



US00D338792S

United States Patent [19]

[11] Patent Number: **Des. 338,792**

Chap et al.

[45] Date of Patent: **** Aug. 31, 1993**

[54] **SHELF**

[75] Inventors: **John P. Chap, Lemont; Steve Slowik, Wheeling; Michael Scola, Roselle; Thomas Gillen, Orland Park, all of Ill.**

[73] Assignee: **Amco Corporation, Chicago, Ill.**

[**] Term: **14 Years**

[21] Appl. No.: **750,017**

[22] Filed: **Aug. 26, 1991**

[52] U.S. Cl. **D6/511**

[58] Field of Search **D6/491, 509-511, D6/512, 475, 462, 466, 574, 429; 248/281.1; 211/88, 90, 126, 134, 135, 153; 108/29, 137-139, 49**

4,079,678	3/1978	Champagne	108/110
4,132,178	1/1979	Mueller et al.	108/144
4,138,953	2/1979	Tashman	108/144
4,158,336	6/1979	Brescia et al.	108/111
4,257,333	3/1981	Pollack	108/144
4,318,352	3/1982	Friedman et al.	108/111
4,467,927	8/1984	Nathan	211/153
4,582,001	4/1986	Leikarts	108/106
4,593,826	6/1986	Bustos	211/187
4,637,323	1/1987	Nicely	108/107
4,685,575	8/1987	Kulbersh	211/90 X
4,706,576	11/1987	James	108/111
4,811,670	3/1989	Kolvites	108/107
4,815,394	3/1989	Ehlinger	108/111

Primary Examiner—Nelson C. Holtje
Assistant Examiner—J. E. Seeger
Attorney, Agent, or Firm—Laff, Whitesel, Conte & Saret

[56] **References Cited**

U.S. PATENT DOCUMENTS

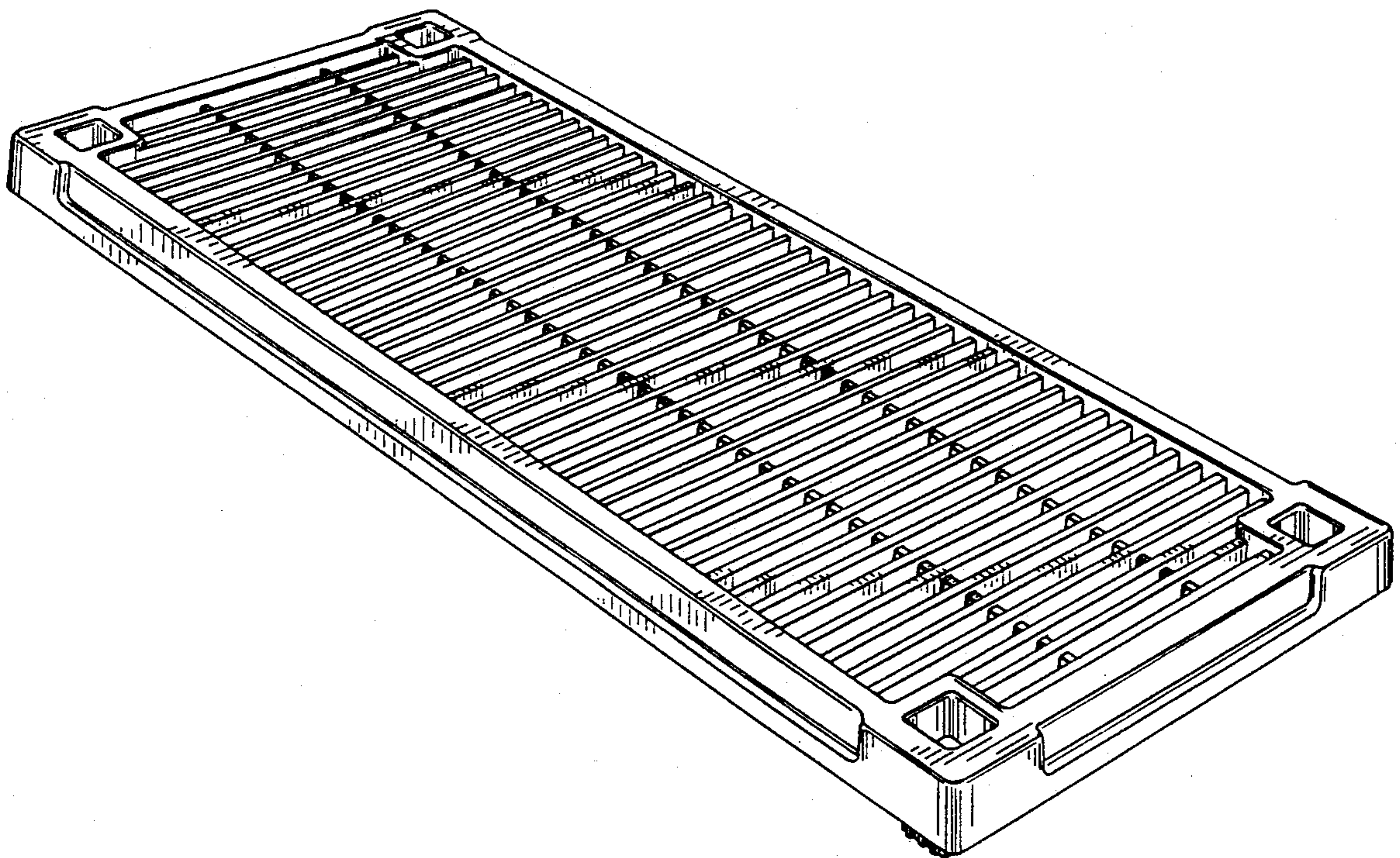
D. 289,479	4/1987	Brancher	D6/511
D. 312,545	12/1990	Cohn	D6/511
D. 326,579	6/1992	Leeds	D6/511
D. 333,059	2/1993	Cohn et al.	D6/511
3,323,656	6/1967	Weiss et al.	211/153
3,523,508	8/1970	Maslow	108/144
3,604,369	9/1971	Maslow	108/144
3,845,864	11/1974	Heinrich	211/153
3,874,511	4/1975	Maslow	211/153
3,927,769	12/1975	Maslow	211/153
4,015,545	4/1977	Kurokawa	108/107

[57] **CLAIM**

The ornamental design for a shelf, as shown and described.

DESCRIPTION

FIG. 1 is a top perspective view of a shelf showing our new design;
FIG. 2 is a top plan view thereof;
FIG. 3 is a side elevational view thereof;
FIG. 4 is an end elevational view thereof;
FIG. 5 is a bottom plan view thereof; and,
FIG. 6 is a partial top perspective view showing a corner portion thereof.



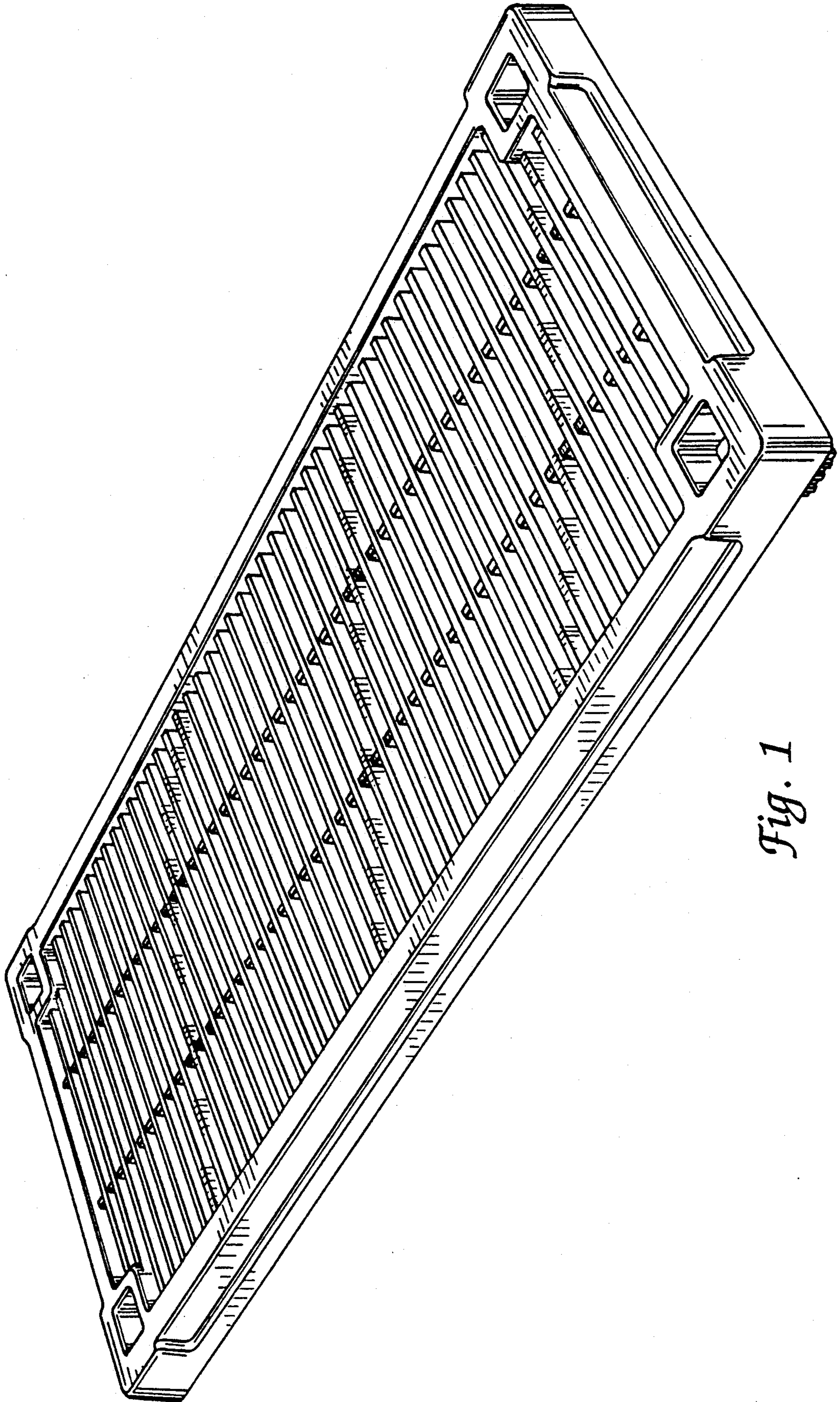


Fig. 1

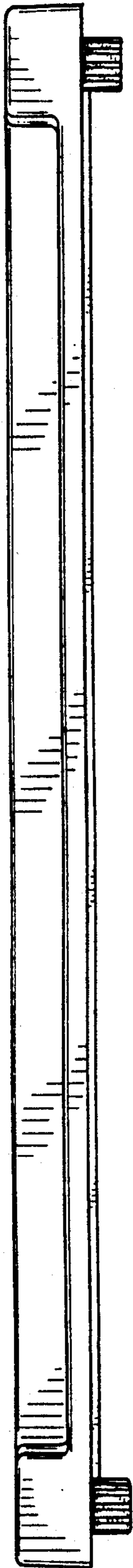


Fig. 3

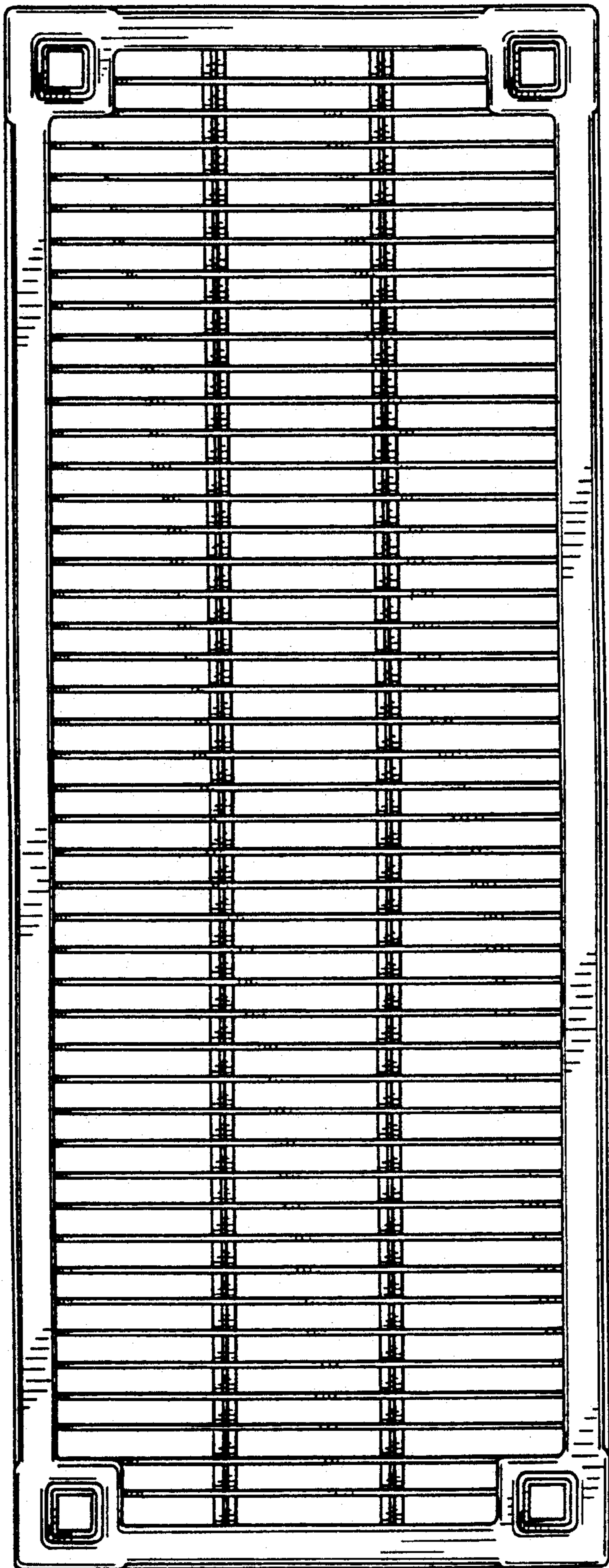


Fig. 2

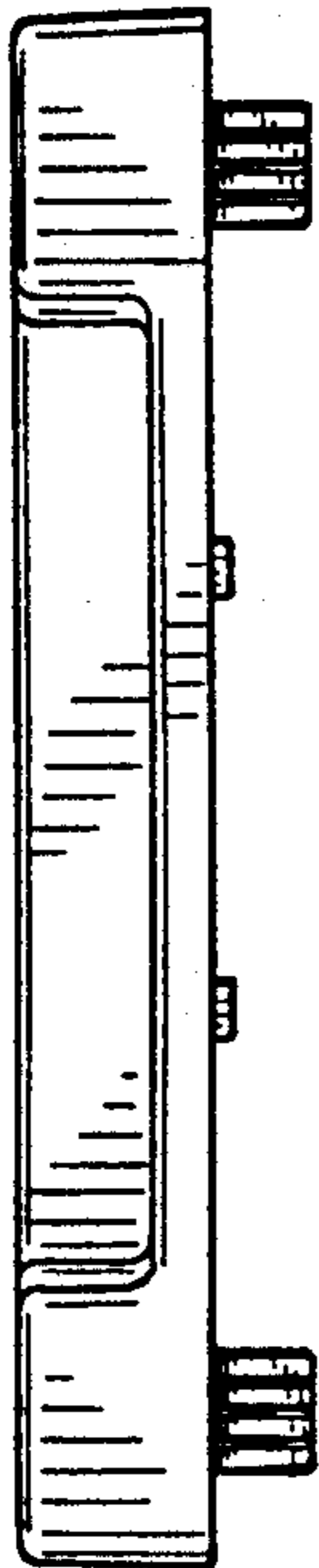


Fig. 4

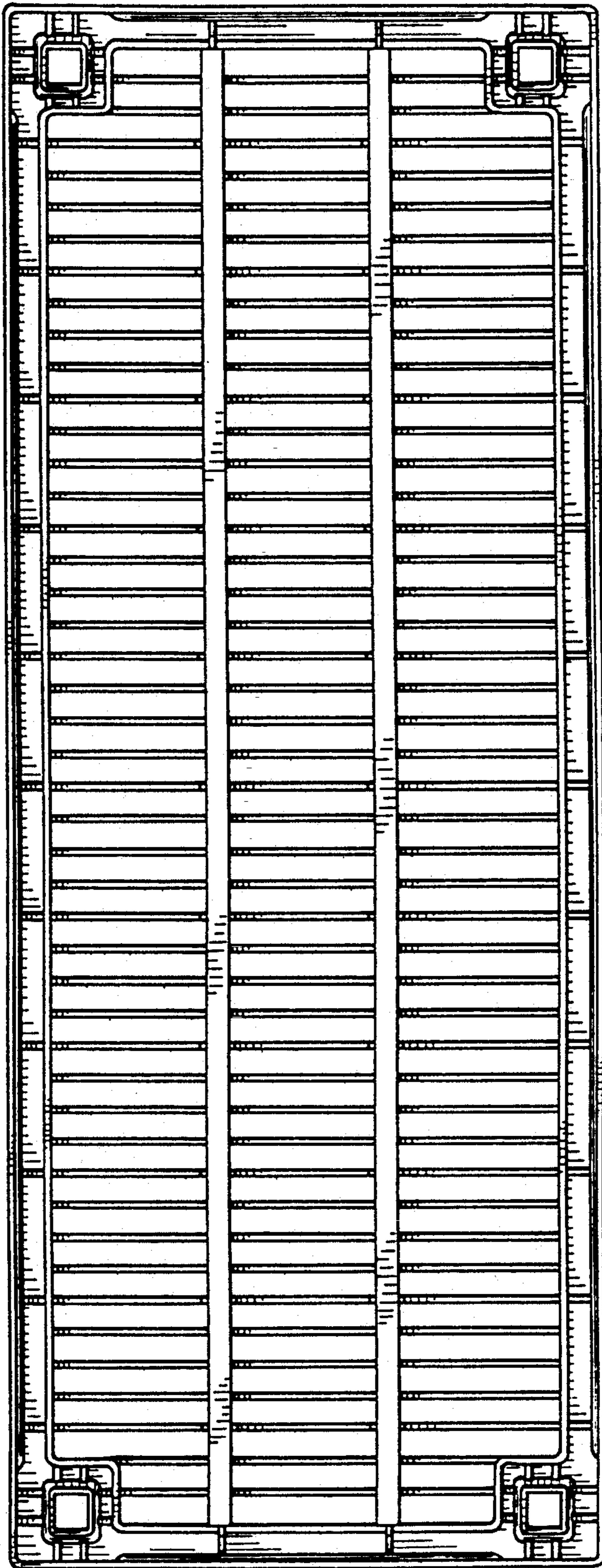


Fig. 5

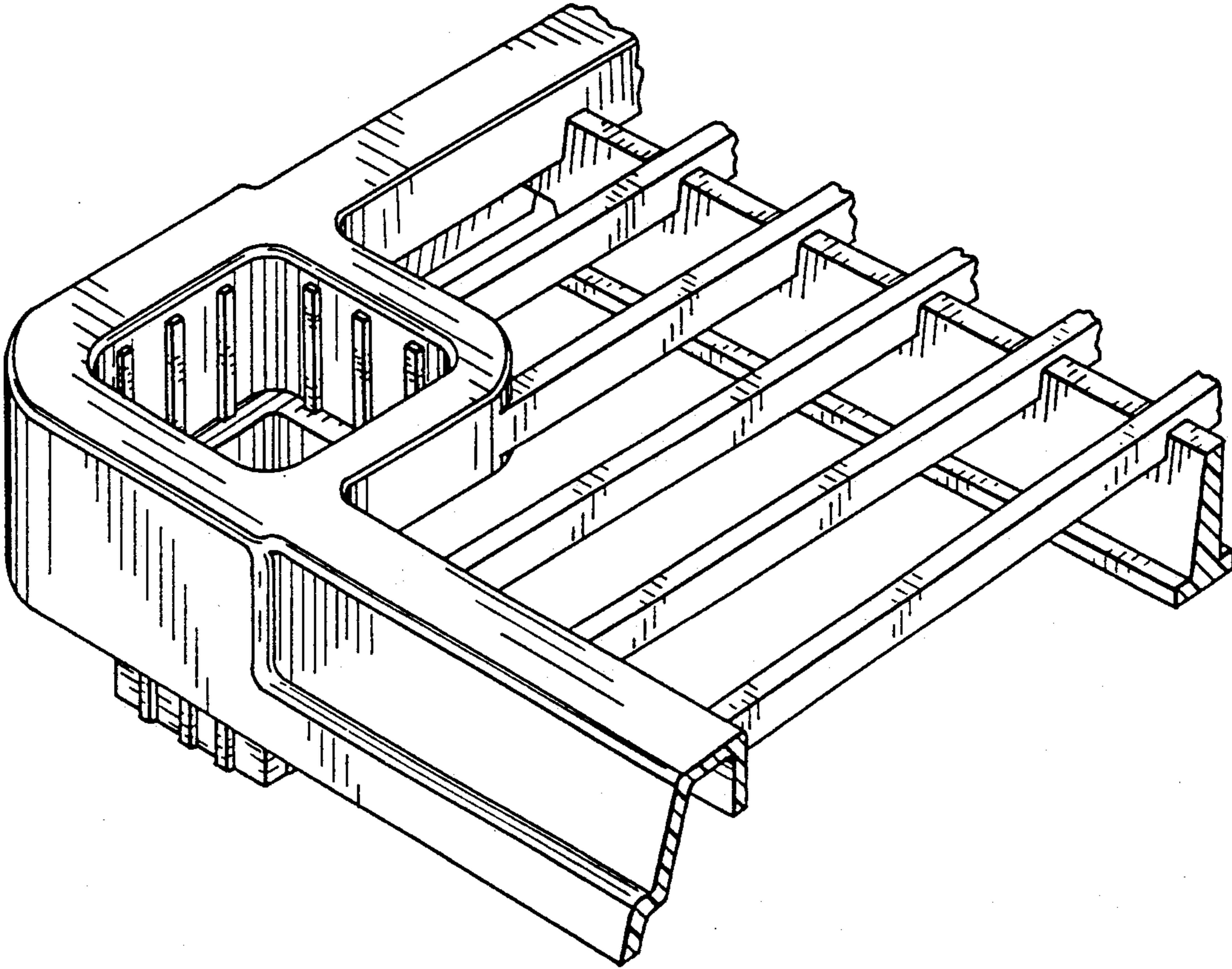


Fig. 6