



US00D338791S

# United States Patent [19]

[11] Patent Number: **Des. 338,791**

Cohen

[45] Date of Patent: **\*\* Aug. 31, 1993**

[54] **ARM FOR FOLDING BEACH CHAIR**

[75] Inventor: **Warren Cohen, Merion, Pa.**

[73] Assignee: **All-Luminum Products, Inc., Philadelphia, Pa.**

[\*\*] Term: **14 Years**

[21] Appl. No.: **734,875**

[22] Filed: **Jul. 24, 1991**

[52] U.S. Cl. .... **D6/501**

[58] Field of Search ..... **D6/500-502, D6/491, 334, 374, 375, 379, 380, 368; 297/411, 412, 422, 219; 248/118**

[56] **References Cited**

**U.S. PATENT DOCUMENTS**

D. 172,660	7/1954	Budai	.....	D6/368
D. 180,975	9/1957	Umanoff	.....	D6/501 X
D. 217,601	5/1970	Borichevsky	.....	D6/368
2,690,212	9/1954	Jakeway	.....	297/422 X

*Primary Examiner*—Nelson C. Holtje  
*Assistant Examiner*—J. E. Seeger  
*Attorney, Agent, or Firm*—Stanley Bilker

[57] **CLAIM**

The ornamental design for an arm for folding beach chair, as shown and described.

**DESCRIPTION**

FIG. 1 is a bottom perspective view of an arm for folding beach chair embodying my new design, the right hand arm being shown, the left hand arm being the mirror image thereof;

FIG. 2 is a front end elevational view thereof;

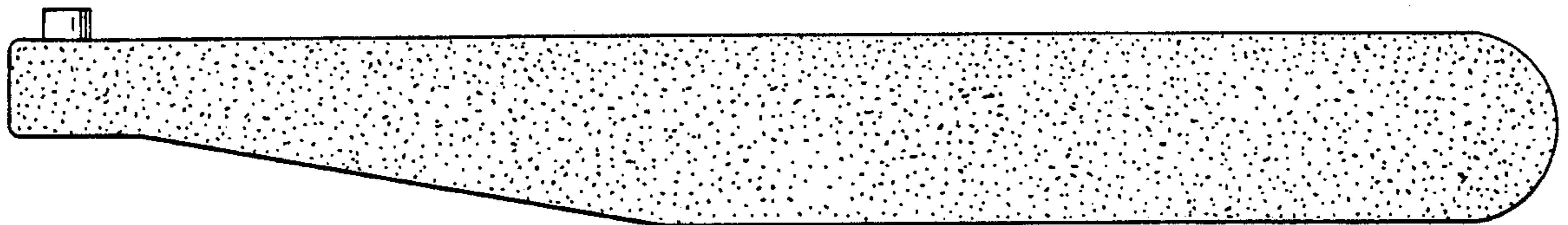
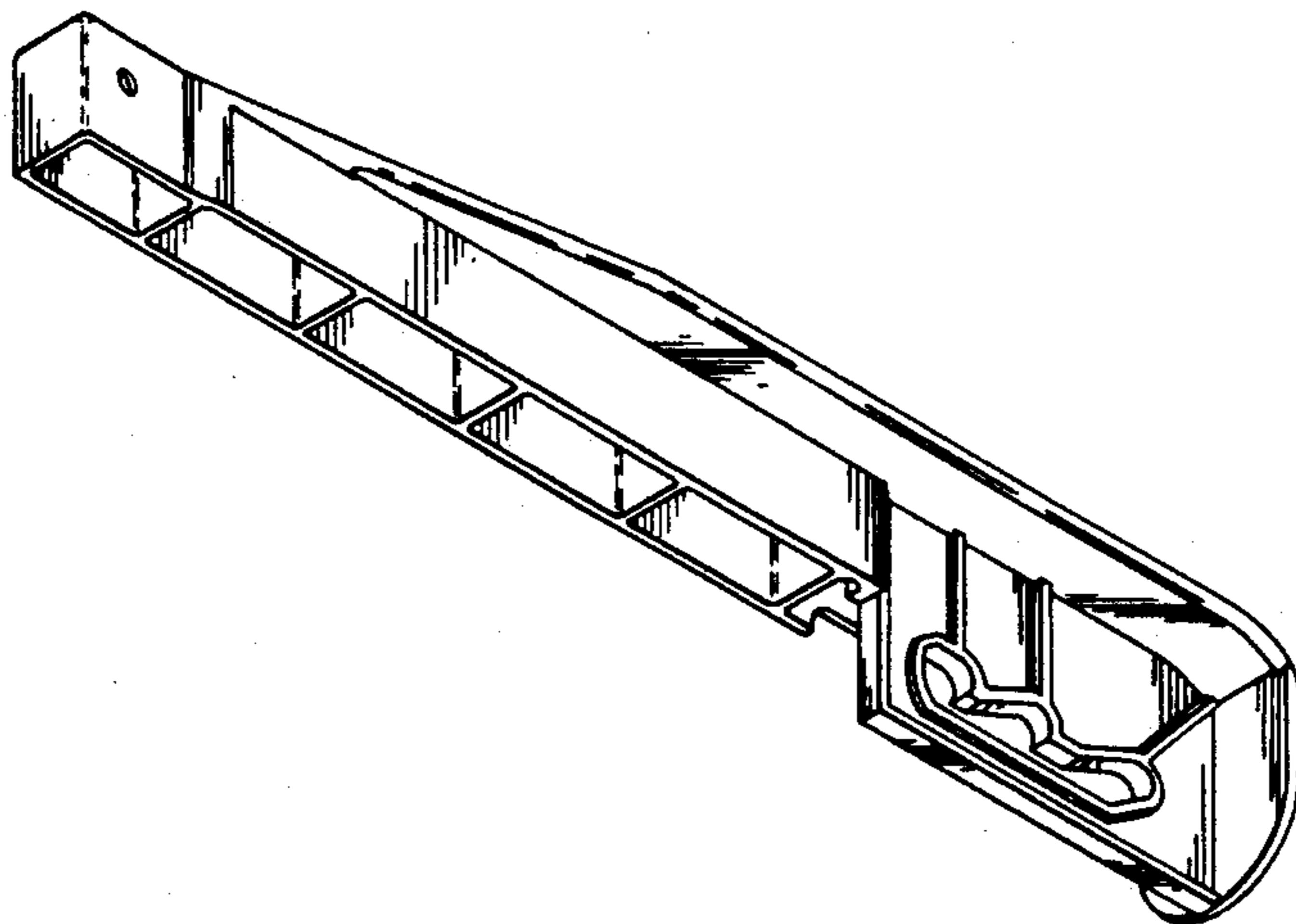
FIG. 3 is a rear end elevational view thereof;

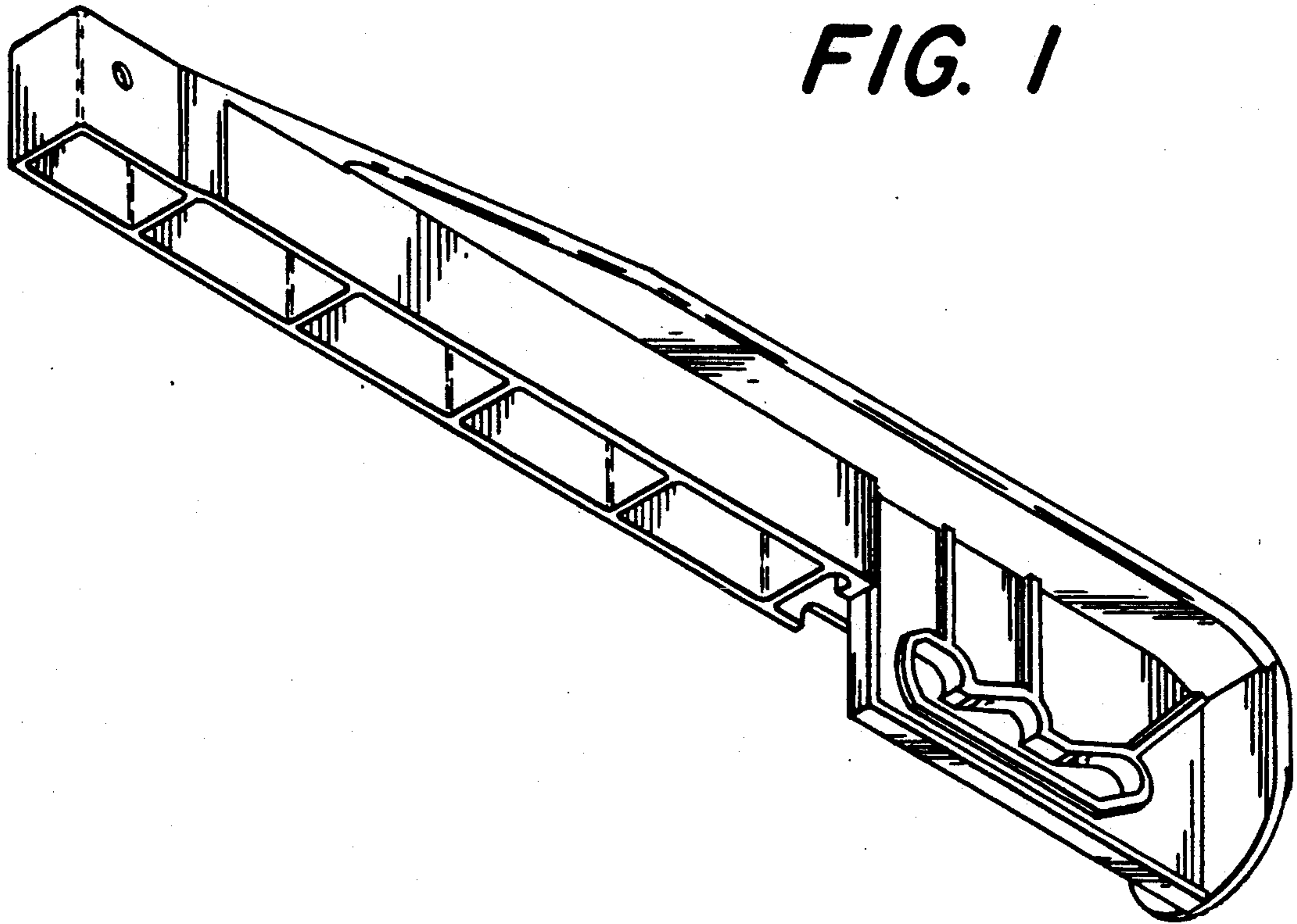
FIG. 4 is a side elevational view of the side exposed in FIG. 1;

FIG. 5 is a side elevational view of the side opposite to that shown in FIG. 4;

FIG. 6 is a top plan view thereof; and,

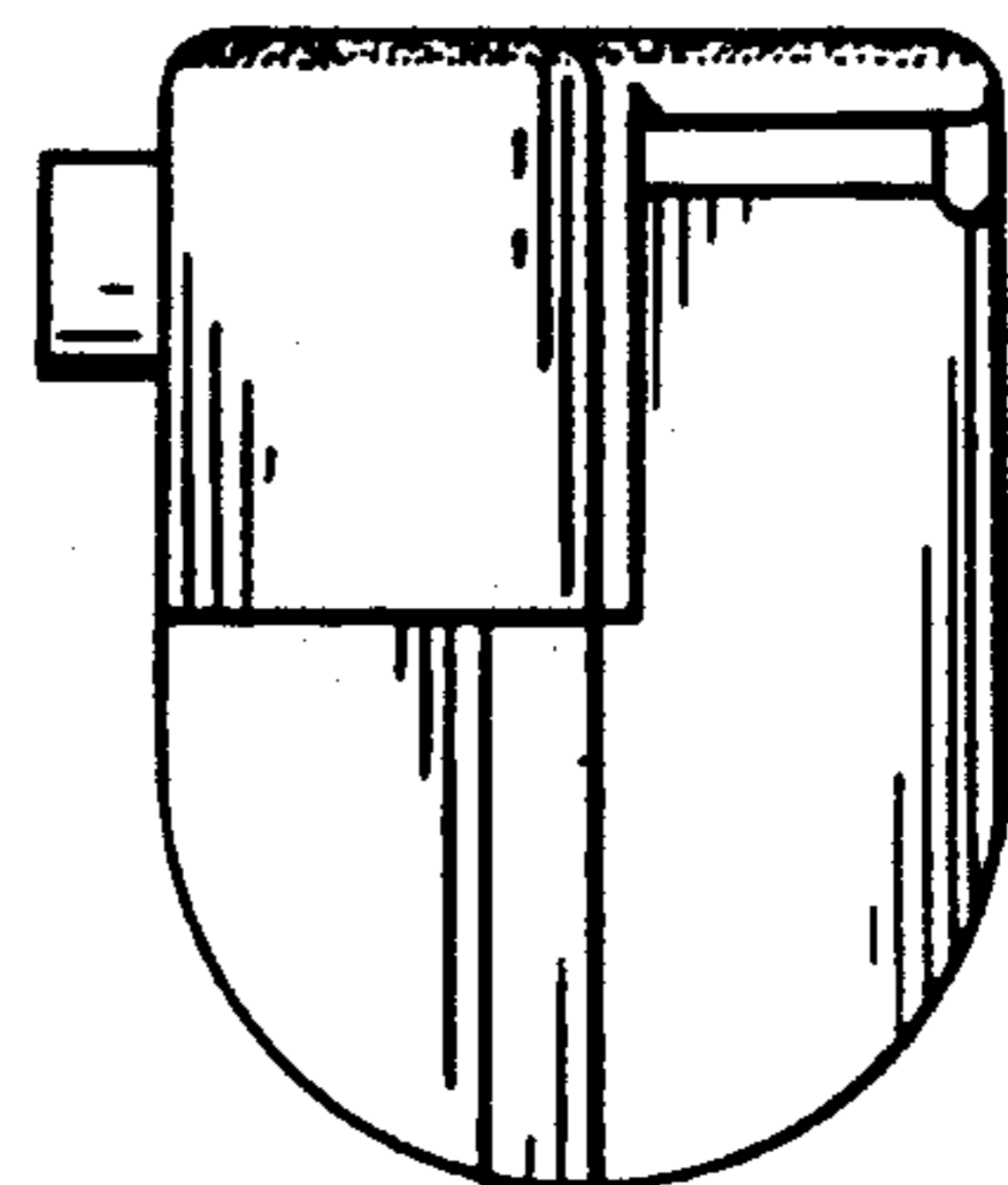
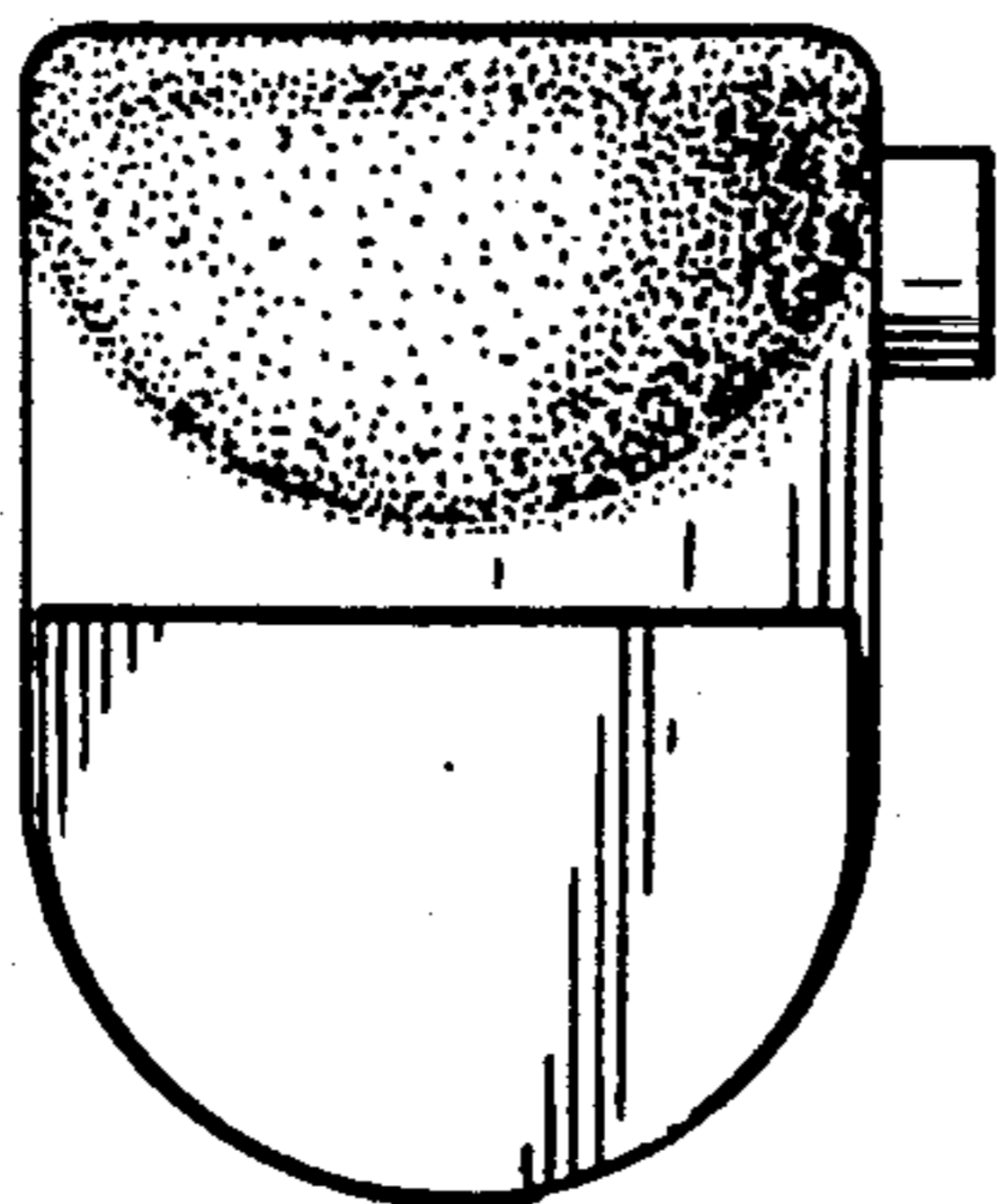
FIG. 7 is a bottom plan view thereof.



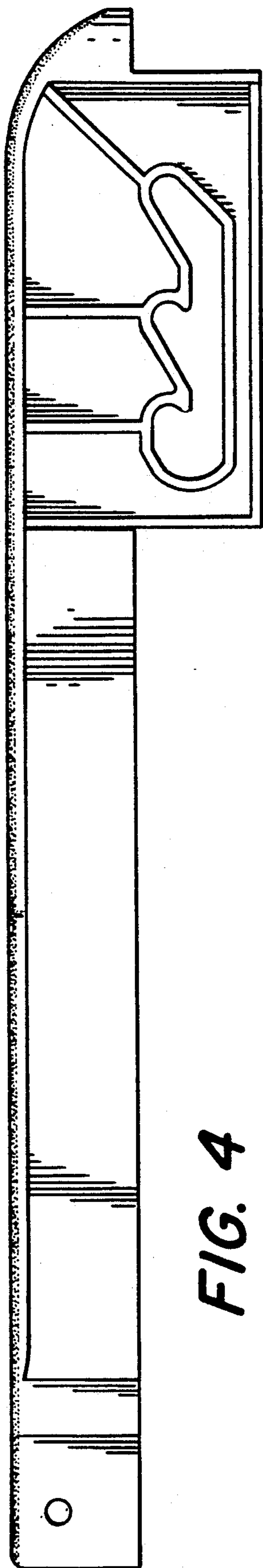


**FIG. 1**

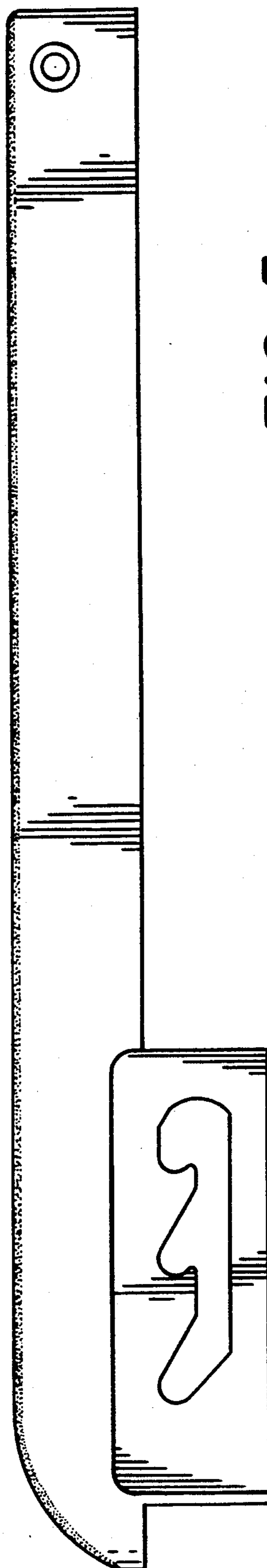
**FIG. 2**



**FIG. 3**



**FIG. 4**



**FIG. 5**

FIG. 6

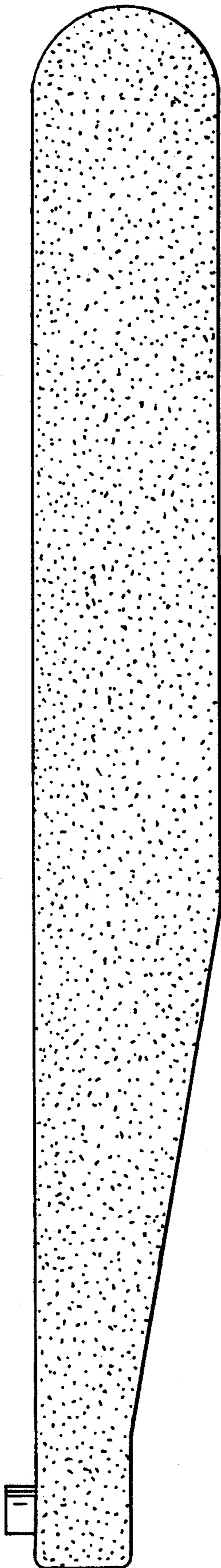


FIG. 7

