



US00D338786S

# United States Patent [19]

[11] Patent Number: **Des. 338,786**

**Mattikow**

[45] Date of Patent: **\*\* Aug. 31, 1993**

[54] **DESIGN FOR CASSETTE HOLDER**

D. 136,165 8/1943 Reach ..... D6/348

[75] Inventor: **Nina Mattikow, Greenwich, Conn.**

D. 140,510 3/1945 MacCullum ..... D21/134

D. 286,475 11/1986 Mens ..... D6/404

[73] Assignee: **Great American Audio Corp., New Rochelle, N.Y.**

*Primary Examiner*—Carmen H. Vales-Lado

*Attorney, Agent, or Firm*—Bryan Cave

[\*\*] Term: **14 Years**

### [57] CLAIM

[21] Appl. No.: **687,312**

The ornamental design for a cassette holder as shown and described.

[22] Filed: **Apr. 18, 1991**

### DESCRIPTION

[52] U.S. Cl. .... **D6/407; D6/450; D6/475**

[58] Field of Search ..... **D6/407, 404, 449-467, D6/475, 348; 312/9.1, 204; 206/387; D7/631, 632, 634; D21/134, 140; 211/40-42**

FIG. 1 is a perspective view of a cassette holder showing my new design, the broken lines showing cassettes are for illustrative purposes only;

FIG. 2 is a rear elevational view thereof;

FIG. 3 is a side elevational view, the opposite side being a mirror image thereof;

FIG. 4 is a top plan view thereof;

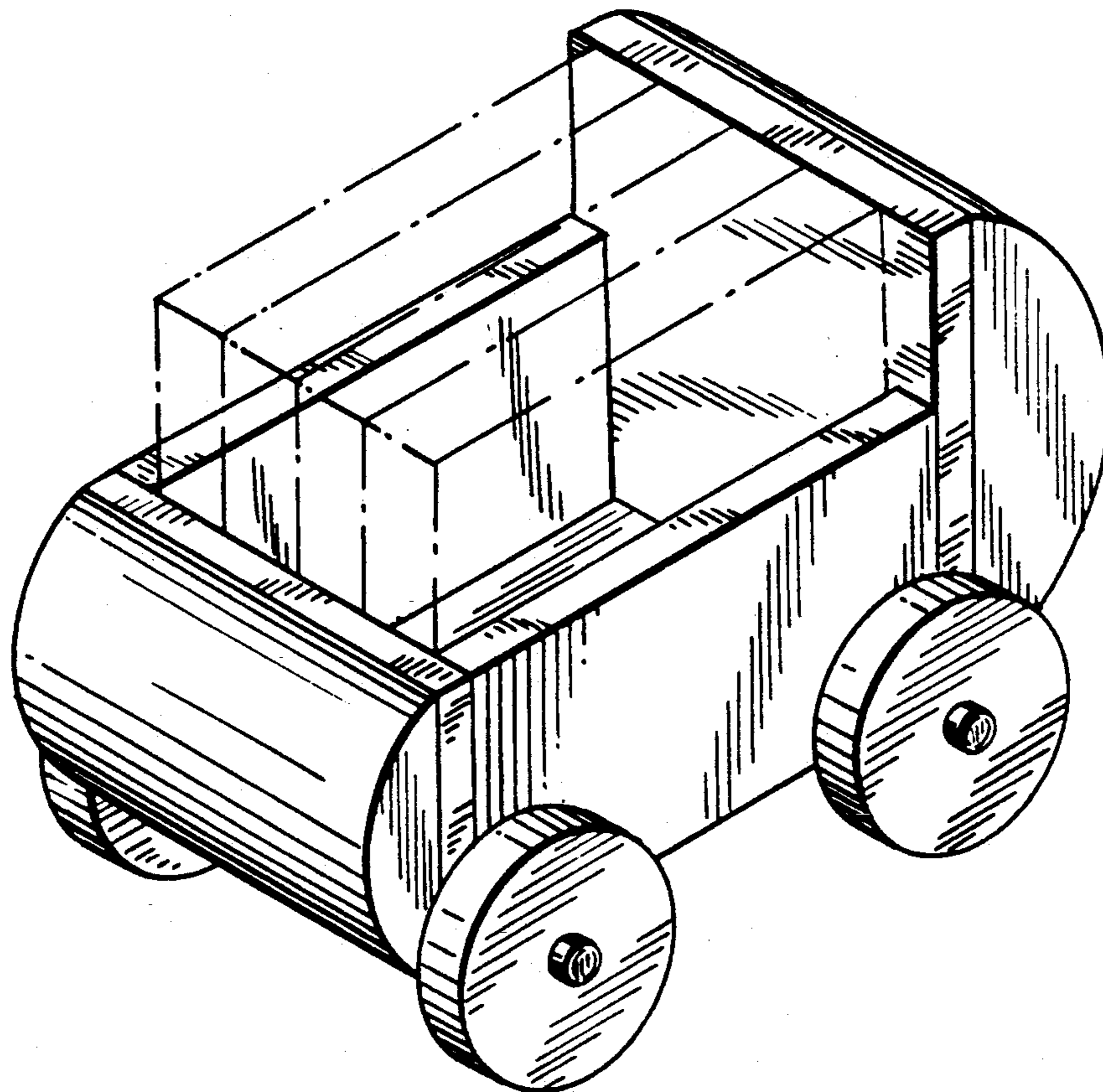
FIG. 5 is a front elevational view thereof; and,

FIG. 6 is a bottom plan view thereof.

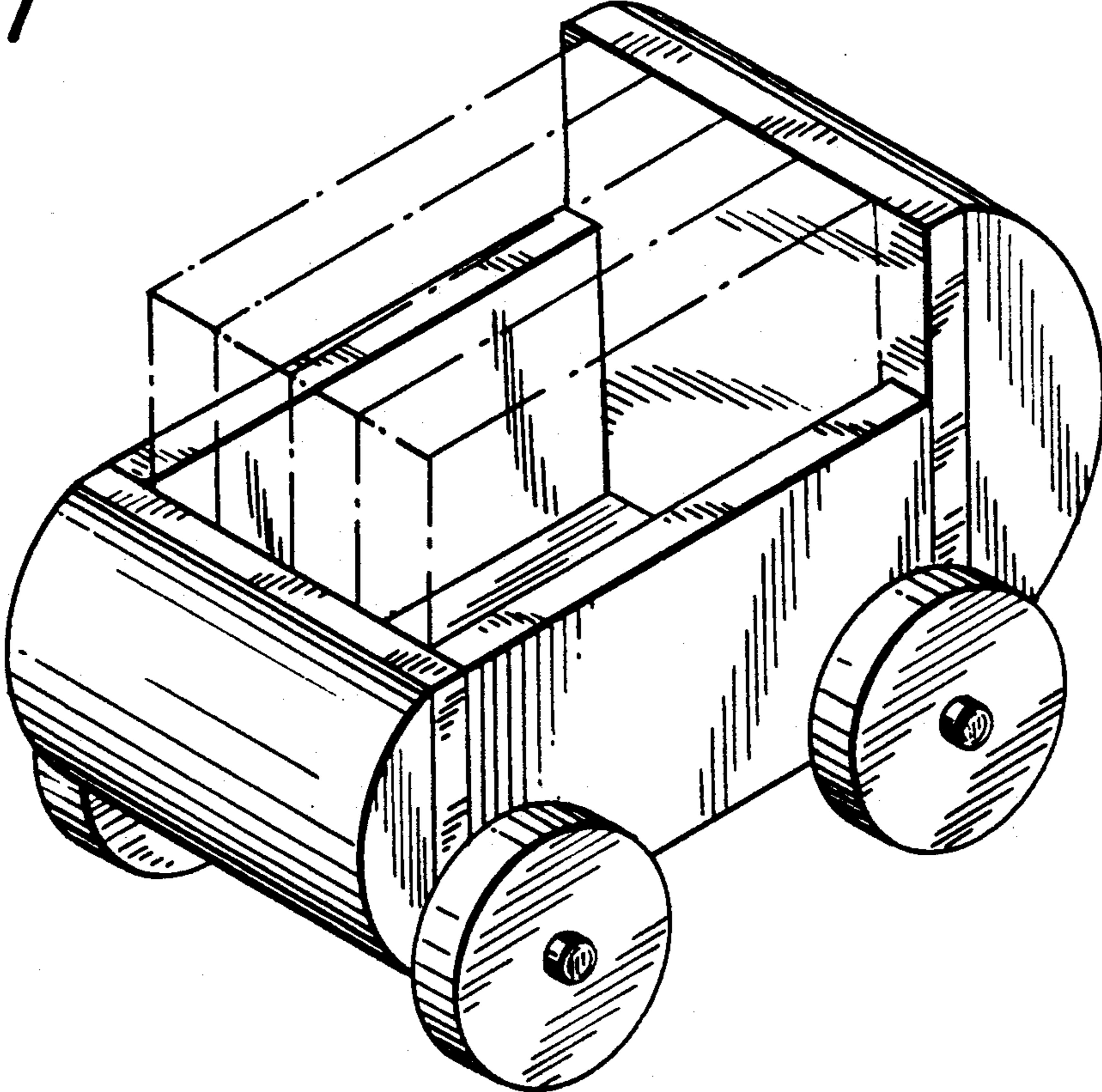
### [56] References Cited

#### U.S. PATENT DOCUMENTS

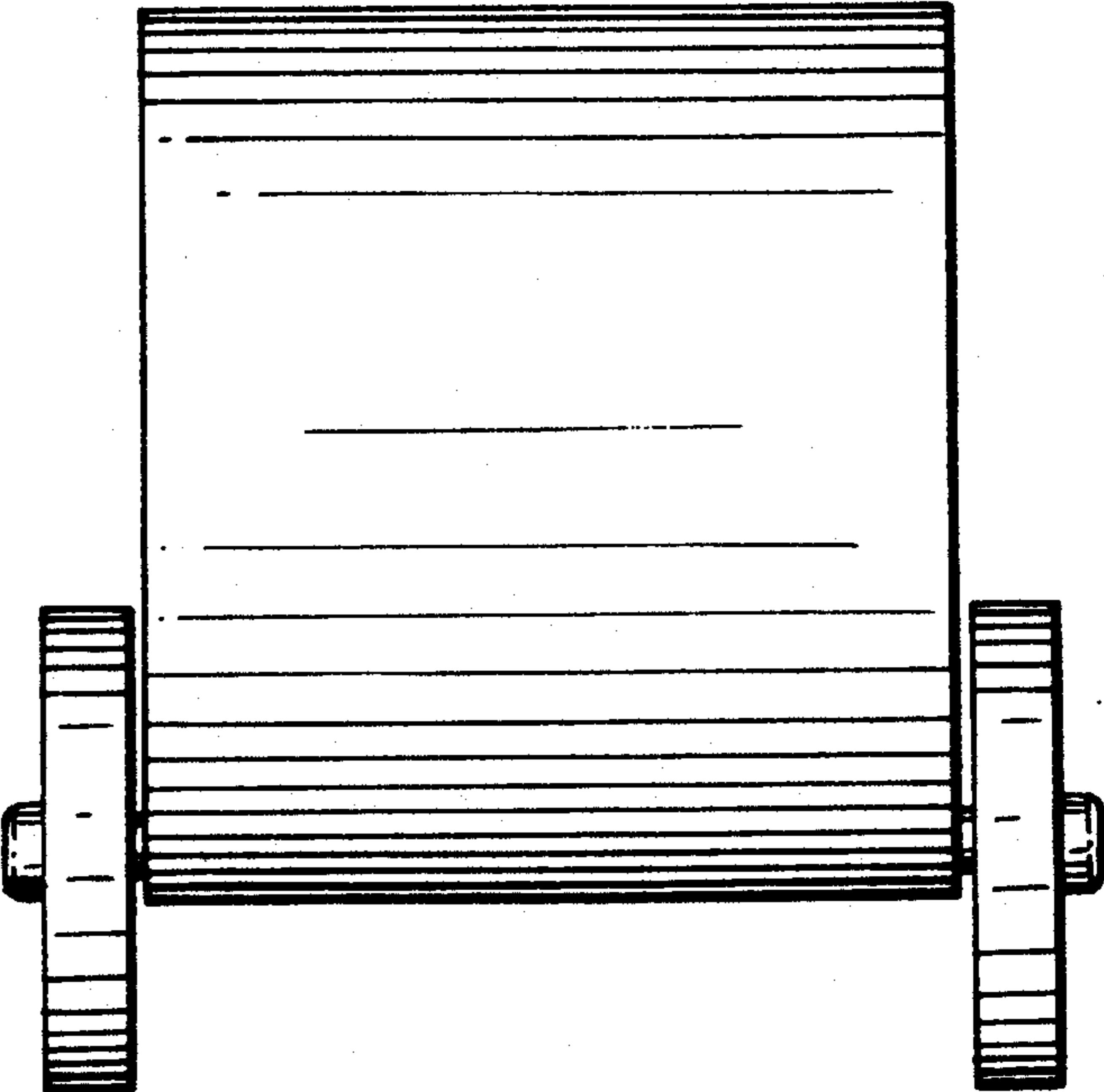
D. 62,173 4/1923 Pearson ..... D21/134



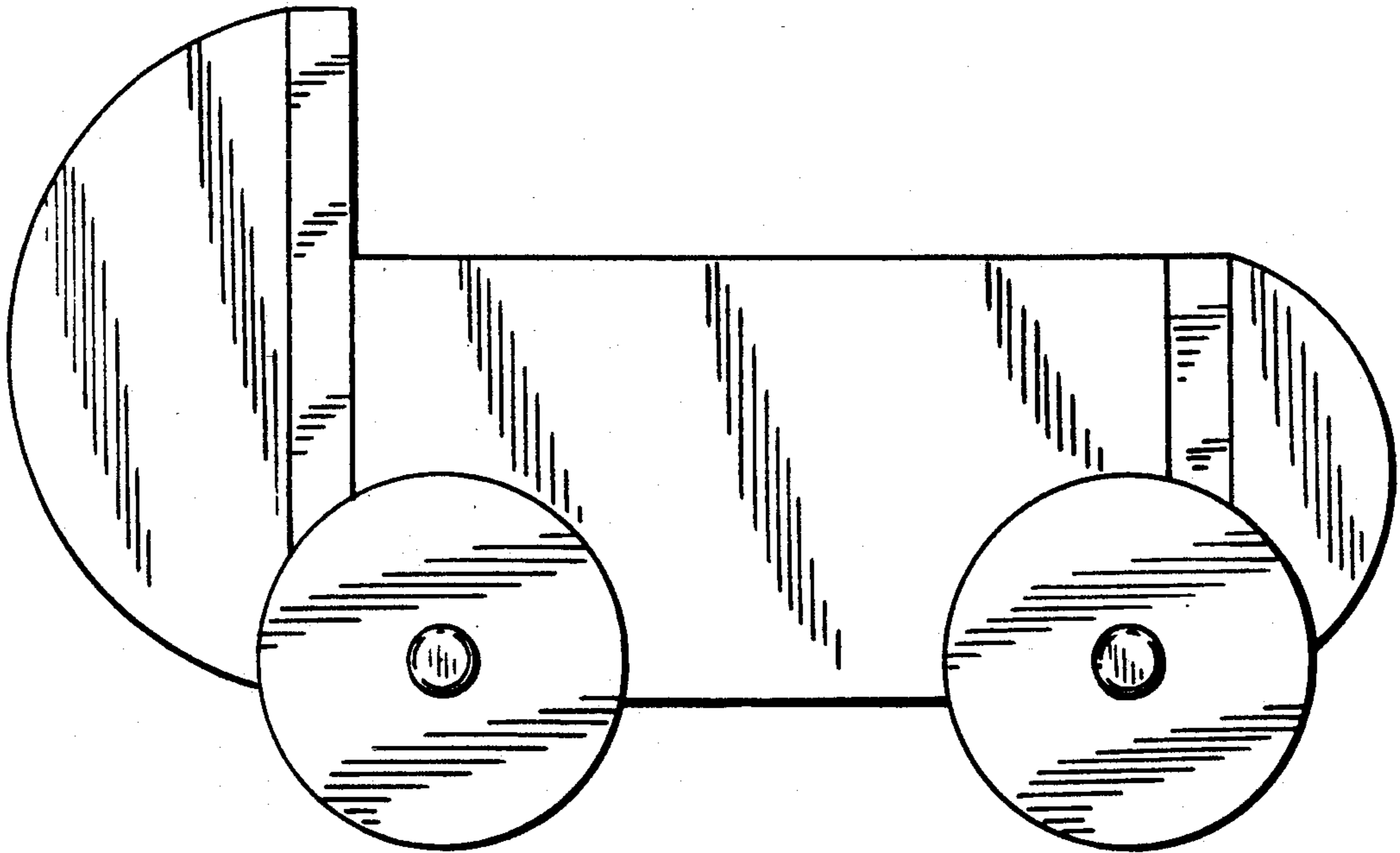
*FIG. 1*



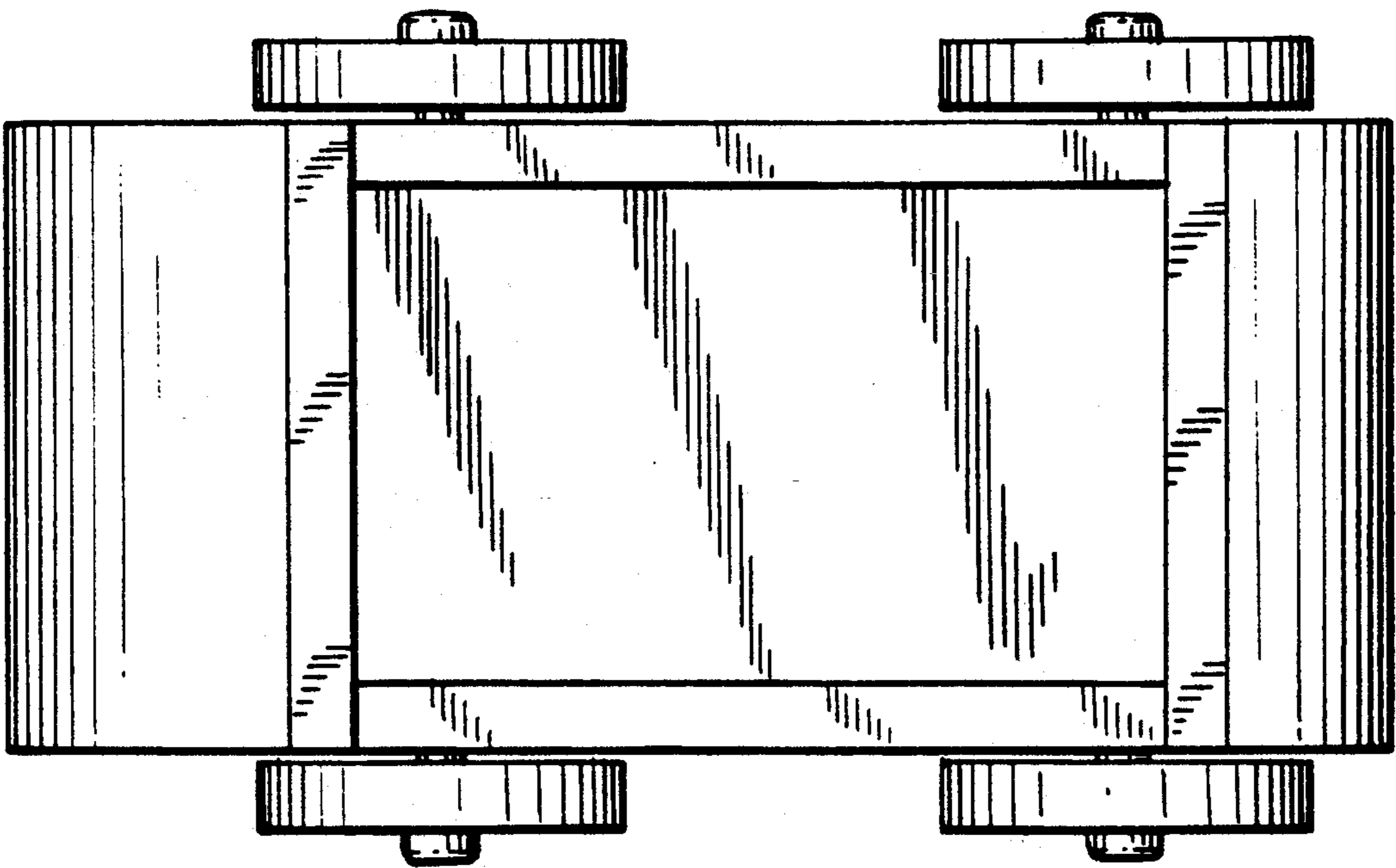
*FIG. 2*



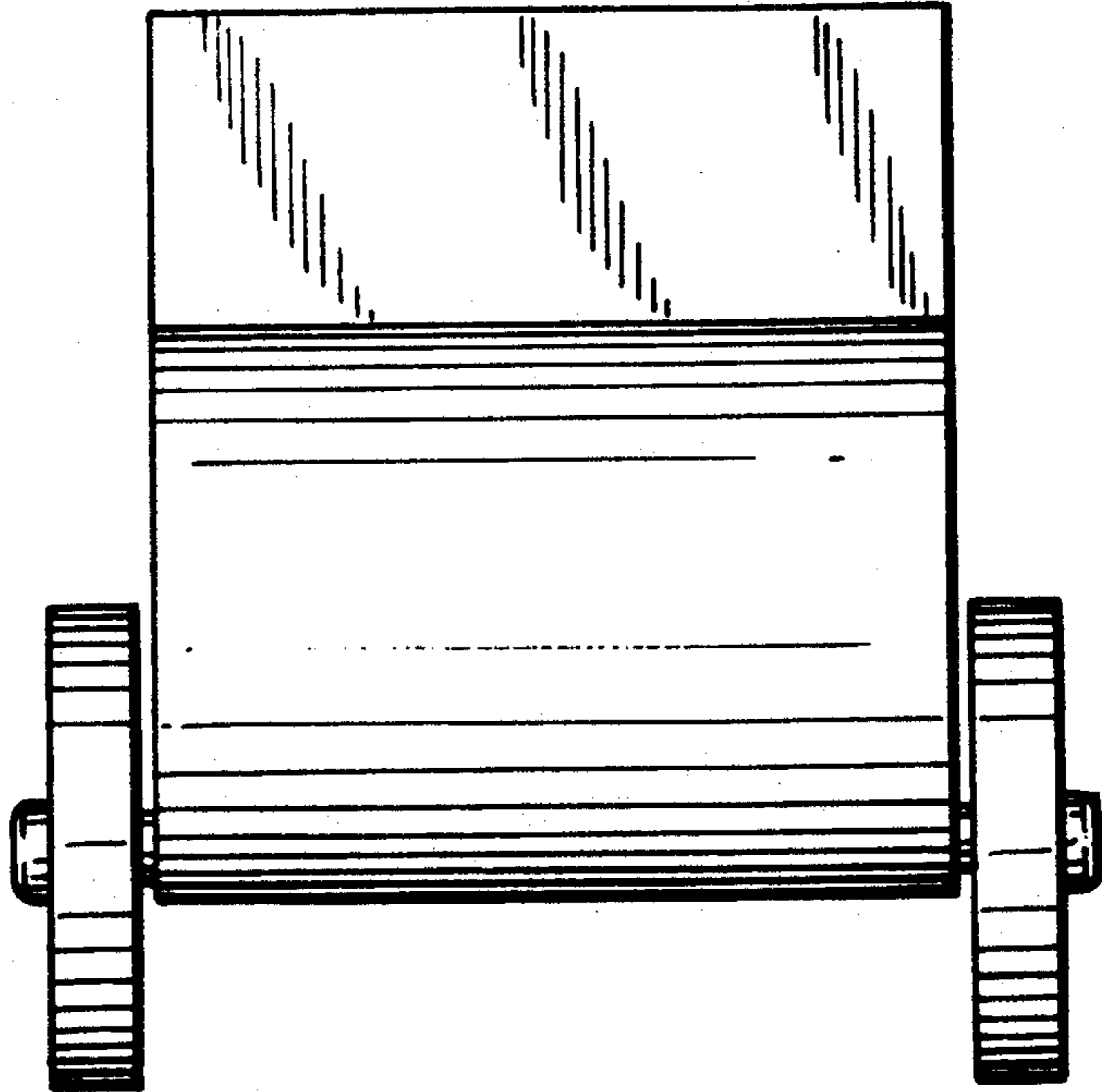
*FIG. 3*



*FIG. 4*



**FIG. 5**



**FIG. 6**

