



US00D338784S

United States Patent [19]

[11] Patent Number: **Des. 338,784**

Martin

[45] Date of Patent: **** Aug. 31, 1993**

[54] **CONCERTO ACTION CHAIR**

D. 270,877 10/1983 Hickey D6/372

[75] Inventor: **Leo Martin, Coconut Grove, Fla.**

OTHER PUBLICATIONS

[73] Assignee: **Miami Metal Products, Inc., Miami, Fla.**

Interstate Metal Products, Dec. 8 1942, p. 31, Chair #3850 at top right.
Design, Apr. 1975, p. 26, Sesam Chair at top right.

[**] Term: **14 Years**

Primary Examiner—Alan P. Douglas
Assistant Examiner—Gary D. Watson

[21] Appl. No.: **734,798**

[57] **CLAIM**

[22] Filed: **Jul. 23, 1991**

The ornamental design for a concerto action chair, as shown and described.

[52] U.S. Cl. **D6/372; D6/379**

[58] Field of Search **D6/334, 344, 372, 374, D6/375, 376, 379, 500, 501, 502; 297/418, 445**

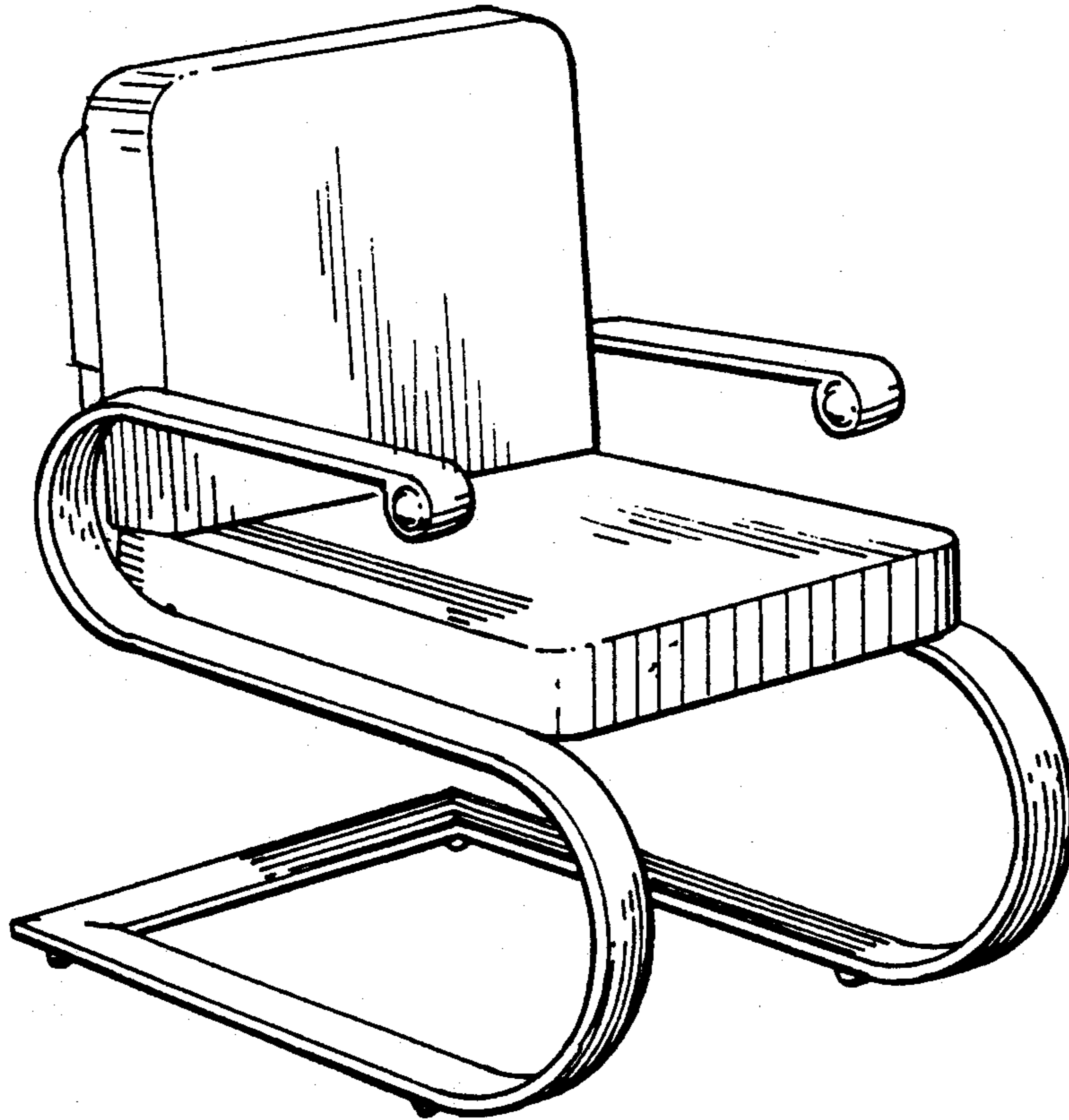
DESCRIPTION

[56] **References Cited**

FIG. 1 is a side view of the present invention;
FIG. 2 is a front elevational view thereof;
FIG. 3 is a top plan view thereof;
FIG. 4 is a back elevational view thereof;
FIG. 5 is a bottom plan view thereof; and,
FIG. 6 is a front perspective view thereof.

U.S. PATENT DOCUMENTS

- D. 264,149 5/1982 Buhk D6/372
- D. 267,524 1/1983 Hickey D6/372
- D. 270,312 8/1983 Hickey D6/372



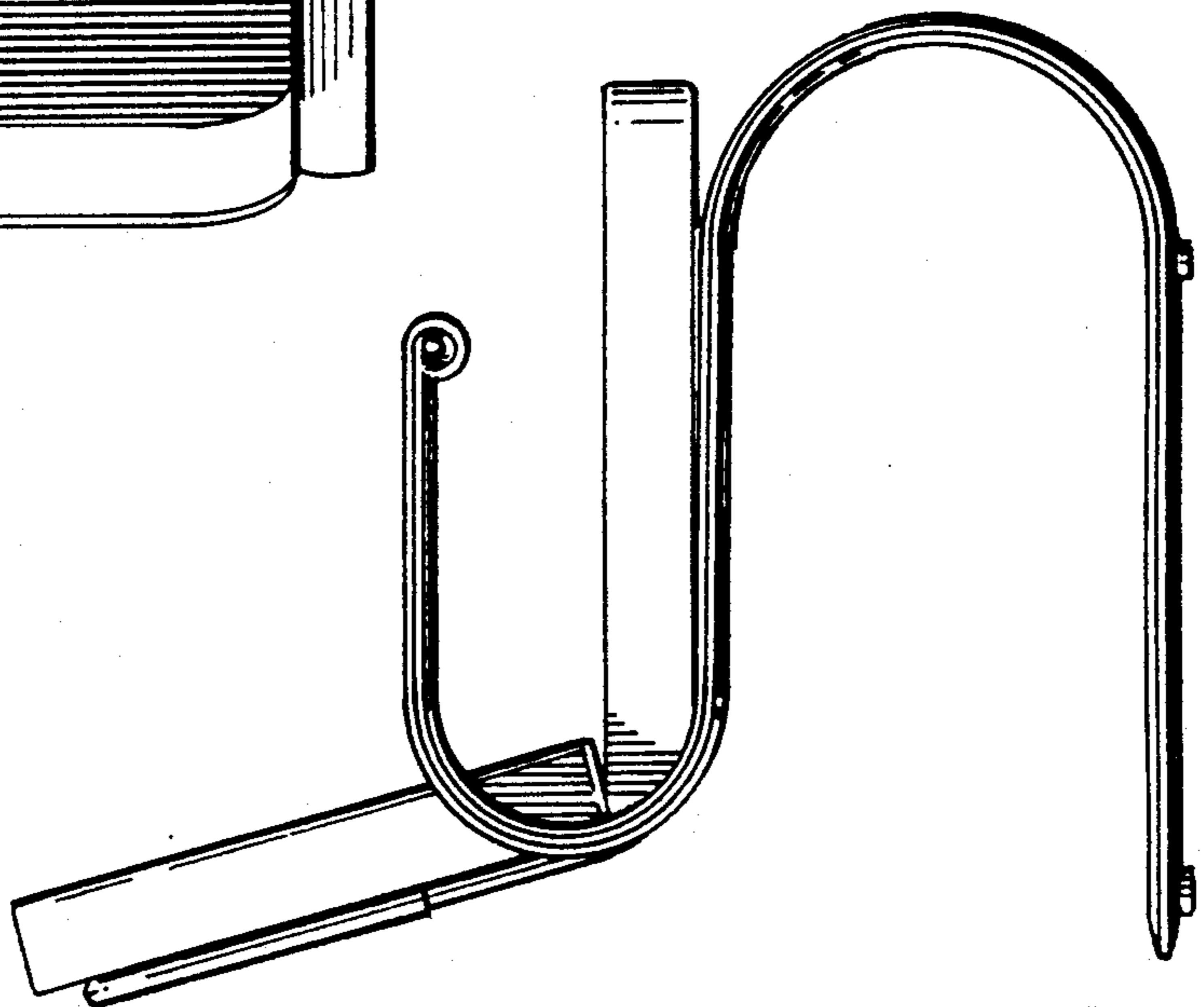


FIG. 1

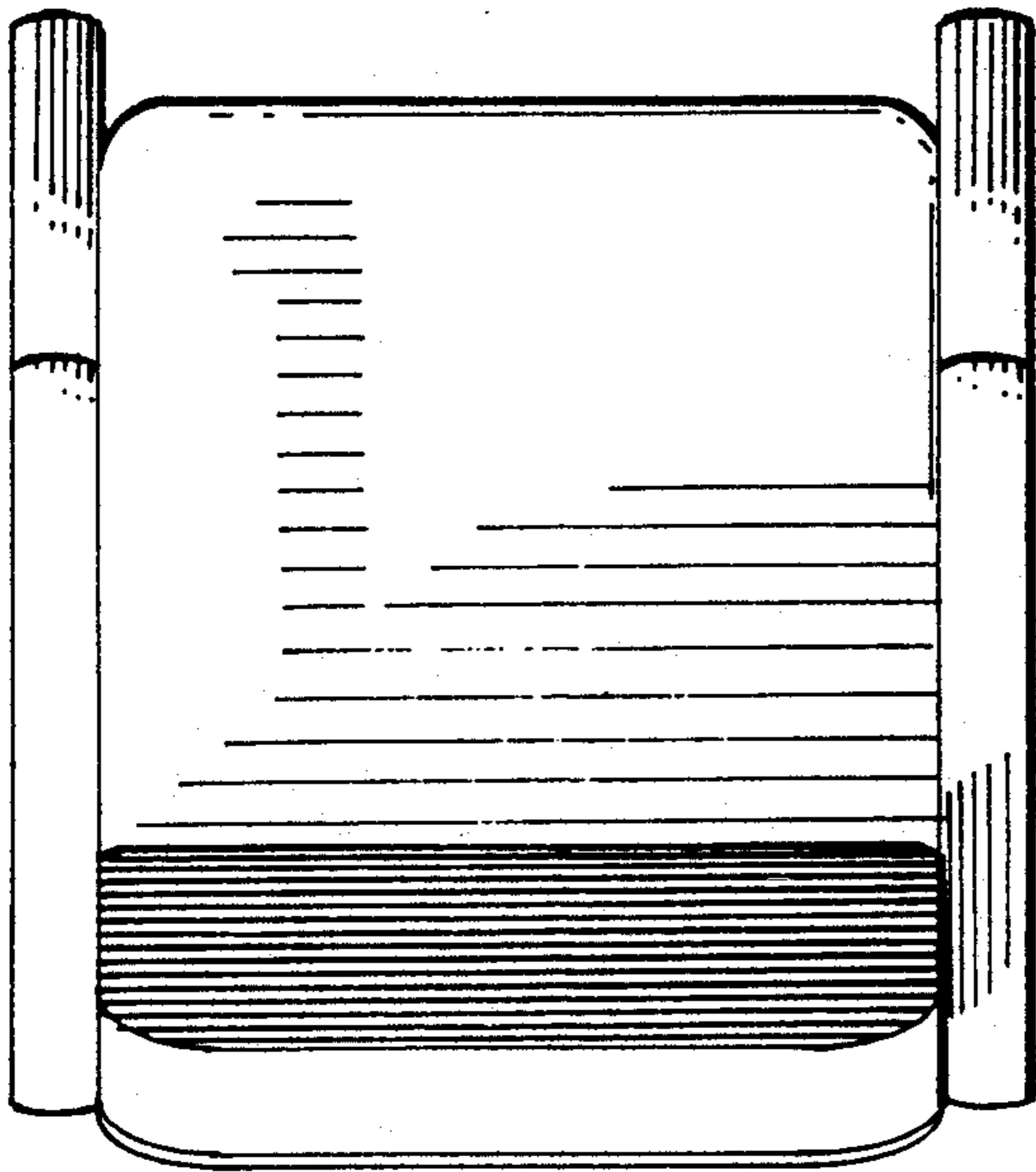


FIG. 3

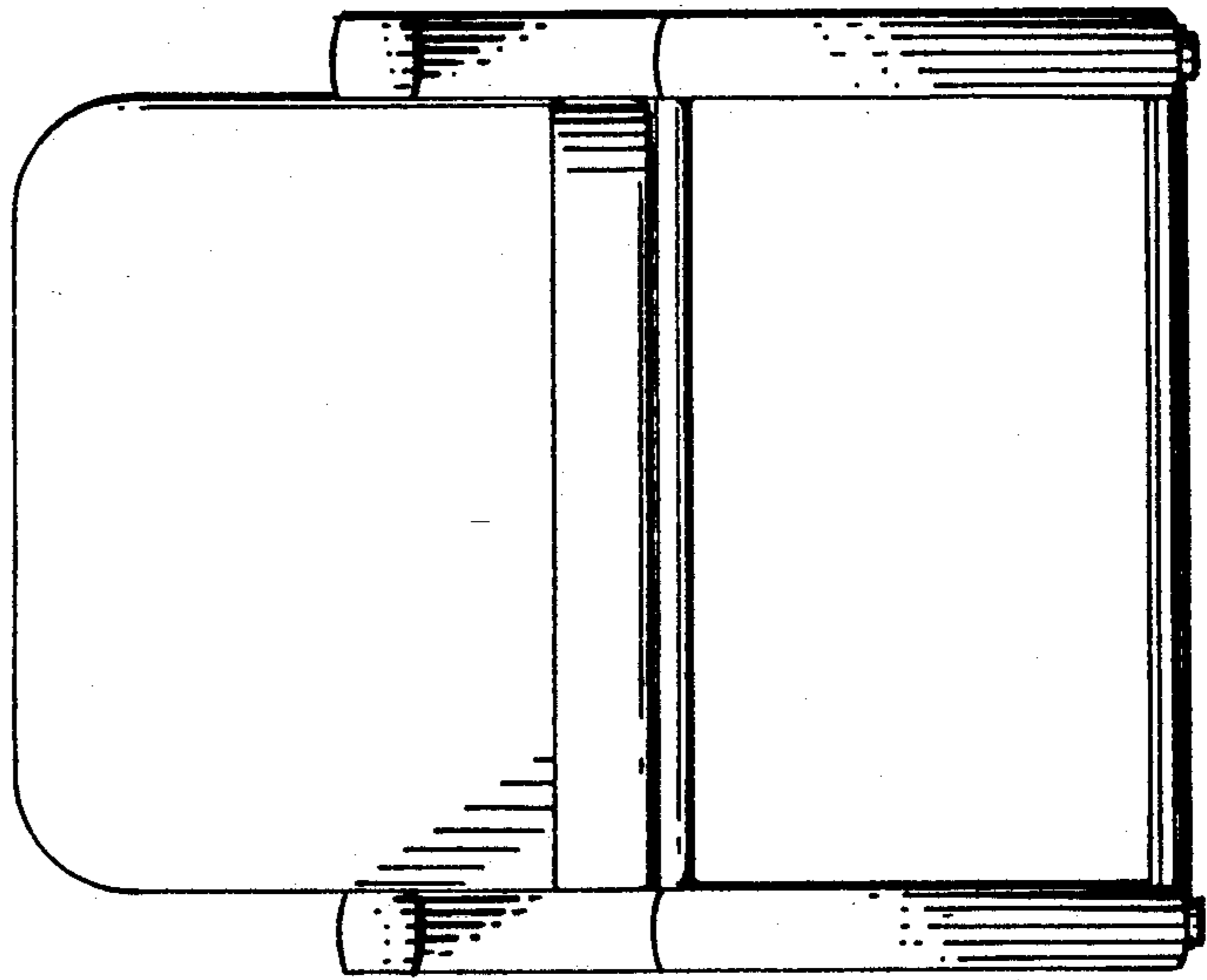


FIG. 2

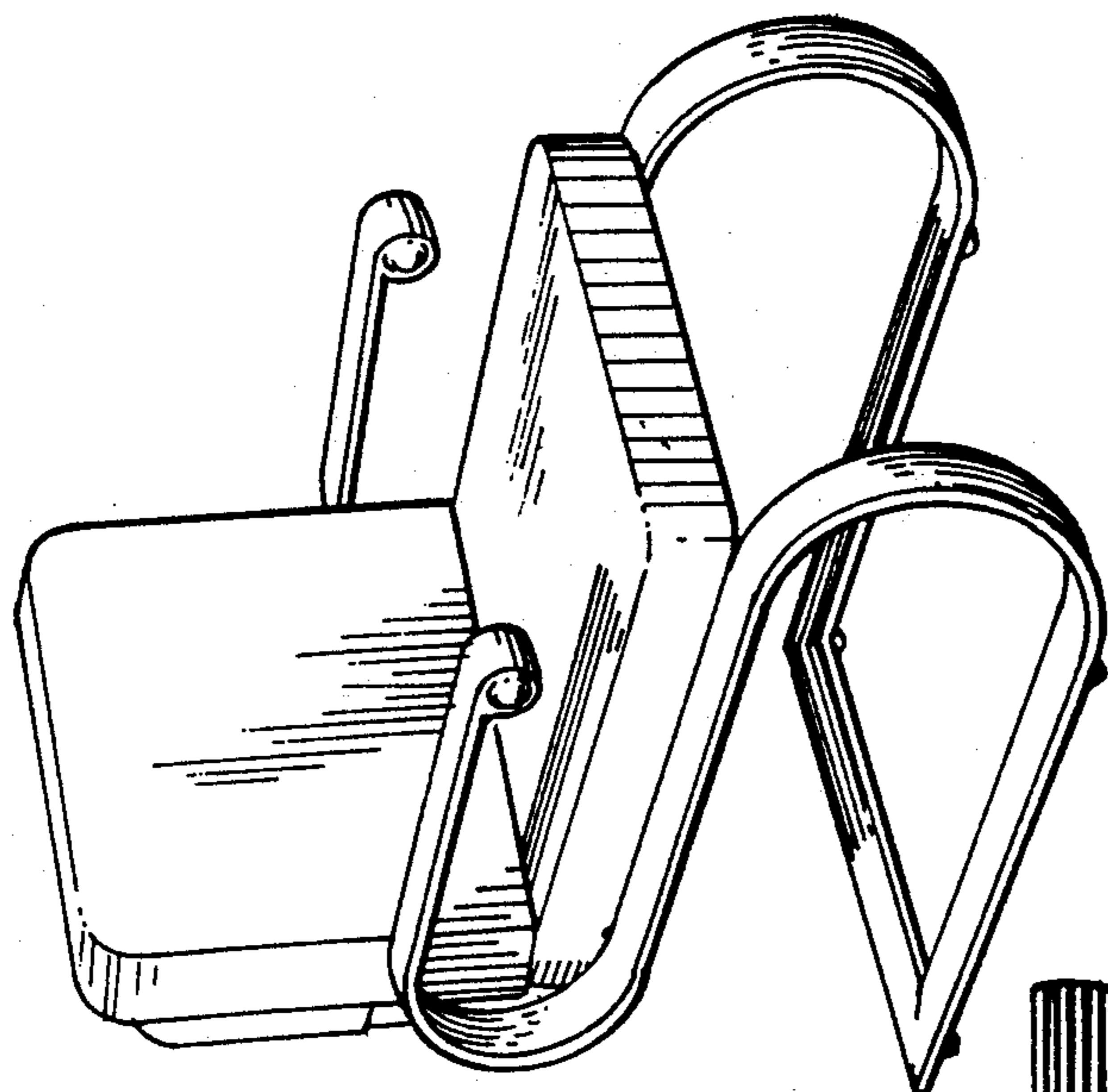


FIG. 6

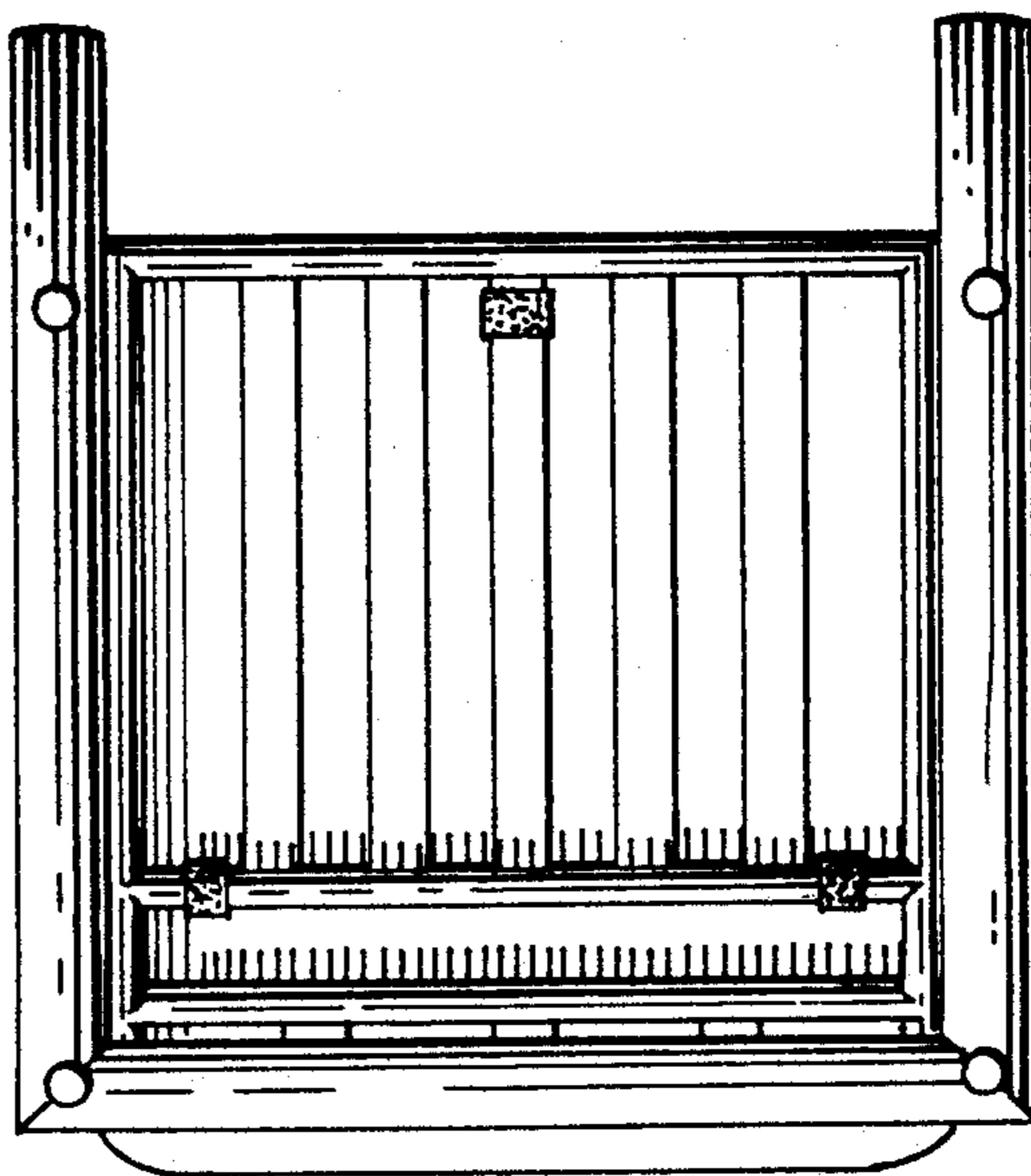


FIG. 5

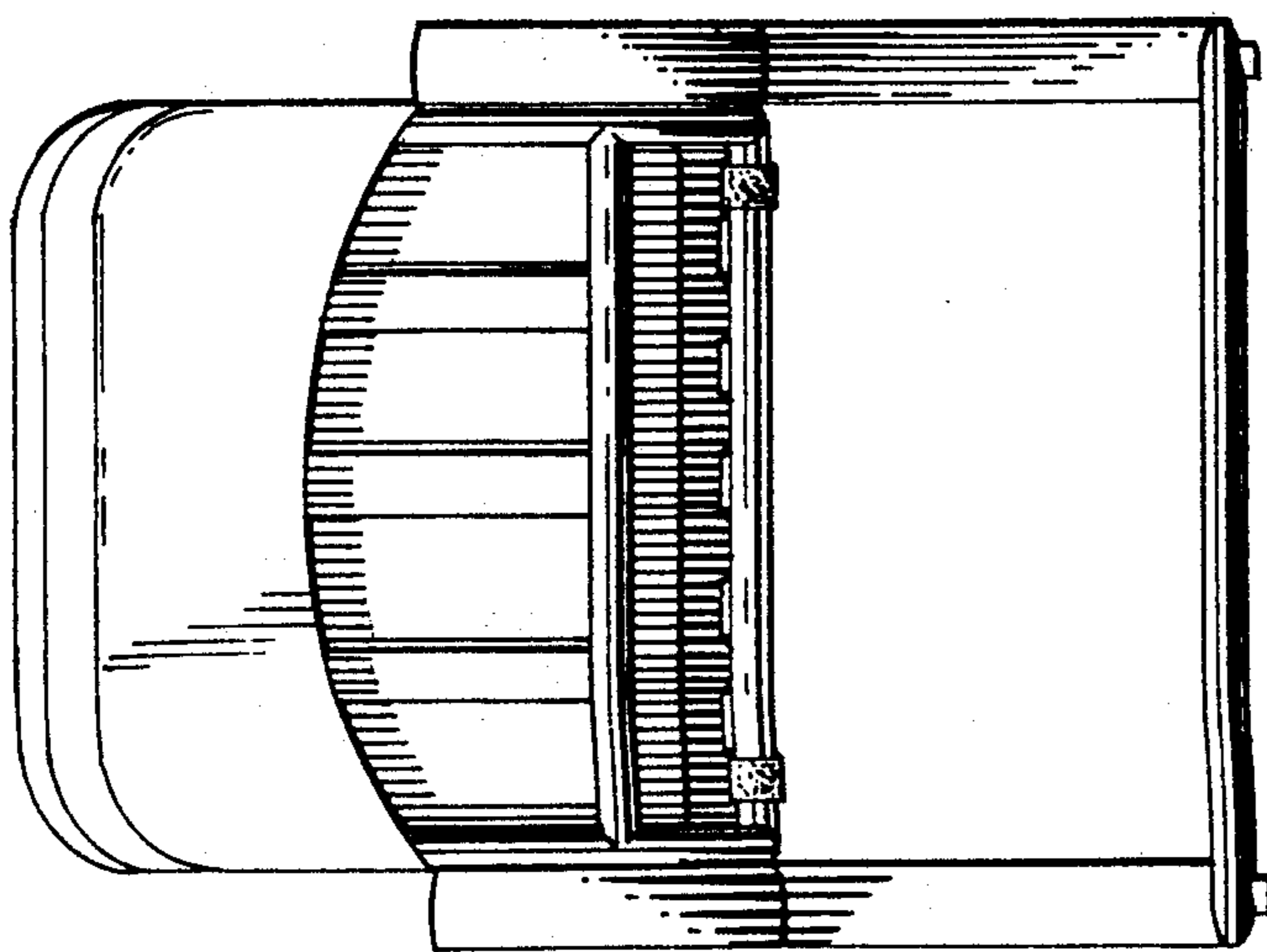


FIG. 4