



US00D338780S

# United States Patent [19]

[11] Patent Number: **Des. 338,780**

Rance

[45] Date of Patent: **\*\* Aug. 31, 1993**

[54] STORAGE BOX FOR USE BEHIND THE SEAT OF A VEHICLE

4,917,279 4/1990 Brow ..... 224/42.14

[76] Inventor: **Charlie Rance**, P.O. Box 106, Fernwood, Miss. 39635

### FOREIGN PATENT DOCUMENTS

611892 10/1926 France .  
618377 7/1980 Switzerland .

[\*\*] Term: **14 Years**

*Primary Examiner*—Louis S. Zarfes  
*Attorney, Agent, or Firm*—Terry M. Gernstein

[21] Appl. No.: **683,656**

### [57] CLAIM

[22] Filed: **Apr. 11, 1991**

The ornamental design for a storage box for use behind the seat of a vehicle, as shown and described.

[52] U.S. Cl. .... **D3/40; D12/155**

[58] Field of Search ..... **D3/40, 70, 30.1; D12/155; 224/42.11, 42.14, 42.42, 273; 296/37.1, 37.6, 37.8, 37.16**

### DESCRIPTION

### [56] References Cited

#### U.S. PATENT DOCUMENTS

D. 299,186 1/1989 Sills ..... D3/40  
D. 299,287 1/1989 Gertler ..... D3/40  
D. 310,304 9/1990 Carmichael ..... D12/155 X  
4,227,737 10/1980 Vogt ..... 296/76  
4,832,193 5/1989 Kime ..... 206/372

FIG. 1 is a perspective view of the storage box for use behind the seat of a vehicle embodying the design of the present invention;

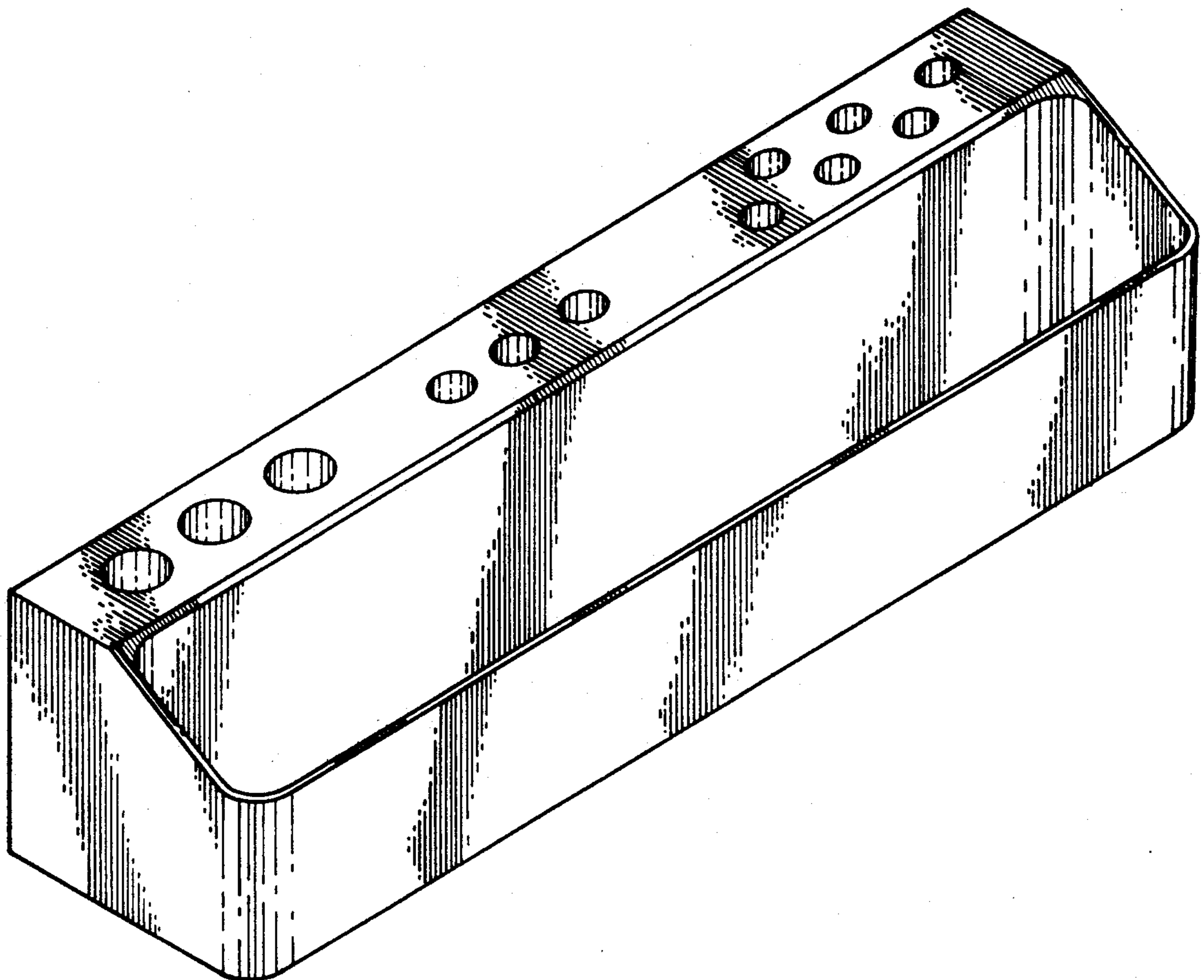
FIG. 2 is a front elevational view thereof;

FIG. 3 is a rear elevational view thereof;

FIG. 4 is a side elevational view thereof, the side opposite being a mirror image of the side shown in FIG. 4;

FIG. 5 is a top plan view thereof; and,

FIG. 6 is a bottom view thereof.



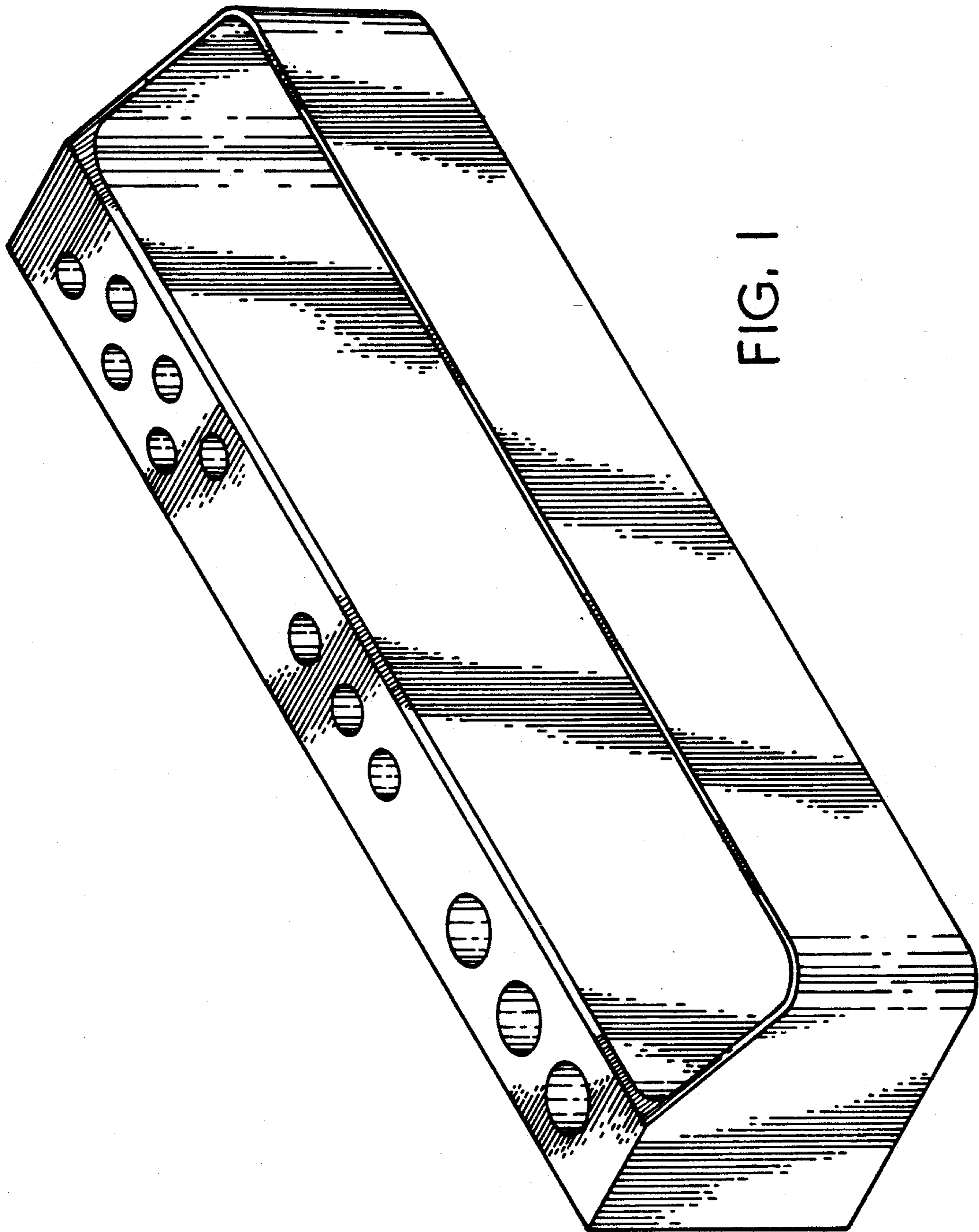


FIG. 1

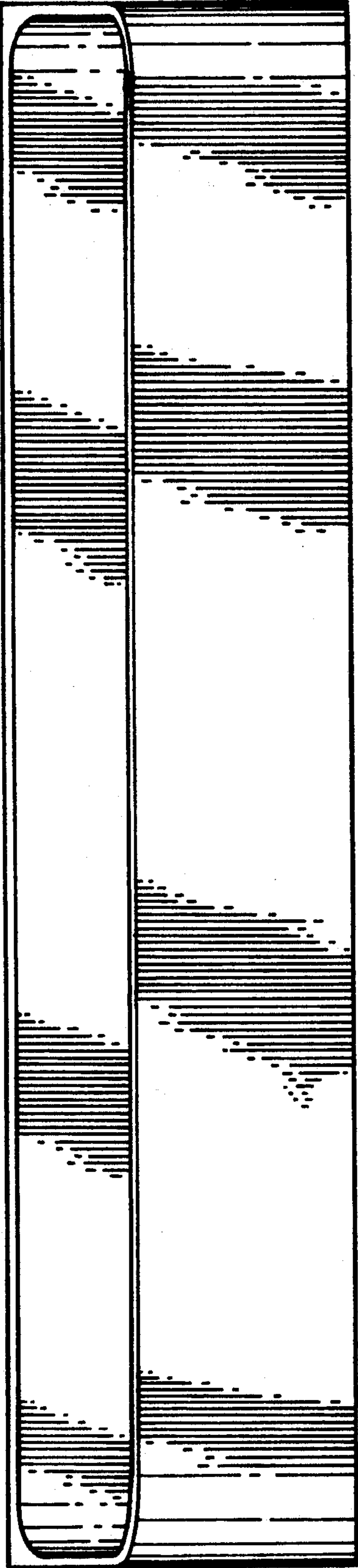


FIG. 2

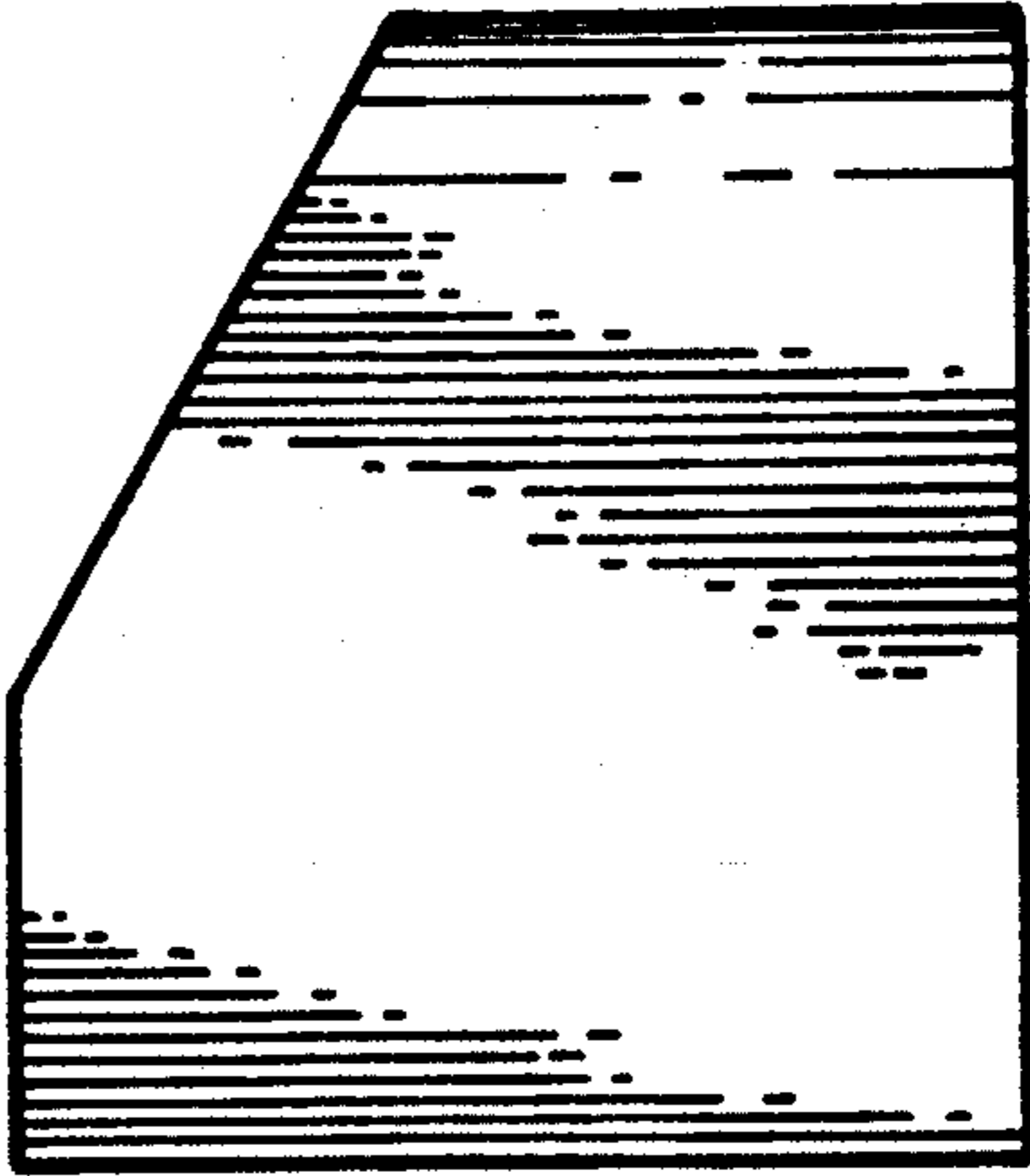


FIG. 4

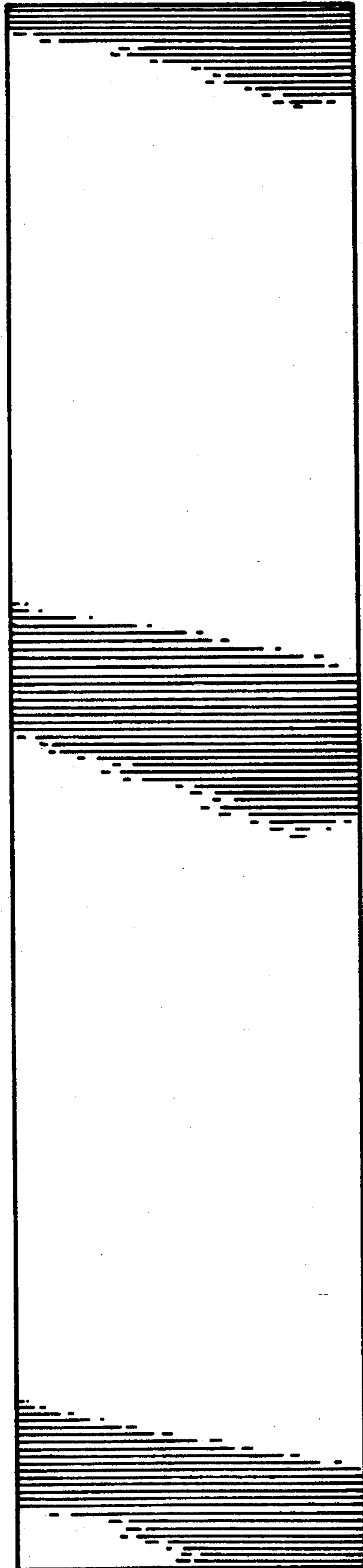


FIG. 3



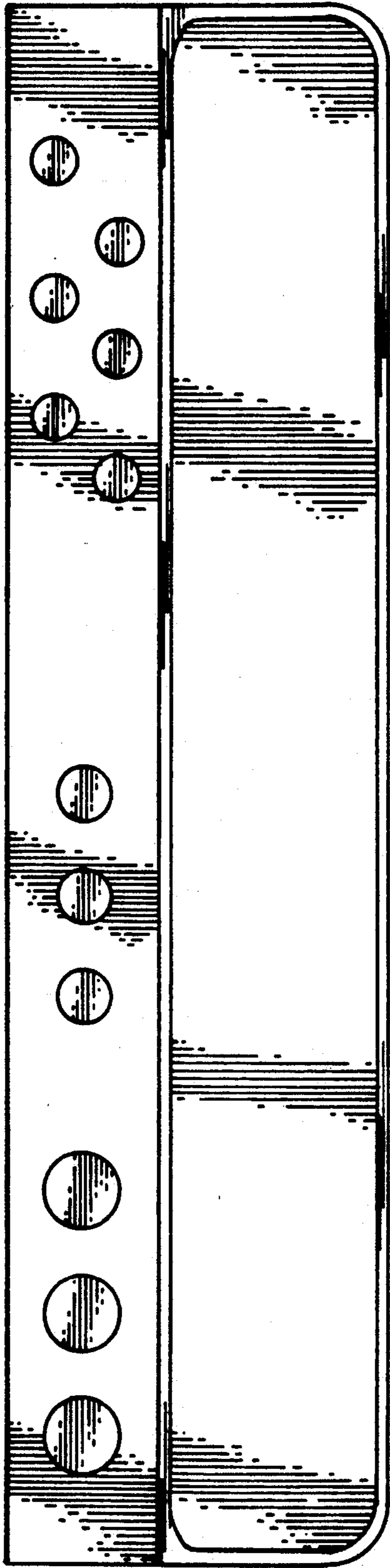


FIG. 5

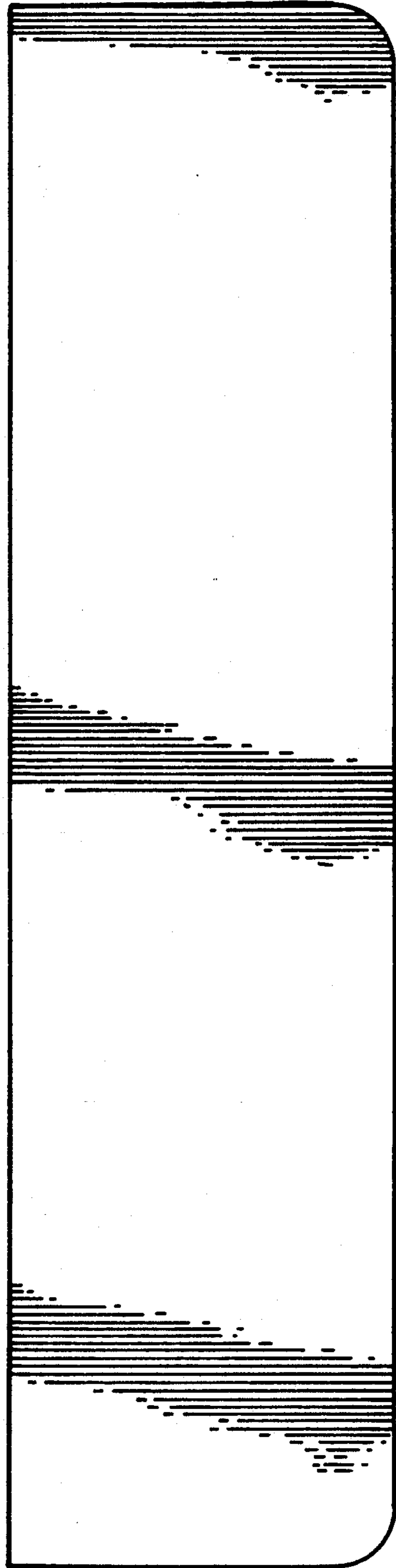


FIG. 6