



US00D338779S

United States Patent [19]

[11] Patent Number: **Des. 338,779**

Albert

[45] Date of Patent: **** Aug. 31, 1993**

[54] **COMBINED BACKPACK AND CHAIR-PACK**

1238303 7/1971 United Kingdom 224/153
2115275 9/1983 United Kingdom 224/151

[76] Inventor: **Lonna R. Albert, 10 Patrina Cir., Laguna Niguel, Calif. 92677**

Primary Examiner—A. Hugo Word
Assistant Examiner—Celia A. Murphy
Attorney, Agent, or Firm—Knobbe, Martens, Olson & Bear

[**] Term: **14 Years**

[21] Appl. No.: **812,976**

[57] **CLAIM**

[22] Filed: **Dec. 19, 1991**

The ornamental design for a combined backpack and chair-pack, as shown and described.

[52] U.S. Cl. **D3/32**

[58] Field of Search **D3/30.1, 32, 71, 74, D3/100, 36; 224/151, 153, 155**

DESCRIPTION

[56] **References Cited**

FIG. 1 is a perspective view of the design of the present invention as it appears when attached to a folding chair; the broken lines showing a folded chair being for illustrative purposes only and forming no part of the claimed design;

U.S. PATENT DOCUMENTS

- D. 177,591 5/1956 Robinson D3/74
- D. 323,426 1/1992 Mahvi et al. D3/32
- D. 392,598 7/1983 Dixon D3/32
- 3,693,849 9/1972 Knabenbauer 224/153
- 4,133,464 1/1979 Kelty D3/32
- 4,236,657 12/1980 Brunton 224/153
- 4,487,345 12/1984 Pierce et al. 224/155
- 4,720,029 1/1988 Varanakis 224/151
- 4,955,517 9/1990 Maresca 234/155
- 5,062,557 11/1991 Mahvi et al. 224/153
- 5,131,575 7/1992 Charest 224/155

FIG. 2 is a perspective view of the invention as it appears when attached to a folding chair in the open position; the broken lines showing an unfolded chair, again being for illustrative purposes only and forming no part of the claimed design;

FOREIGN PATENT DOCUMENTS

- 1194851 6/1970 United Kingdom 224/155

FIG. 3 is a top view of the invention;
FIG. 4 is a bottom view of the invention;
FIG. 5 is a view of the left side of the invention, the opposite side being a mirror image;
FIG. 6 is a rear view of the invention; and,
FIG. 7 is a front view of the invention.

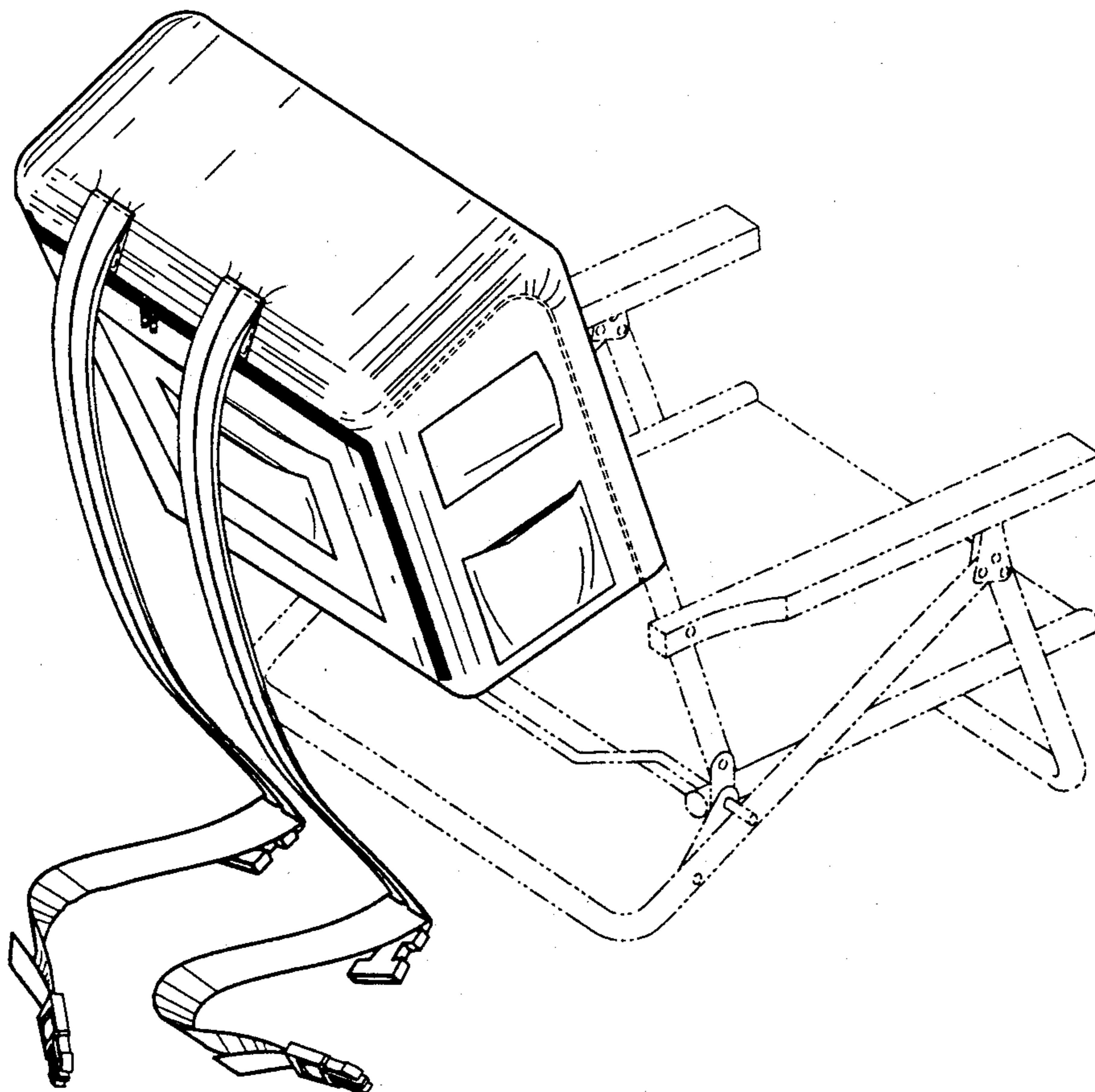
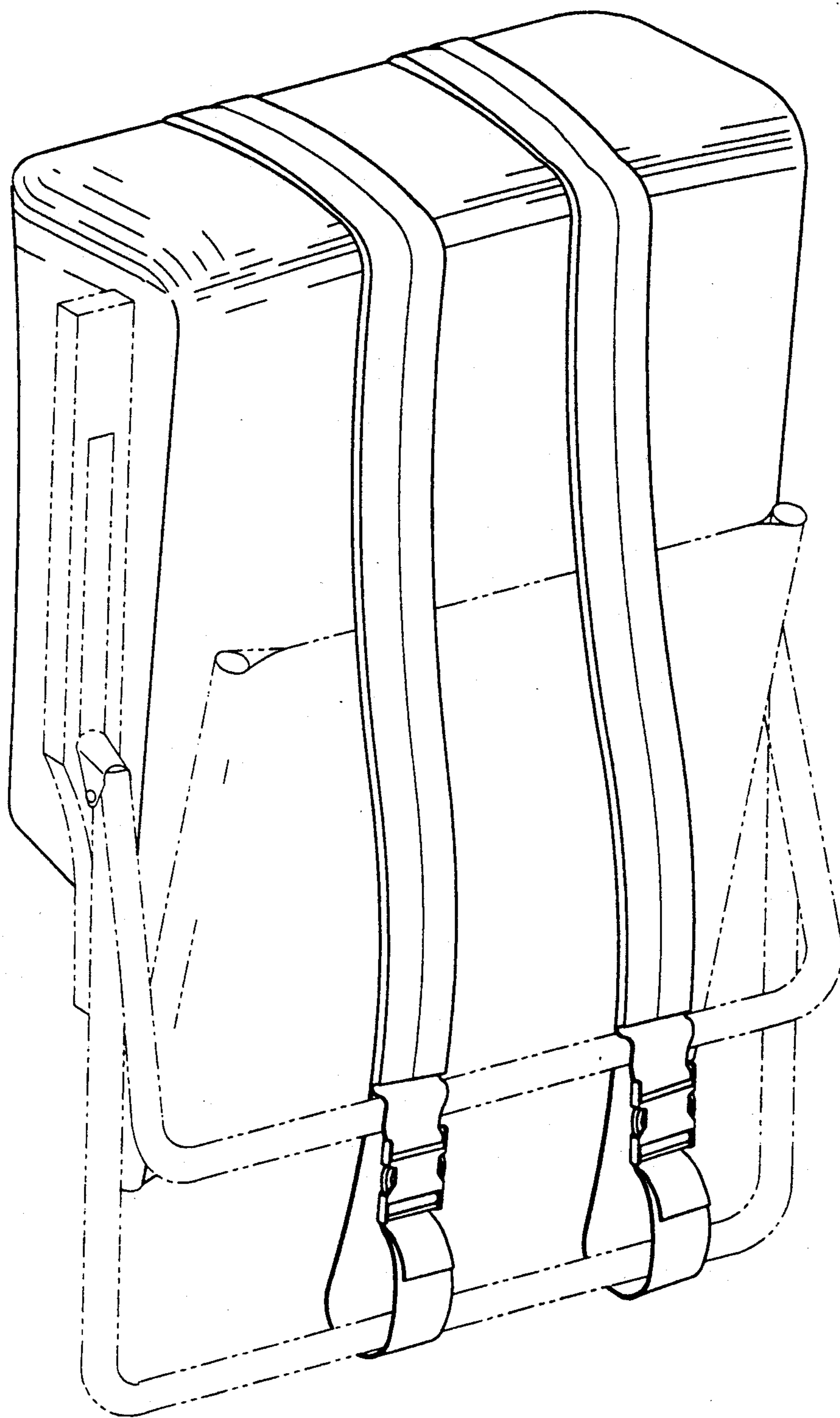


FIG. 1



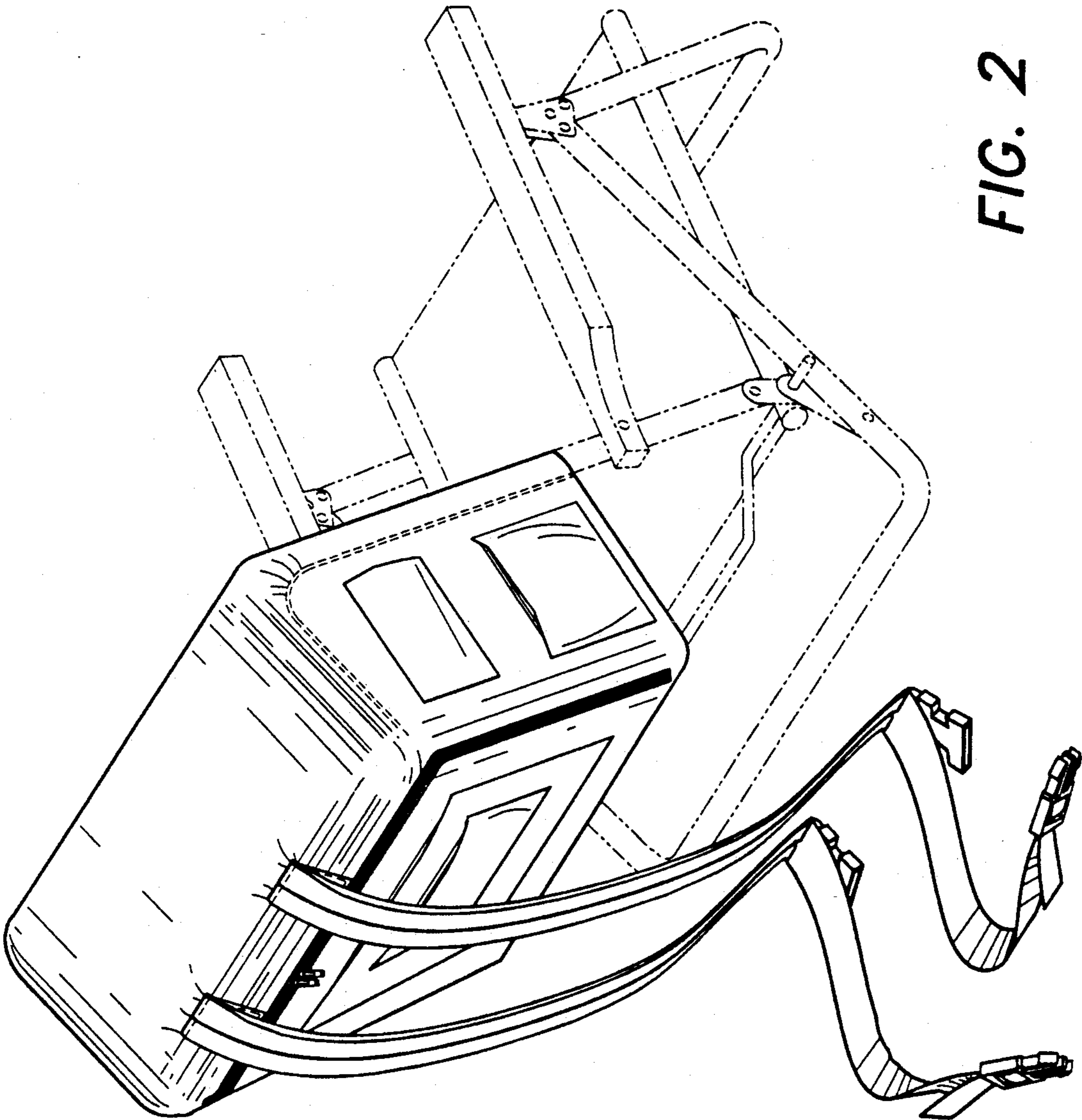


FIG. 2

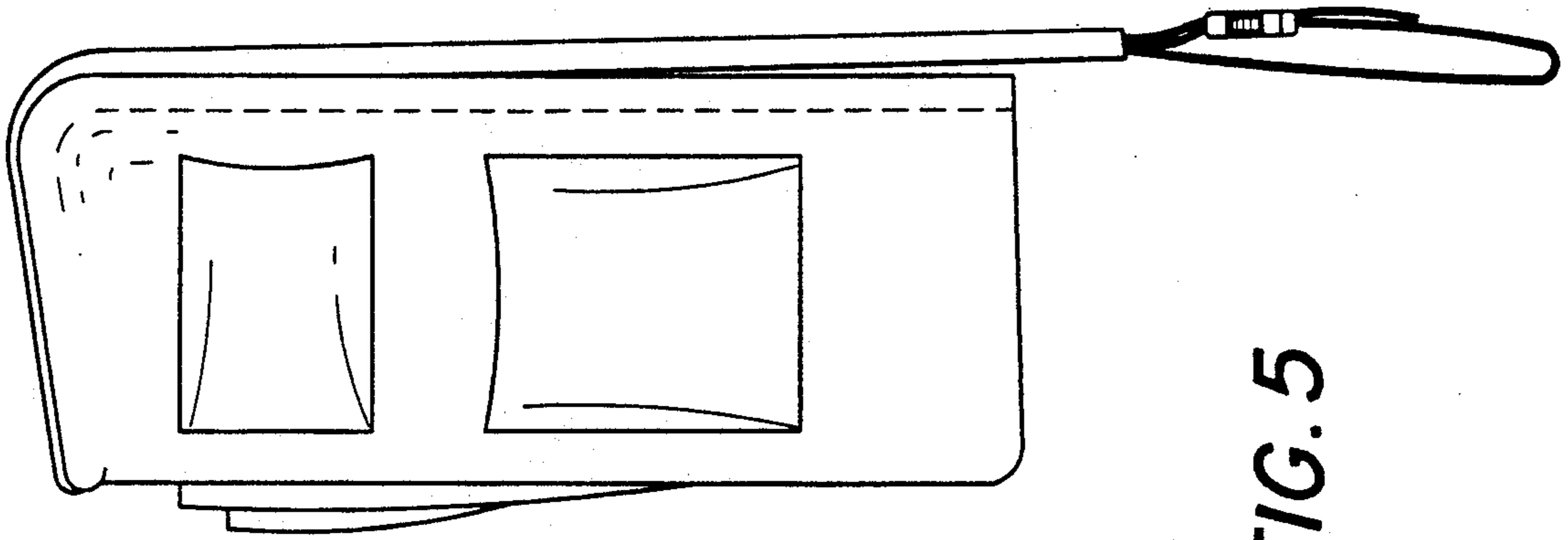


FIG. 5

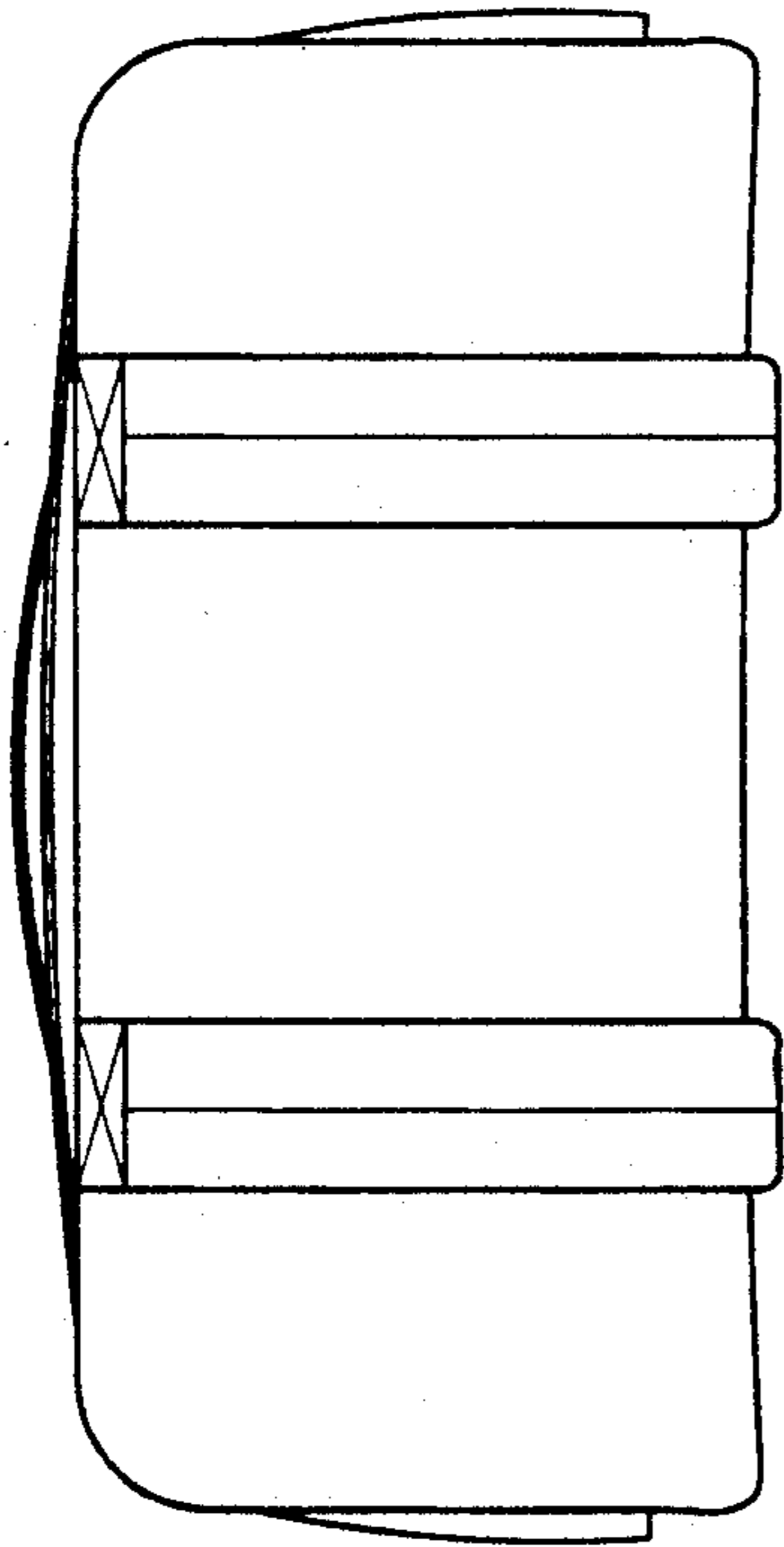


FIG. 3

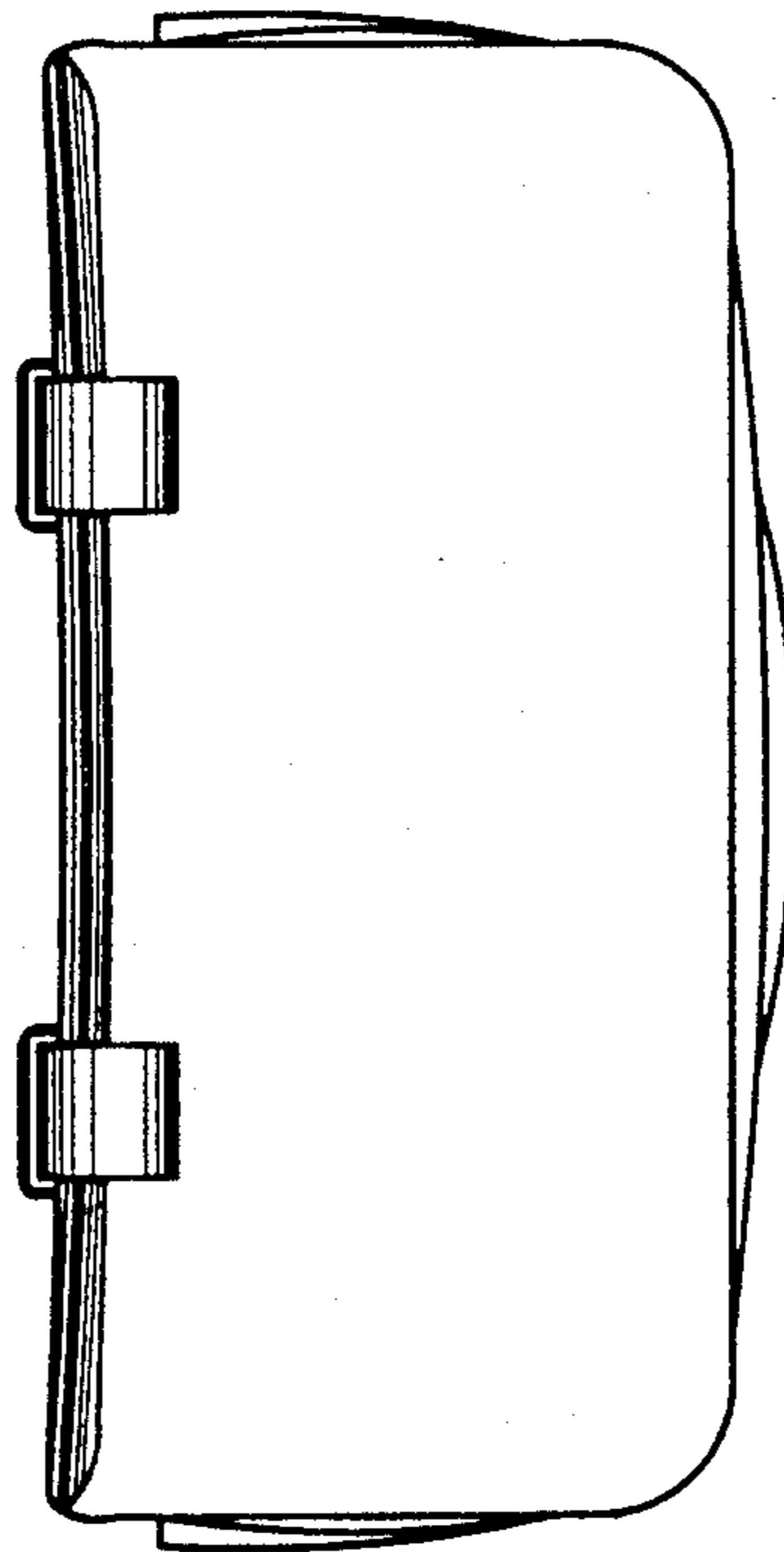


FIG. 4

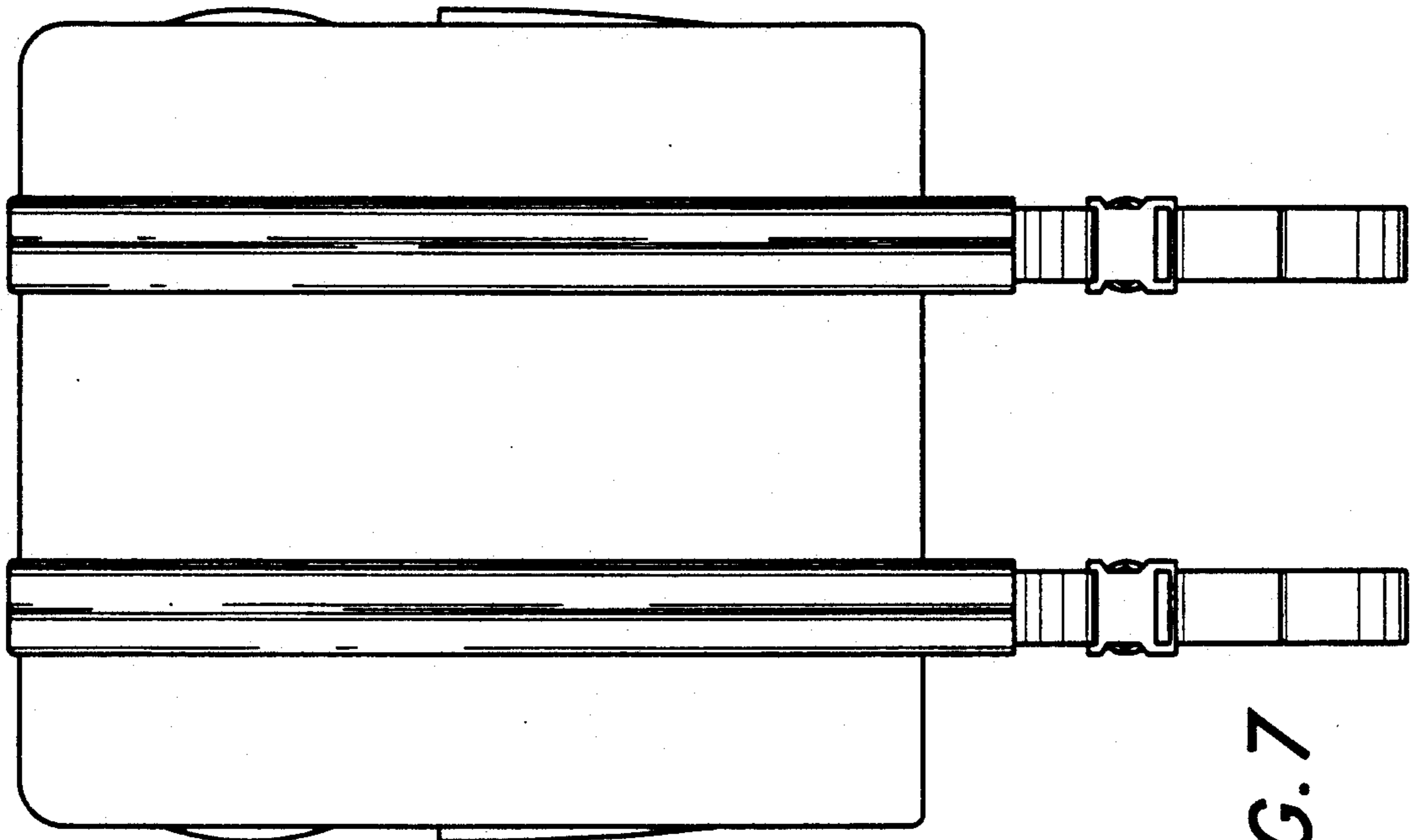


FIG. 7

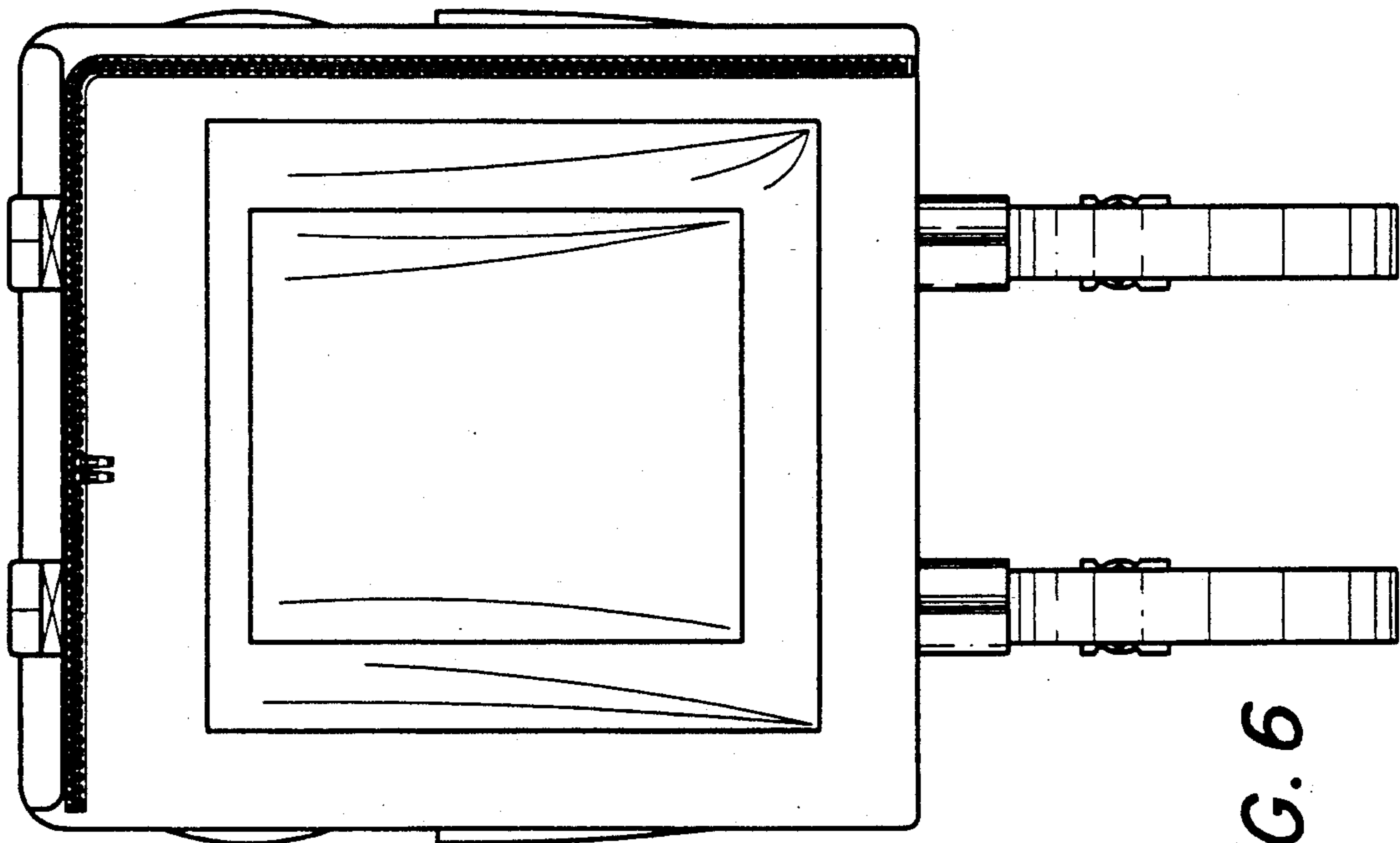


FIG. 6