



US00D338770S

United States Patent [19]

[11] Patent Number: **Des. 338,770**

Vernon et al.

[45] Date of Patent: **** Aug. 31, 1993**

[54] **INFUSION PACKET**

4,055,668 10/1977 Kopp .
4,651,870 3/1987 Giambalvo .

[75] Inventors: **Geoffrey W. Vernon; Michael J. Cahill**, both of Kenilworth, England

FOREIGN PATENT DOCUMENTS

[73] Assignee: **Thomas J. Lipton Co., Division of Conopco, Inc.**, Englewood Cliffs, N.J.

839405 9/1952 Fed. Rep. of Germany .
1134626 8/1962 Fed. Rep. of Germany 426/79
2500100 12/1974 Fed. Rep. of Germany .
570798 12/1975 Switzerland 426/79
681816 10/1952 United Kingdom .
870800 6/1961 United Kingdom .
881784 11/1961 United Kingdom 426/79
2052428 1/1981 United Kingdom .
2170777A 8/1986 United Kingdom .

[**] Term: **14 Years**

[21] Appl. No.: **673,117**

[22] Filed: **Mar. 21, 1991**

[52] U.S. Cl. **D1/199**

[58] Field of Search **D1/199; 426/82-83, 426/79, 77, 110**

Primary Examiner—Wallace R. Burke
Assistant Examiner—H. Baynham
Attorney, Agent, or Firm—James J. Farrell

[56] **References Cited**

U.S. PATENT DOCUMENTS

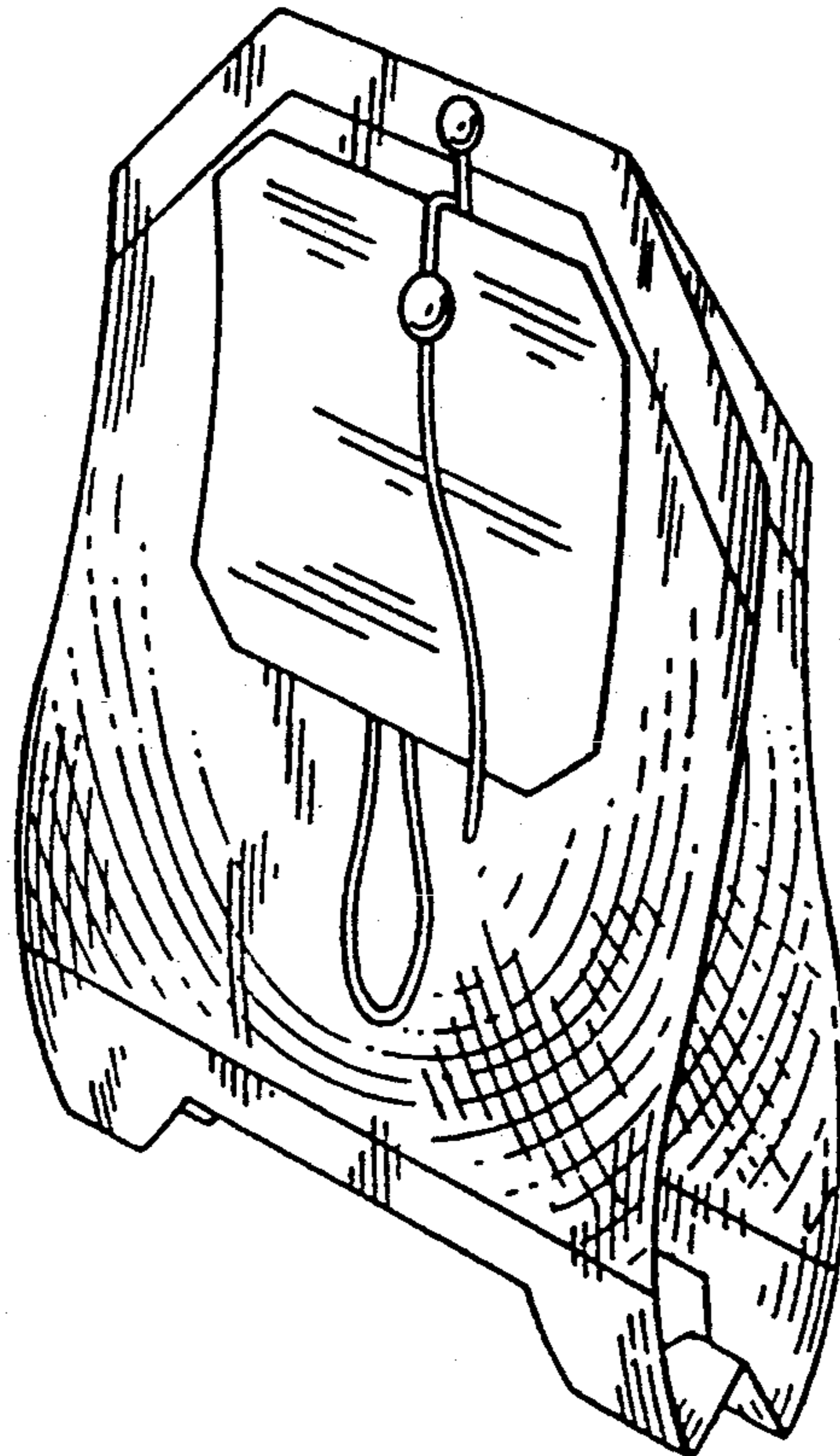
D. 118,424 1/1940 Imscher D1/199
2,291,625 8/1942 Hirschhom 426/83
2,335,159 11/1943 Salfisberg .
2,406,137 8/1946 Eaton 426/83
2,593,608 4/1952 Rambold .
2,794,744 6/1957 Vergobbi 426/83
2,852,389 9/1958 Johnson 426/83
2,925,171 2/1960 Eaton .
2,954,294 9/1960 Whelan 426/83 X
3,542,561 11/1970 Rambold .
3,653,913 4/1972 Rambold .

[57] **CLAIM**

The ornamental design for an infusion packet, as shown and described.

DESCRIPTION

FIG. 1 is a front perspective view of an infusion packet showing my new design;
FIG. 2 is a rear view thereof;
FIG. 3 is a side view thereof with the opposite side being a mirror image;
FIG. 4 is a bottom plan view thereof; and,
FIG. 5 is a partial bottom perspective thereof.



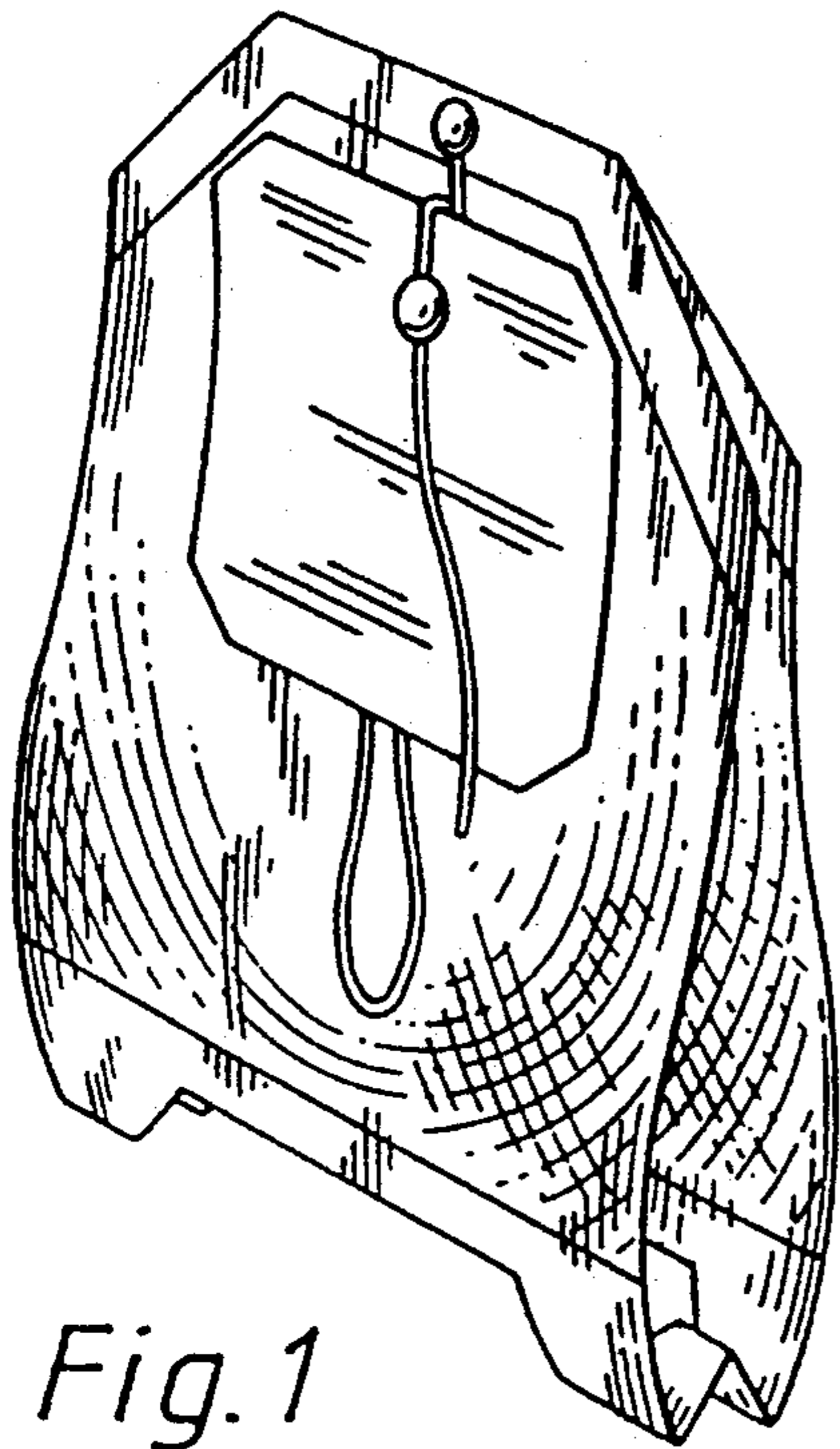


Fig. 1

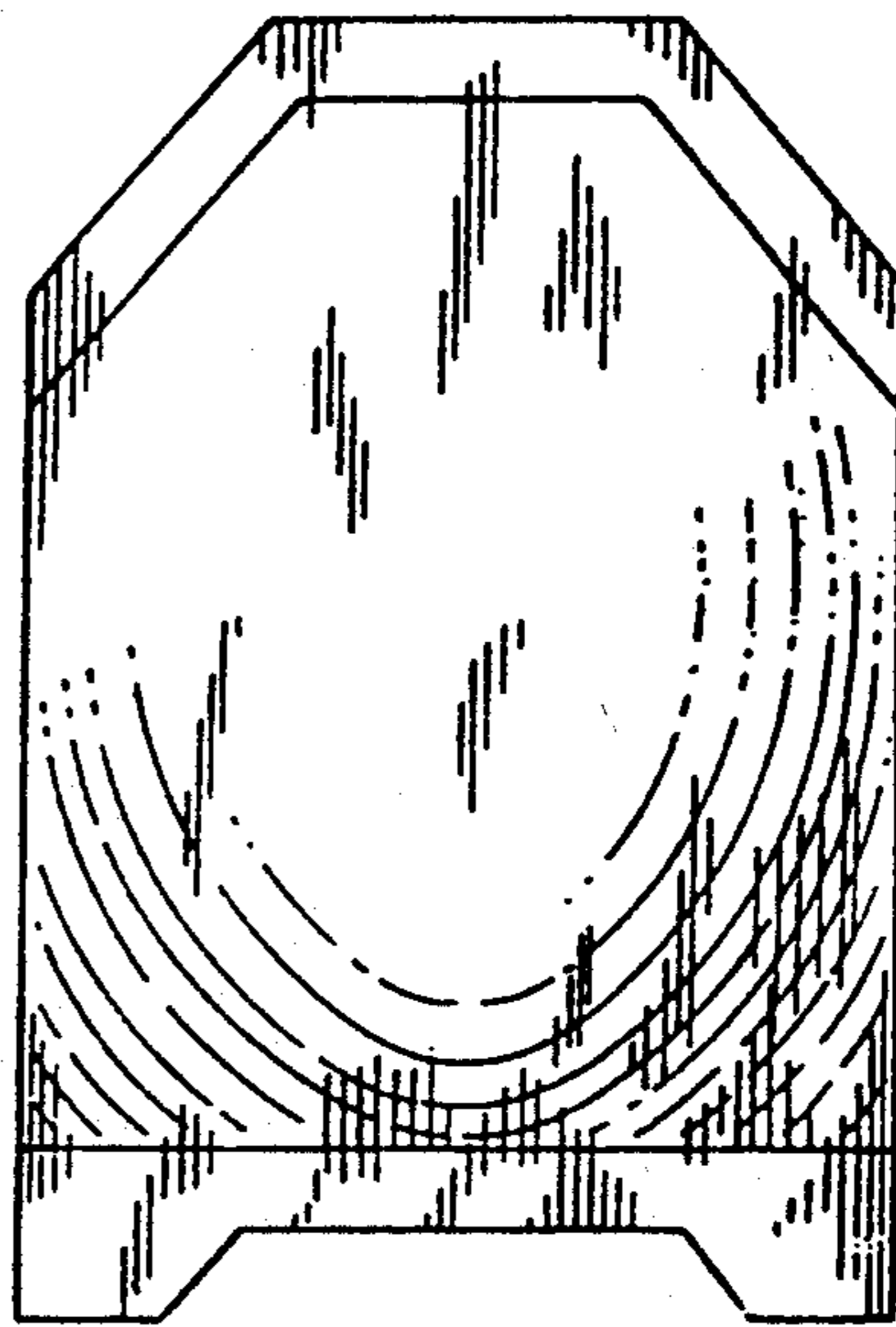


Fig. 2

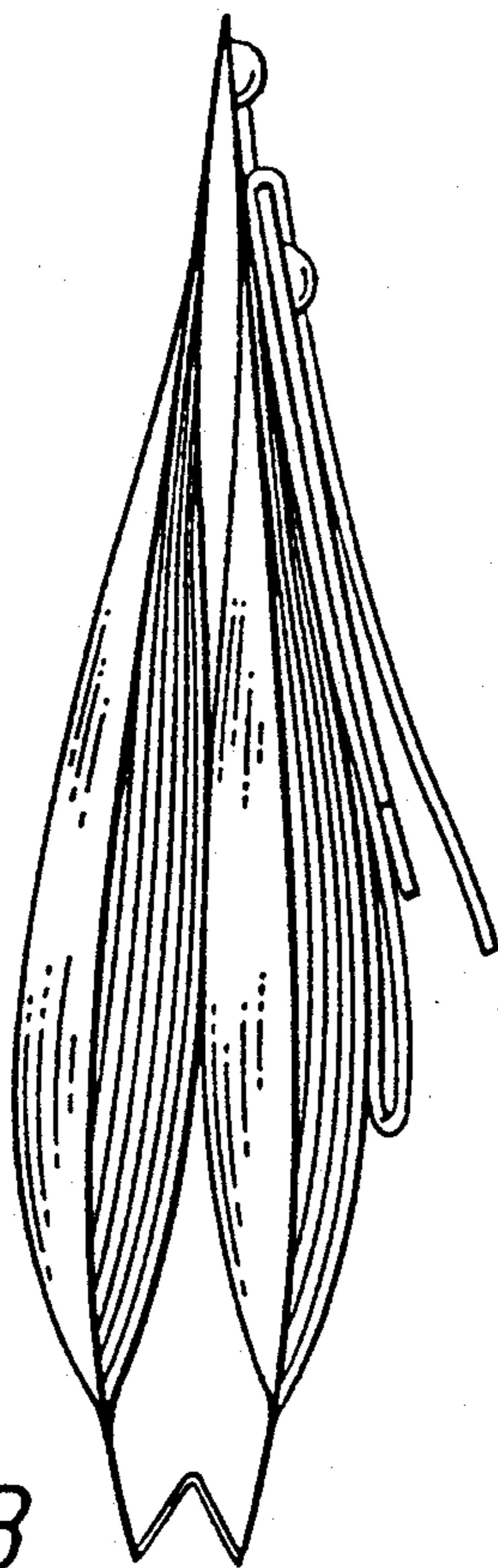


Fig. 3



Fig. 4

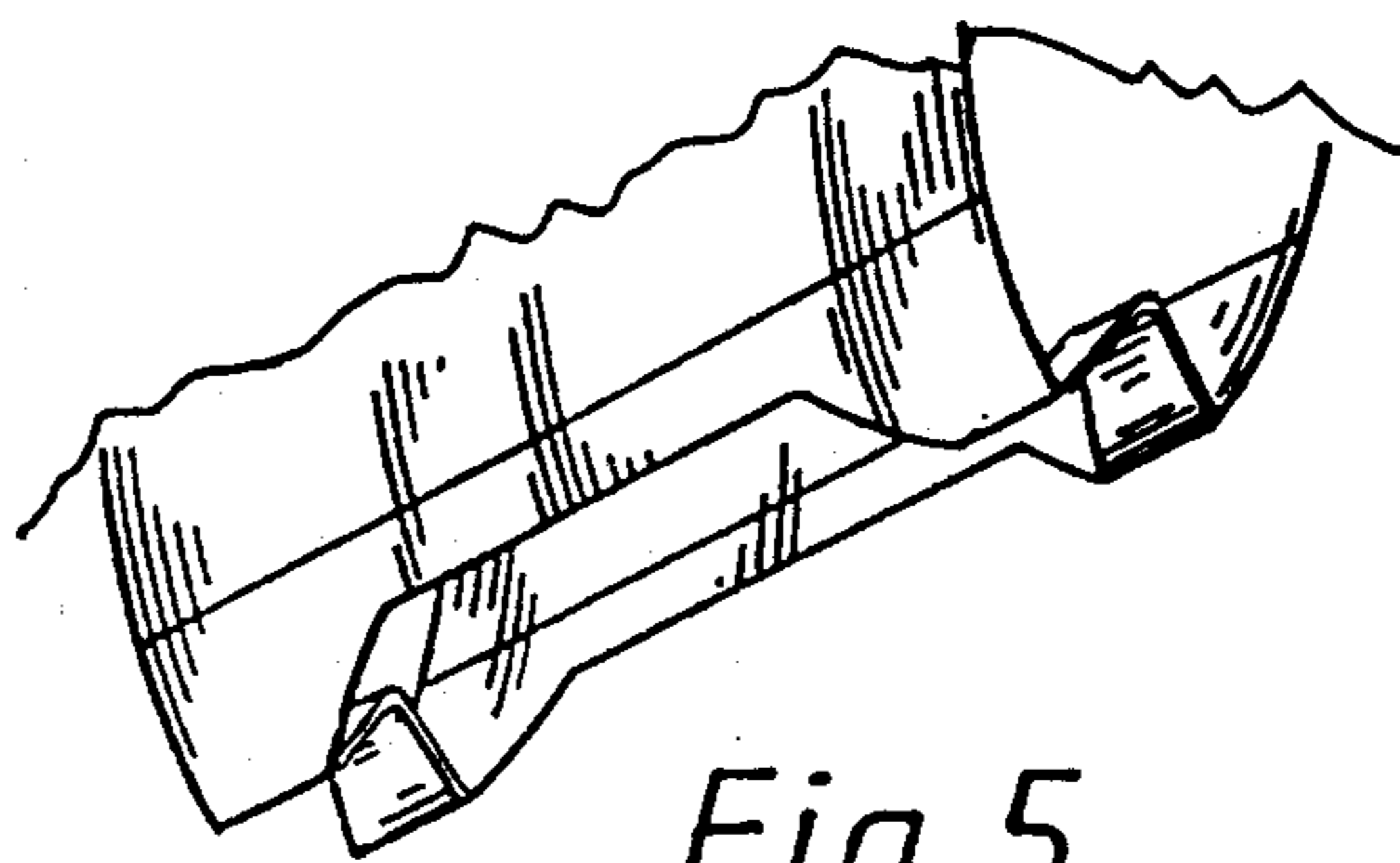


Fig. 5