



US00D338764S

United States Patent [19]

[11] Patent Number: **Des. 338,764**

Furuta et al.

[45] Date of Patent: **** Aug. 24, 1993**

[54] **FORKLIFT TRUCK**

D. 316,468 4/1991 Sandrock et al. D34/37

[75] Inventors: **Toshinori Furuta; Nozomu Kohno; Toshiaki Kojima; Masayasu Ando**, all of Kariya, Japan

FOREIGN PATENT DOCUMENTS

5472 7/1982 Fed. Rep. of Germany .
671535 10/1985 Japan .

[73] Assignee: **Kabushiki Kaisha Toyota Jidoshokki Seisakusho**, Kariya, Japan

Primary Examiner—Kay H. Chin
Attorney, Agent, or Firm—Brooks Haidt Haffner & Delahunty

[**] Term: **14 Years**

[21] Appl. No.: **805,783**

[57] CLAIM

The ornamental design for a forklift truck, as shown.

[22] Filed: **Dec. 9, 1991**

[52] U.S. Cl. **D34/34; D34/37**

DESCRIPTION

[58] Field of Search **D34/37, 28, 34; 180/89.14, 89.12, 89.17; 414/785, 607; D15/26**

FIG. 1 is a perspective view of a forklift truck showing our new design;

[56] References Cited

U.S. PATENT DOCUMENTS

D. 240,294 6/1976 De Priester et al. D34/37
D. 257,432 10/1980 Erlacher D34/34
D. 298,678 11/1988 Brown et al. D34/37

FIG. 2 is a front elevational view thereof;
FIG. 3 is a rear elevational view thereof;
FIG. 4 is a left side elevational view thereof;
FIG. 5 is a right side elevational view thereof;
FIG. 6 is a top plan view thereof; and,
FIG. 7 is a bottom plan view thereof.

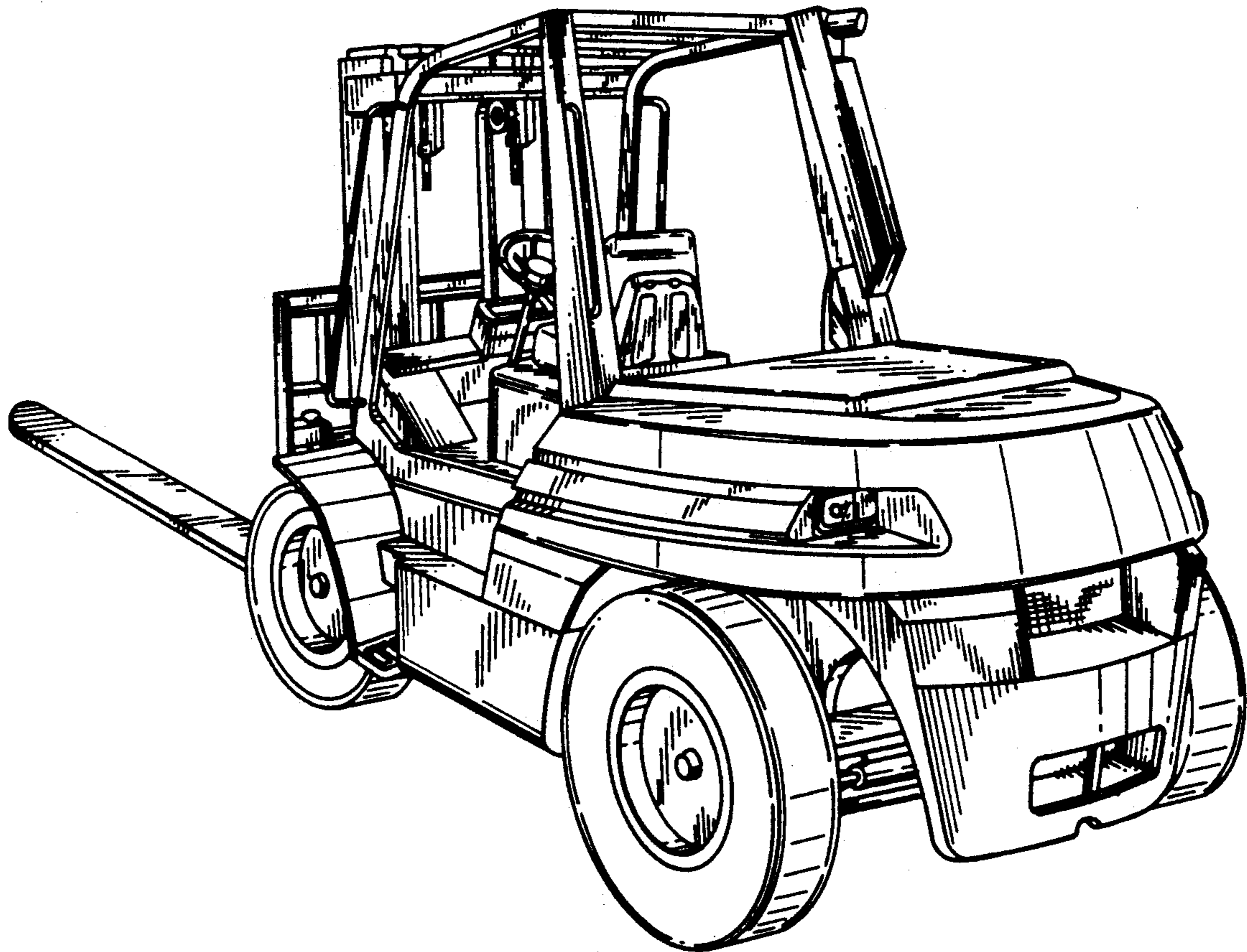


Fig. 1

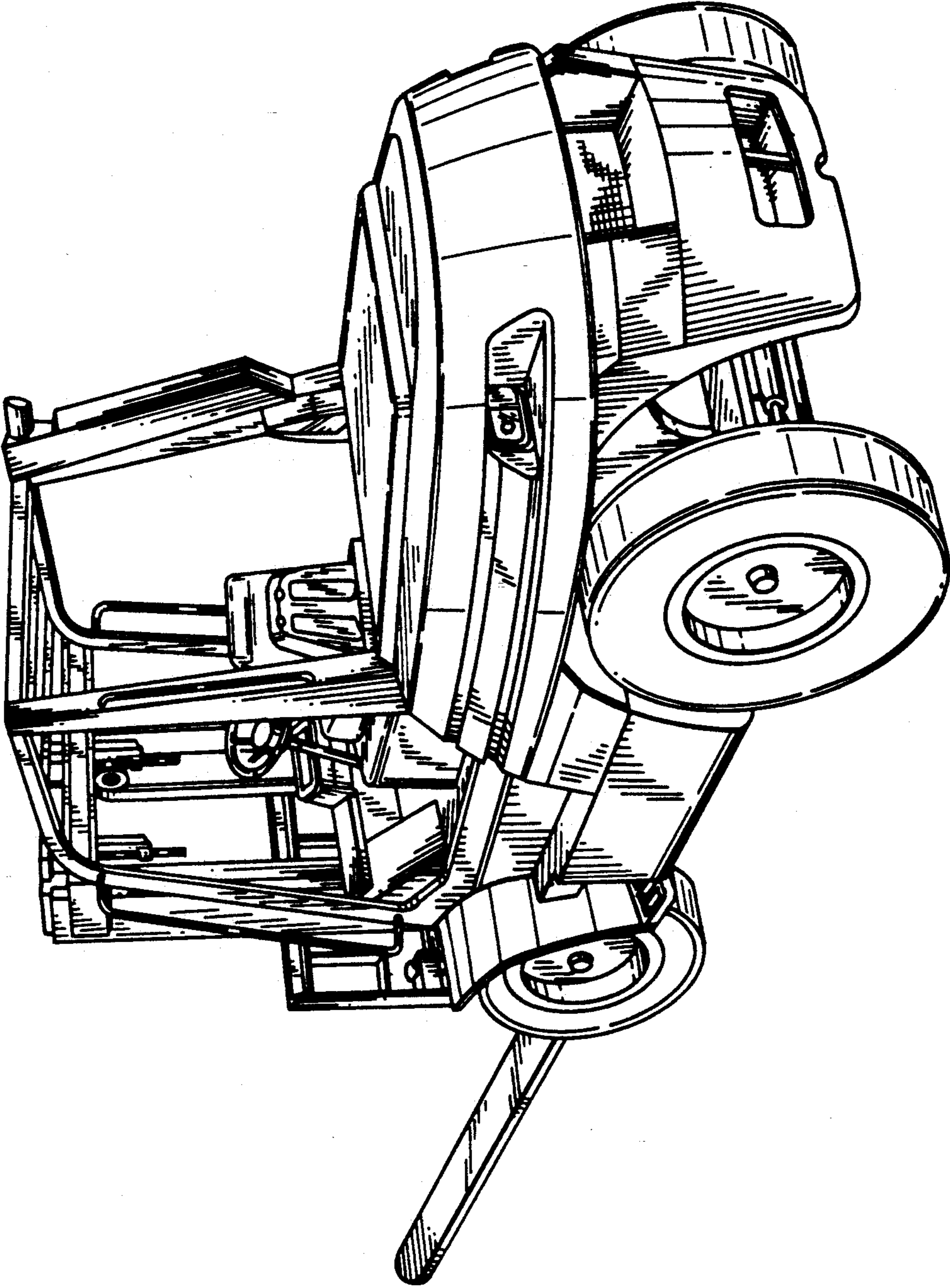


Fig. 2

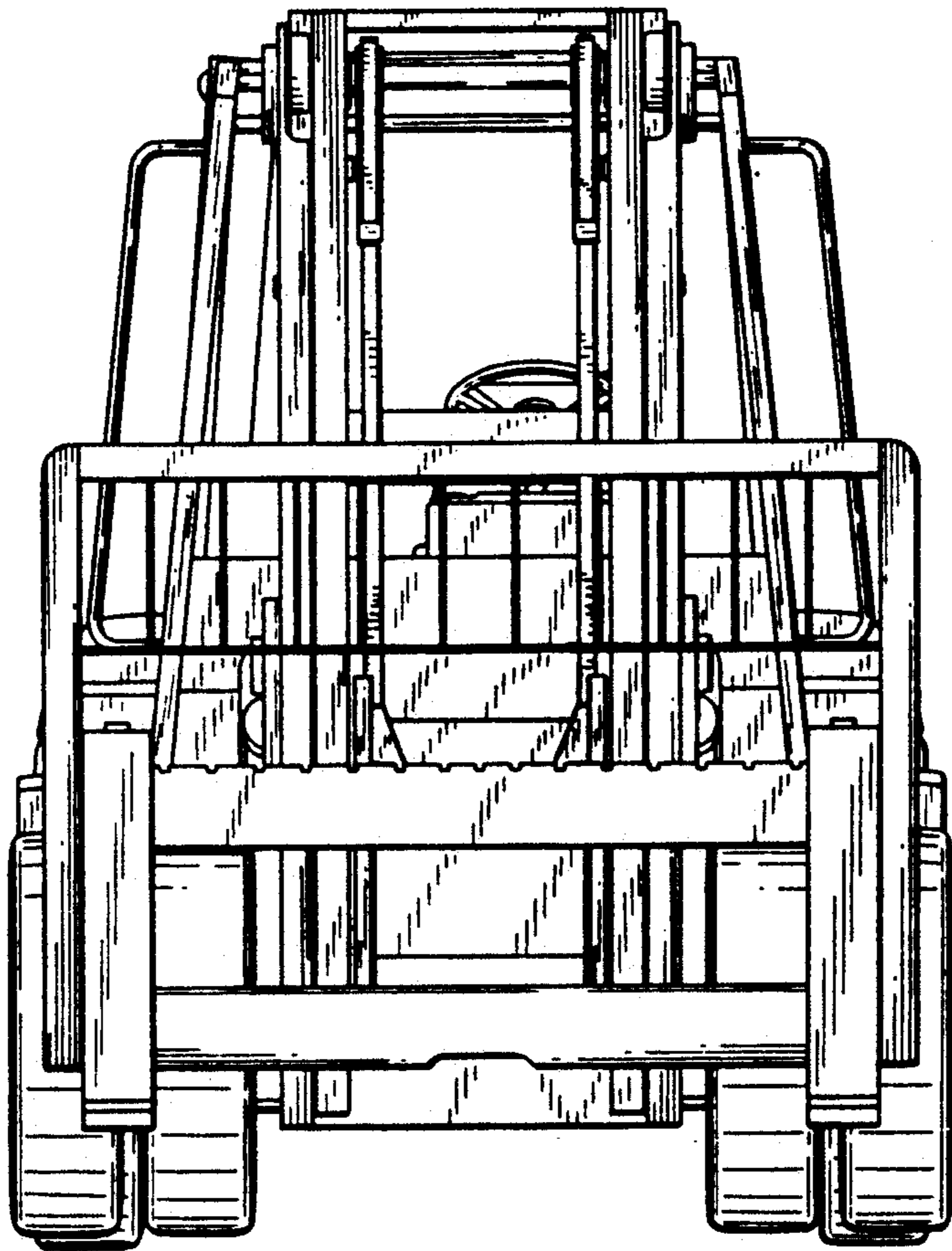


Fig. 3

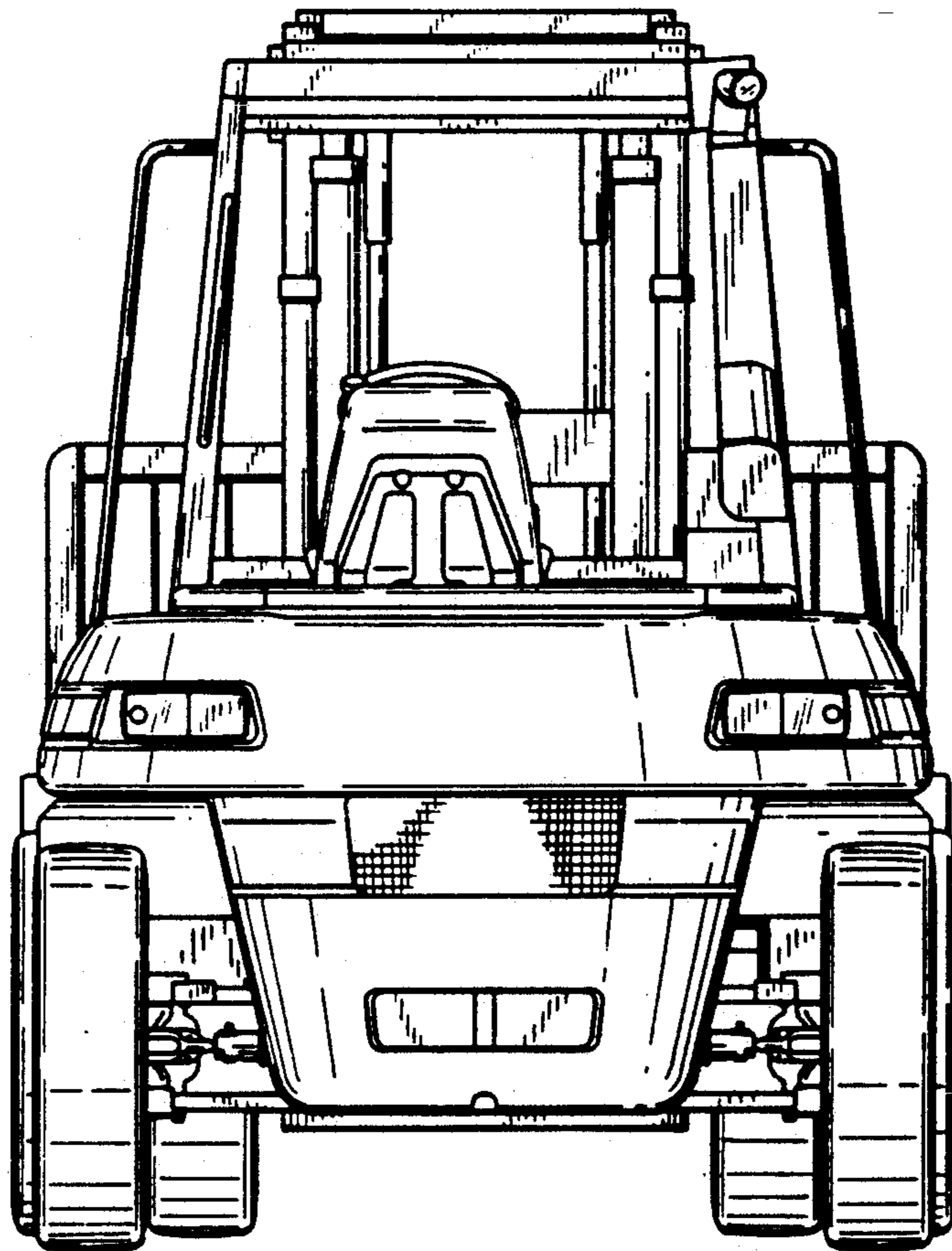


Fig. 4

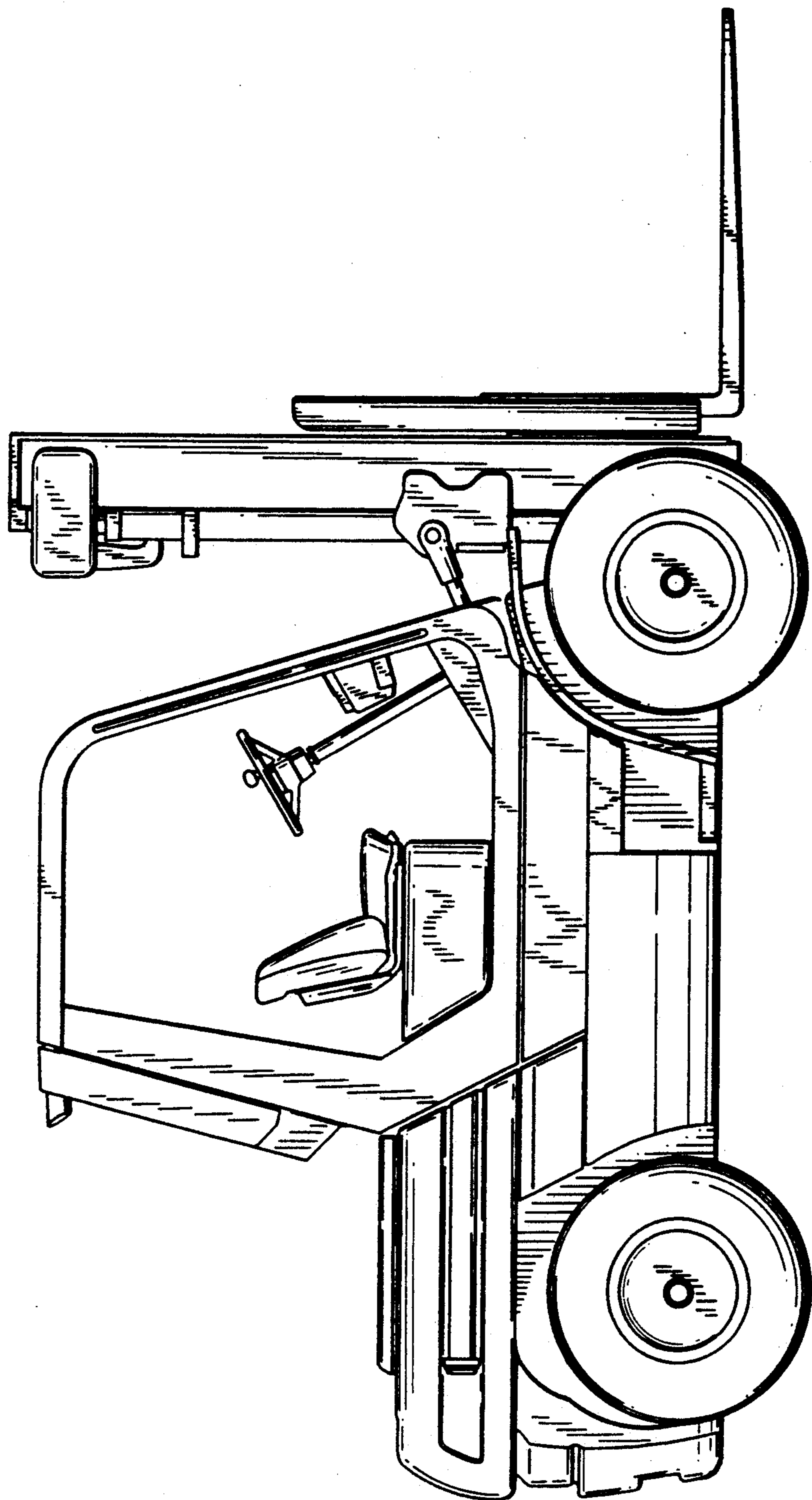


Fig. 5

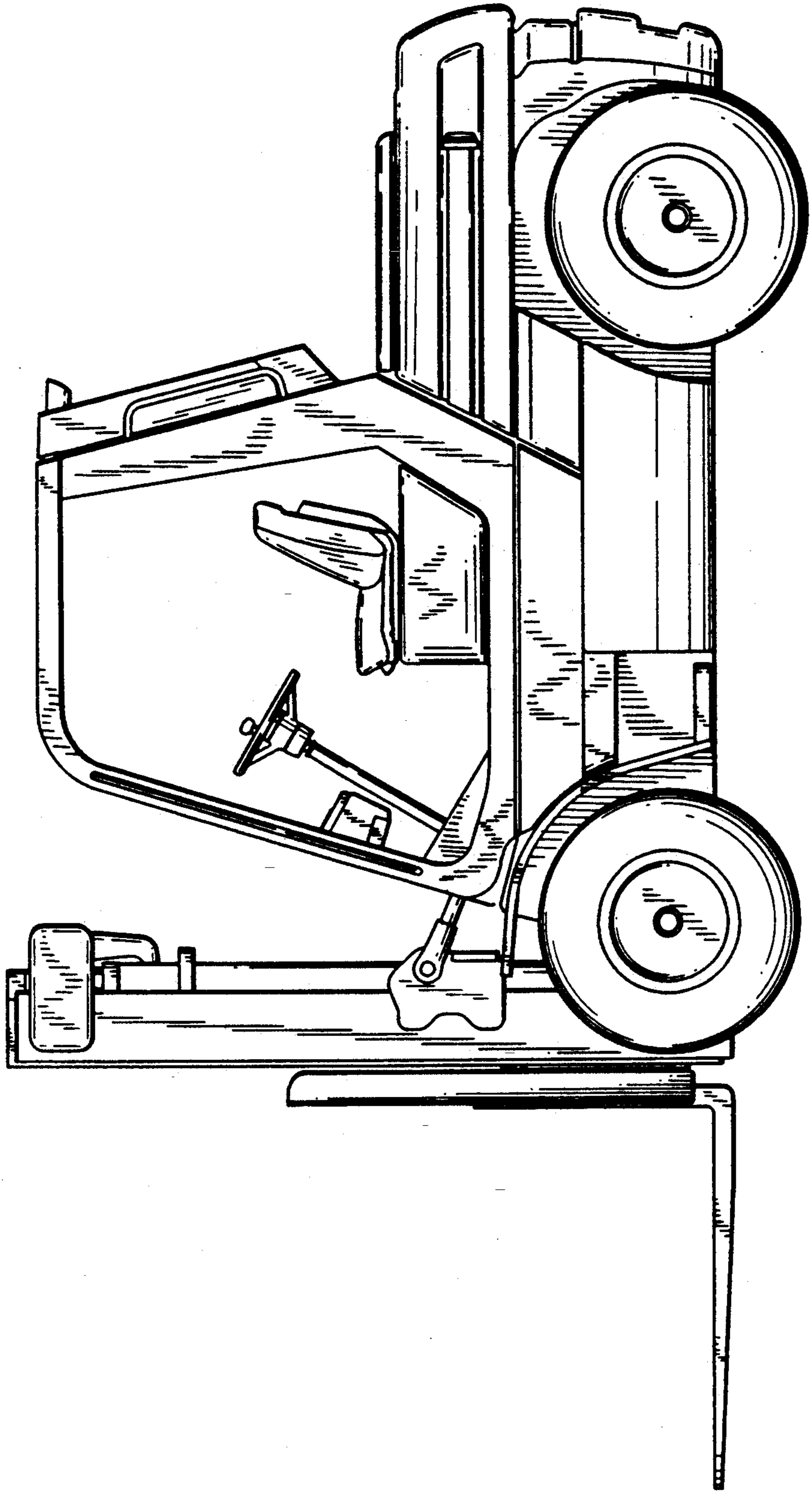


Fig. 6

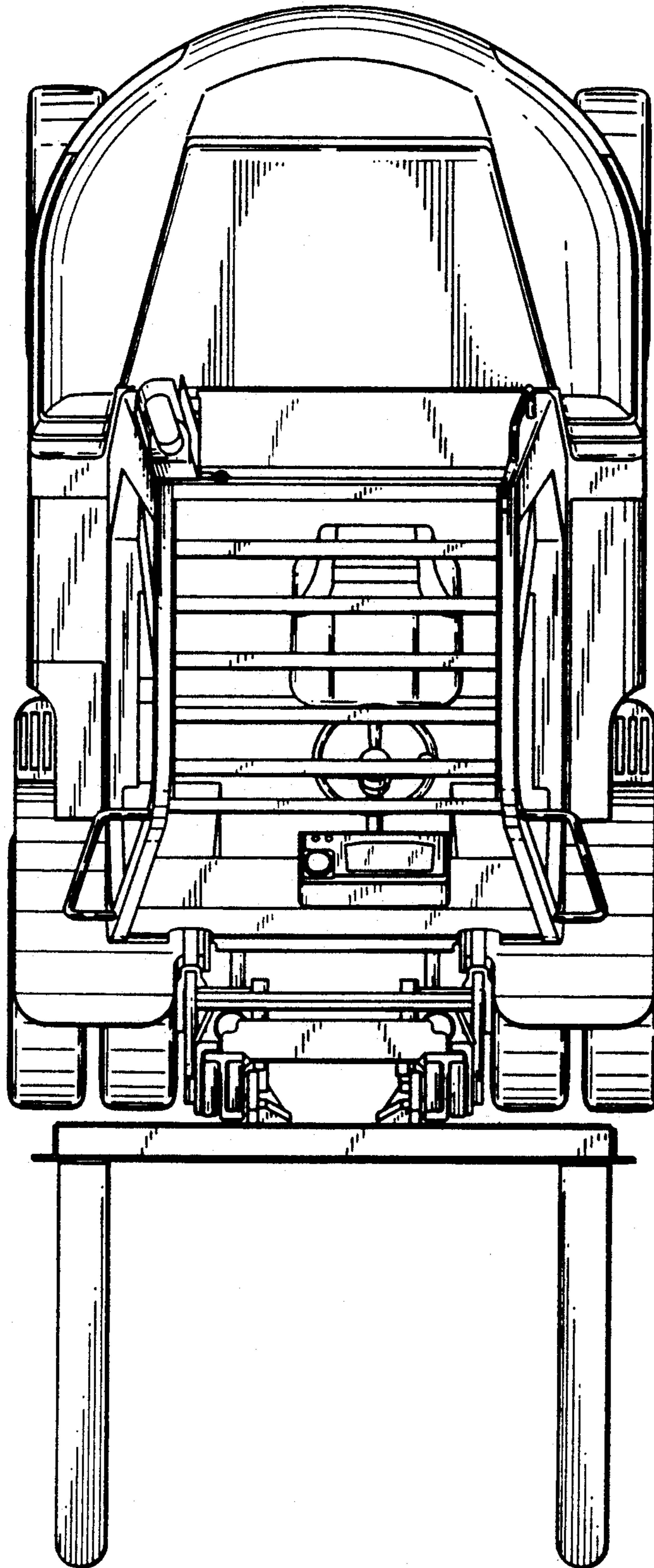


Fig. 7

