



US00D338759S

United States Patent [19]

[11] Patent Number: **Des. 338,759**

Ocuin

[45] Date of Patent: **** Aug. 24, 1993**

[54] **FOLDABLE LUGGAGE CARRIER**

[76] Inventor: **Morton Ocuin, 540 Manida St.,
Bronx, N.Y. 10474**

[**] Term: **14 Years**

[21] Appl. No.: **679,336**

[22] Filed: **Apr. 2, 1991**

[52] U.S. Cl. **D34/23; D34/12**

[58] Field of Search **D34/12-27;
280/655, 659, 42, 651**

[56] **References Cited**

U.S. PATENT DOCUMENTS

3,197,224	7/1965	Kappen	280/651
4,619,464	10/1986	Hwang	280/655
4,637,626	1/1987	Foss et al.	280/655
5,040,809	8/1991	Yang	280/42

Primary Examiner—**Kay H. Chin**

Attorney, Agent, or Firm—**Robert W. Fiddler**

[57] **CLAIM**

The ornamental design for a foldable luggage carrier, as shown and described.

DESCRIPTION

FIG. 1 is a perspective view showing the front and top of the luggage carrier with the operating handle extended showing my new design;

FIG. 2 is a perspective view of the front and top thereof with the handle retracted;

FIG. 3 is perspective view showing the front and top thereof with the handle folded over on the base;

FIG. 4 is a rear elevational view thereof with the handle retracted as in FIG. 2;

FIG. 5 is a bottom plan view thereof;

FIG. 6 is a perspective view of the latch mechanism between the base and handle thereof; and,

FIG. 7 is an enlarged detail view of the latch mechanism permitting extension of the handle.

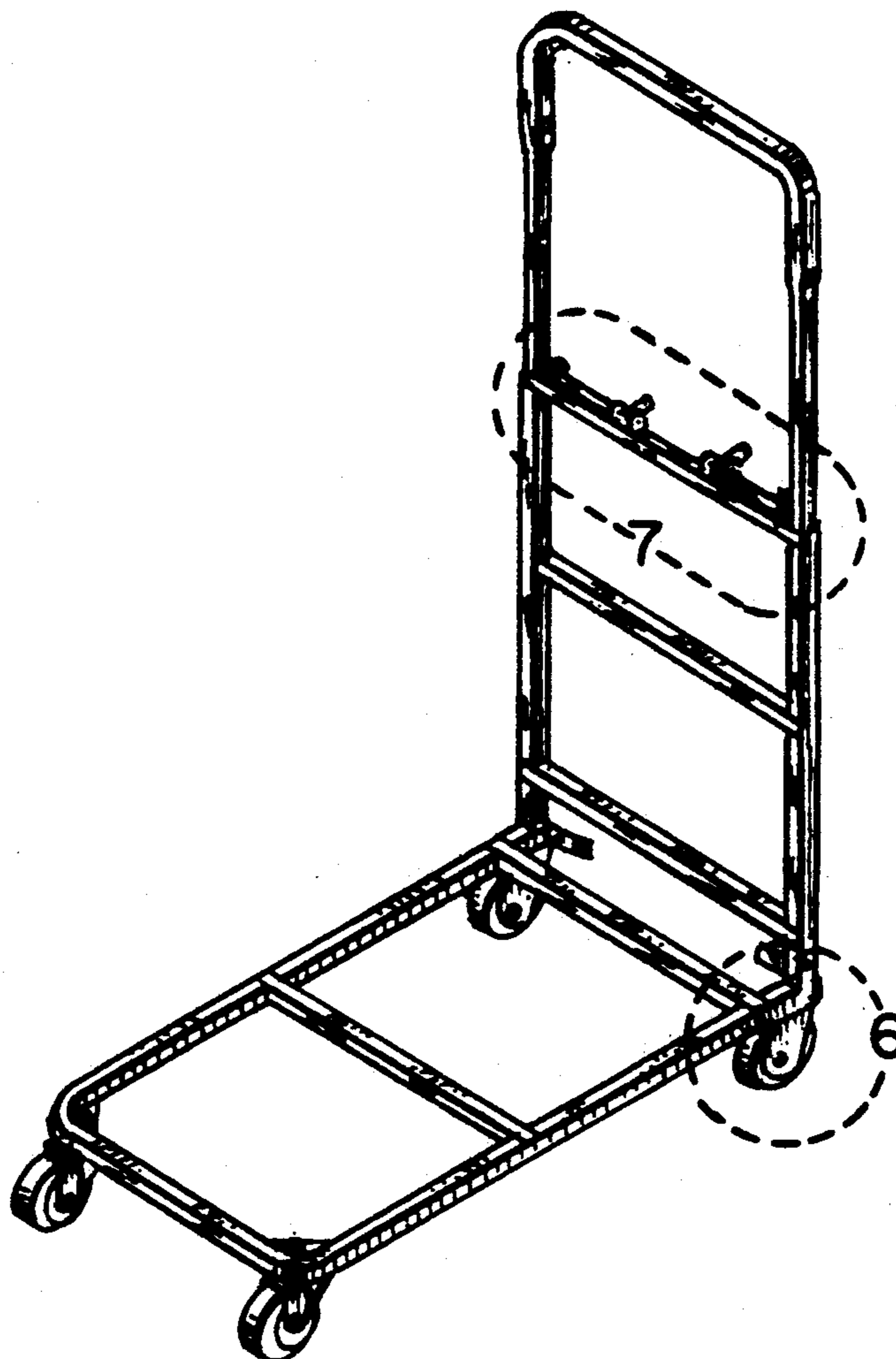


FIG. 1

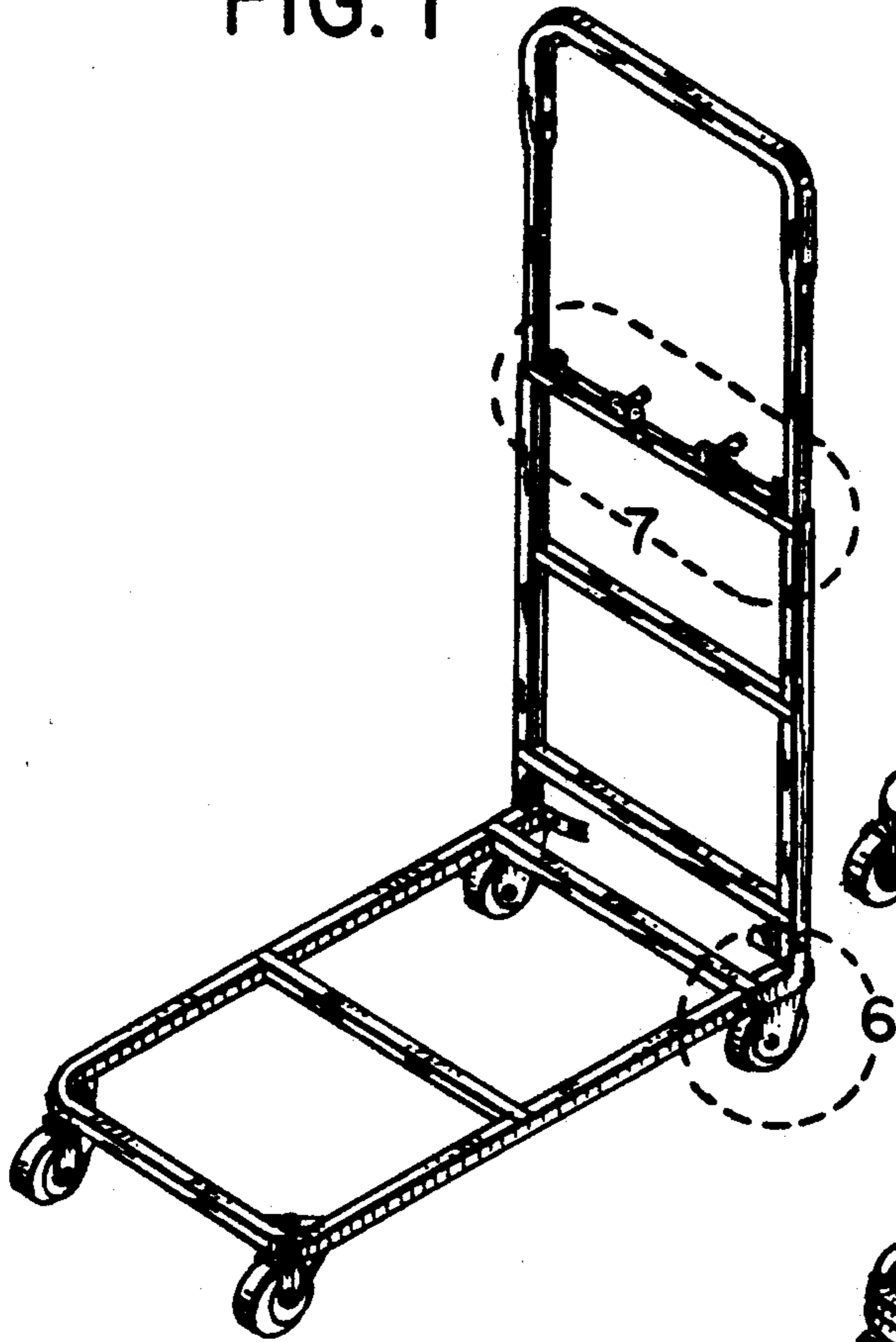


FIG. 2

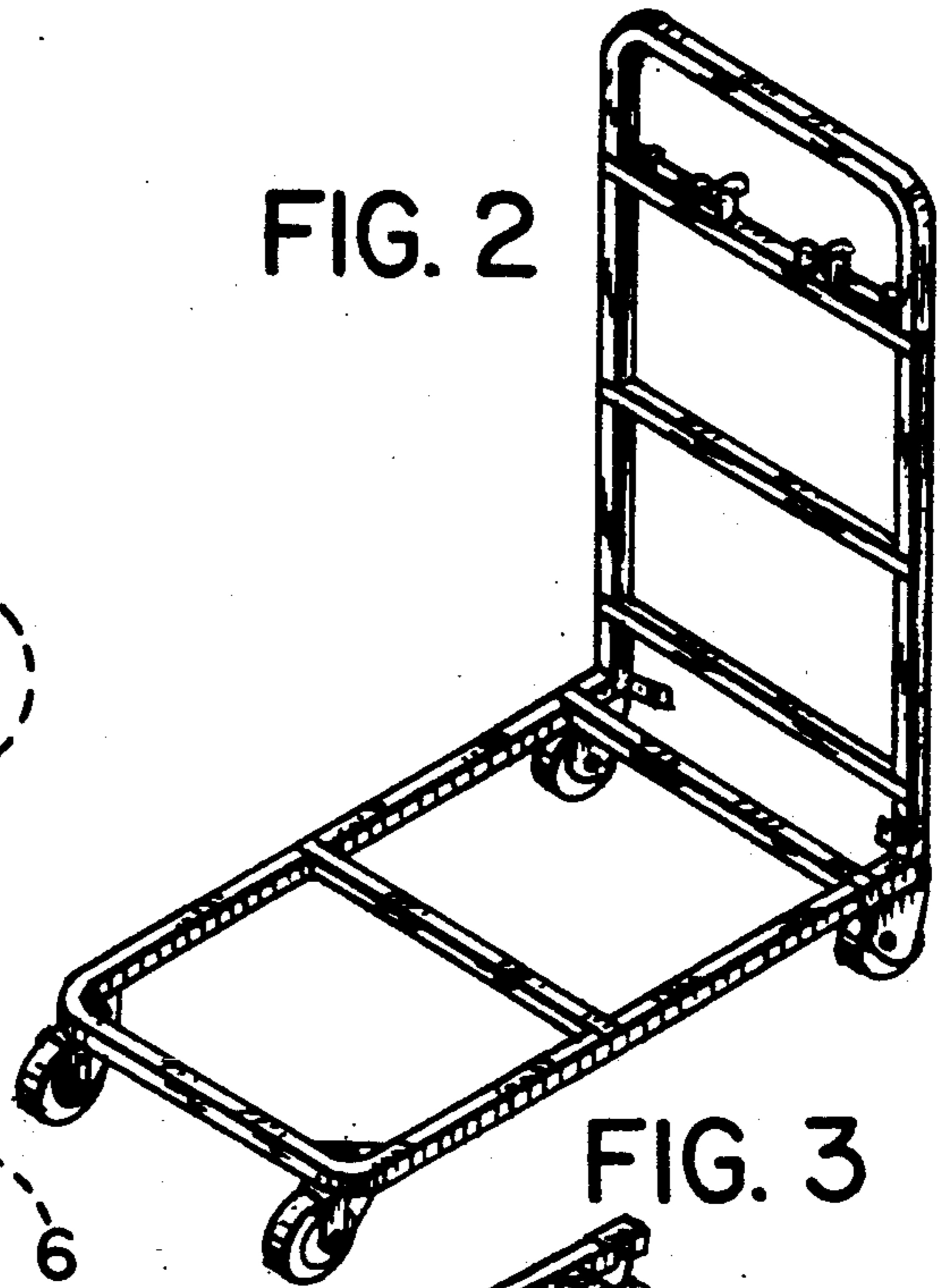


FIG. 3

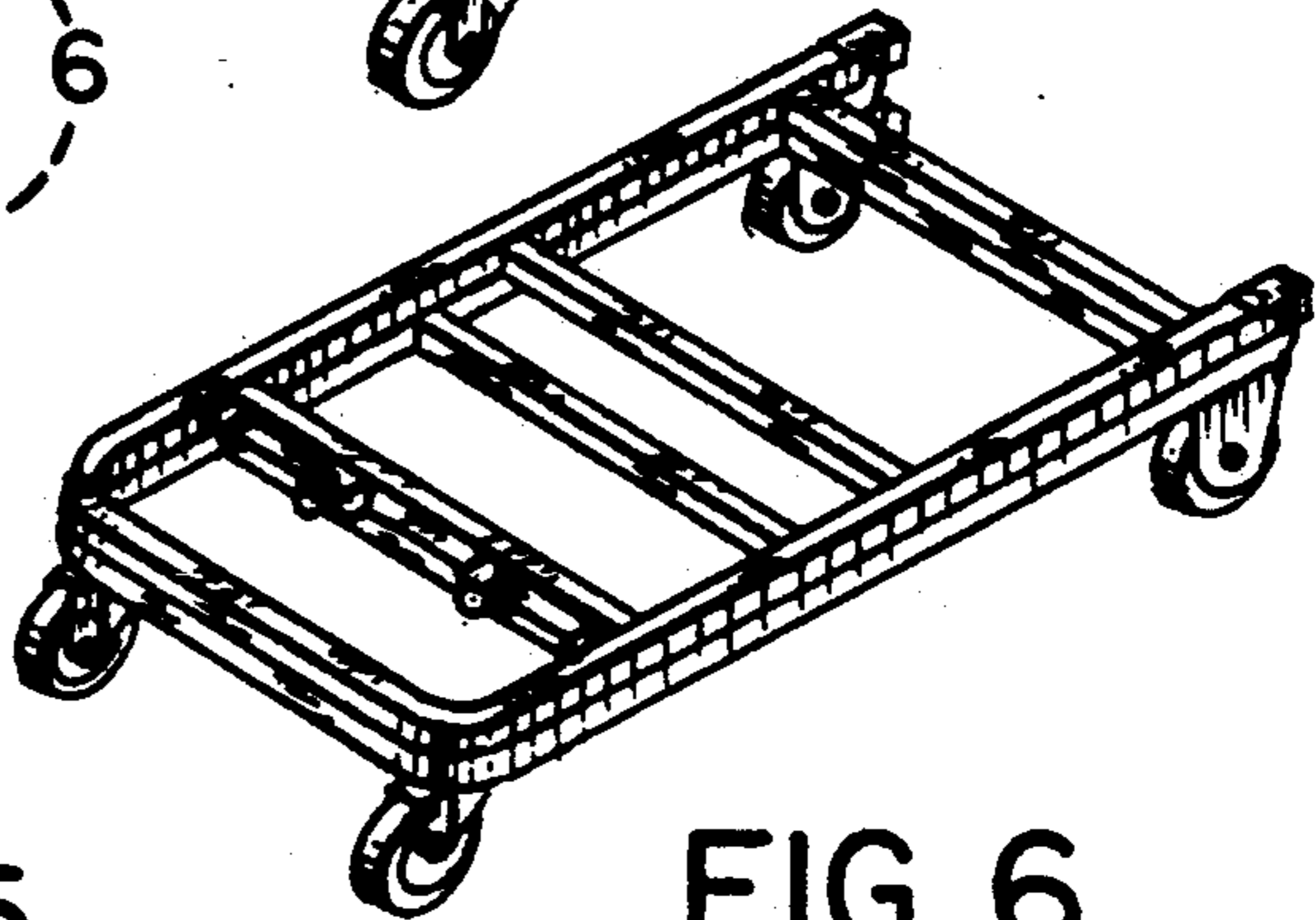


FIG. 4

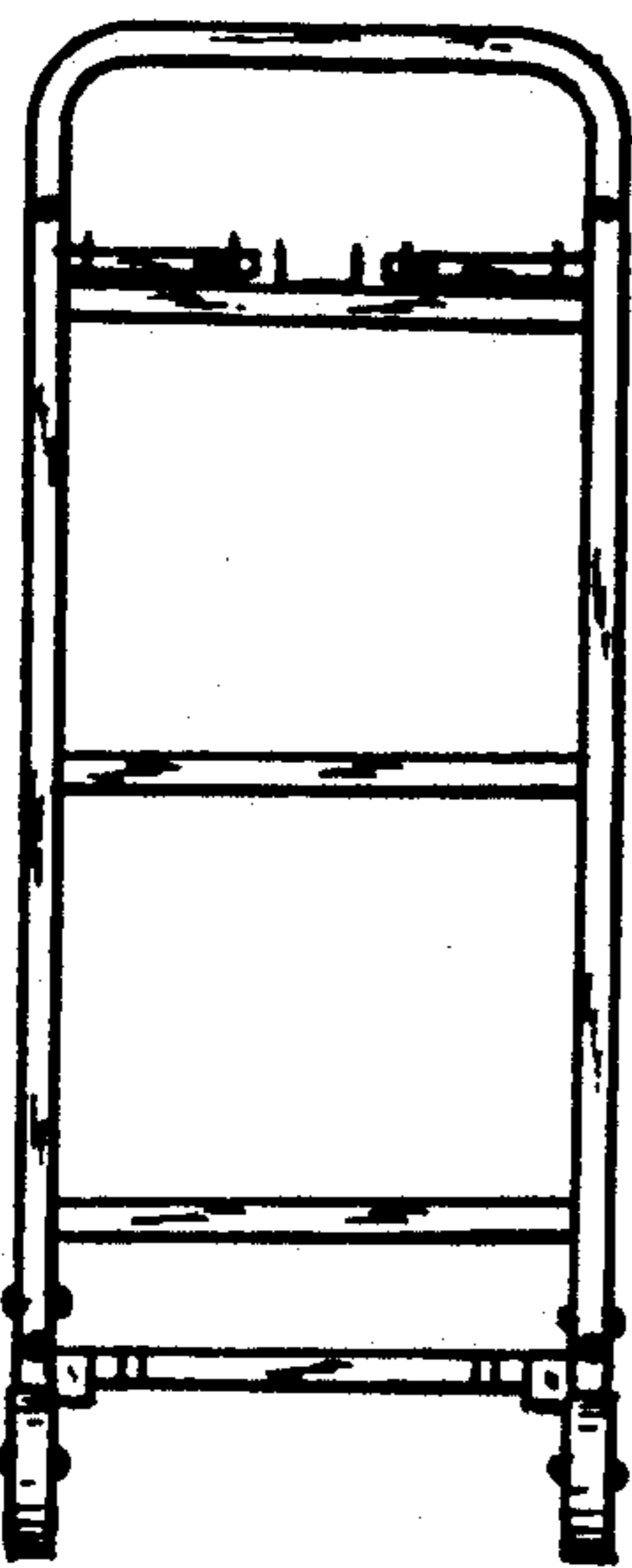


FIG. 5

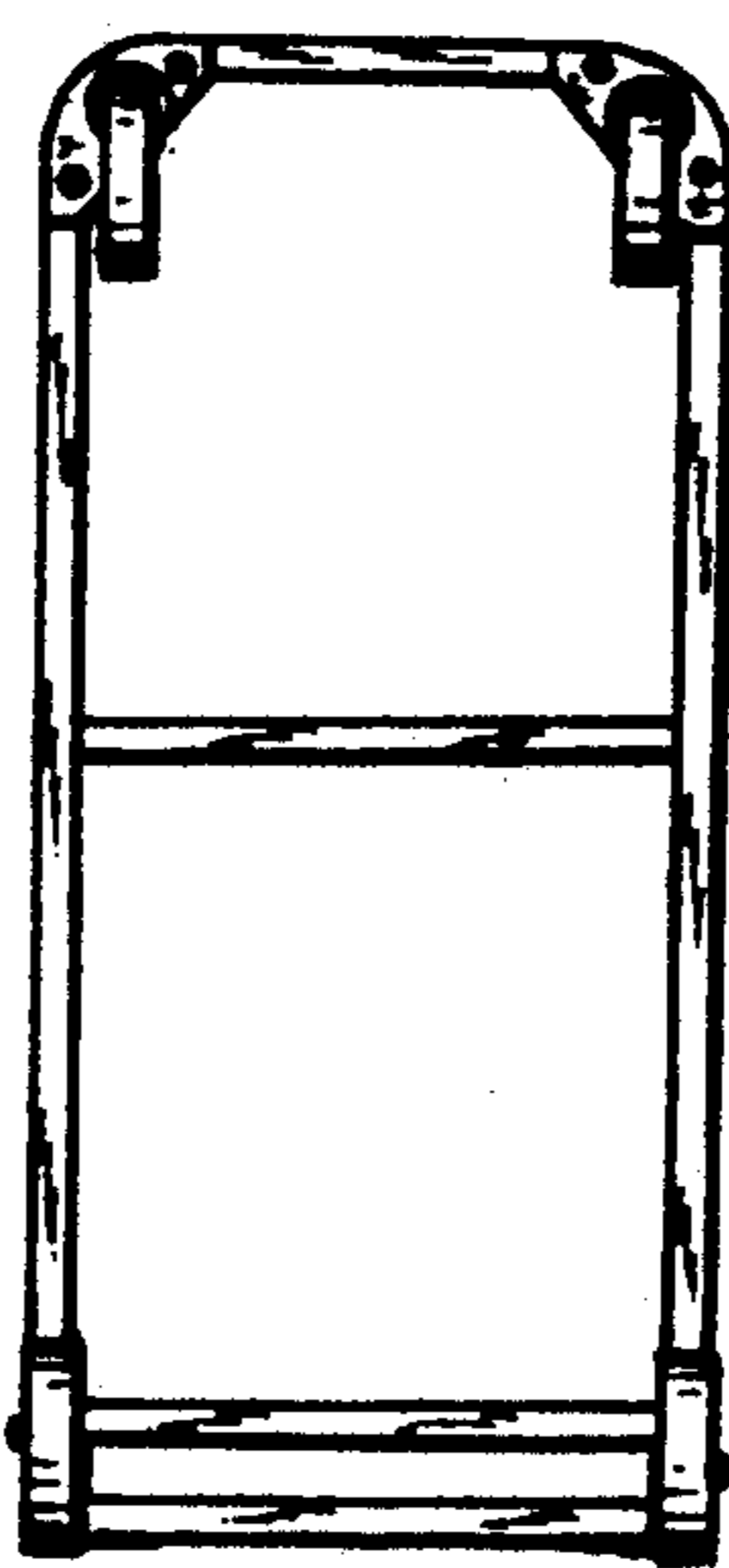


FIG. 6

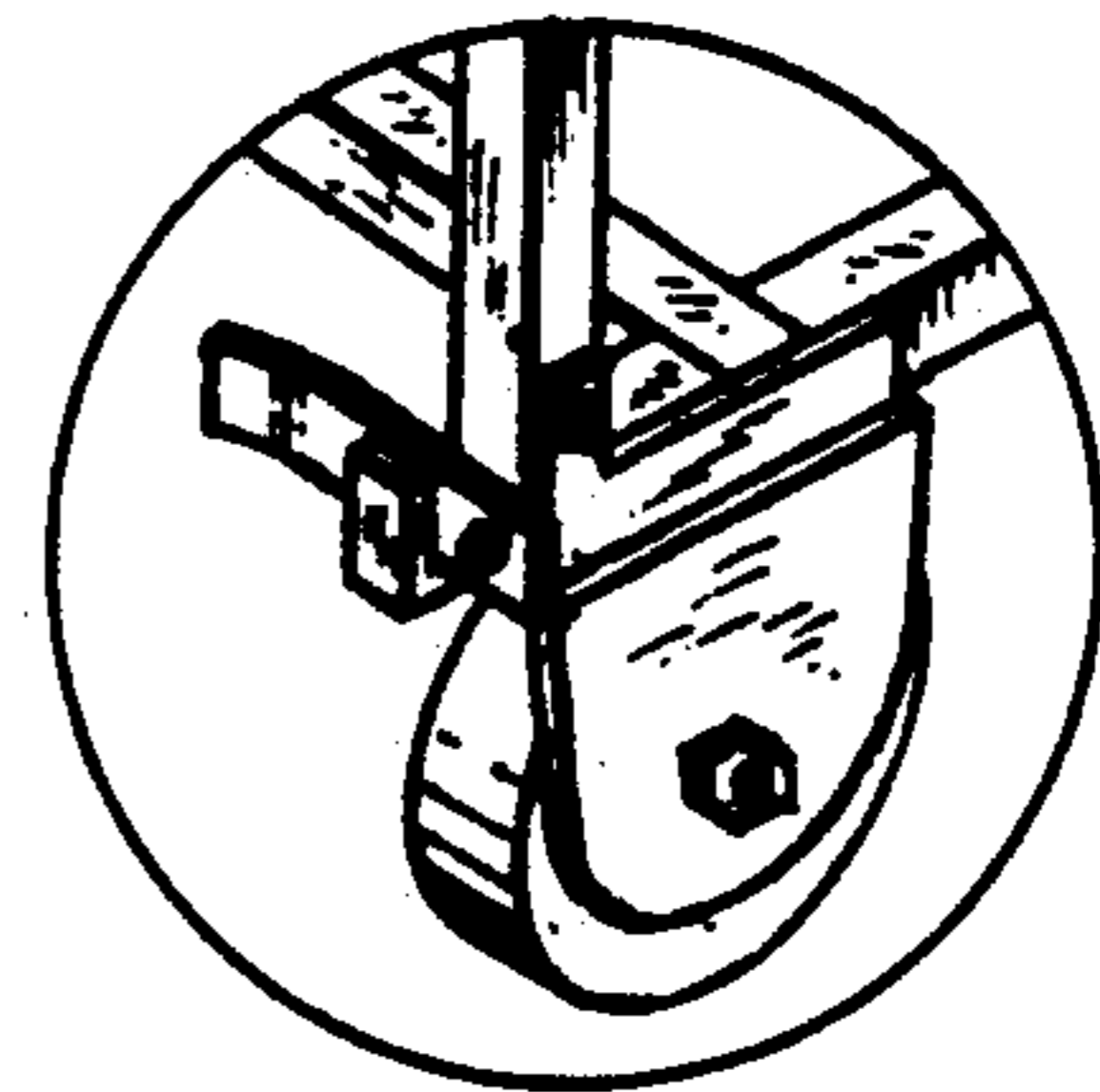


FIG. 7

