



US00D338756S

# United States Patent [19]

[11] Patent Number: **Des. 338,756**

Pink et al.

[45] Date of Patent: **\*\* Aug. 24, 1993**

[54] **COMPOST BIN**

4,687,645 8/1987 Harvey ..... 422/184  
4,797,397 1/1989 Pinder ..... 435/313

[75] Inventors: **Anthony N. Pink**, Shorewood; **Jay J. Kakuk**, Plymouth; **Jeffrey E. Zander**, Saint Louis Park; **Richard H. Jacobs**, Roseville, all of Minn.

[73] Assignee: **The Toro Company**, Minneapolis, Minn.

[\*\*] Term: **14 Years**

[21] Appl. No.: **857,285**

[22] Filed: **Mar. 24, 1992**

[52] U.S. Cl. .... **D34/1; D34/7; D8/1**

[58] Field of Search ..... **D34/1, 7; 220/908; 435/287; 47/83; 71/6; 52/192, 245; D8/1**

[56] **References Cited**

**U.S. PATENT DOCUMENTS**

197,406	11/1877	Reinecke .	
D. 263,365	3/1982	Arato .....	D34/1
D. 269,046	5/1983	Faul .....	D34/4
D. 294,993	3/1988	Faul .....	D34/1
3,293,798	12/1966	Johnson, Sr. ....	47/34.12
3,890,129	6/1975	Chester .....	71/9
3,942,769	3/1976	Whiteside et al. ....	259/81 R
4,105,412	8/1978	Petzinger .....	23/259.1
4,108,609	8/1978	Petzinger .....	23/259.1
4,125,394	11/1978	Wilson .....	71/9
4,352,888	10/1982	Tisbo et al. ....	435/287
4,683,674	8/1987	Faul .....	47/83

**OTHER PUBLICATIONS**

Photocopy of pp. 51, 55, 79, 83, 89 and 211-239 of book entitled *The Complete Book of Composting*, copyright 1960, by J. I. Rodale.

Rubbermaid Incorporated brochure, copyright 1991, entitled "Rubbermaid® Composter."

Barclay Recycling Inc. leaflet entitled "Recycling Begins At Home," copyright 1991.

Document entitled "Composters At A Glance," dated Apr. 1988.

Article from the Apr./May 1991 edition of *Yard & Garden* magazine.

*Primary Examiner*—**Kay H. Chin**

*Attorney, Agent, or Firm*—**R. Lawrence Buckley**

[57] **CLAIM**

The ornamental design for a compost bin, as shown and described.

**DESCRIPTION**

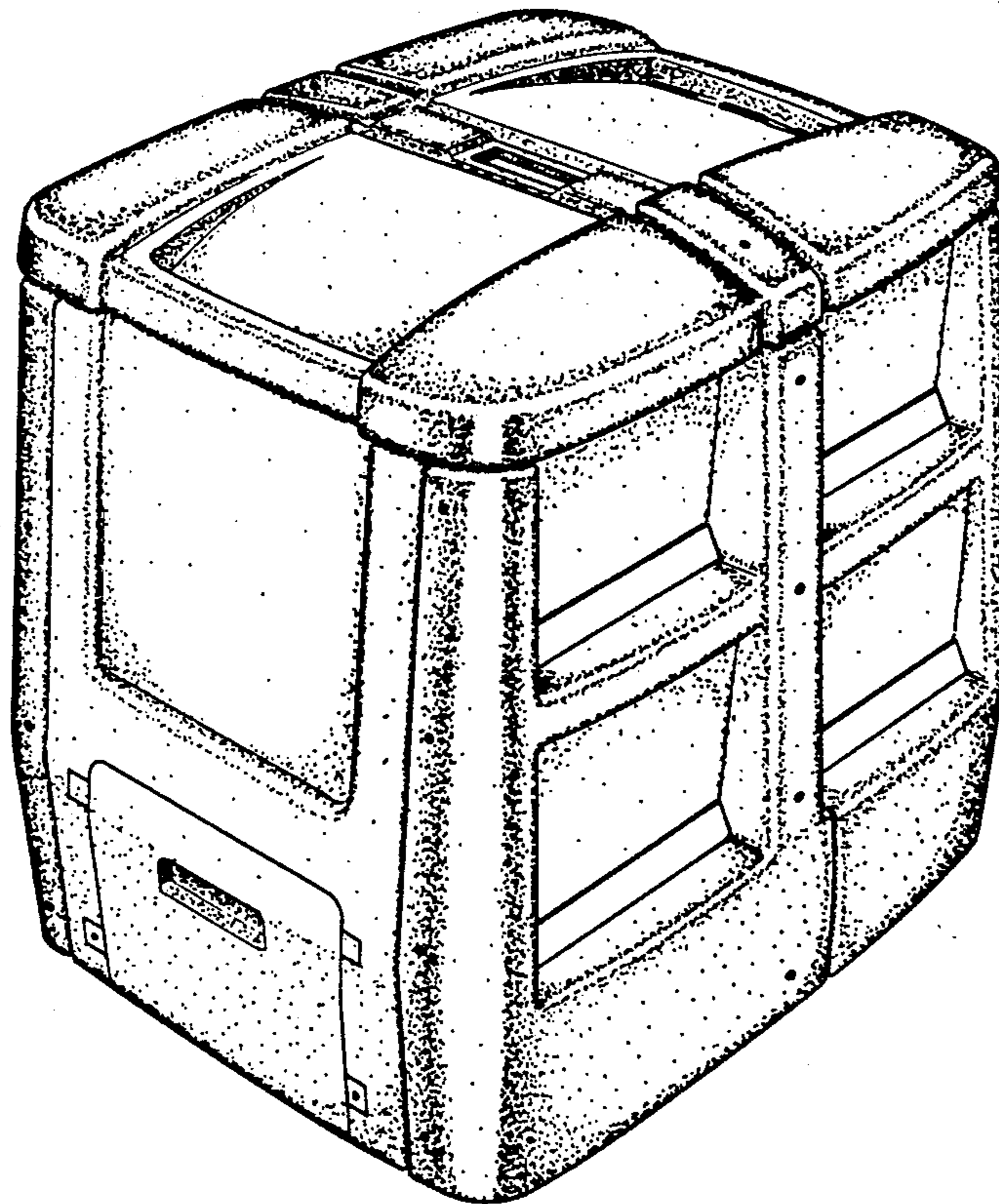
FIG. 1 is a perspective view of a compost bin, showing our new design;

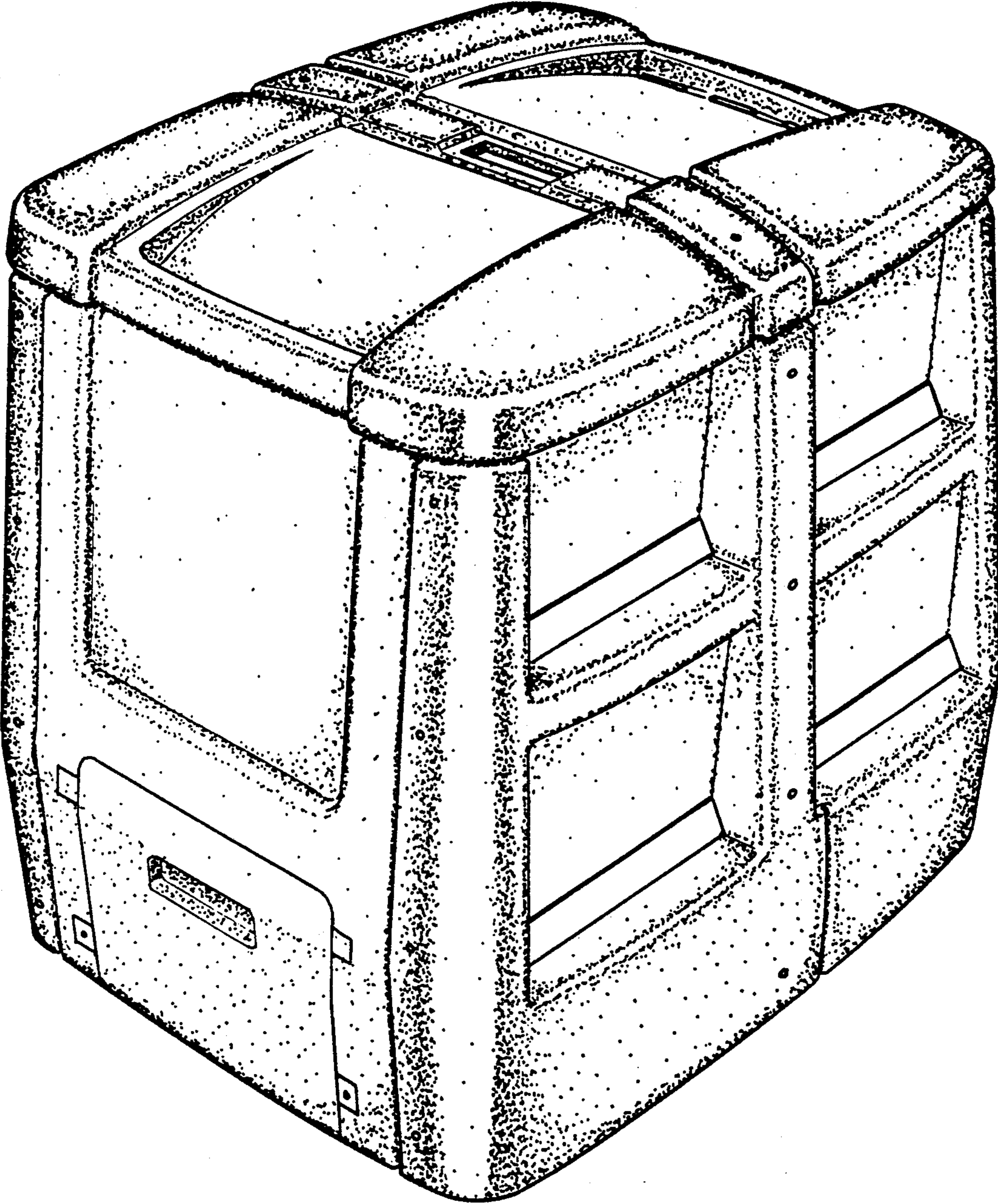
FIG. 2 is a front elevational view thereof, the rear being a mirror image;

FIG. 3 is a left side elevational view thereof, the right side being identical;

FIG. 4 is a top plan view thereof; and,

FIG. 5 is a bottom plan view thereof.





**FIG. 1**

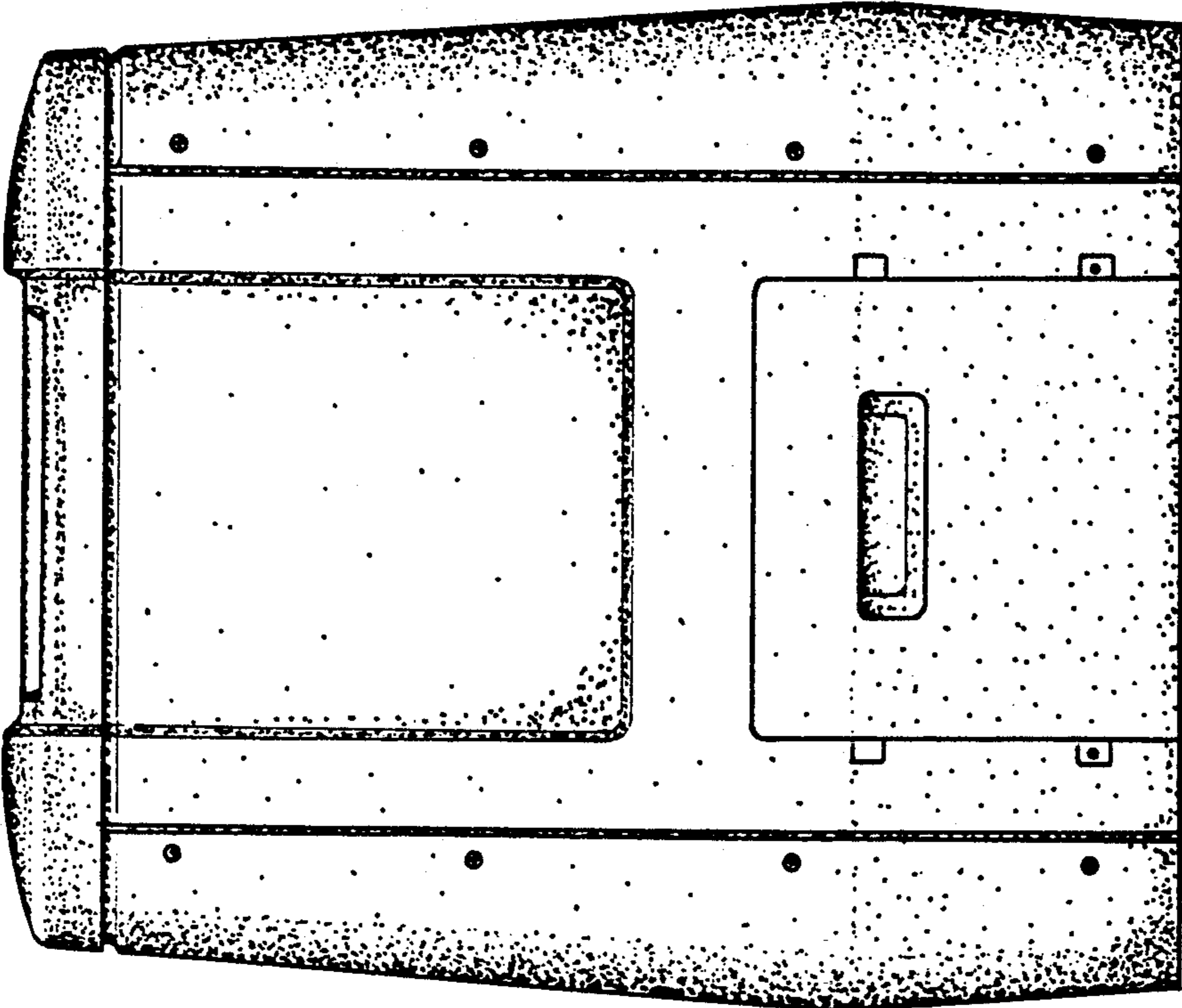


FIG. 1

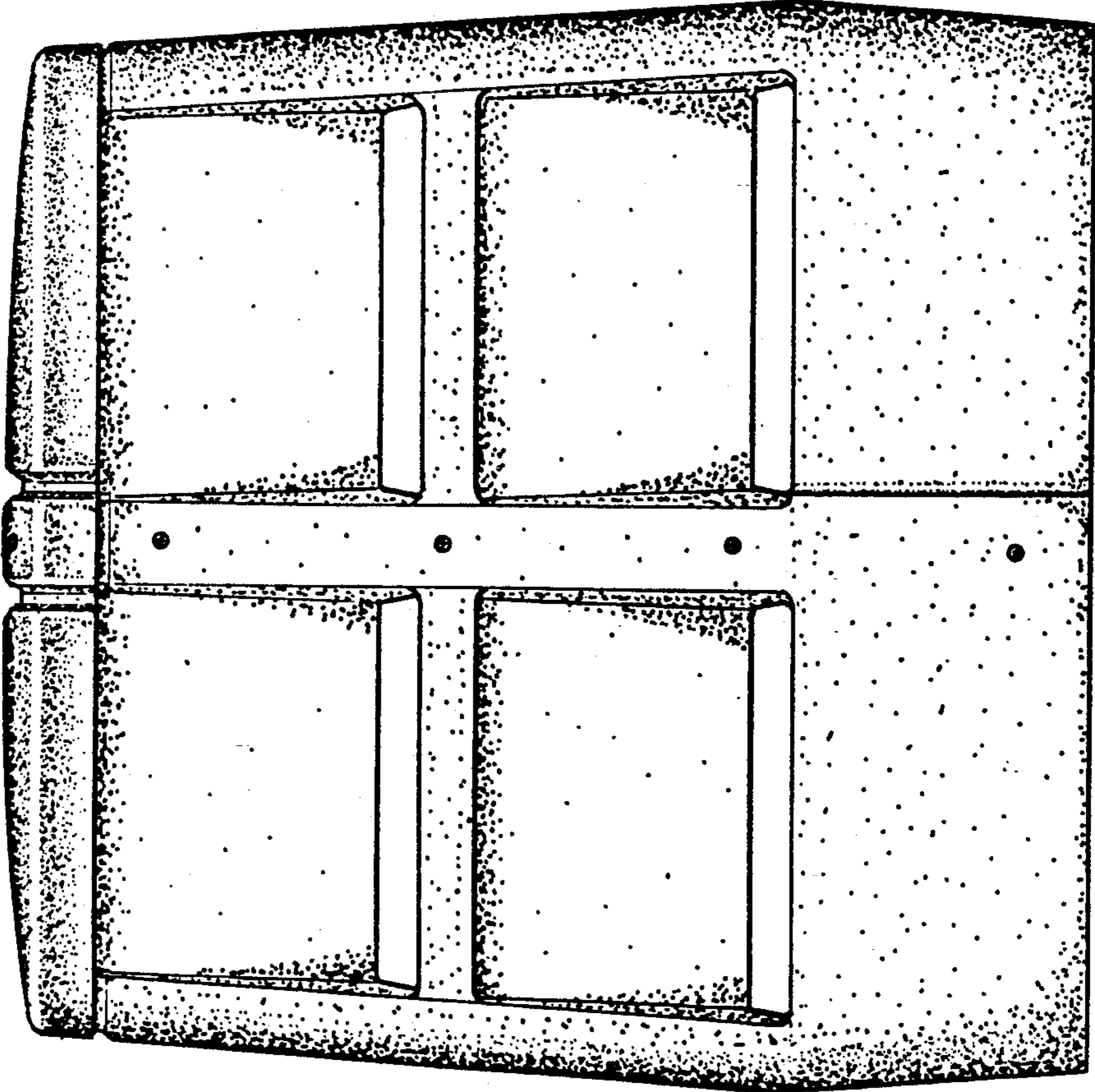
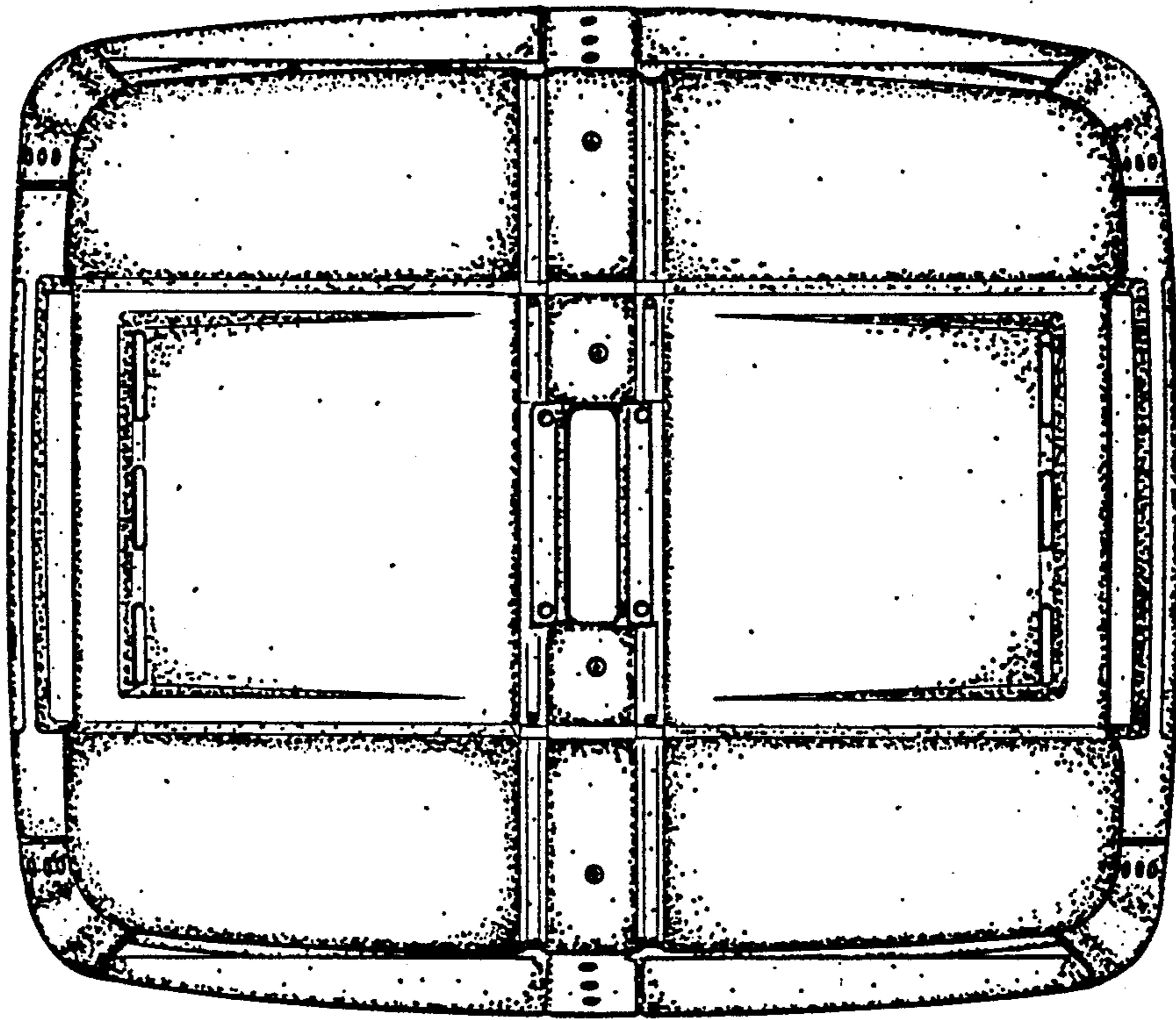
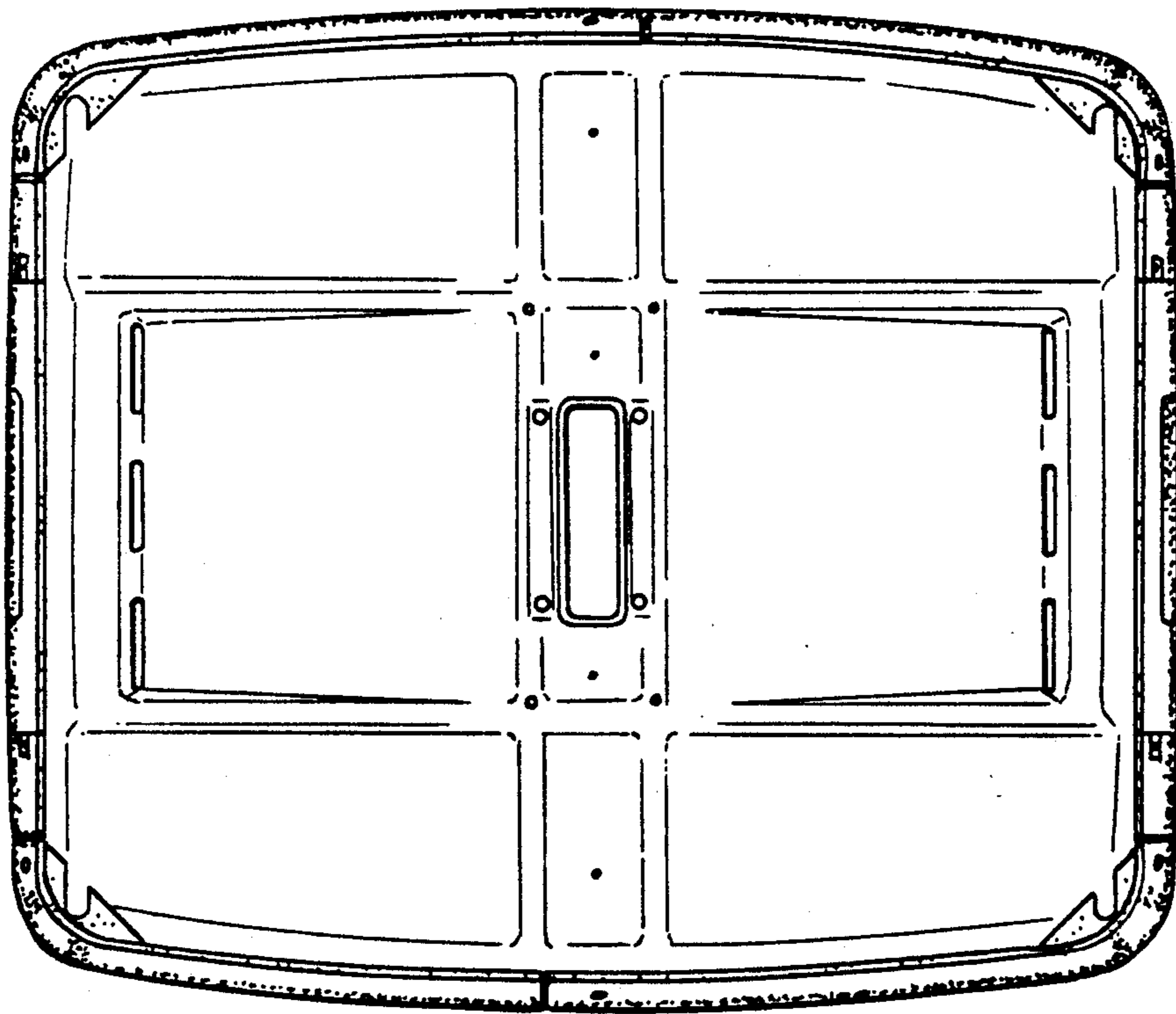


FIG. 2



*FIG. 4*



*FIG. 5*