



US00D338751S

United States Patent [19]

[11] Patent Number: **Des. 338,751**

Huff

[45] Date of Patent: **** Aug. 24, 1993**

[54] **SHOE CLEANING MACHINE**

3,060,475	10/1962	Dufault	15/36
3,641,609	2/1972	Hansen	15/36
4,724,564	2/1988	Fresh	15/36

[76] Inventor: **Dorothy Huff, 5534 Casablanca La., Apt 3, Orlando, Fla. 32807**

*Primary Examiner—Ruth McInroy
Attorney, Agent, or Firm—Terry M. Gernstein*

[**] Term: **14 Years**

[57] **CLAIM**

[21] Appl. No.: **488,850**

The ornamental design for a shoe cleaning machine, as shown and described.

[22] Filed: **Mar. 6, 1990**

[52] U.S. Cl. **D32/14.1**

[58] Field of Search **D32/1, 14.1; 15/30, 15/32-34, 36-37, 97.1, 112**

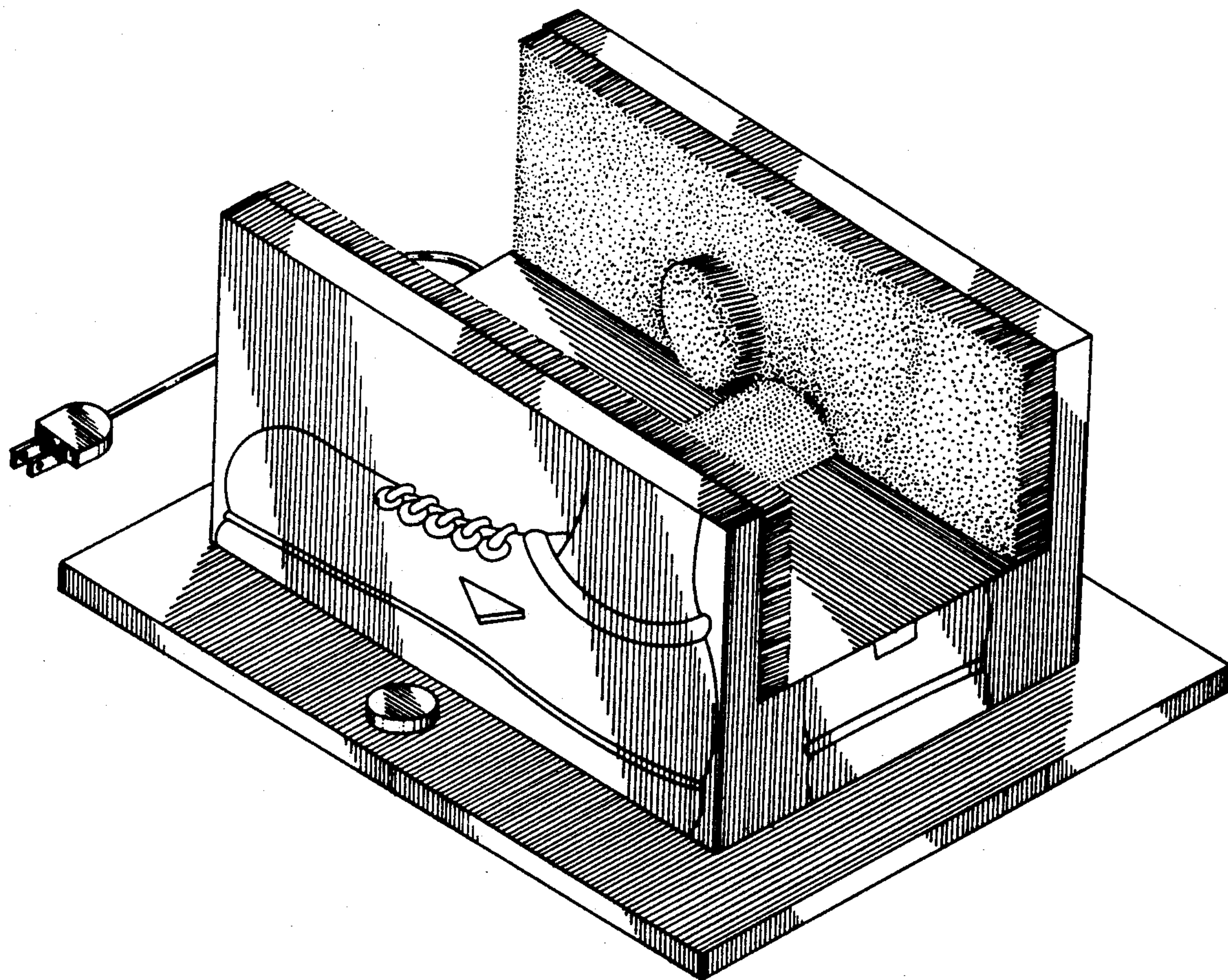
DESCRIPTION

[56] **References Cited**

FIG. 1 is a perspective view of a shoe cleaning machine showing my new design;
FIG. 2 is a side elevational view thereof, the opposite side being a mirror image;
FIG. 3 is an end elevational view thereof;
FIG. 4 is an end elevational view of the opposite side of FIG. 3; and,
FIG. 5 is a top plan view thereof.
The undisclosed bottom view is flat and unornamented.

U.S. PATENT DOCUMENTS

D. 78,033	3/1929	Lewis	D32/14.1
693,531	2/1902	McKee	
2,463,153	3/1949	Conklin	15/36
2,672,635	3/1954	Glauser	15/36
3,032,794	5/1962	Stevens	D32/14.1



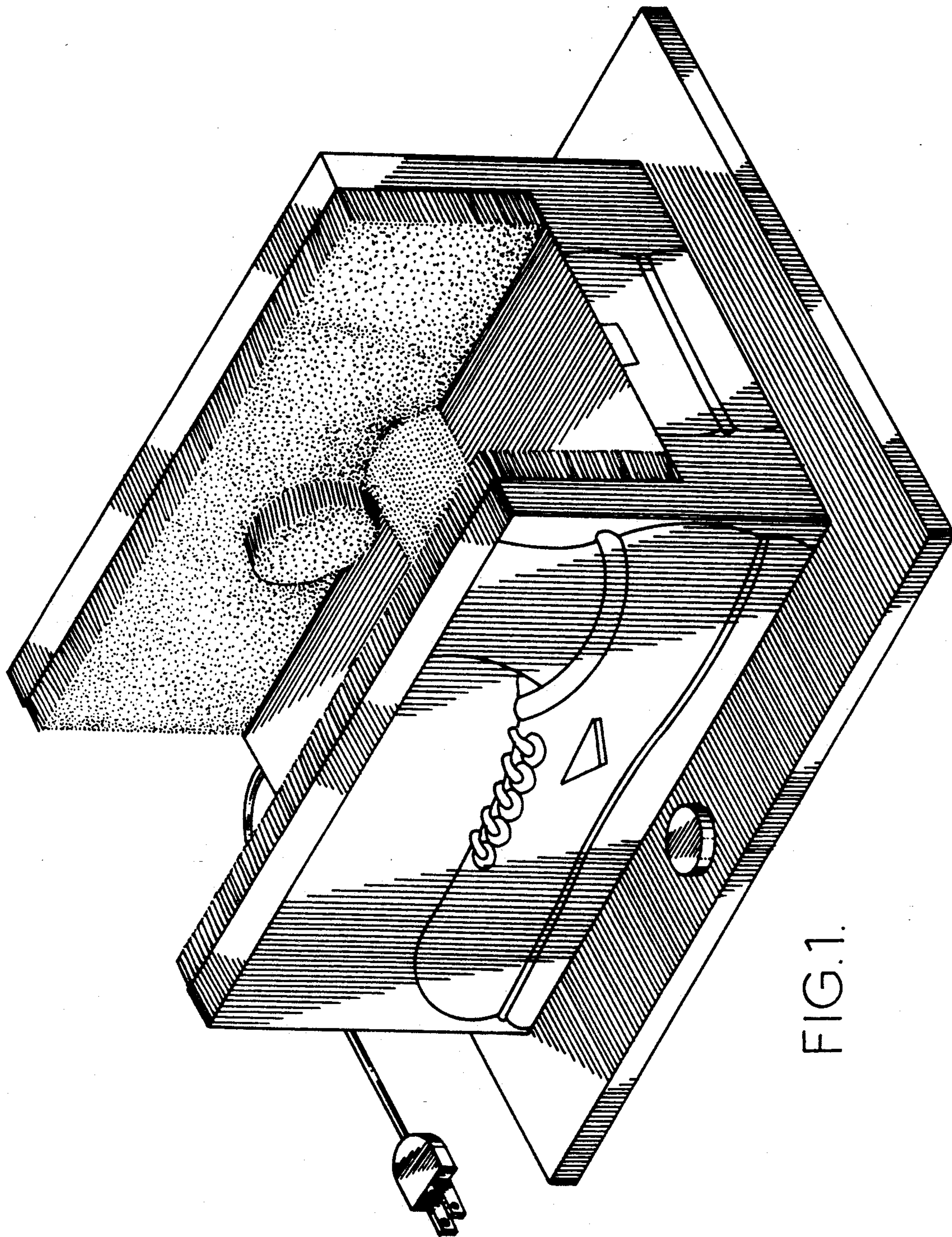


FIG.1.

FIG. 3.

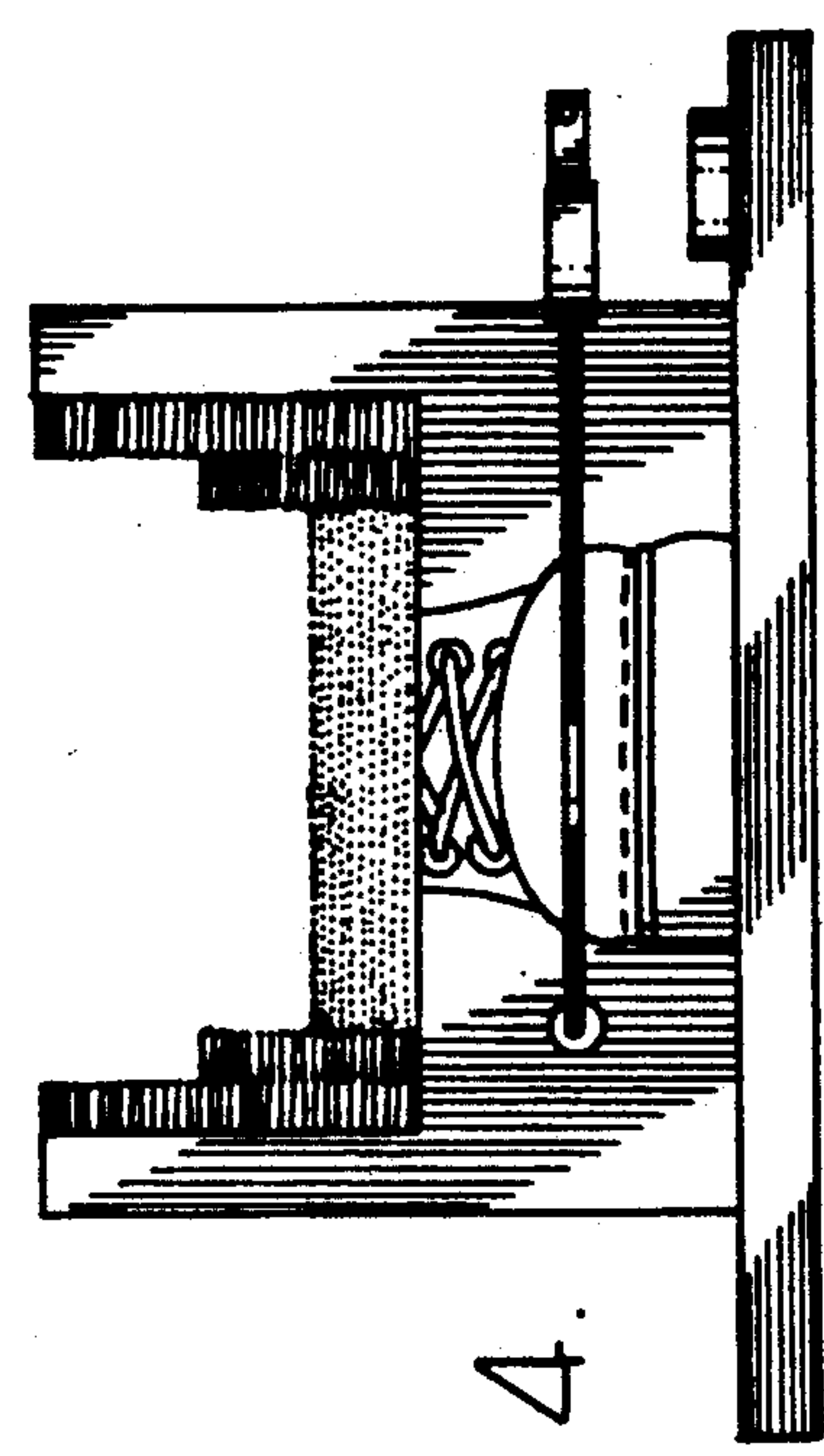
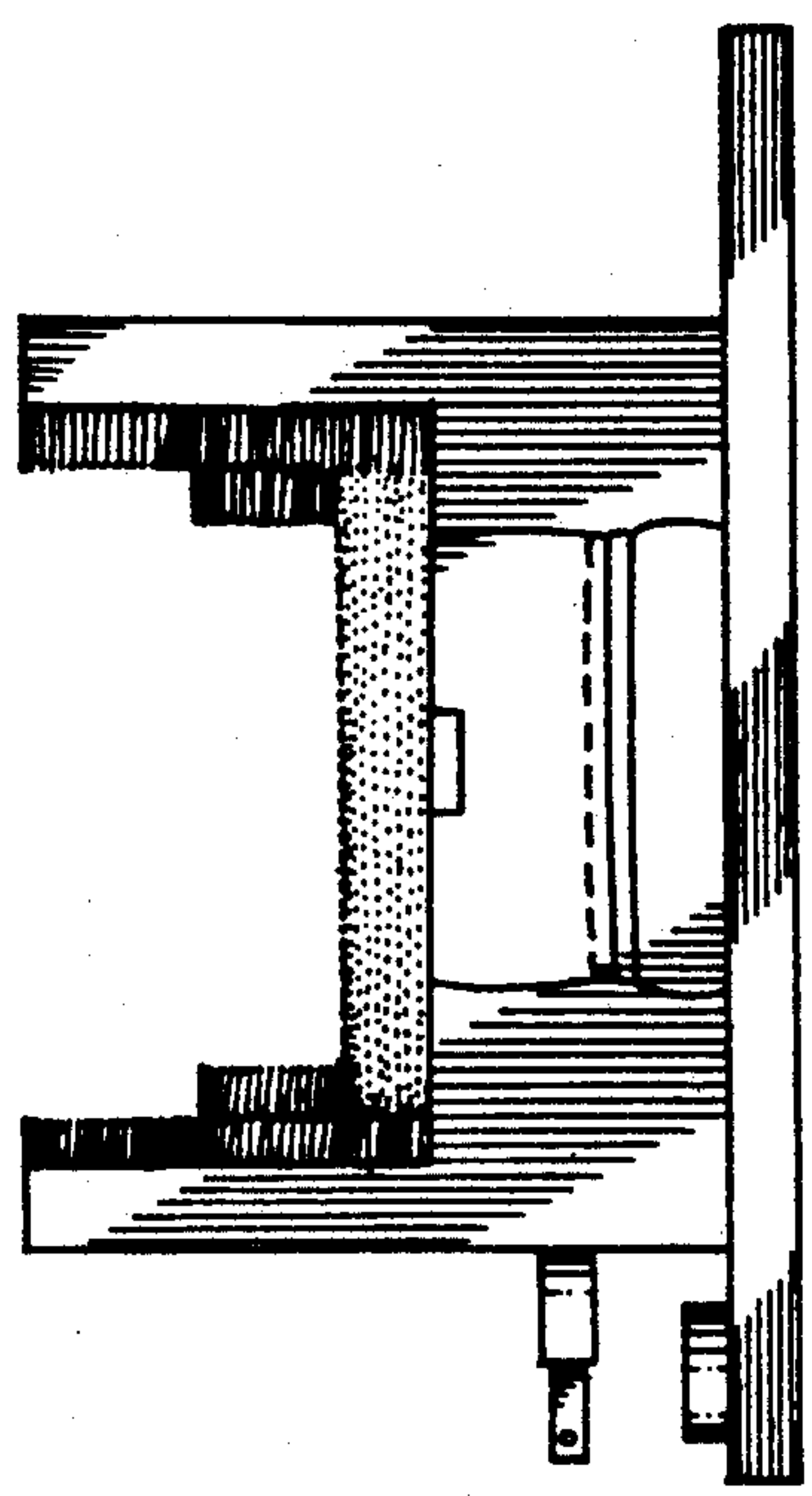


FIG. 4.

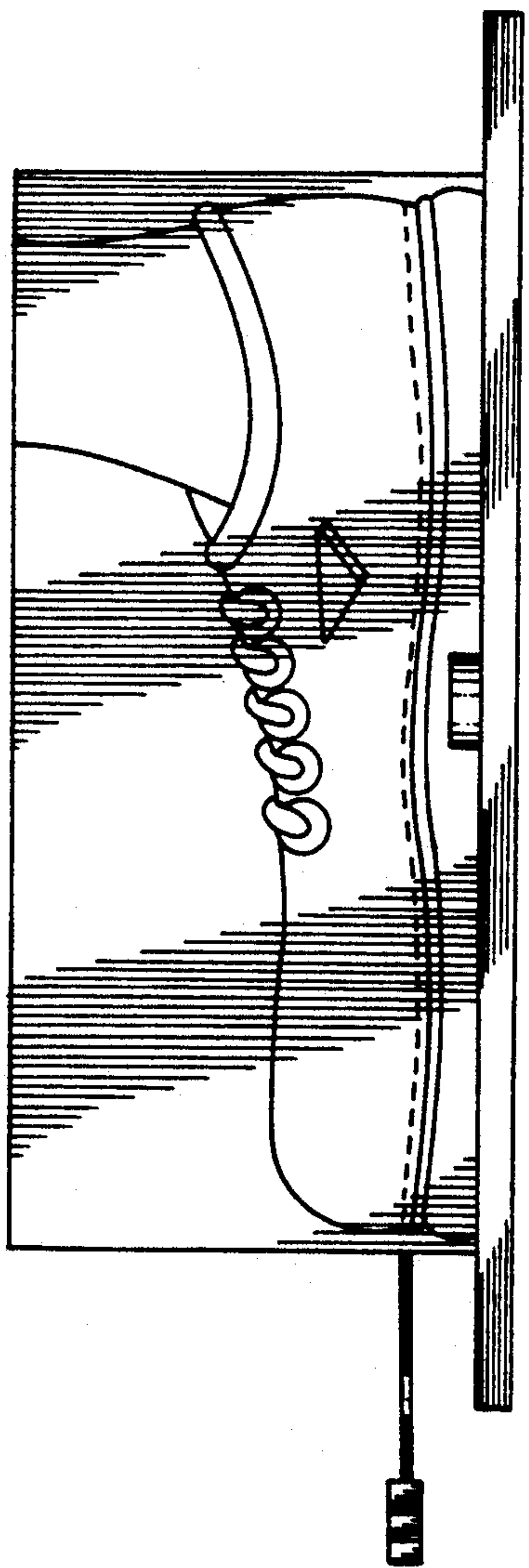


FIG. 2.

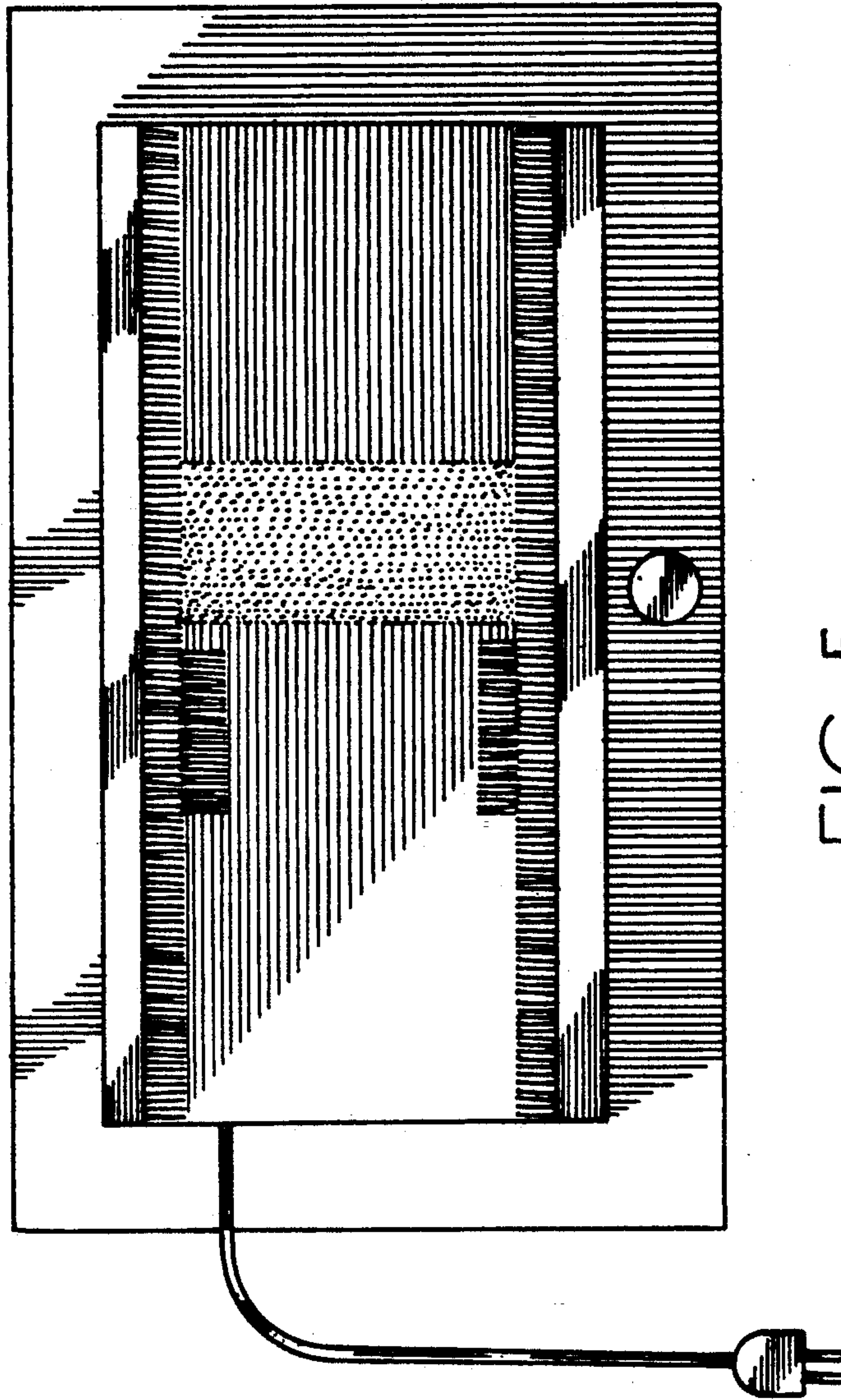


FIG. 5.