



US00D338749S

# United States Patent [19]

[11] Patent Number: **Des. 338,749**

McConnell

[45] Date of Patent: **\*\* Aug. 24, 1993**

[54] **DISHWASHER BASKET**

[76] Inventor: **Thomas E. McConnell, 1568 Calzada Ave., Santa Ynez, Calif. 93460**

[\*\*] Term: **14 Years**

[21] Appl. No.: **560,898**

[22] Filed: **Jul. 31, 1990**

[52] U.S. Cl. .... **D32/3**

[58] Field of Search ..... **D32/3, 25; 220/488, 220/516, 676; 211/74, 181, 89, 41**

4,498,594	2/1985	Elder .....	211/181
4,512,489	4/1985	Green et al. ....	220/19
4,589,556	5/1986	Peretz .....	248/311.3 X
4,732,291	3/1988	McConnell .....	220/19
4,748,993	6/1988	Llewellyn .....	211/181
4,830,200	5/1989	Zambano et al. ....	211/181
4,909,401	3/1990	McConnell .....	211/74

### FOREIGN PATENT DOCUMENTS

1642159	8/1971	Fed. Rep. of Germany .
2929227	10/1980	Fed. Rep. of Germany .
8525574.2	12/1985	Fed. Rep. of Germany .

*Primary Examiner*—Ruth McInroy  
*Attorney, Agent, or Firm*—Stetina & Brunda

### [56] References Cited

#### U.S. PATENT DOCUMENTS

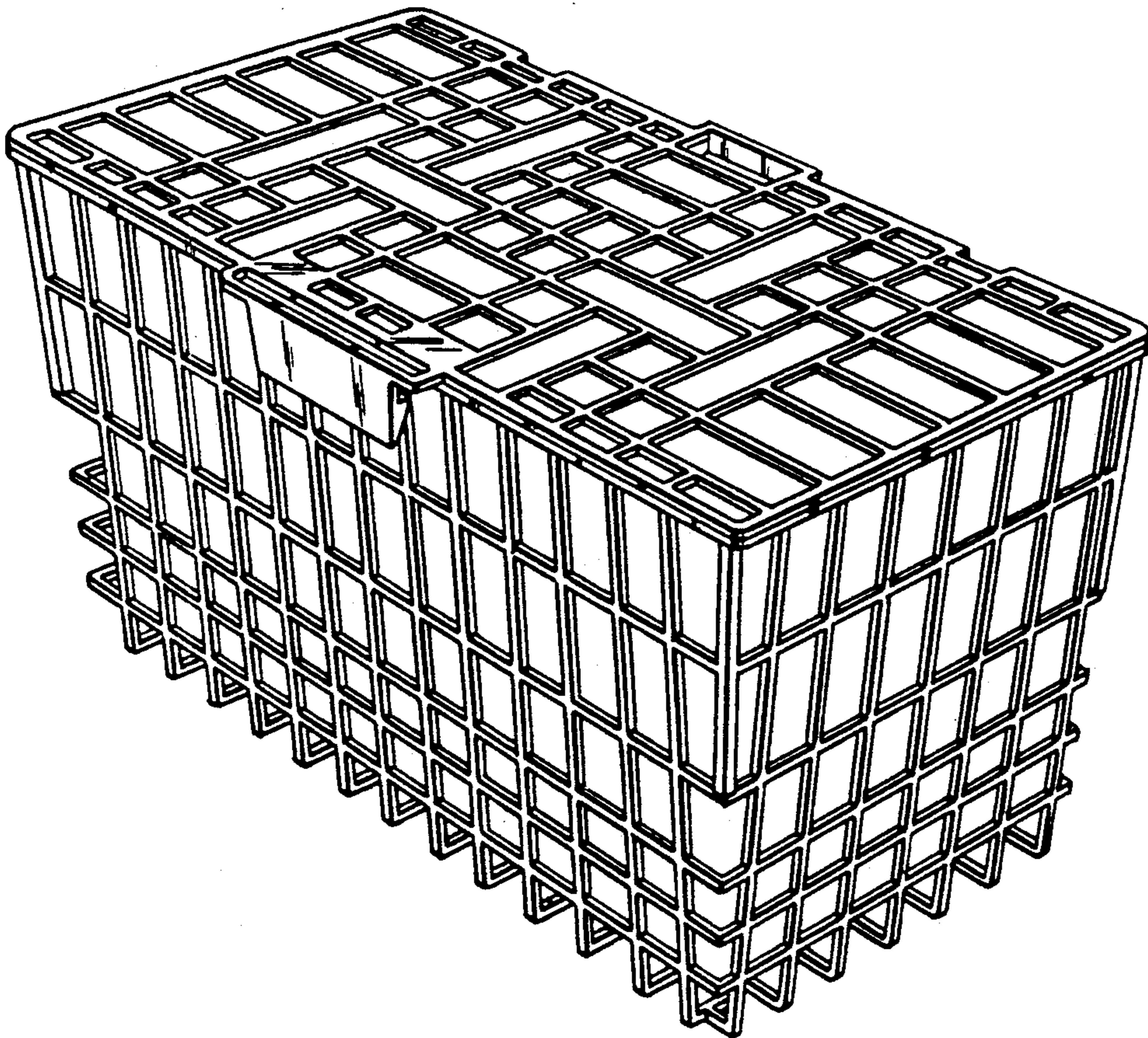
D. 212,709	11/1968	Maslow .....	D32/3
D. 254,187	2/1980	Freese .....	D32/3
D. 306,786	3/1990	Ling .....	D32/3
808,824	1/1906	Eick .....	248/313 X
843,826	2/1907	Kloepfinger .....	248/311.3 X
1,292,935	1/1919	Walsh .	
1,496,957	6/1924	Walker .	
4,2348,035	12/1980	Kassanchuk .....	211/74
2,367,448	1/1945	Thiele .....	99/409
2,586,005	2/1952	Colonna .....	220/19
2,620,588	12/1952	Critzler .....	43/55
2,741,392	4/1956	Weiss .....	220/19
3,289,854	12/1966	Kauffman .....	248/313 X
4,193,588	3/1980	Doneaux .....	269/47

### [57] CLAIM

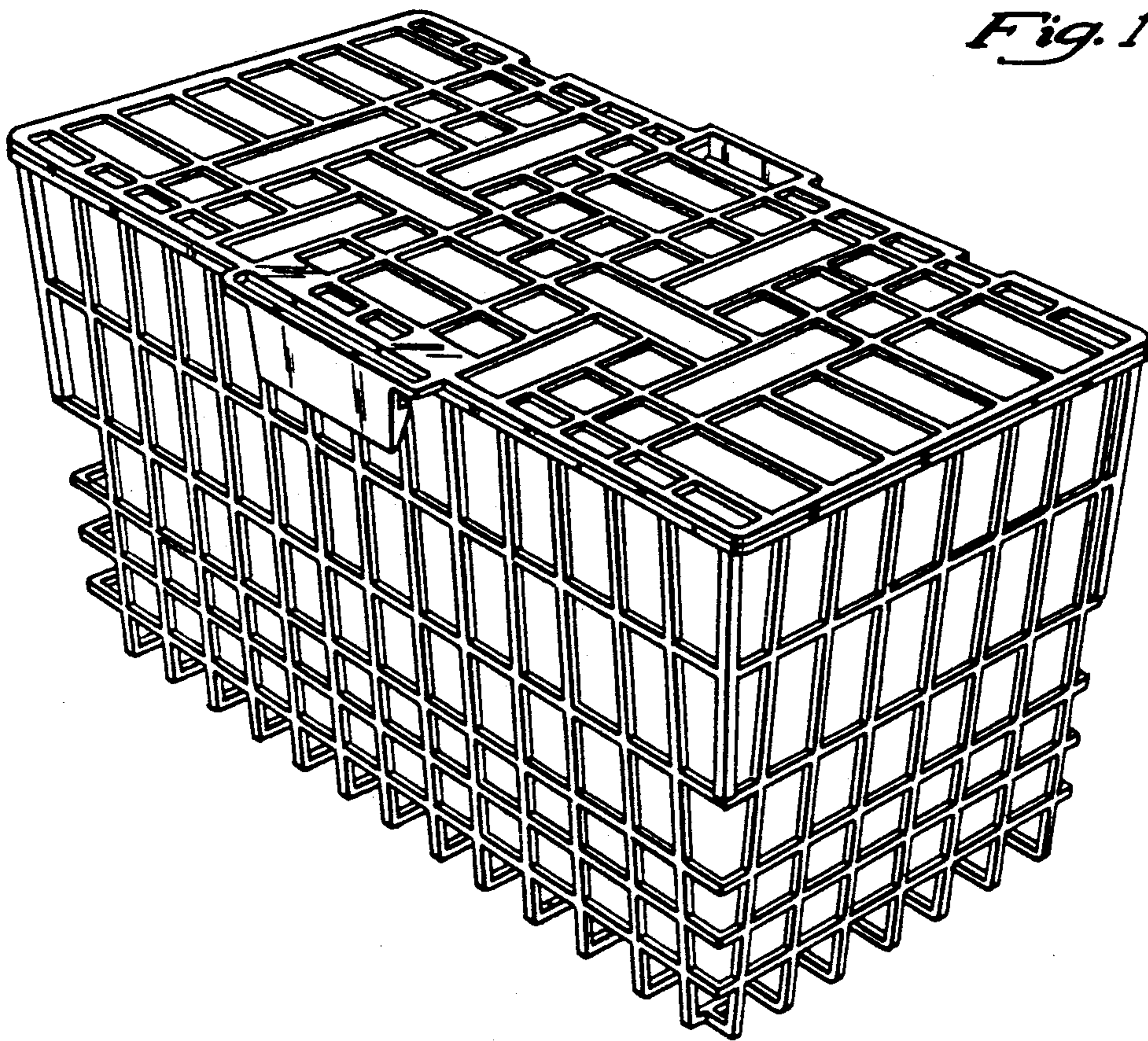
The ornamental design for an dishwasher basket, as shown and described.

### DESCRIPTION

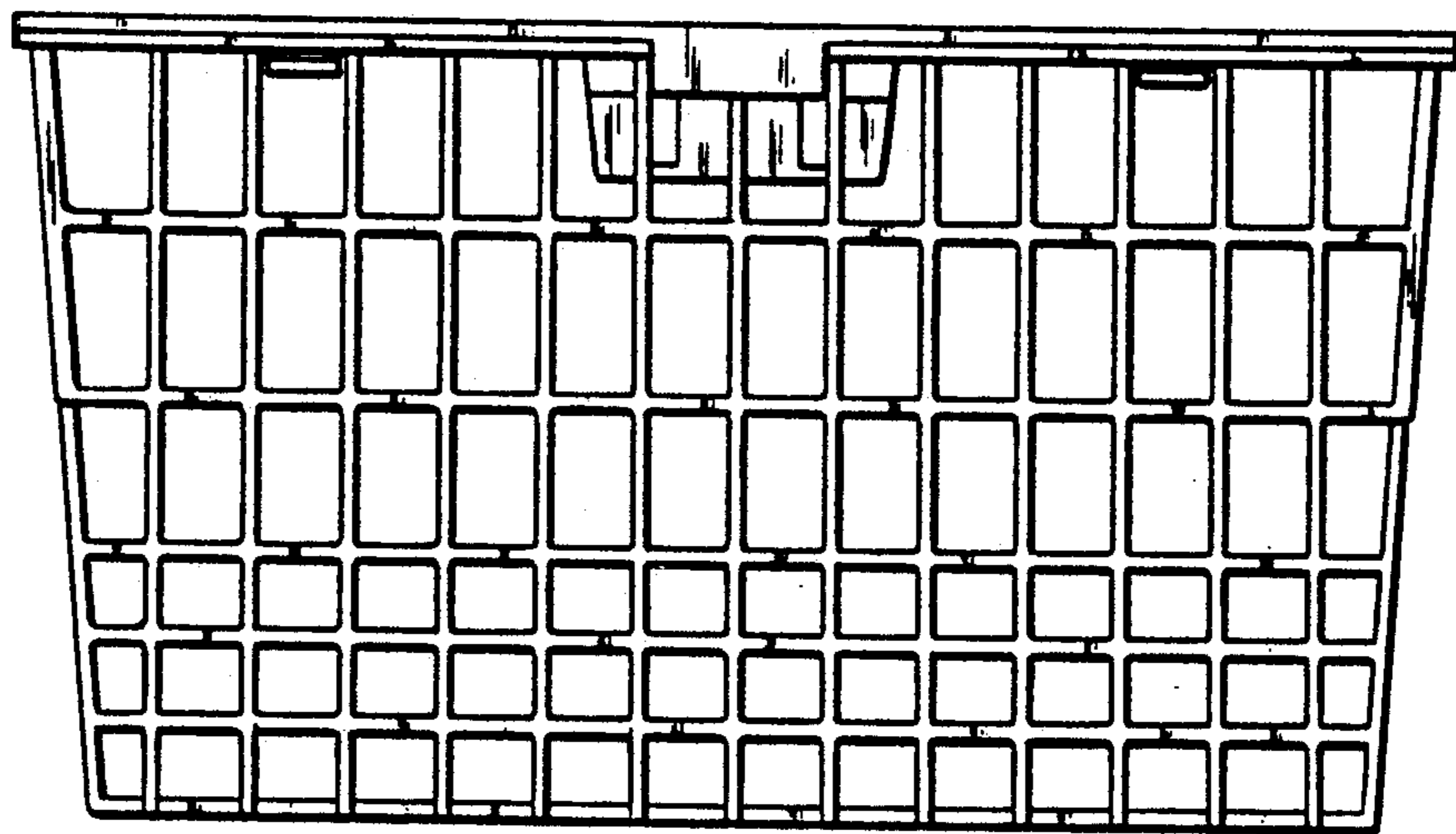
FIG. 1 is a top, front and right side perspective view of a dishwasher basket showing my new design, the bottom, rear and left side which would be seen through the openings have been omitted for clarity of illustration; FIG. 2 is a rear elevational view thereof; FIG. 3 is a right side elevational view thereof; FIG. 4 is a bottom plan view thereof; and, FIG. 5 is a top plan view thereof.



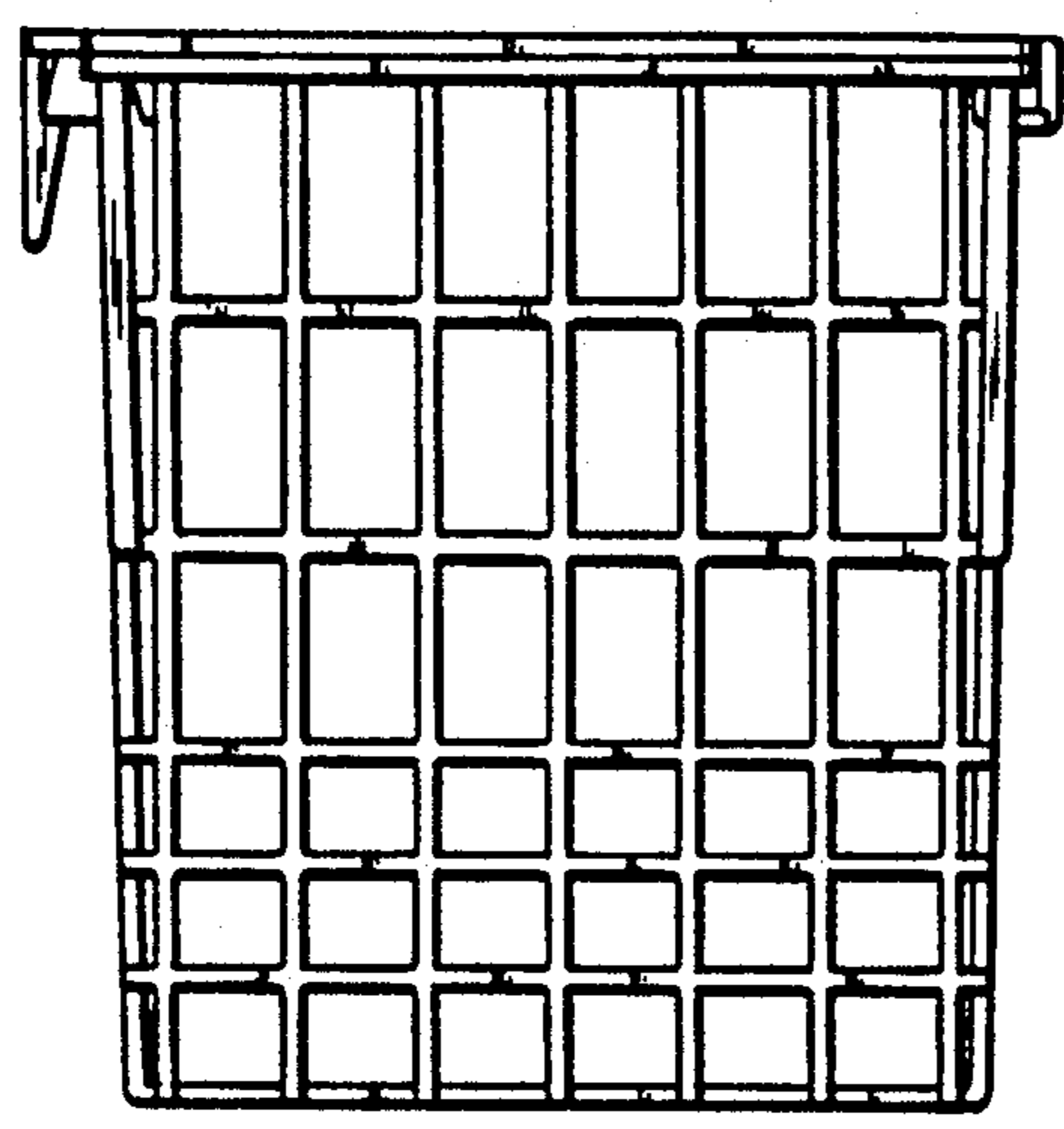




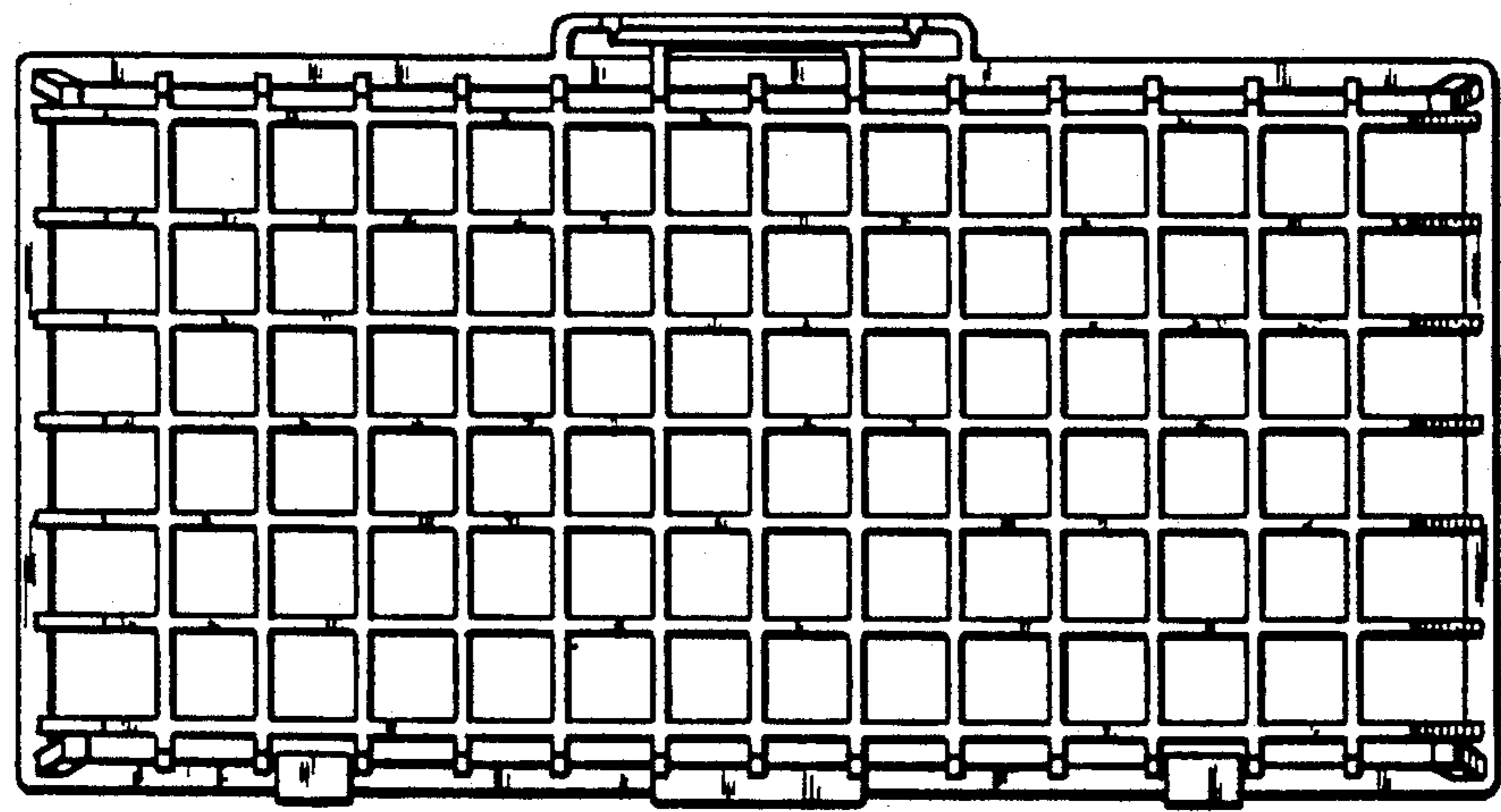
*Fig. 1*



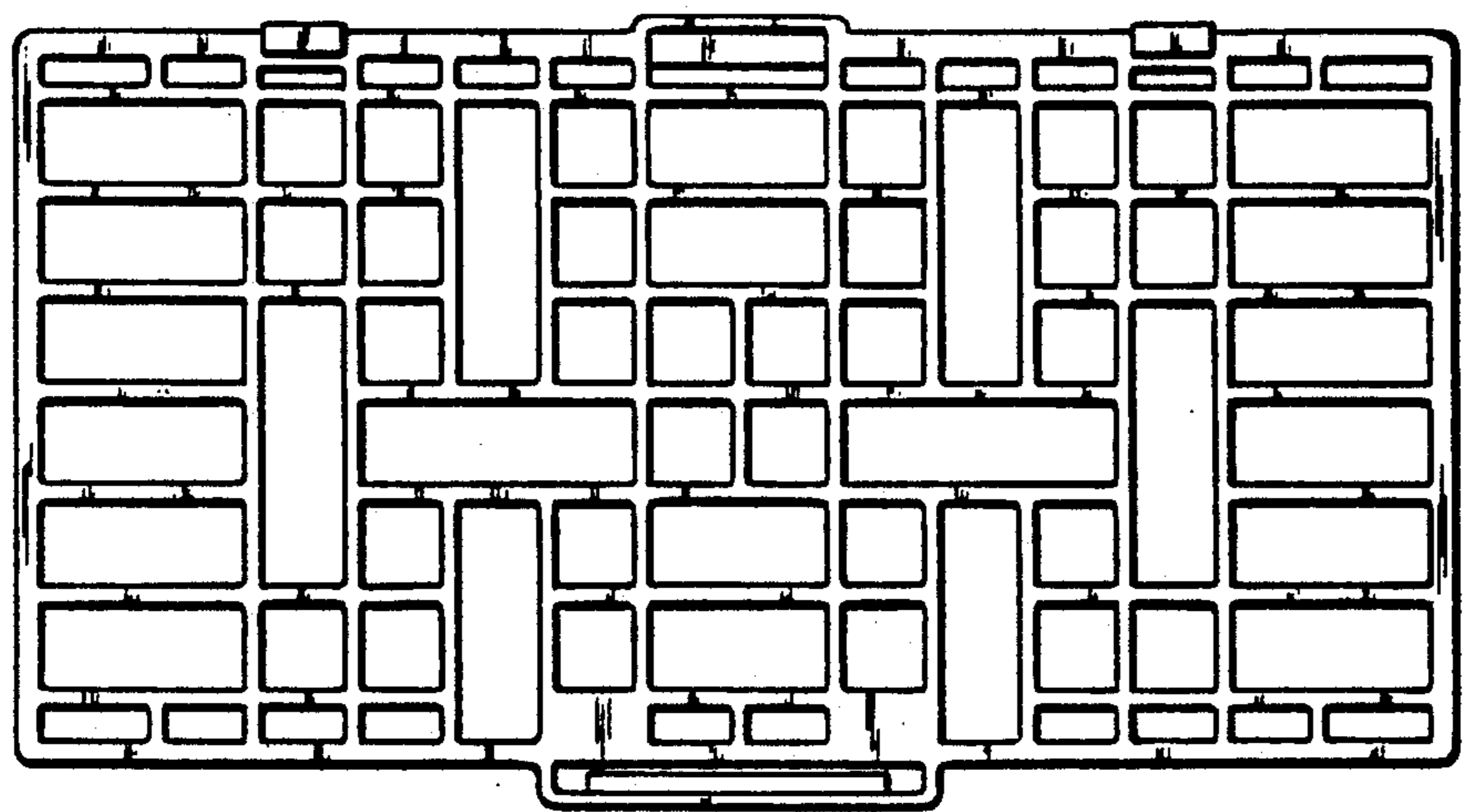
*Fig. 2*



*Fig. 3*



*Fig. 4*



*Fig. 5*