



US00D338744S

United States Patent [19]

[11] Patent Number: **Des. 338,744**

Marlon et al.

[45] Date of Patent: **** Aug. 24, 1993**

[54] DOG BED

[76] Inventors: **John Marlon; Dianne Marlon**, both of 2016 Casa Vista, Las Vegas, Nev. 89102

[**] Term: **14 Years**

[21] Appl. No.: **765,720**

[22] Filed: **Sep. 26, 1991**

[52] U.S. Cl. **D30/118; D6/382**

[58] Field of Search **D6/382, 392; 5/110, 5/132; D30/118; 119/28.5, 3, 19, 28**

[56] References Cited

U.S. PATENT DOCUMENTS

D. 127,708	6/1941	McGillicuddy	D30/118
740,550	10/1903	Gillespie	5/132
1,820,283	8/1931	Mills	5/110
1,820,284	8/1931	Mills	119/28.5
1,851,499	3/1932	Edwards	5/110
2,900,956	8/1959	Hoffman	119/15
2,980,058	4/1961	Hoffman	119/28.5
3,054,120	9/1962	Fronsoe, Jr.	5/9.1
3,097,368	7/1963	Collins	5/114
3,125,663	3/1964	Hoffman	119/217
3,402,506	9/1968	Renfro	119/3
3,565,040	2/1971	Pohl	119/28.5
3,956,781	5/1976	Reemelin	5/110
4,688,281	8/1987	Lantz	5/111

FOREIGN PATENT DOCUMENTS

25918 9/1952 Finland 5/110

OTHER PUBLICATIONS

Cat Fancy Magazine; p. 79; The Double-Decker Kitty Kot; (left center of page).
House & Garden Magazine; p. 123; Animal Sling Bed by the Hitching Post.
Spencer's Catalog; p. 44; Pet Hammock.

Primary Examiner—A. Hugo Word
Assistant Examiner—CathyAnne MacCormac
Attorney, Agent, or Firm—Shlesinger, Arkwright & Garvey

[57] CLAIM

The ornamental design for a dog bed, as shown and described.

DESCRIPTION

FIG. 1 is a top perspective view of a dog bed, showing our new design;
FIG. 2 is a top plan view thereof;
FIG. 3 is a side elevational view thereof, the other side not shown being identical;
FIG. 4 is a rear elevational view thereof, the other end not shown being identical; and,
FIG. 5 is a bottom plan view thereof.

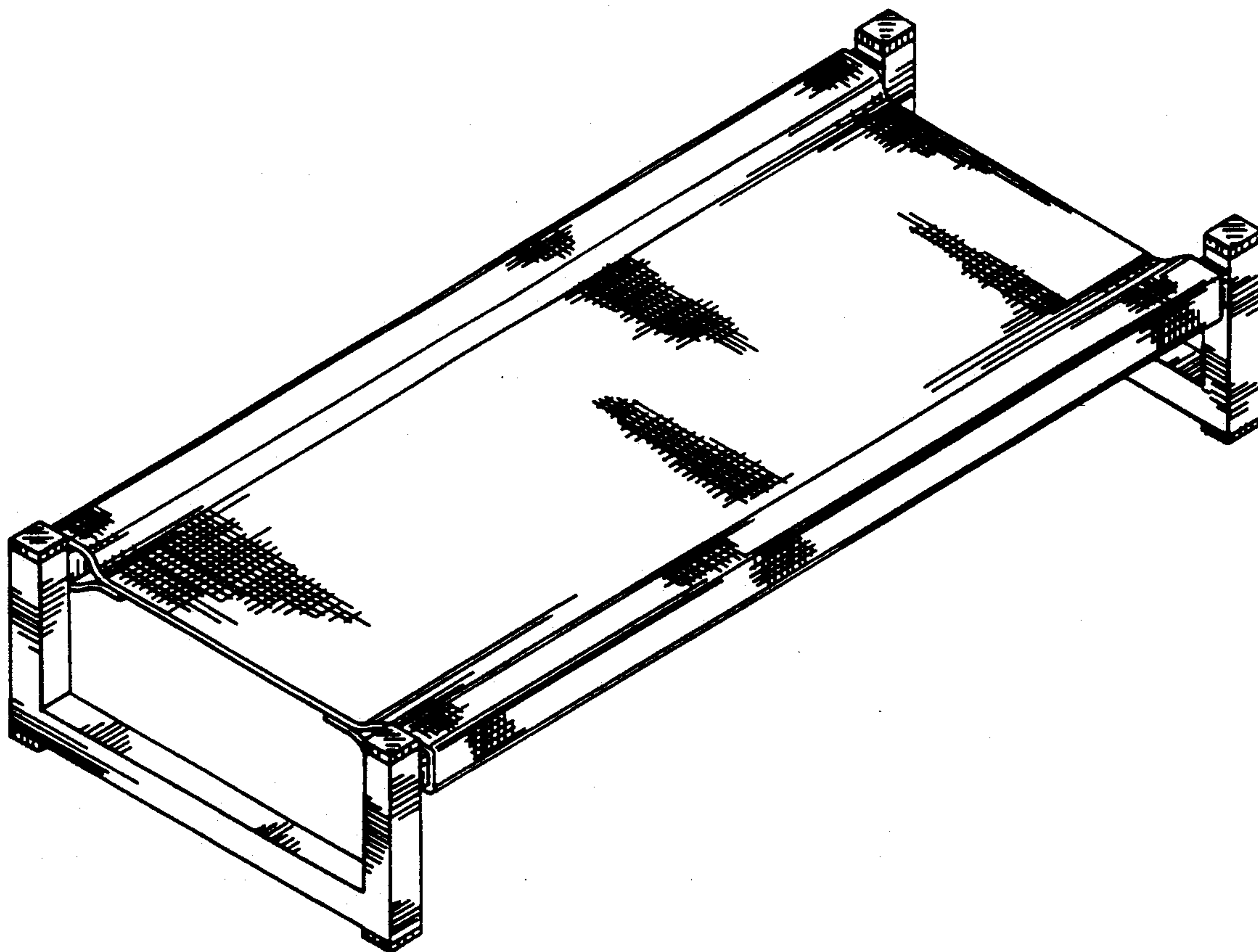


Fig. 1

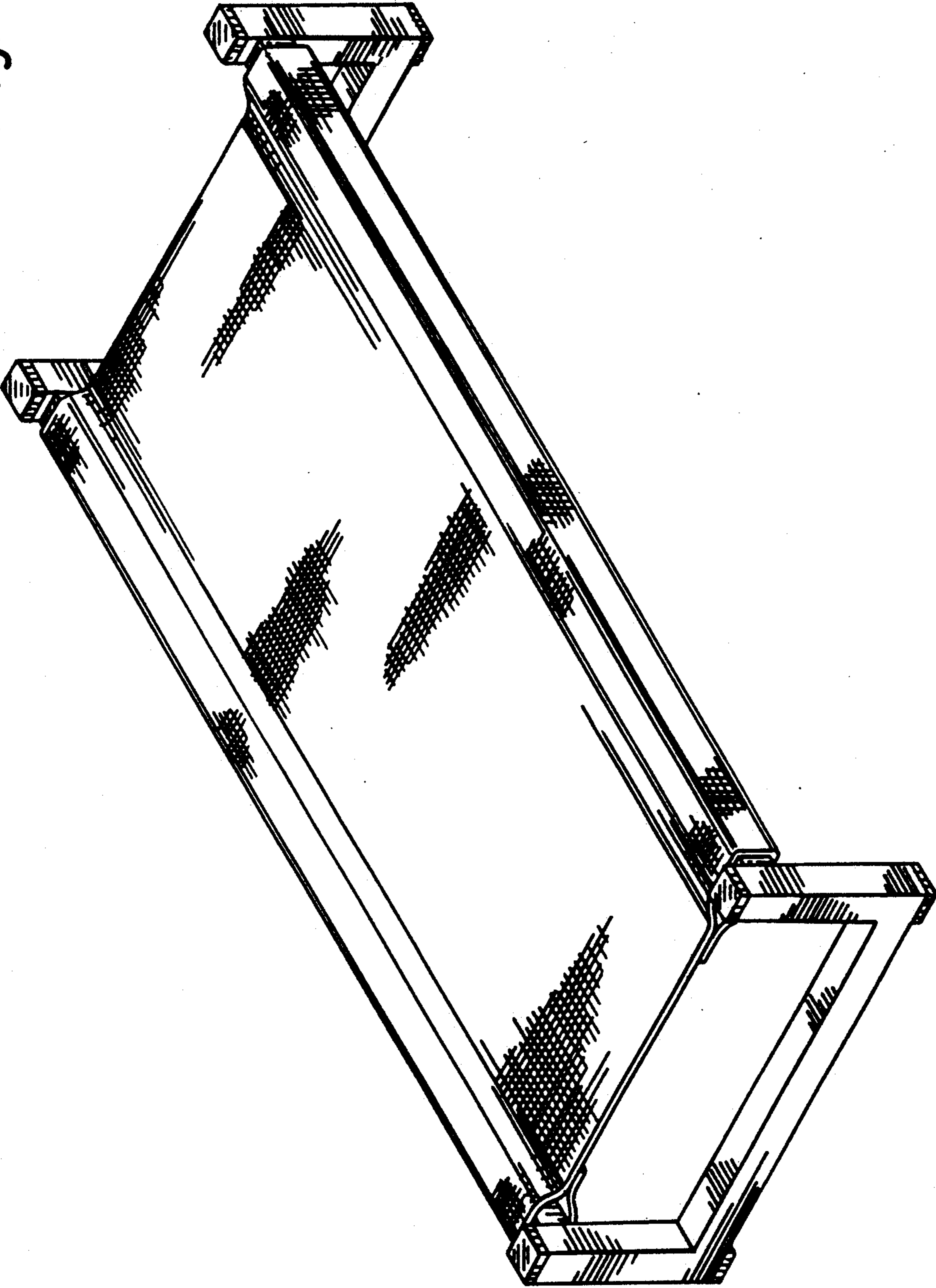


Fig. 2

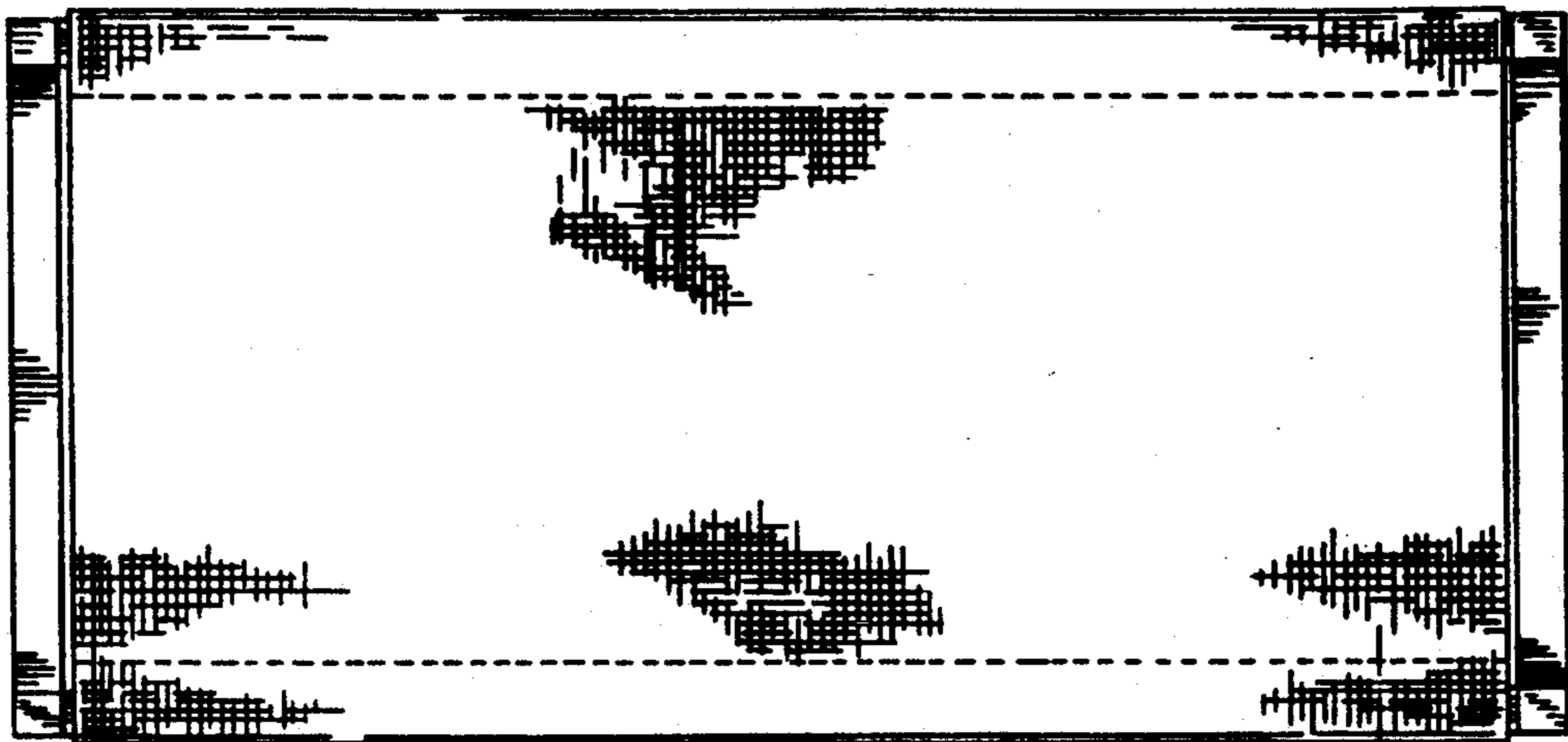


Fig. 3

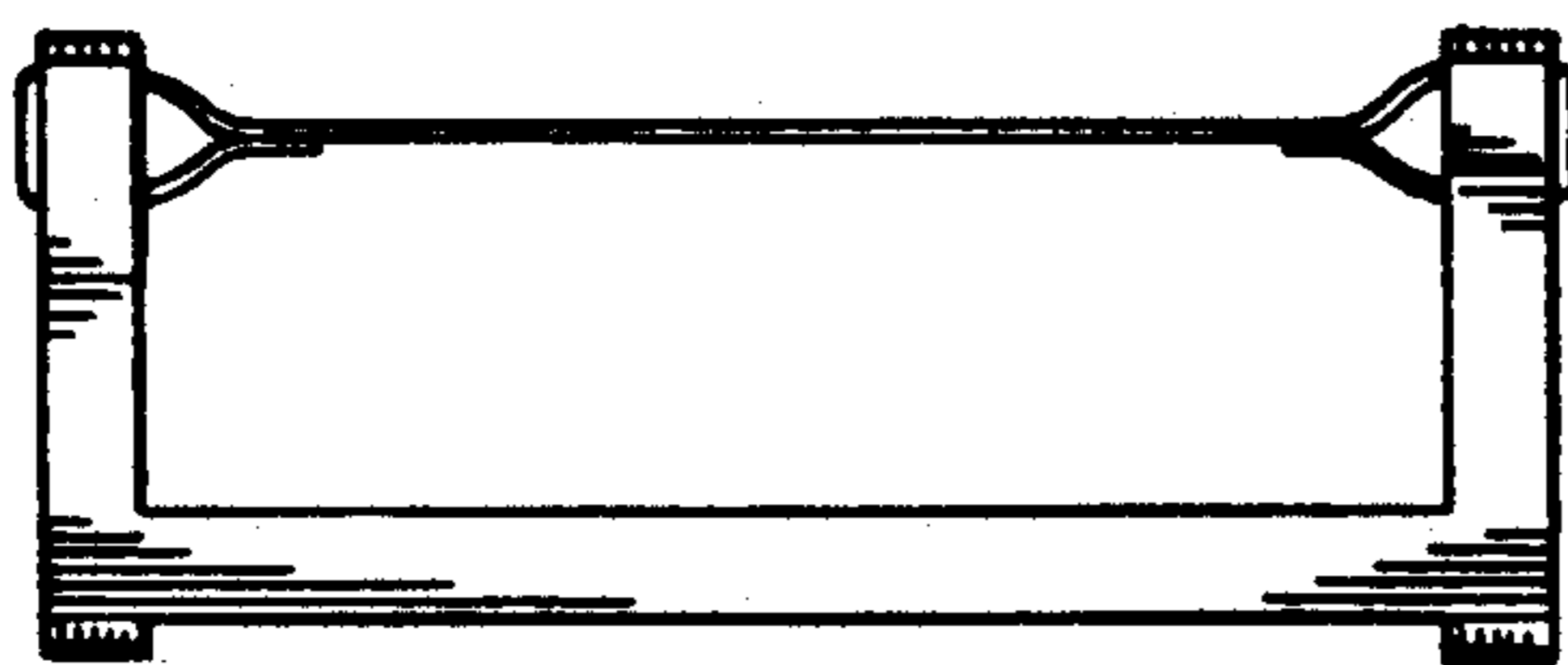
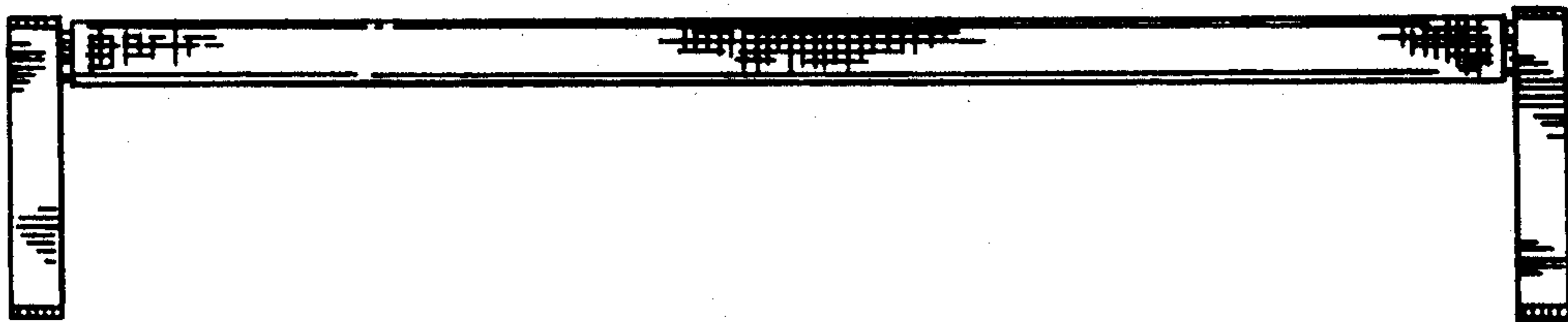


Fig. 4

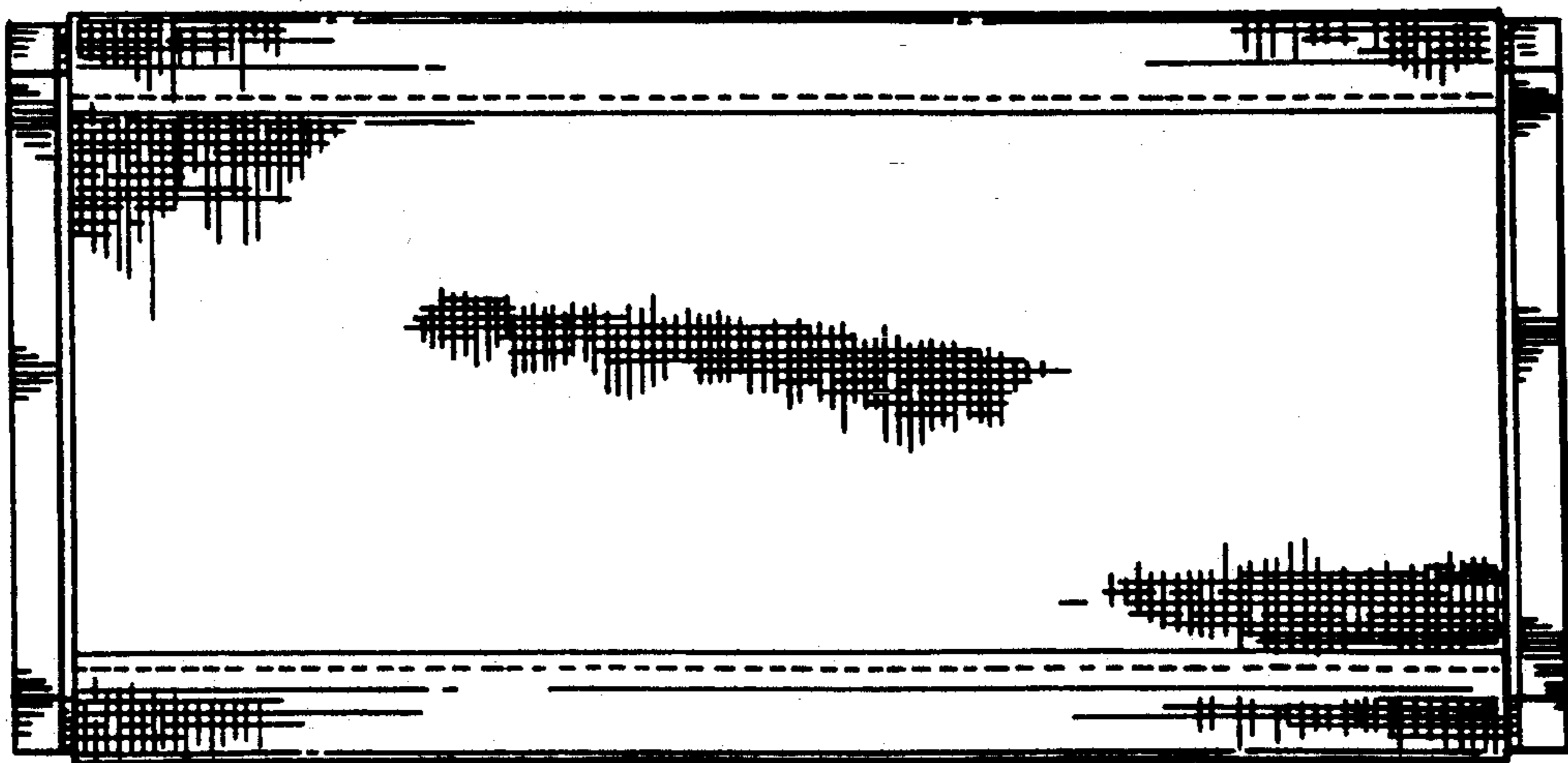


Fig. 5