



US00D338729S

United States Patent [19]

[11] Patent Number: Des. 338,729

Sprecklemeier et al.

[45] Date of Patent: ** Aug. 24, 1993

[54] LINEAR SURGICAL STAPLER

D. 294,518	3/1988	Green et al.	D24/145
3,494,533	2/1970	Green et al.	227/19
4,508,253	4/1985	Green	227/19
5,018,657	5/1991	Pedlick et al.	227/19

[75] Inventors: Lawrence Sprecklemeier; David L. Hunt, both of Cincinnati, Ohio

[73] Assignee: Ethicon, Inc., Somerville, N.J.

Primary Examiner—Stella Reid
Assistant Examiner—Ian Simmons
Attorney, Agent, or Firm—Paul A. Coletti

[**] Term: 14 Years

[21] Appl. No.: 673,709

[57] CLAIM

[22] Filed: Mar. 22, 1991

The ornamental design for a linear surgical stapler, as shown and described.

[52] U.S. Cl. D24/145; D24/143

[58] Field of Search D24/145, 146, 147, 138, D24/143; 227/19, 175, 176, 901, 902, 107, 124; 606/142, 144, 151

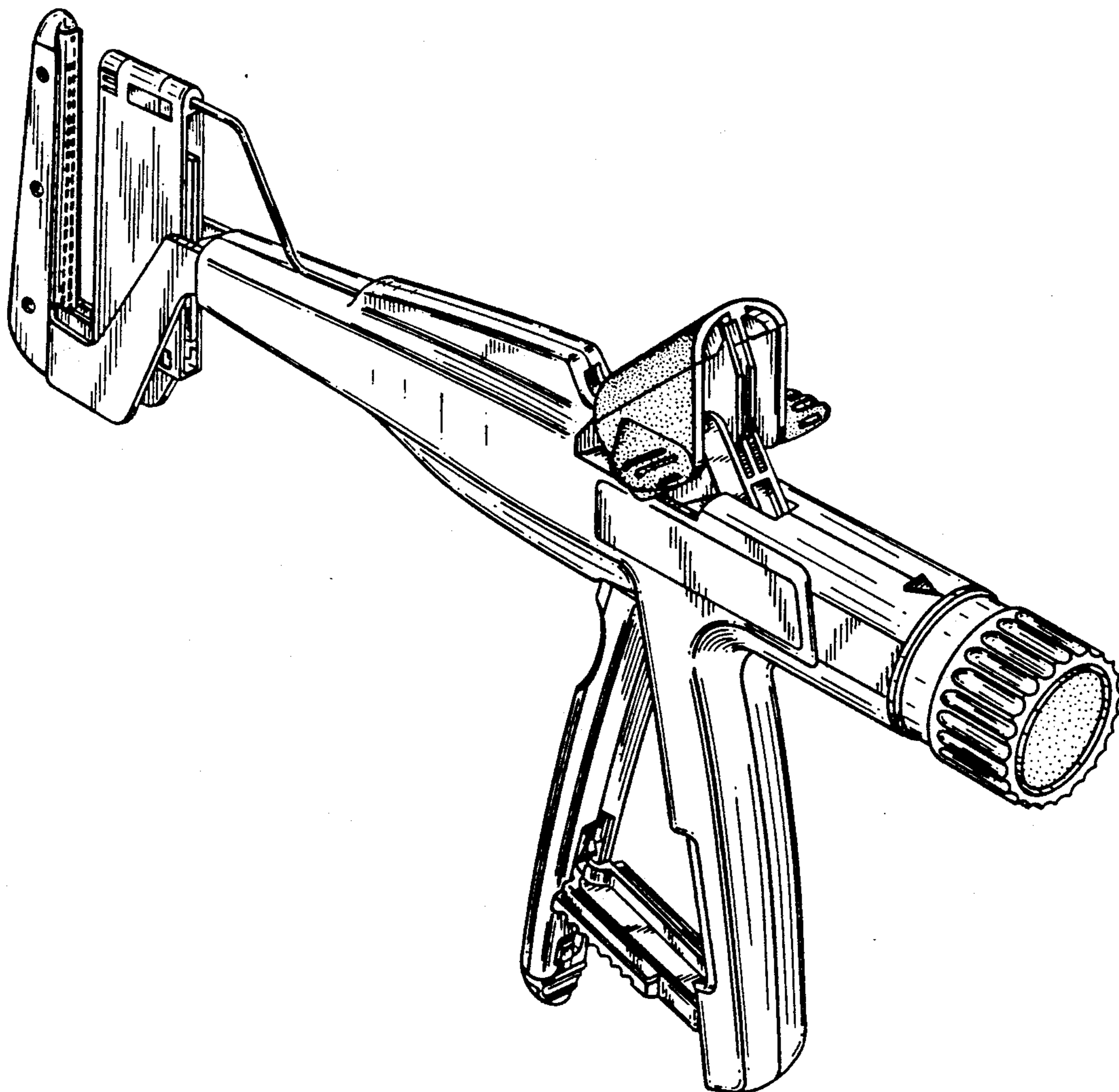
DESCRIPTION

[56] References Cited

U.S. PATENT DOCUMENTS

D. 272,272	1/1984	Green et al.	D24/145
D. 273,513	4/1984	Spreckelmeier	D24/145
D. 283,842	5/1986	Rawson et al.	D24/145
D. 284,217	6/1986	Green	D24/145

FIG. 1 is a perspective view of a linear surgical stapler showing our new design;
FIG. 2 is a left side elevational view of the design, the right side elevational view being identical thereto;
FIG. 3 is a top plan view of the design;
FIG. 4 is a bottom plan view of the design;
FIG. 5 is a front elevational view of the design; and,
FIG. 6 is a rear elevational view of the design.



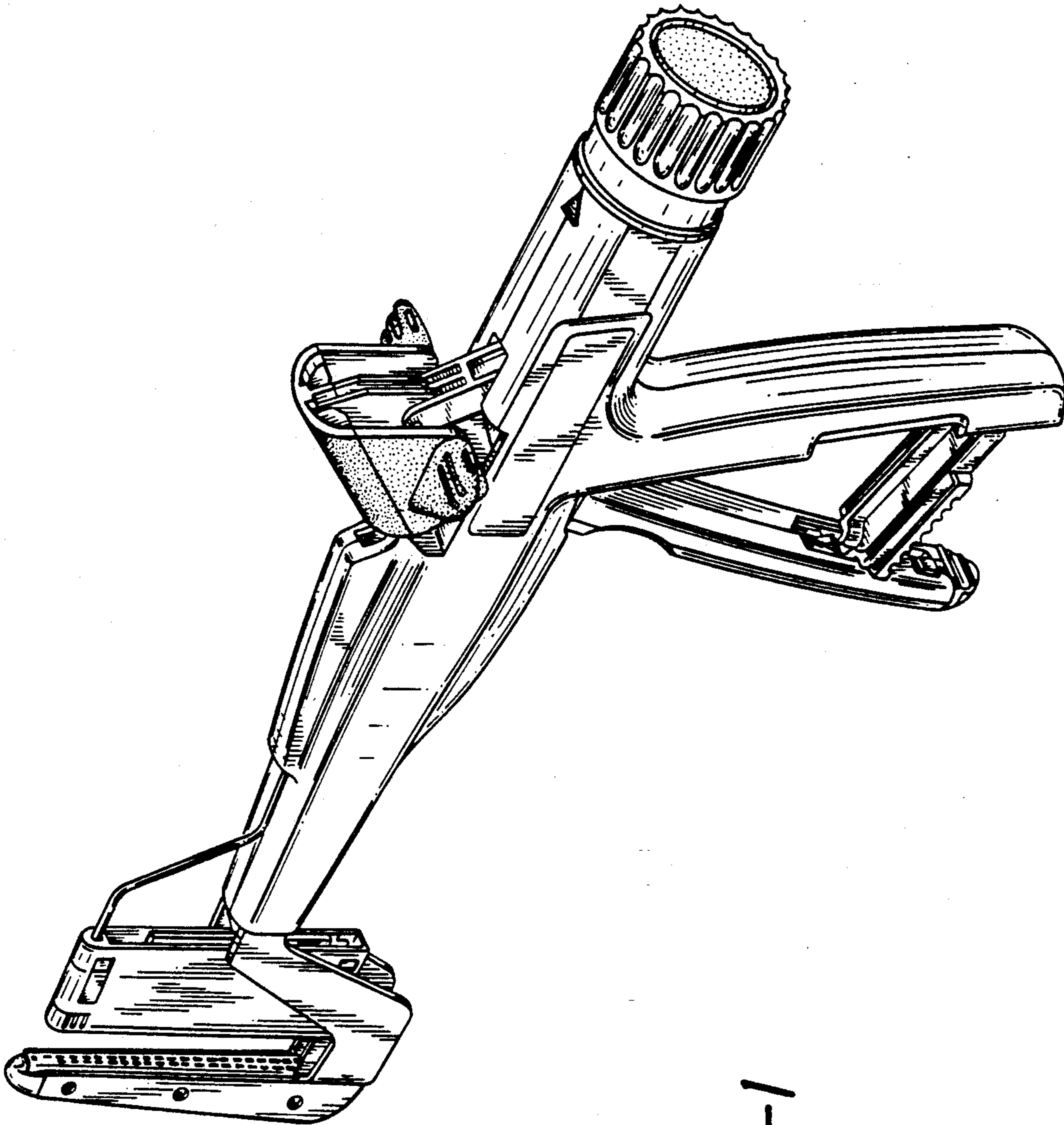


FIG-1

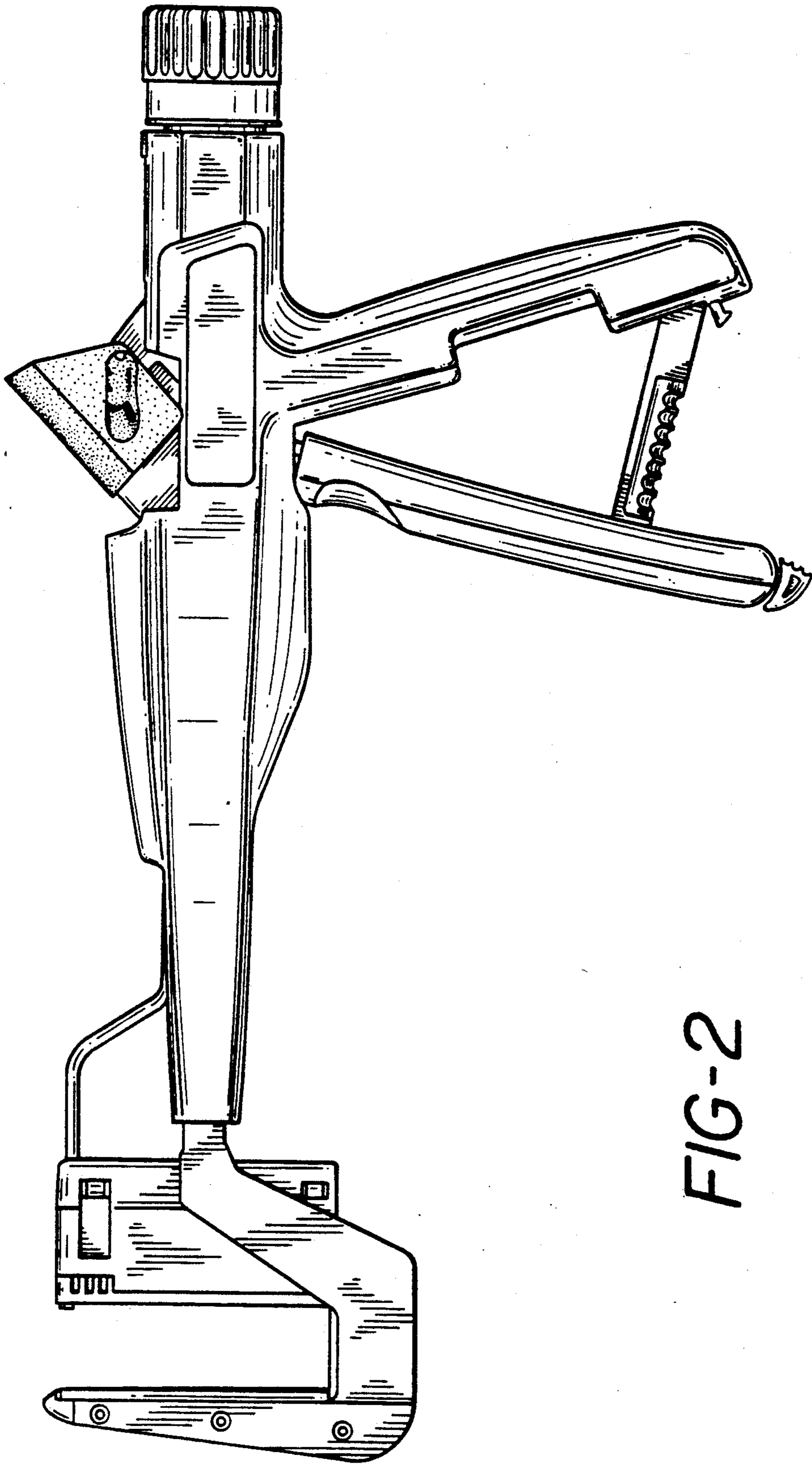


FIG-2

FIG-3

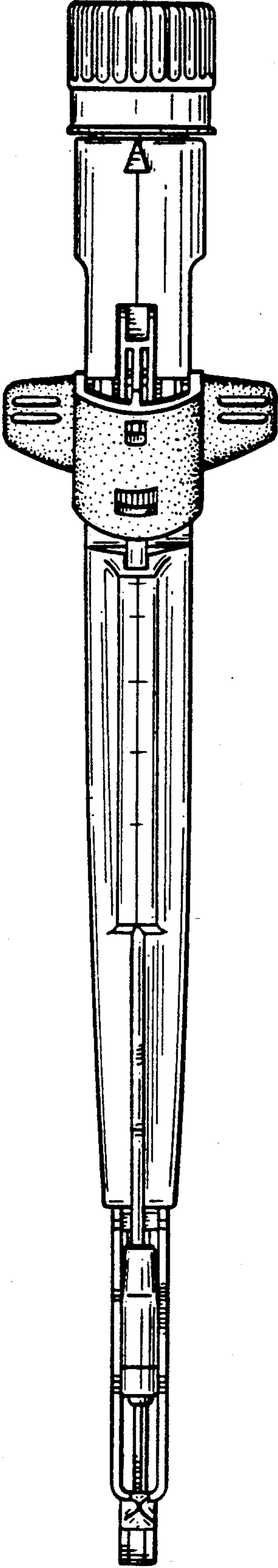


FIG-4

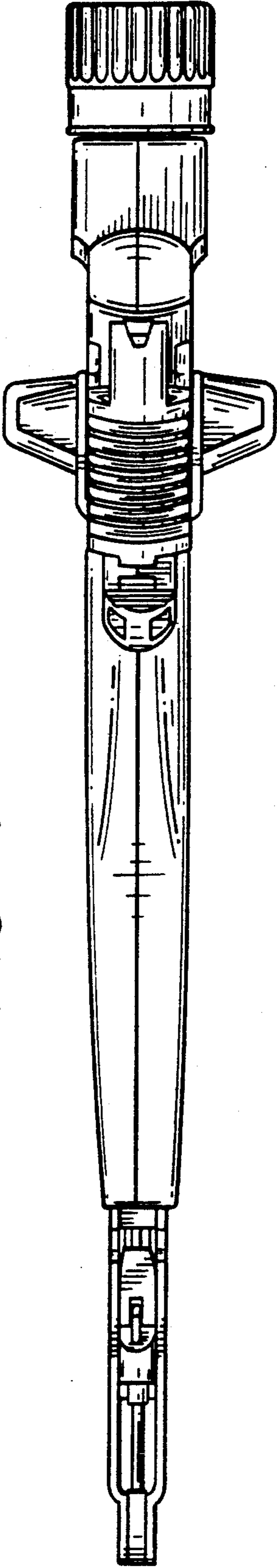


FIG-5

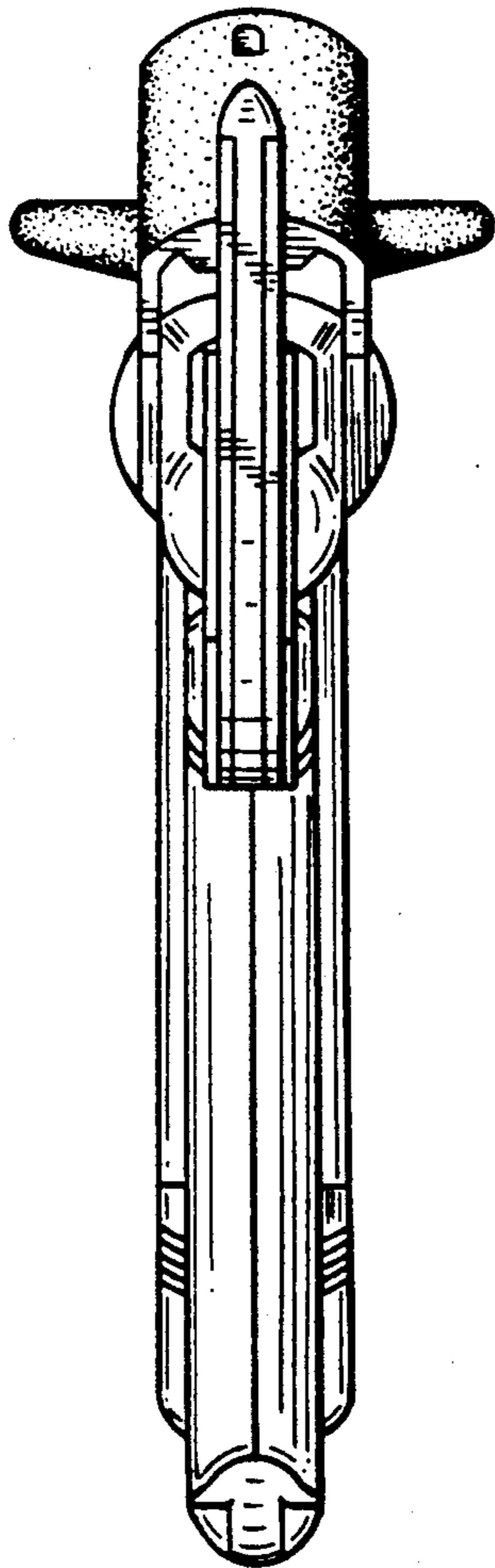


FIG-6

