



US00D338708S

United States Patent [19]

[11] Patent Number: Des. 338,708

Oike

[45] Date of Patent: ** Aug. 24, 1993

[54] STEAM TRAP

[75] Inventor: Tadashi Oike, Kakogawa, Japan

[73] Assignee: TLV Co., Ltd., Japan

[**] Term: 14 Years

[21] Appl. No.: 758,947

[22] Filed: Sep. 11, 1991

[30] Foreign Application Priority Data

Mar. 15, 1991 [JP] Japan 3-7249

Mar. 15, 1991 [JP] Japan 3-7250

[52] U.S. Cl. D23/268

[58] Field of Search D23/233-237,
D23/244-249, 259-269; 137/192, 399

[56] References Cited

U.S. PATENT DOCUMENTS

D. 31,444	8/1899	Gold	D23/268
D. 34,878	7/1901	Brown et al.	D23/268
D. 45,856	6/1914	Crawford	D23/268
D. 97,414	11/1935	Schlafman	D23/268
D. 237,965	12/1975	Schlesch	D23/268
1,633,165	6/1927	Davis	137/192
1,642,023	9/1927	Haight	137/192
1,660,428	2/1928	Short	137/192
2,117,056	5/1938	Dunn	137/192
2,208,390	7/1940	Richter	137/192
3,489,164	1/1970	Fujiwara	137/192
3,489,348	1/1970	Fujiwara	137/192
4,300,588	11/1981	Fujiwara et al.	137/185

OTHER PUBLICATIONS

TLV Co., Ltd. TLV® "SST Free Float Steam Trap Series SS1N/V, SS3N/V, SS1A/B/C, SH1C/3V,

SH3N/7N/7.5N" Catalog No. 1571-10-C-1B HMC (TLV® International, Inc.)

TLV Co., Ltd. TLV® "J&JH Free Float Steam Trap Series J3N-J5N114 J7N-J7LN-J7.5N-J8SN-J10 JHF3N-JH7N-JH7.5N-JH8SN-JH10" Catalog No. 1572-1A-G-2B HMC Printed in Japan (TLV® International, Inc.).

Primary Examiner—James R. Largen

Attorney, Agent, or Firm—Morgan & Finnegan

[57] CLAIM

The ornamental design for steam trap, as shown and described.

DESCRIPTION

FIG. 1 is a perspective view taken from the top front and left side of a steam trap showing my new design; FIG. 2 is a front elevational view thereof; FIG. 3 is a rear elevational view thereof; FIG. 4 is a top view thereof; FIG. 5 is a bottom view thereof; FIG. 6 is a left side elevational view thereof; FIG. 7 is a right side elevational view thereof; FIG. 8 is a cross sectional view taken on line 8—8 of FIG. 6; FIG. 9 is a perspective view taken from the top, front and left side of a second embodiment thereof; FIG. 10 is a front elevational view of FIG. 9; FIG. 11 is a rear elevational view of FIG. 9; FIG. 12 is a top plan view of FIG. 9; FIG. 13 is a bottom plan view of FIG. 9; FIG. 14 is a left side elevational view of FIG. 9; FIG. 15 is a right side elevational view of FIG. 9; and, FIG. 16 is a cross sectional view taken on line 16—16 of FIG. 14.

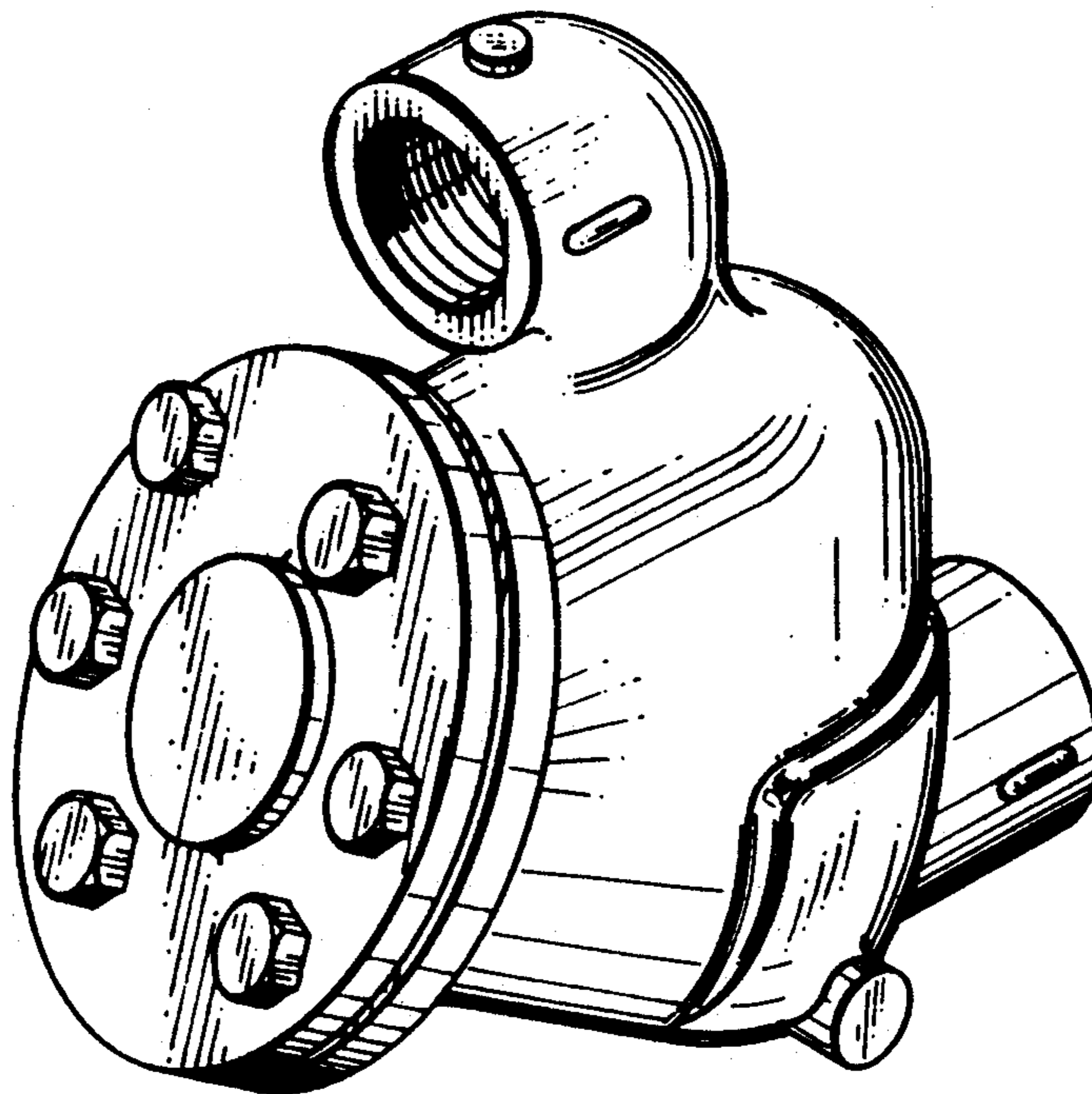


FIG. 1

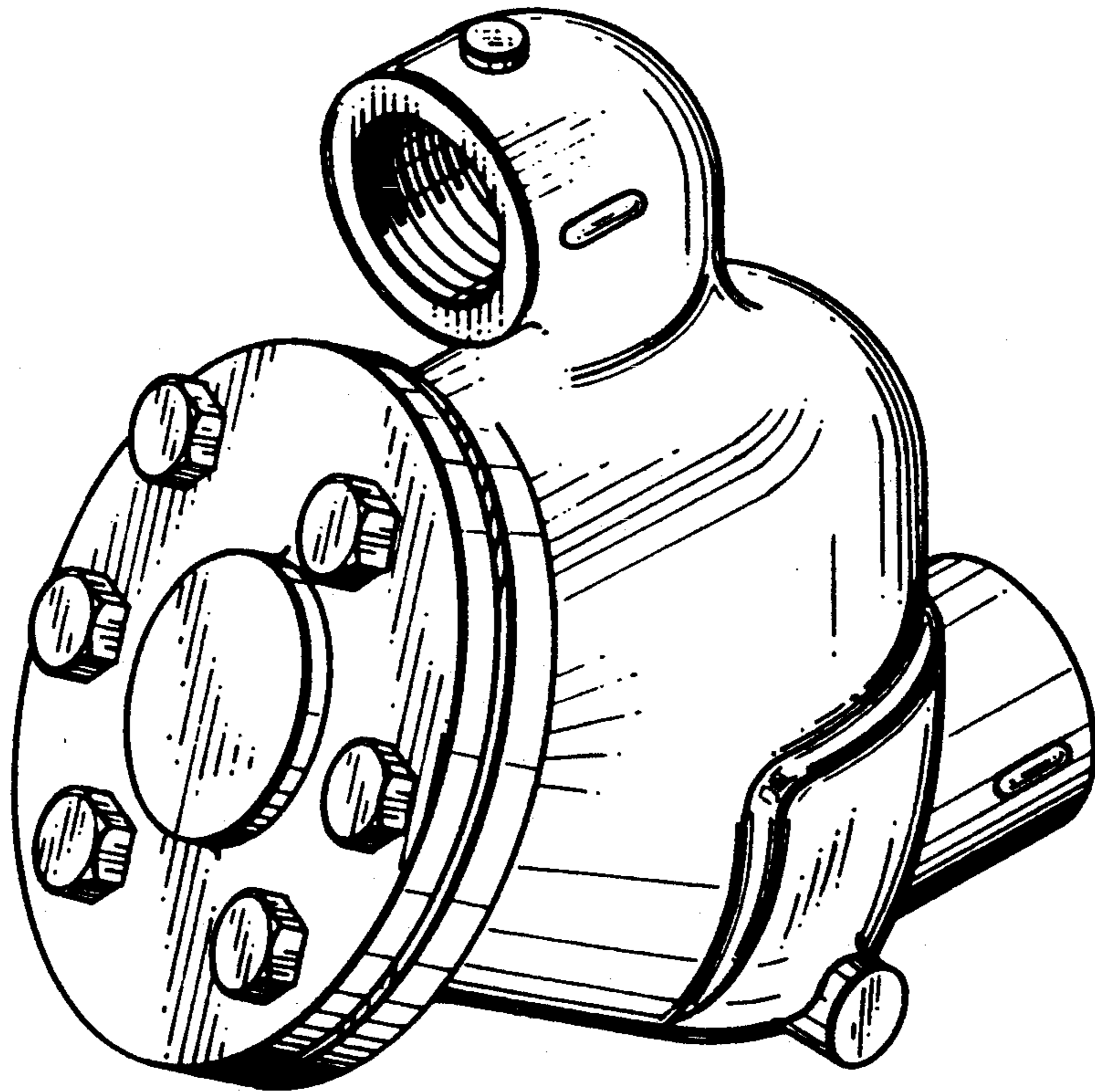


FIG. 2

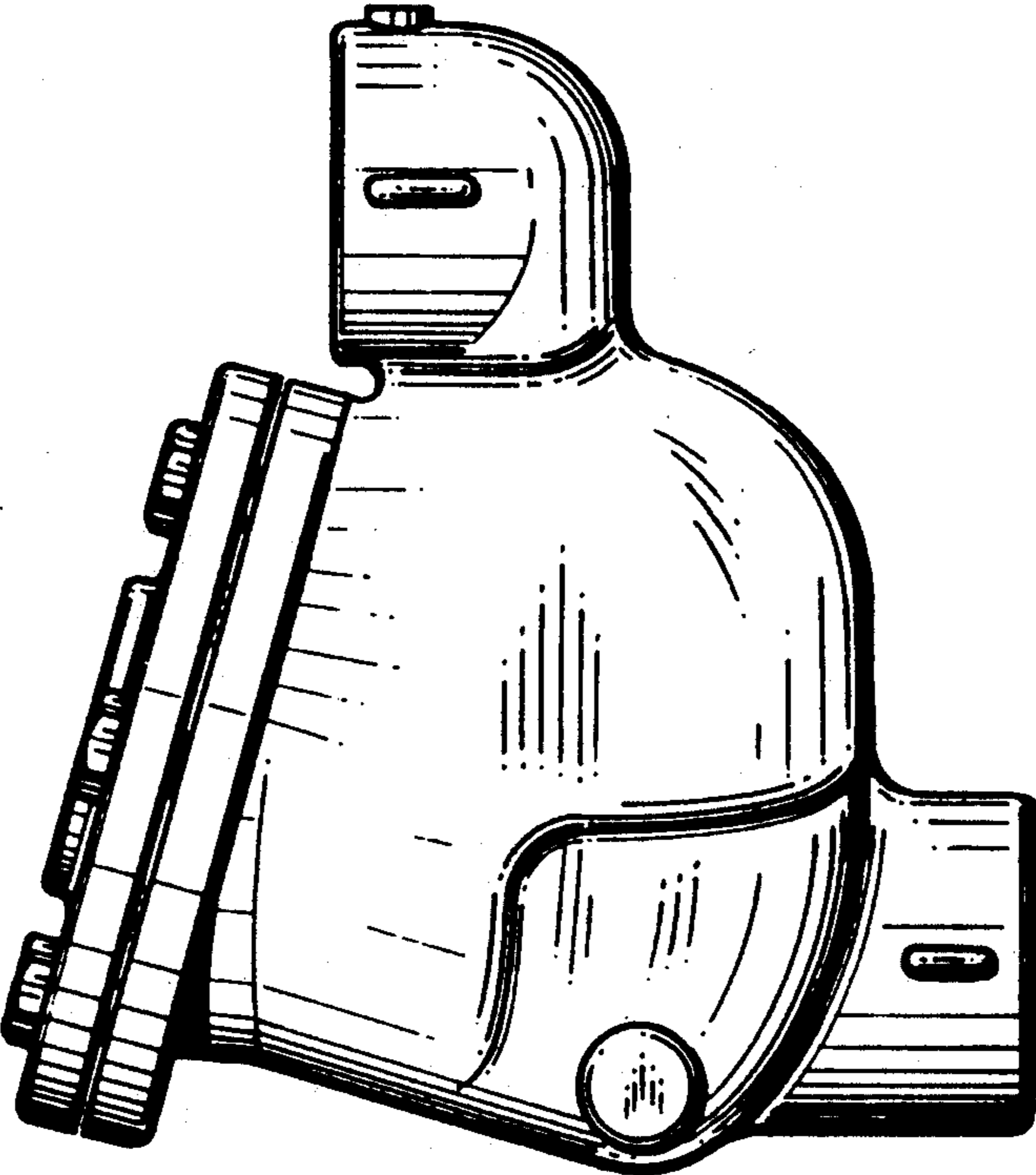


FIG. 3

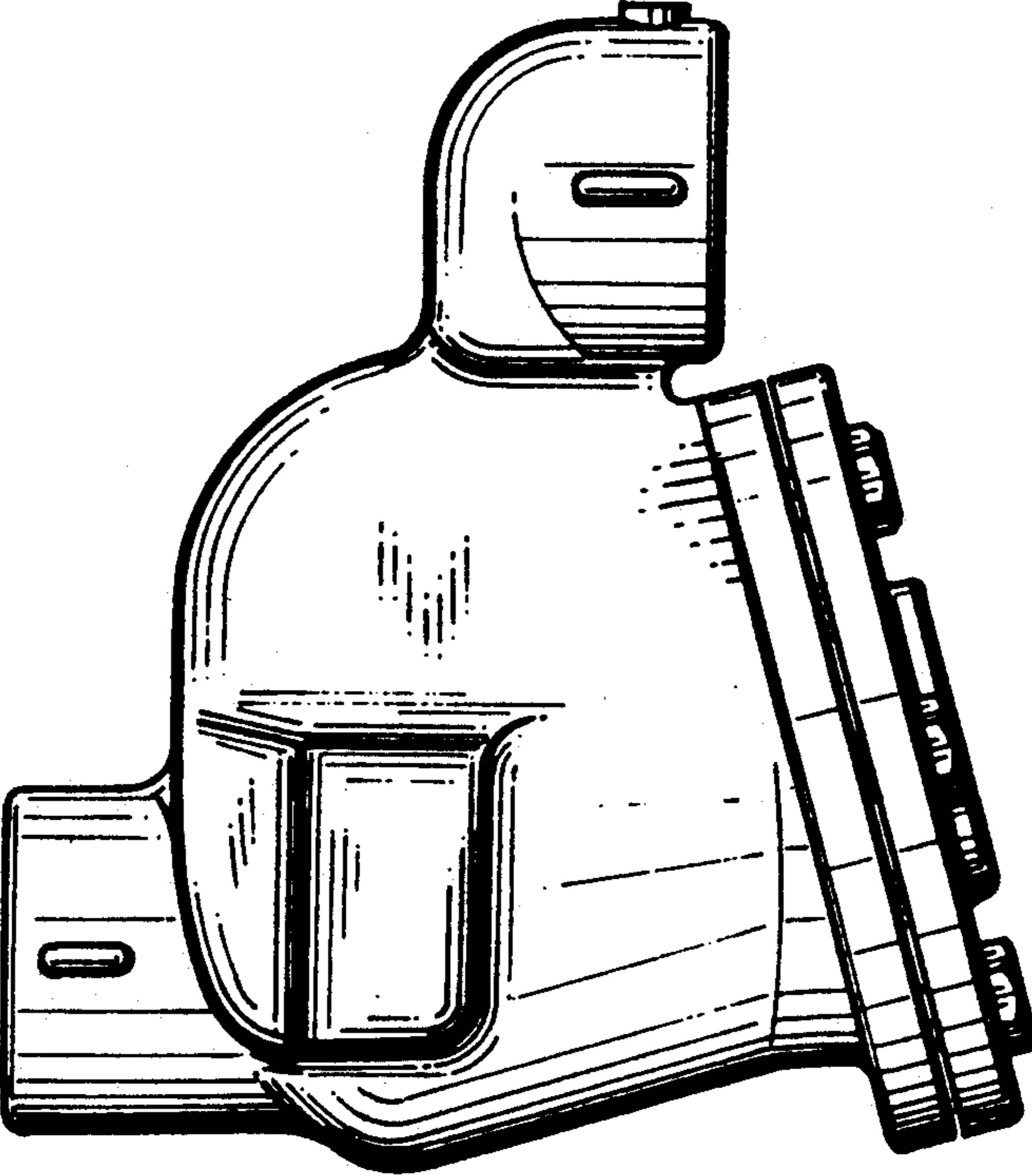


FIG. 4

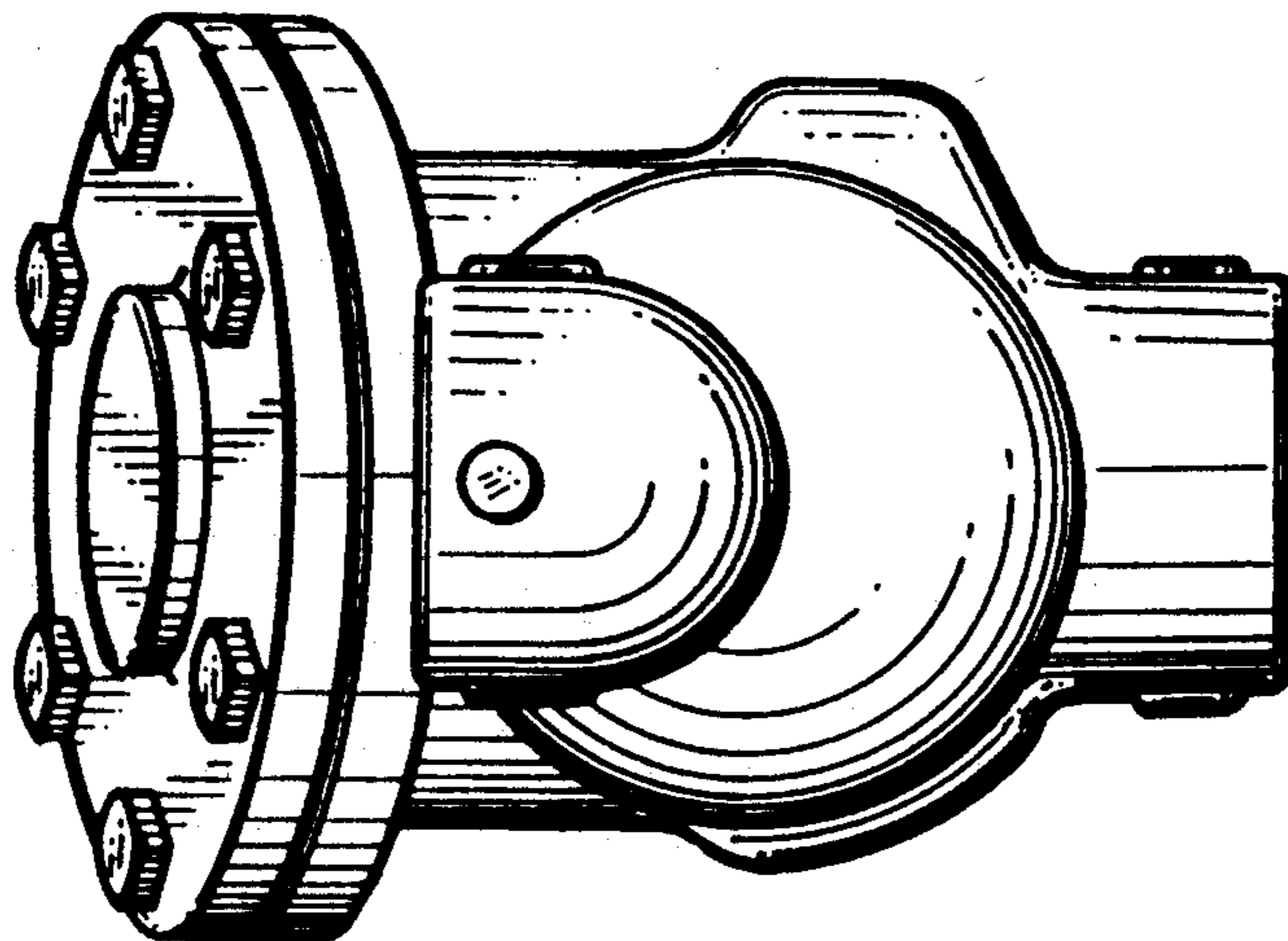


FIG. 5

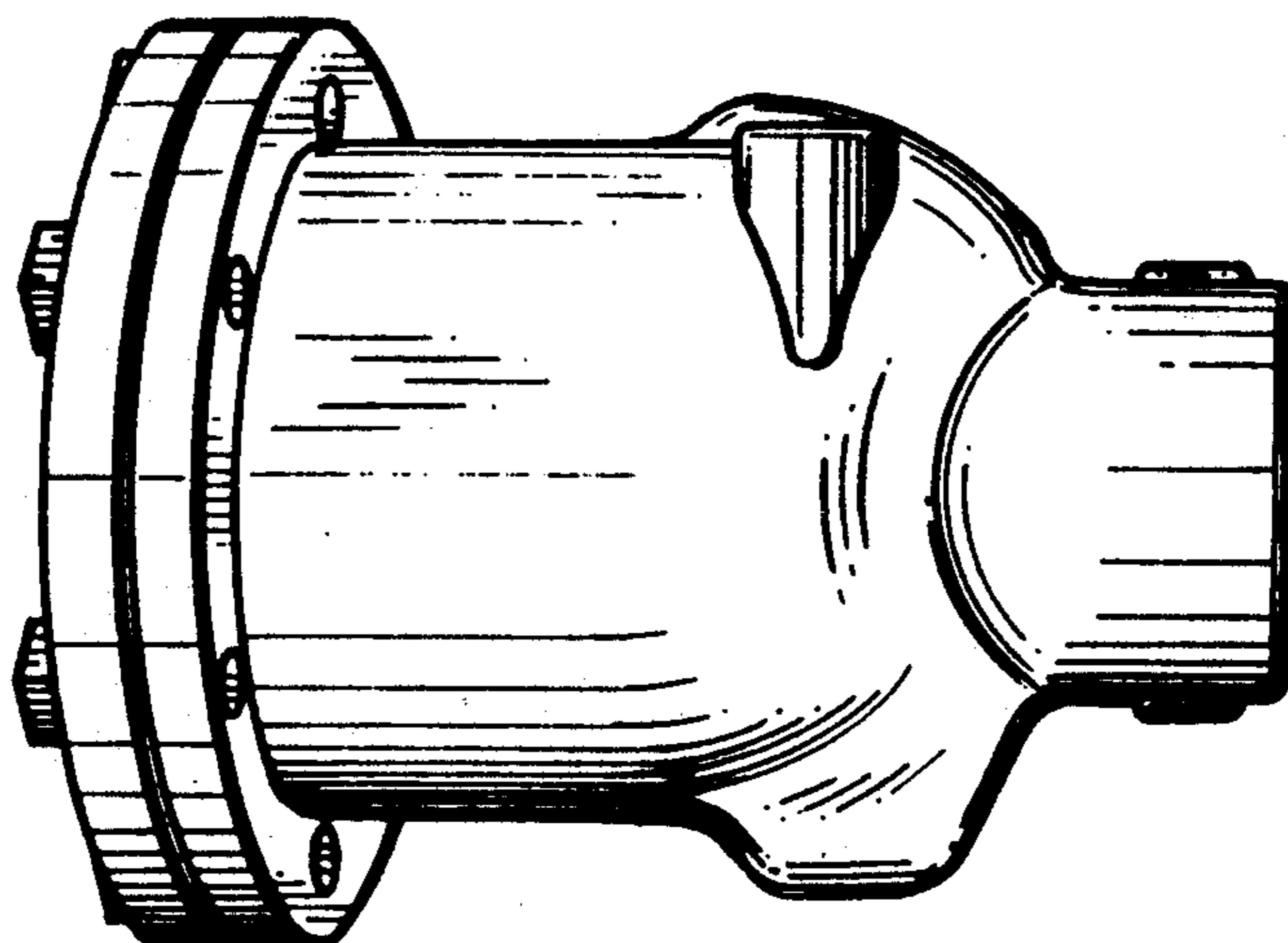


FIG. 6

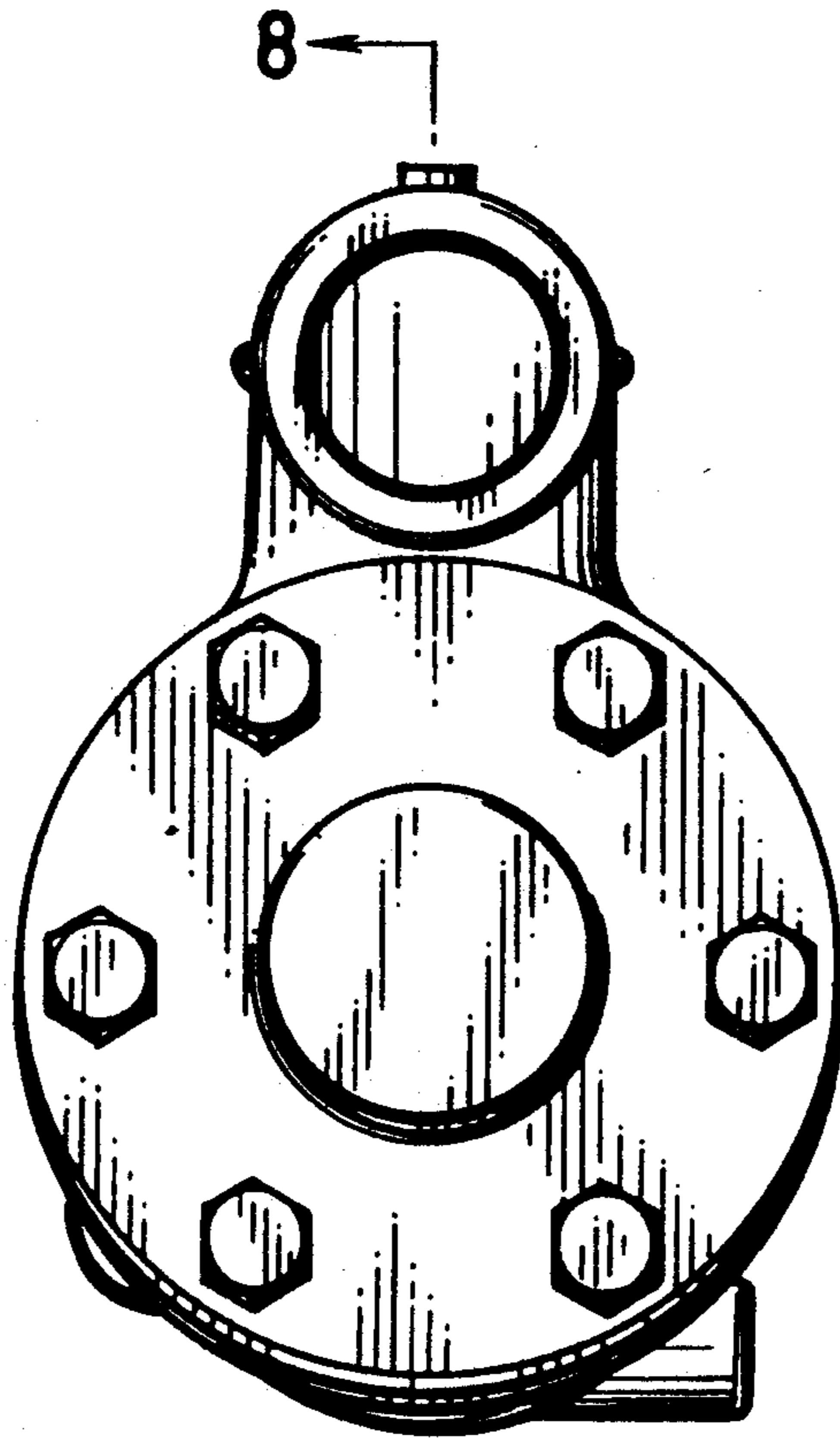


FIG. 7

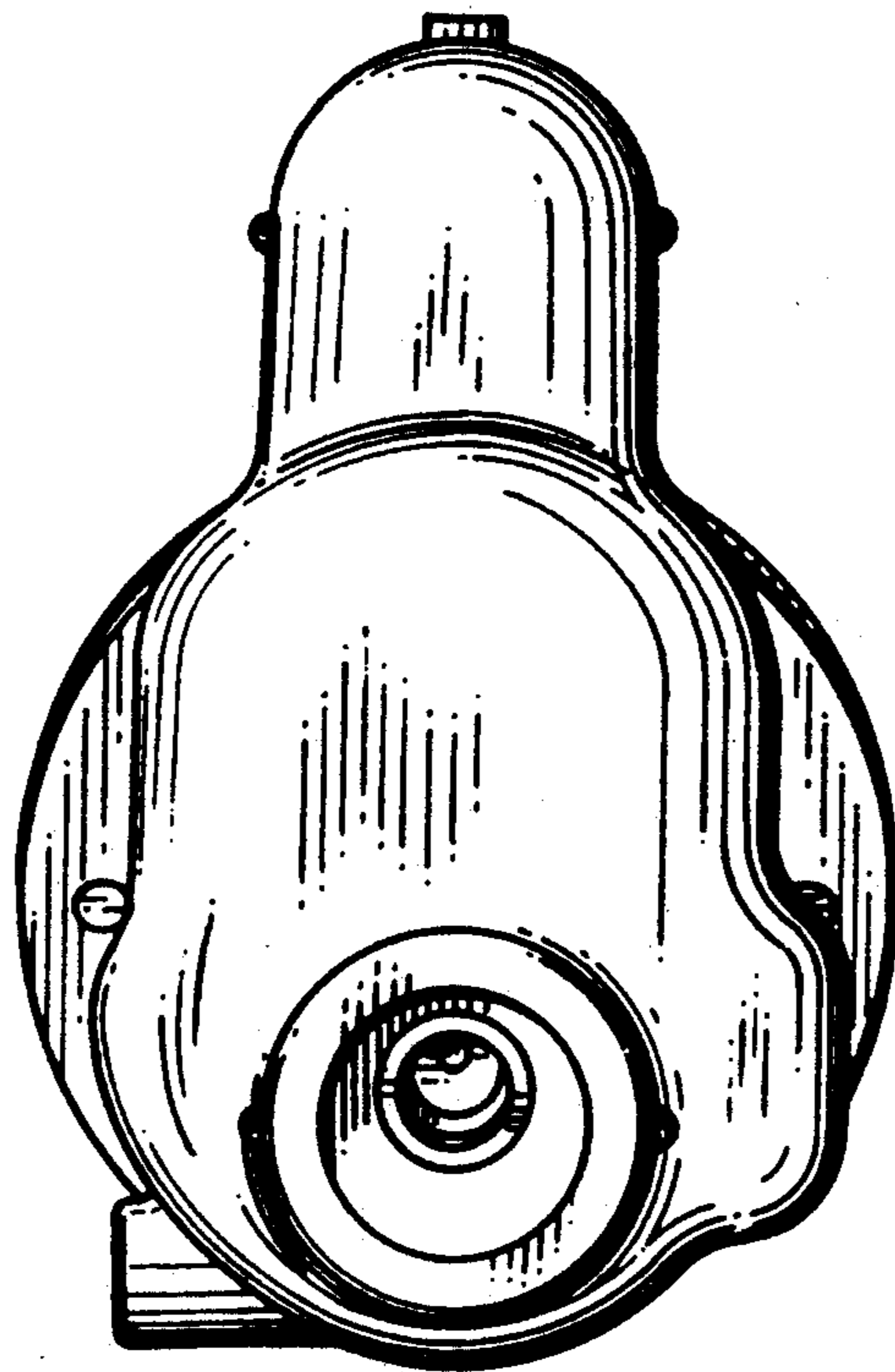


FIG. 8

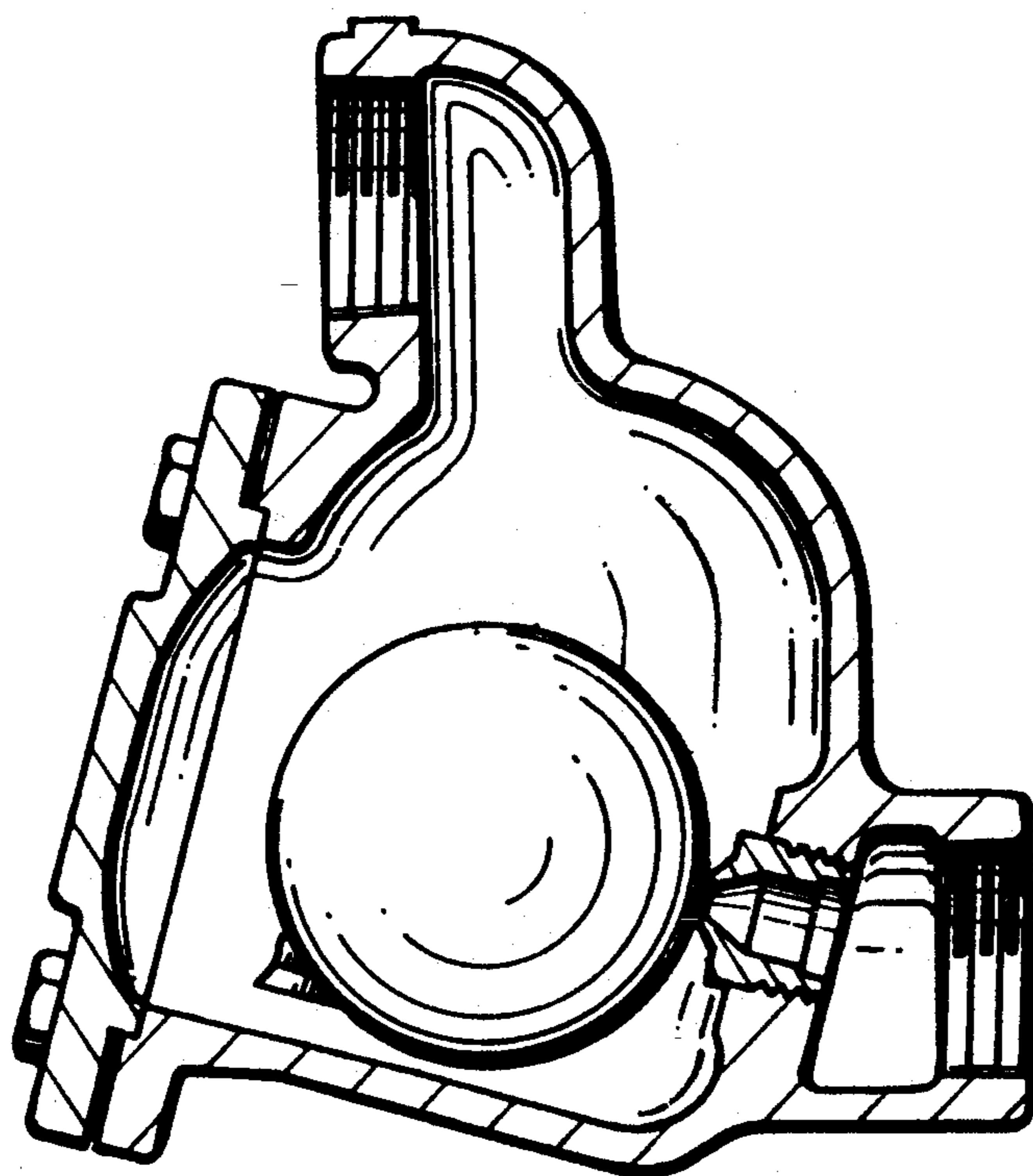


FIG. 9

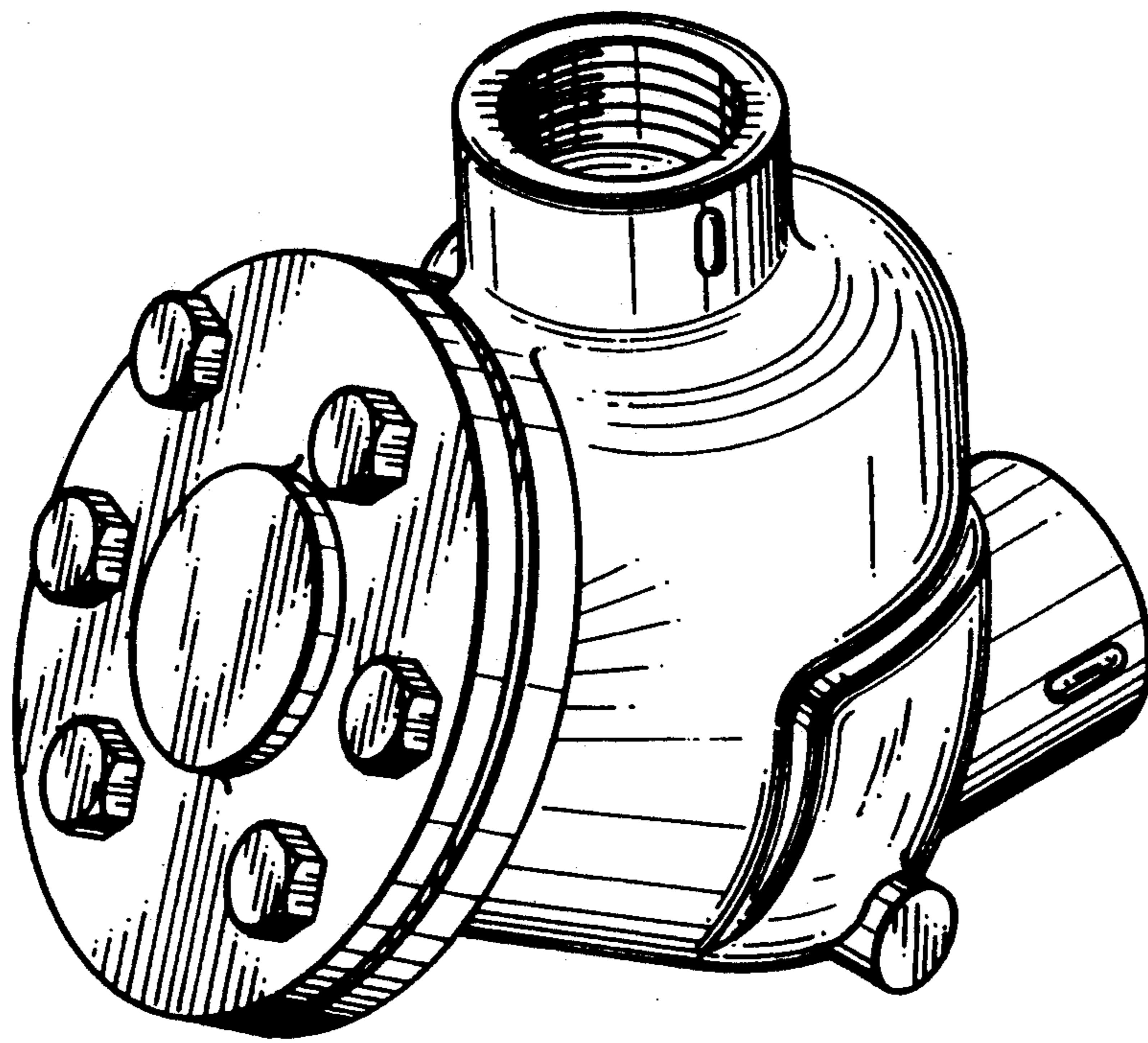


FIG. 10

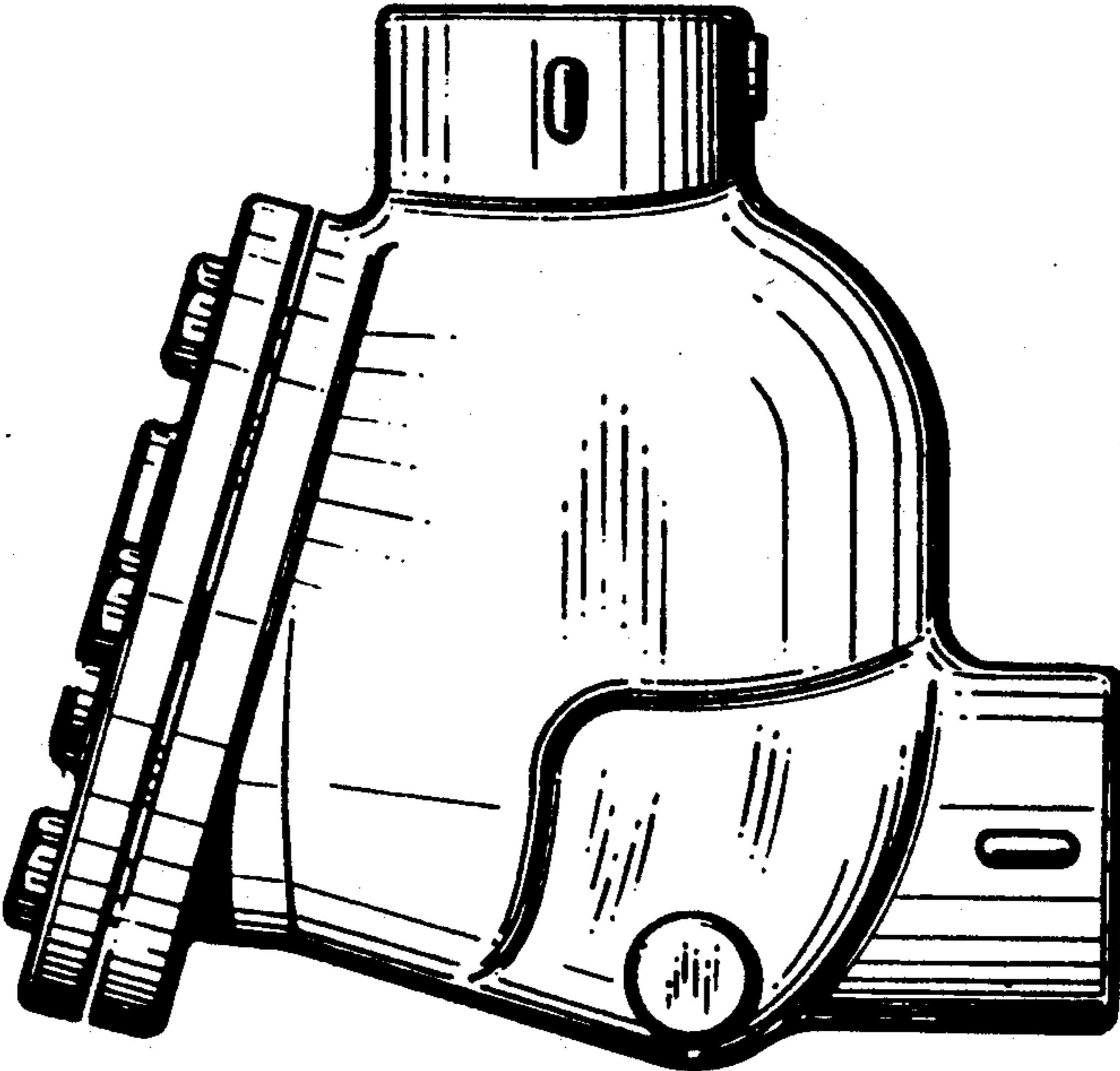


FIG. 11

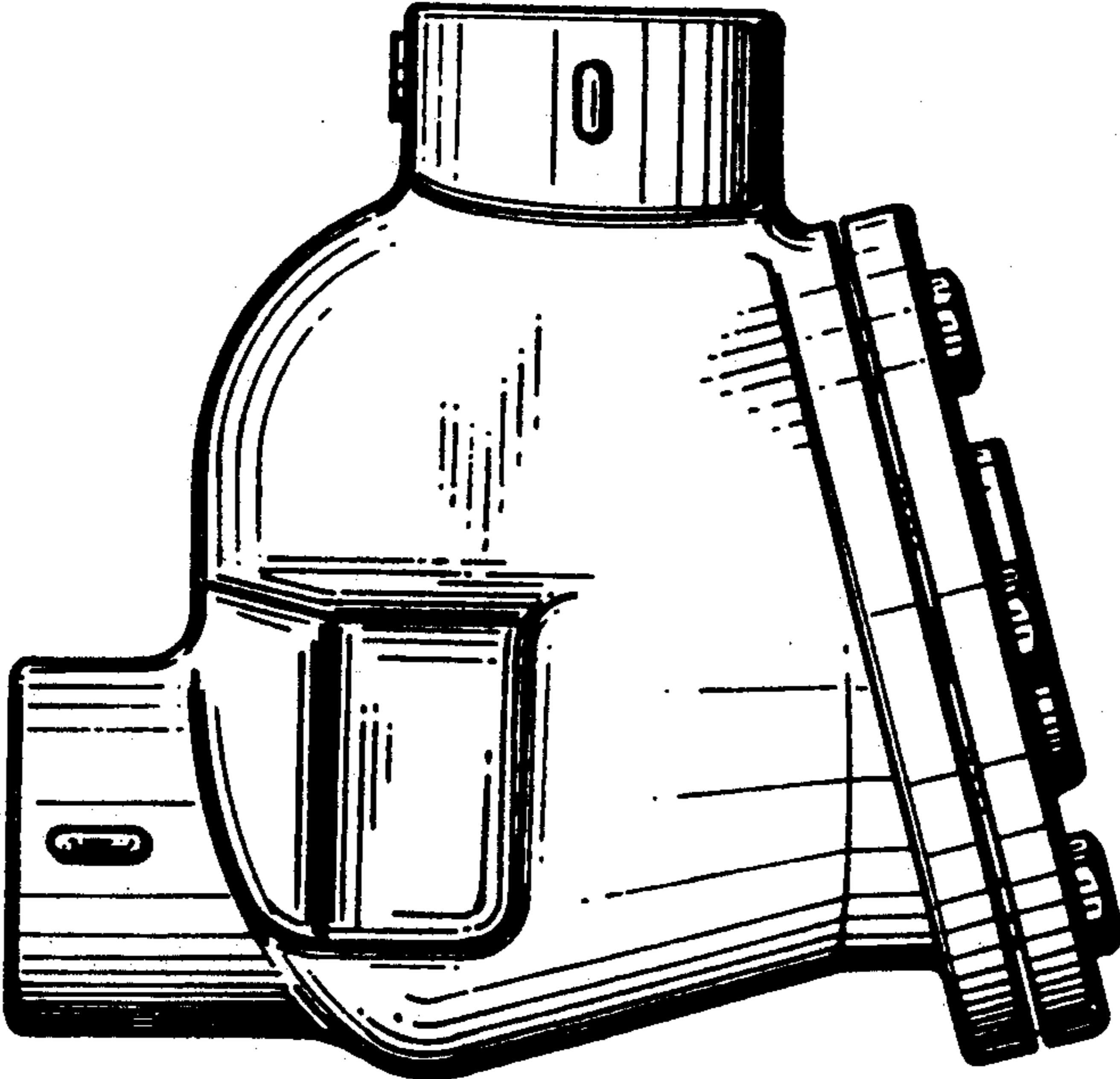


FIG. 12

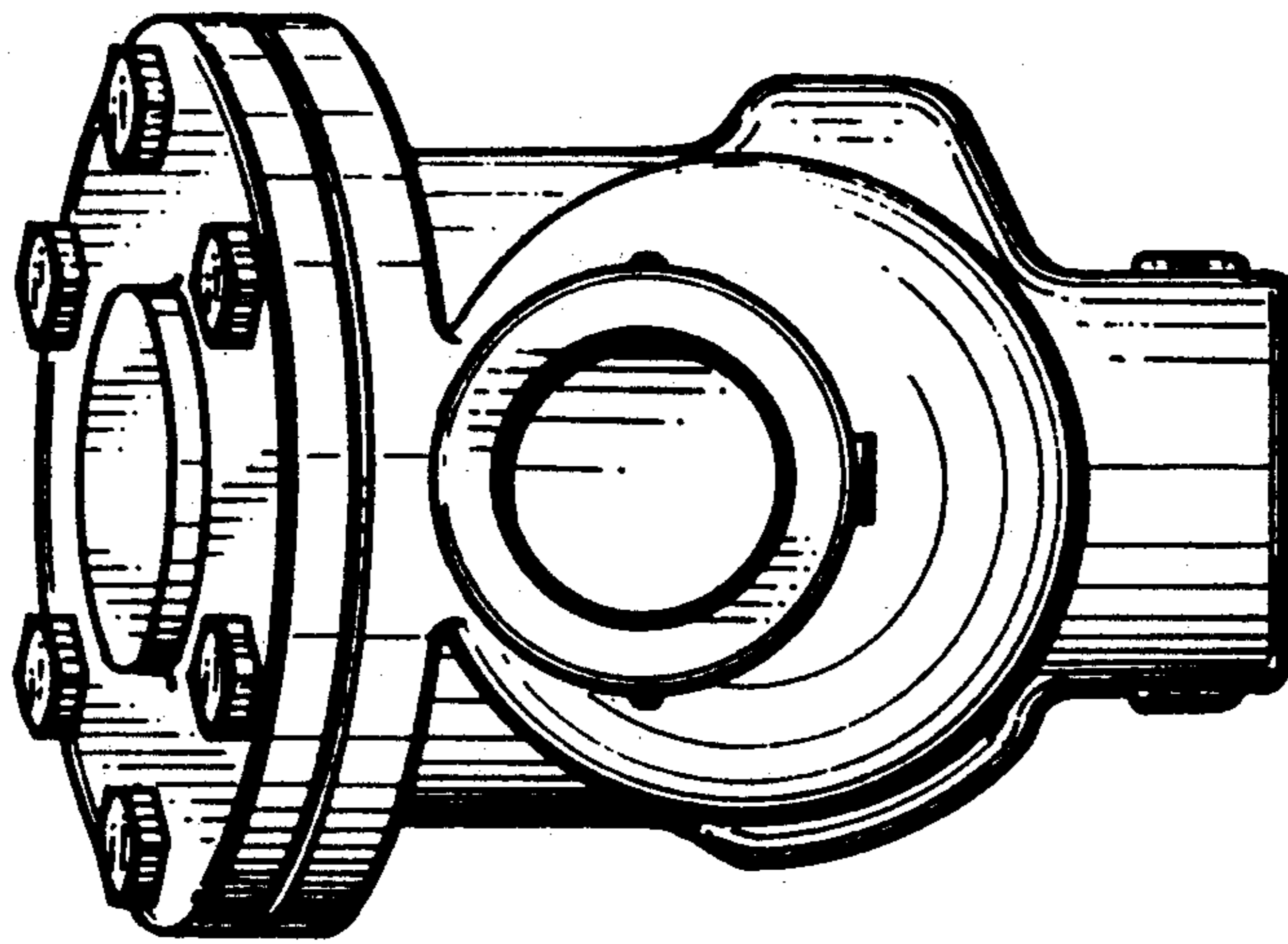


FIG. 13

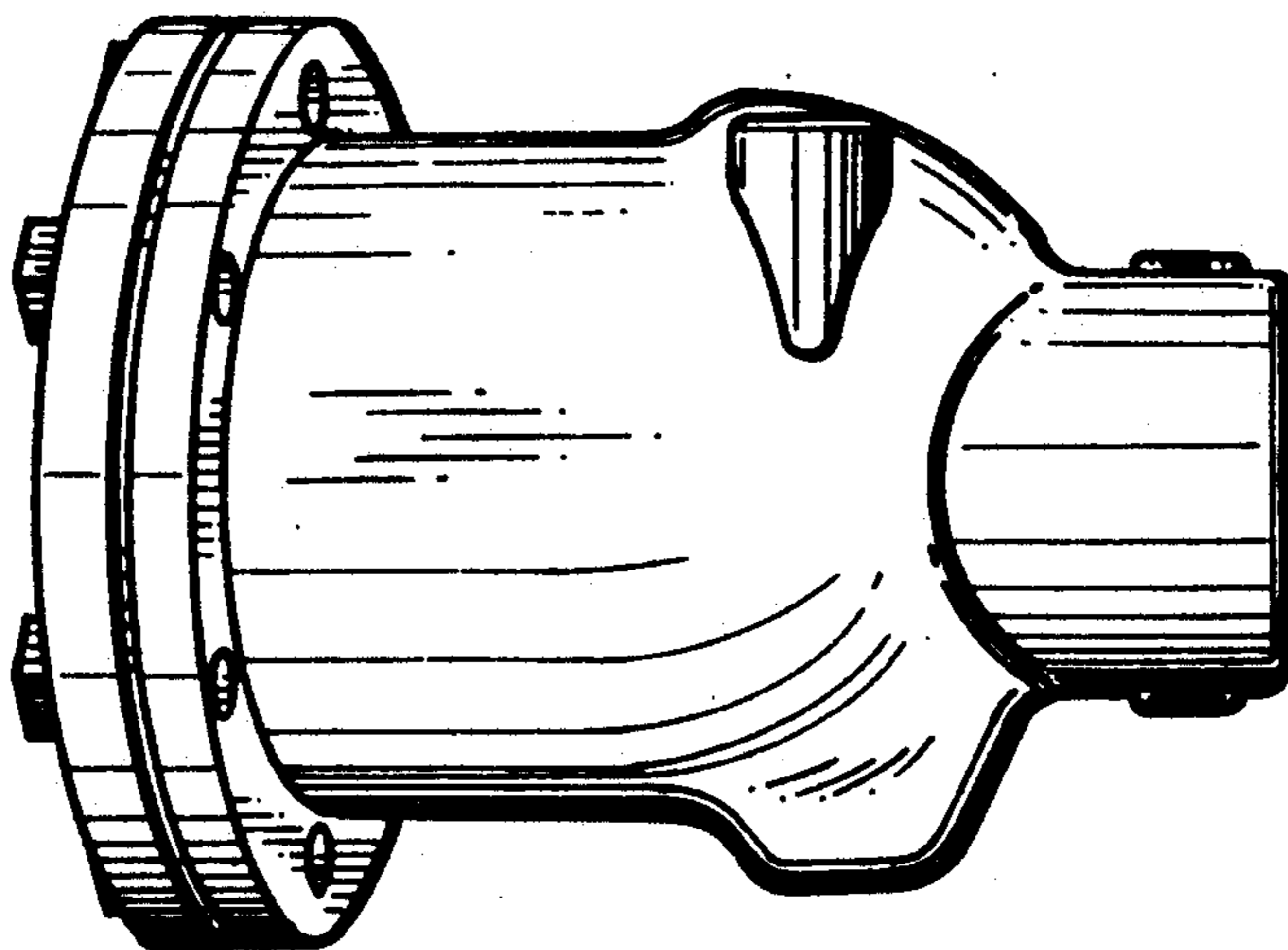


FIG. 14

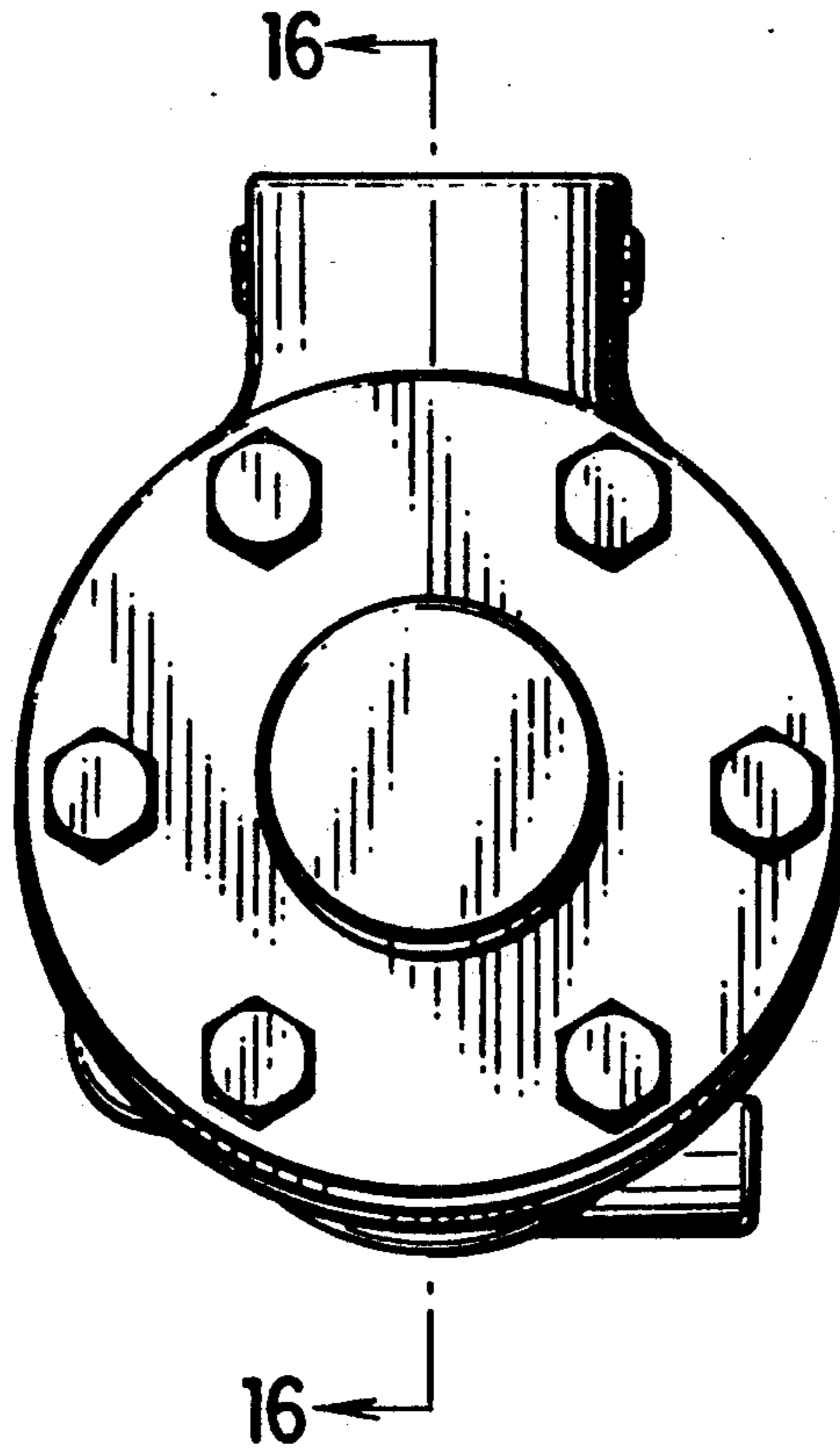


FIG. 15

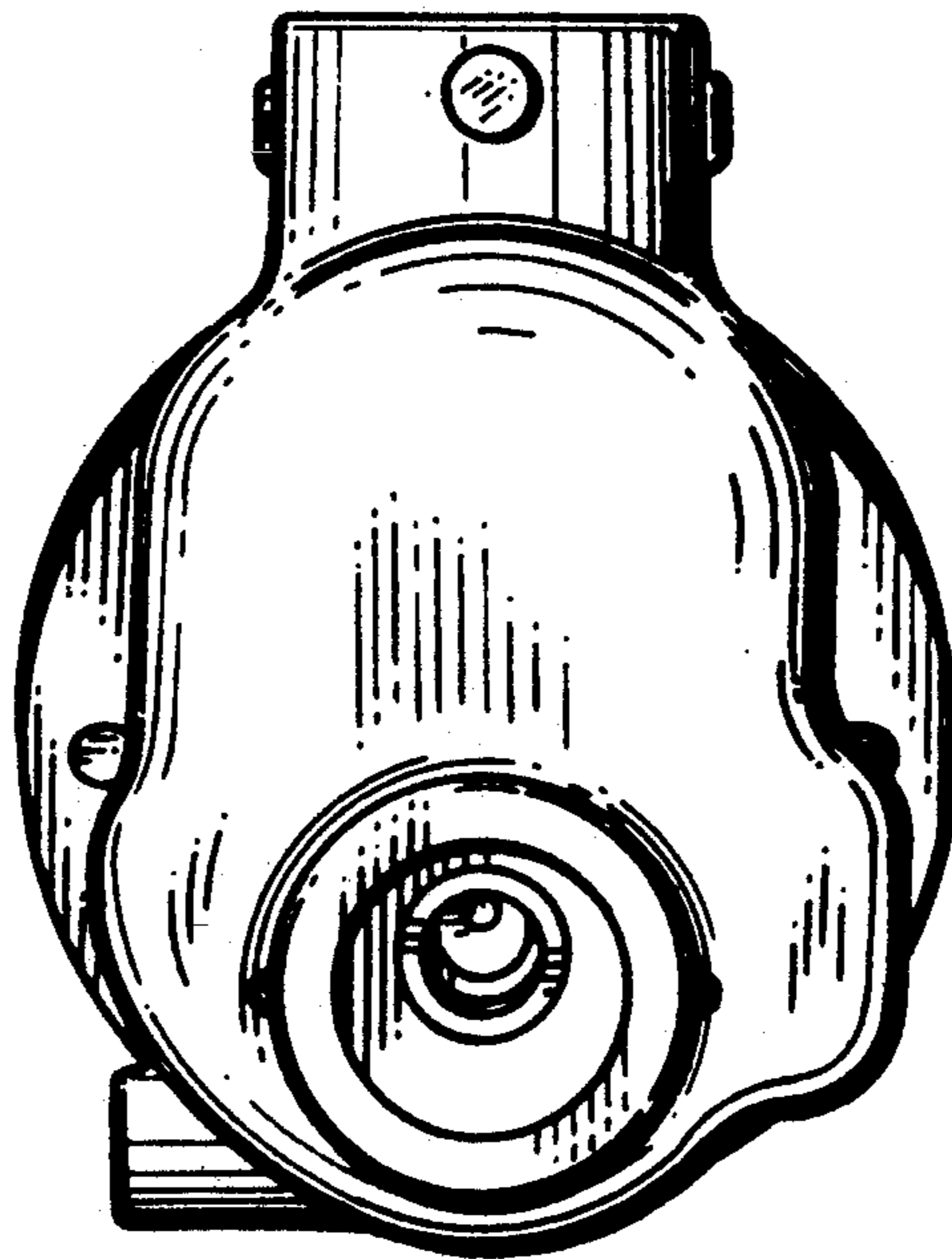


FIG. 16

