



US00D338707S

United States Patent [19]

[11] Patent Number: **Des. 338,707**

Stepp

[45] Date of Patent: **** Aug. 24, 1993**

[54] SINK DRAIN DIVERSION VALVE

[76] Inventor: **Norvell N. Stepp, 747 Lewelling Blvd., #13, San Leandro, CA, 94579**

[**] Term: **14 Years**

[21] Appl. No.: **688,970**

[22] Filed: **Apr. 22, 1991**

[52] U.S. Cl. **D23/245**

[58] Field of Search **D23/233-237, D23/244-249; 4/665; 137/556.3, 556.6, 625, 47, 876**

3,709,256	1/1973	Govz et al.	137/625.47
3,750,704	8/1973	Burke et al.	137/625.47
4,036,249	7/1977	Perry, Sr. et al.	137/556.3 X
4,169,491	10/1979	Bajka	137/625.47
4,281,686	8/1981	Gerlitz	137/876 X
4,593,717	6/1986	Levasseur	137/556.6

Primary Examiner—James R. Largen
Attorney, Agent, or Firm—Linval B. Castle

[57] CLAIM

The ornamental design for a sink drain diversion valve, as shown and described.

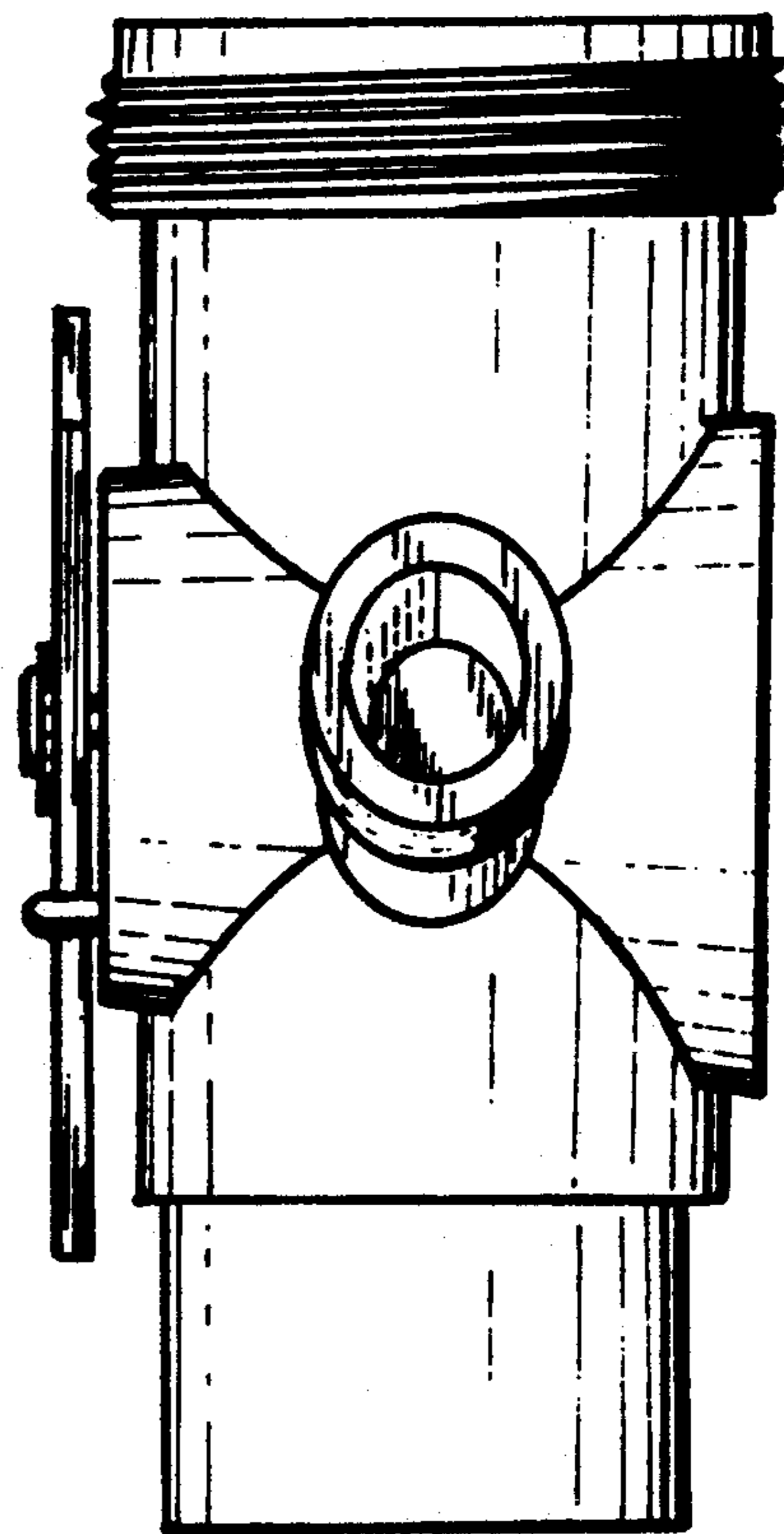
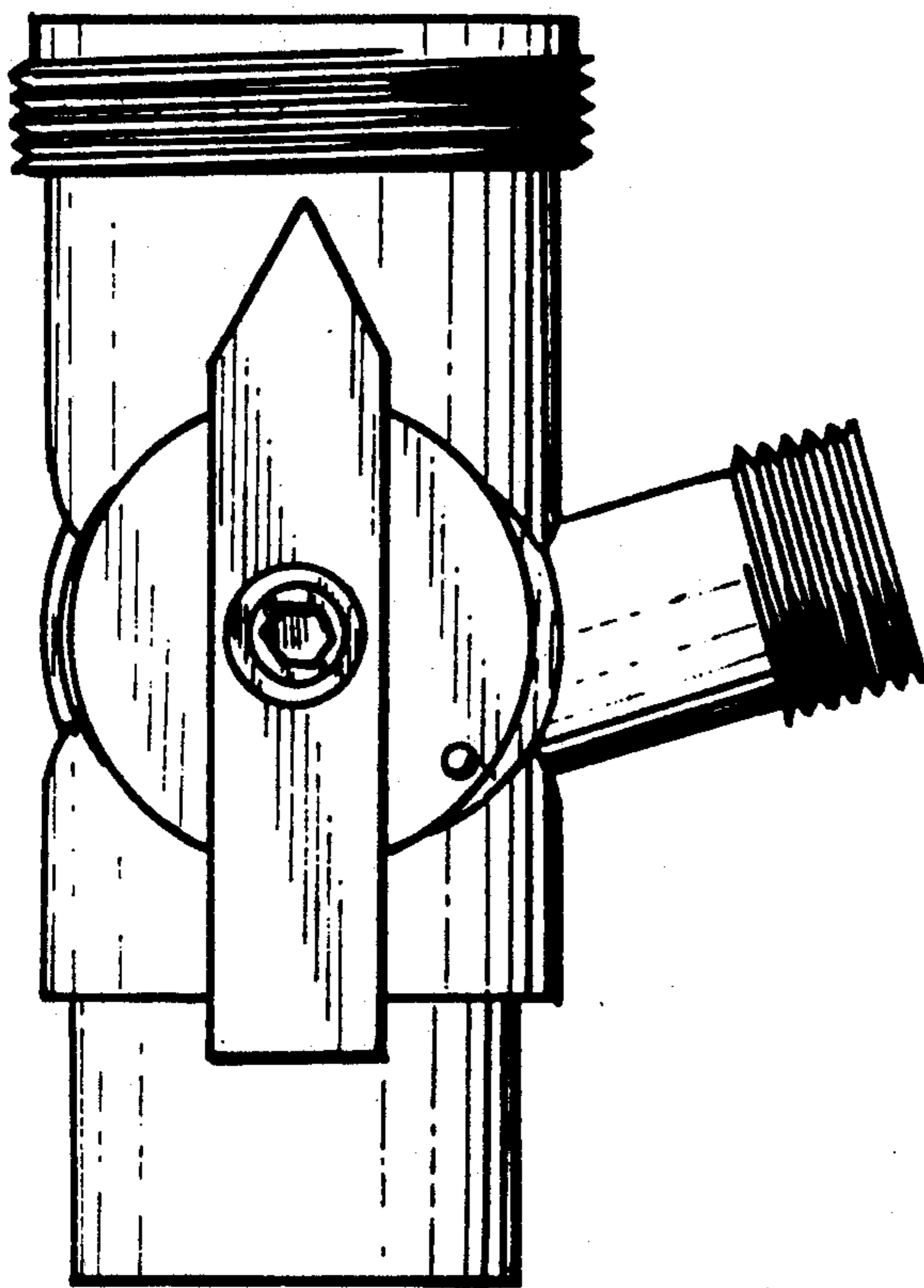
DESCRIPTION

FIG. 1 is a front elevational view of a sink drain diverter valve showing my new design; FIG. 2 is a right side elevational view thereof; FIG. 3 is a rear elevational view thereof; FIG. 4 is a left side elevational view thereof; FIG. 5 is a top plan view thereof; and, FIG. 6 is a bottom plan view thereof.

[56] References Cited

U.S. PATENT DOCUMENTS

D. 191,429	9/1961	Russell	D23/245
D. 198,252	5/1964	Britton	D23/245
D. 297,355	9/1988	Wirth	D23/245
3,316,937	5/1967	Friedman et al.	137/625.47 X



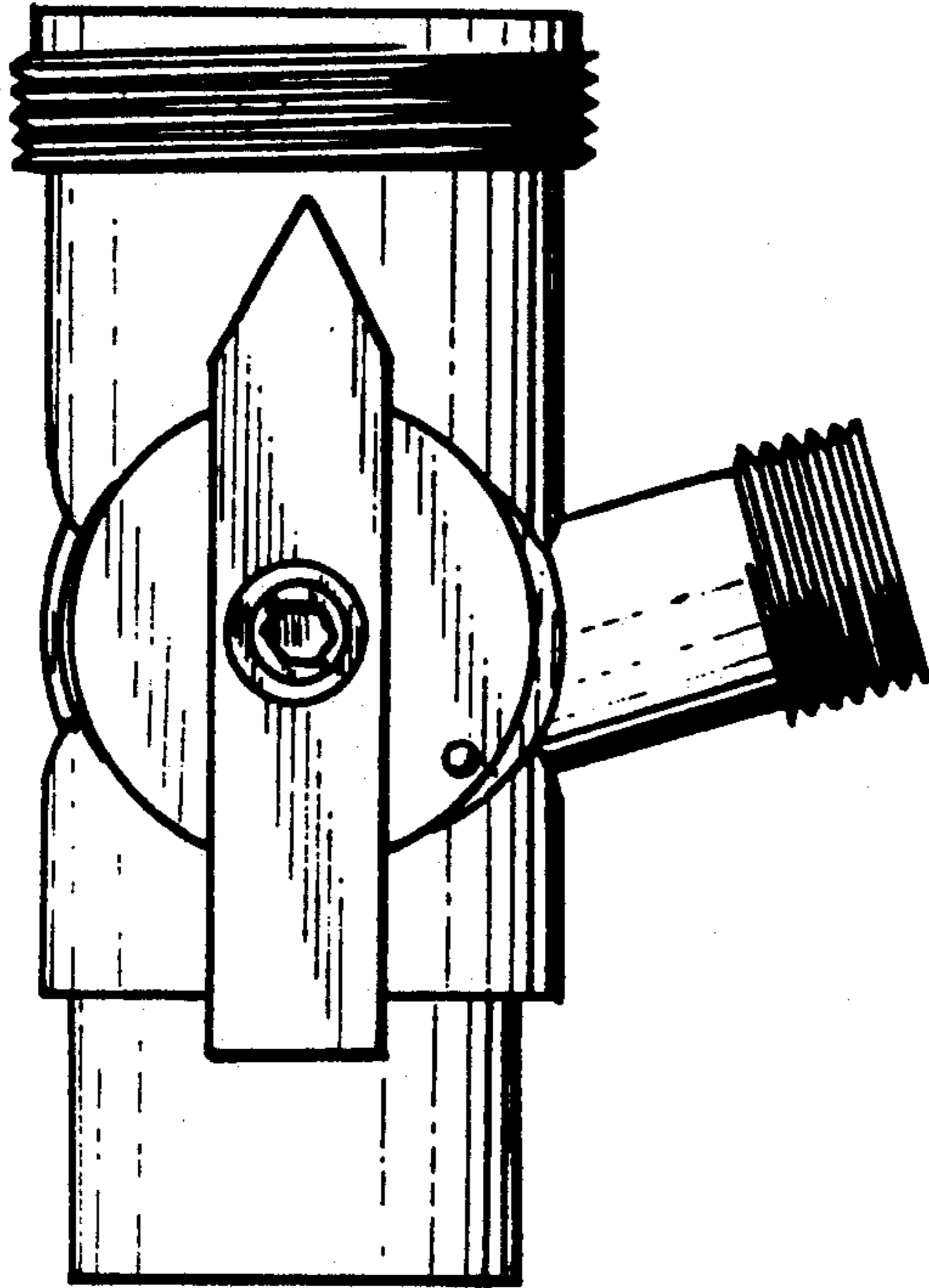


FIG. 1

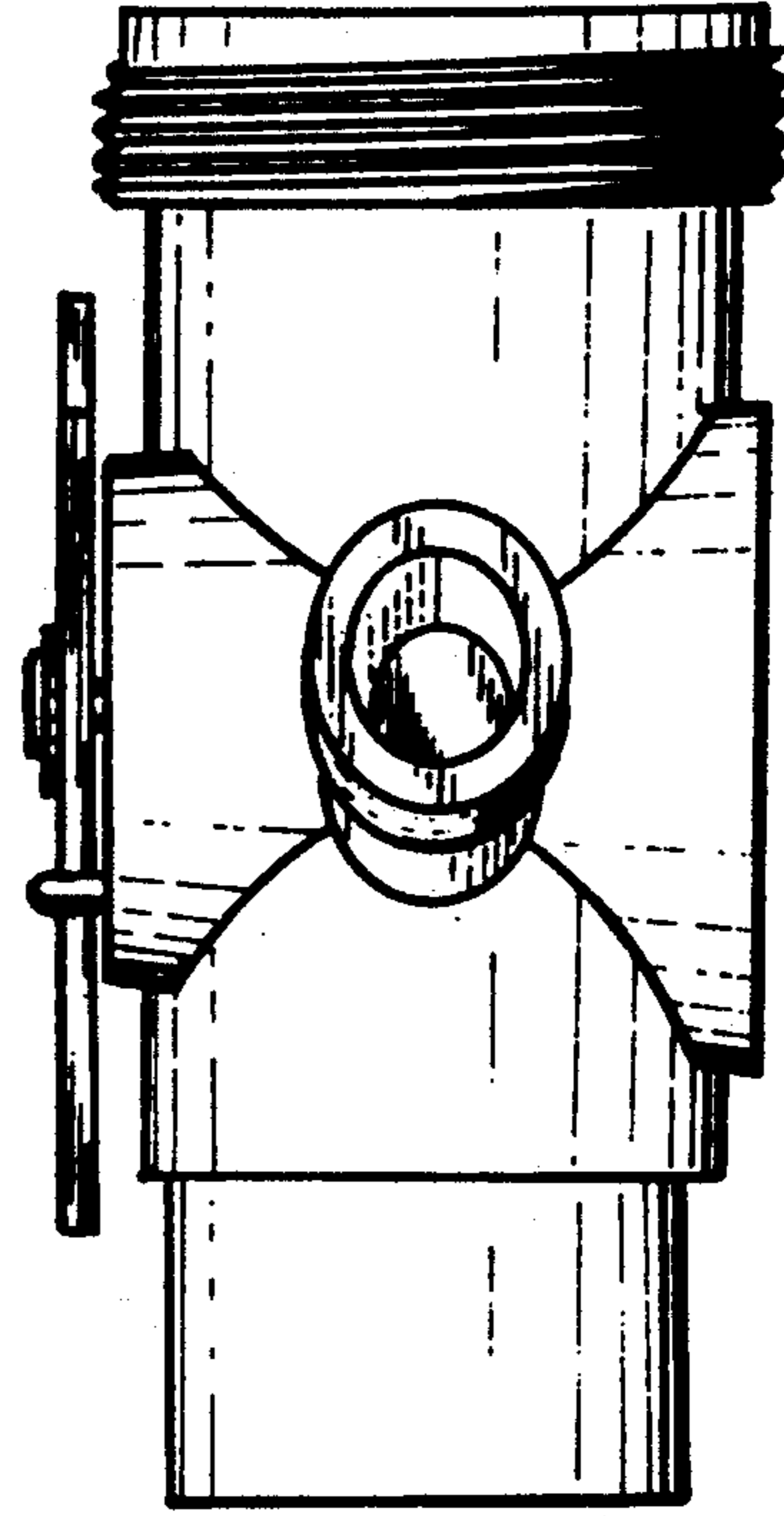


FIG. 2

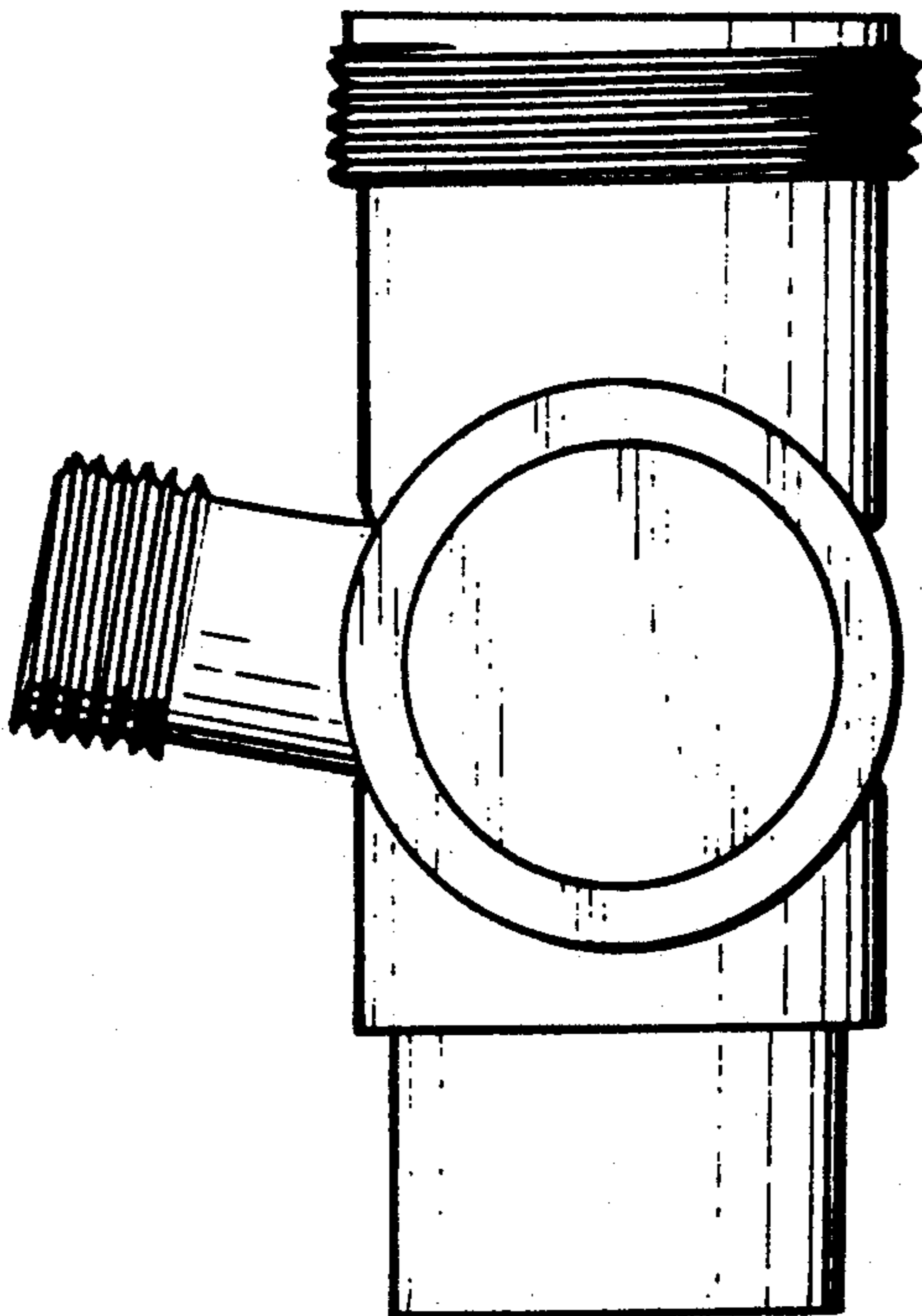


FIG. 3

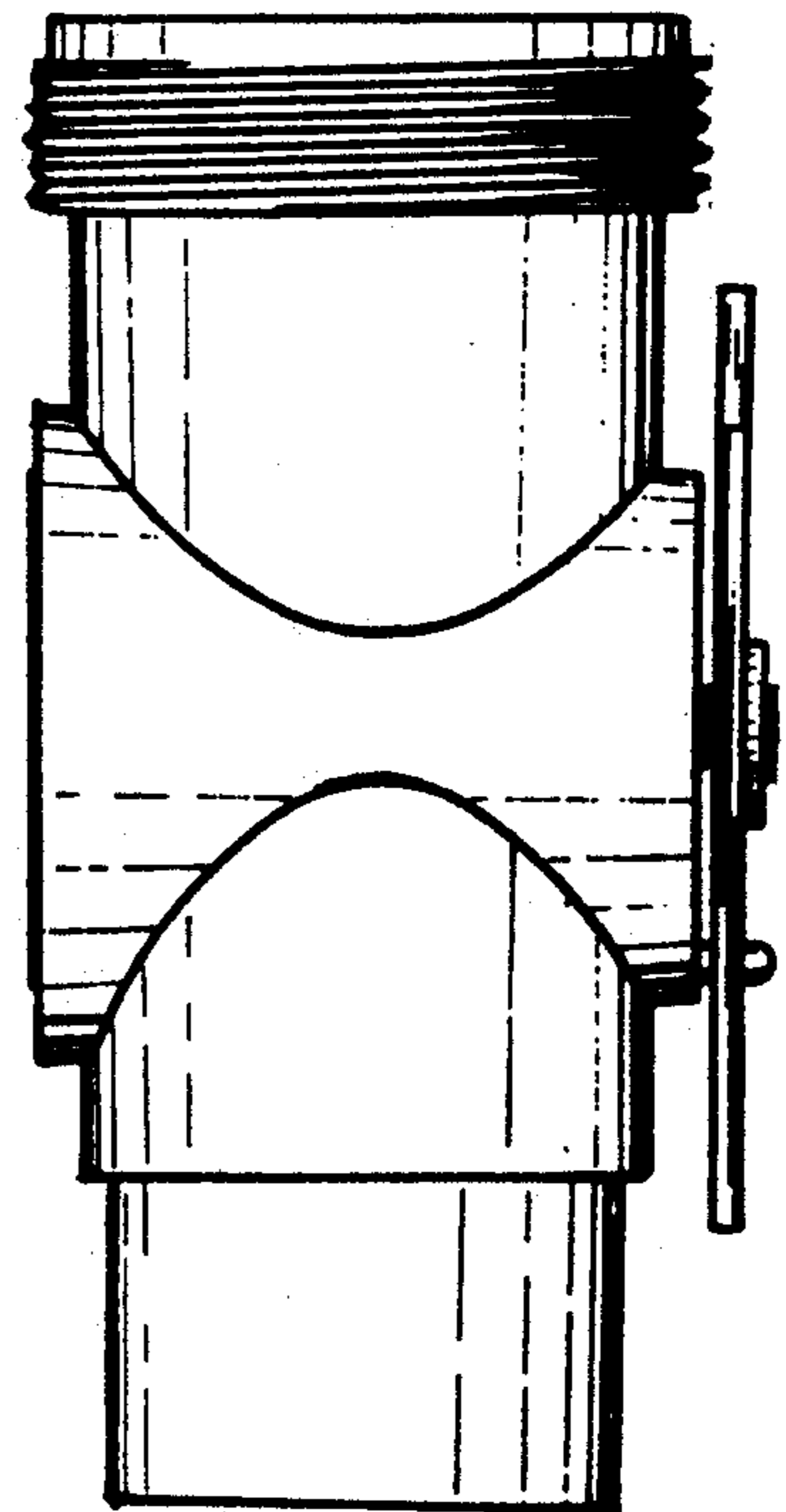


FIG. 4

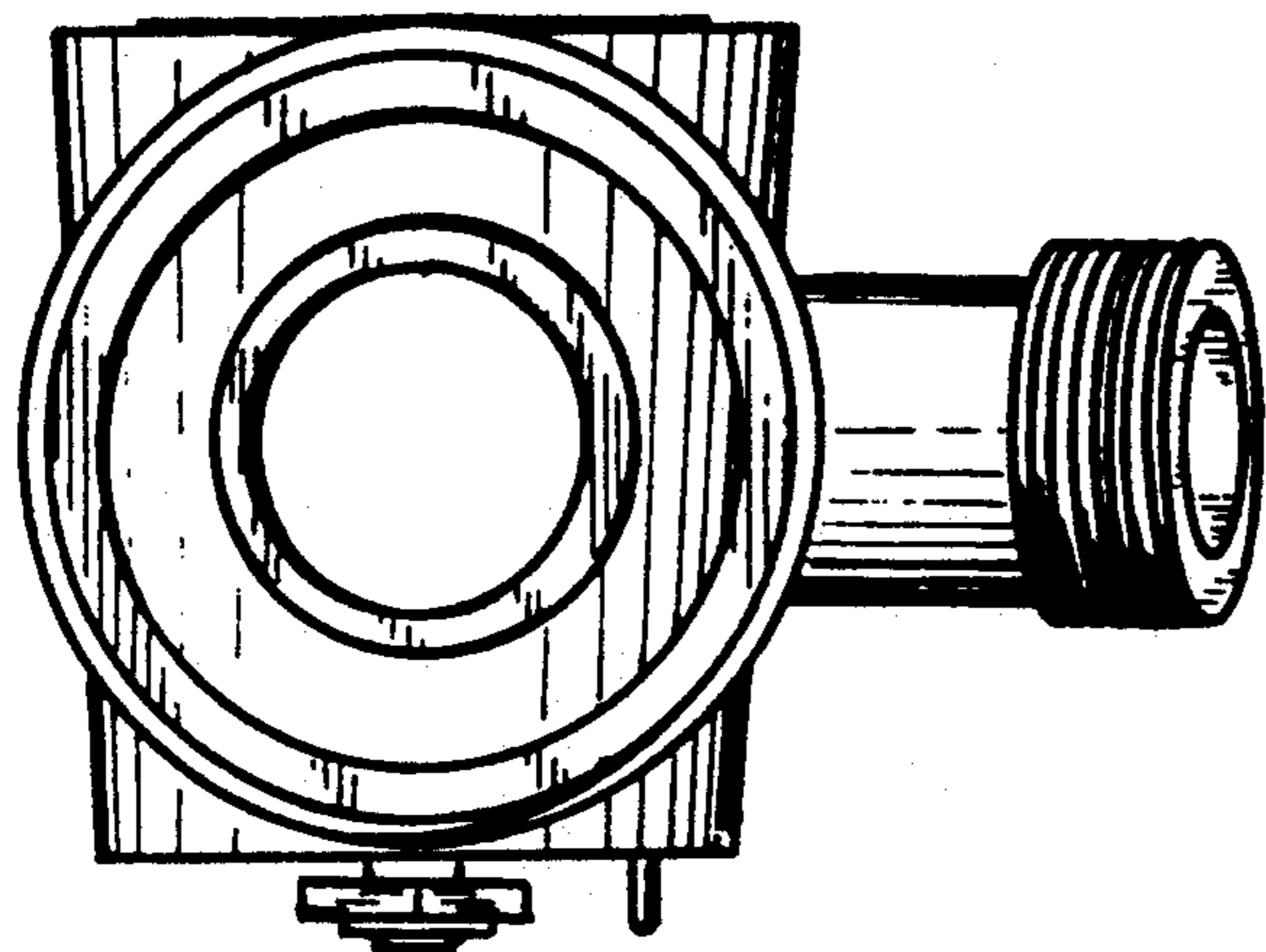


FIG. 5

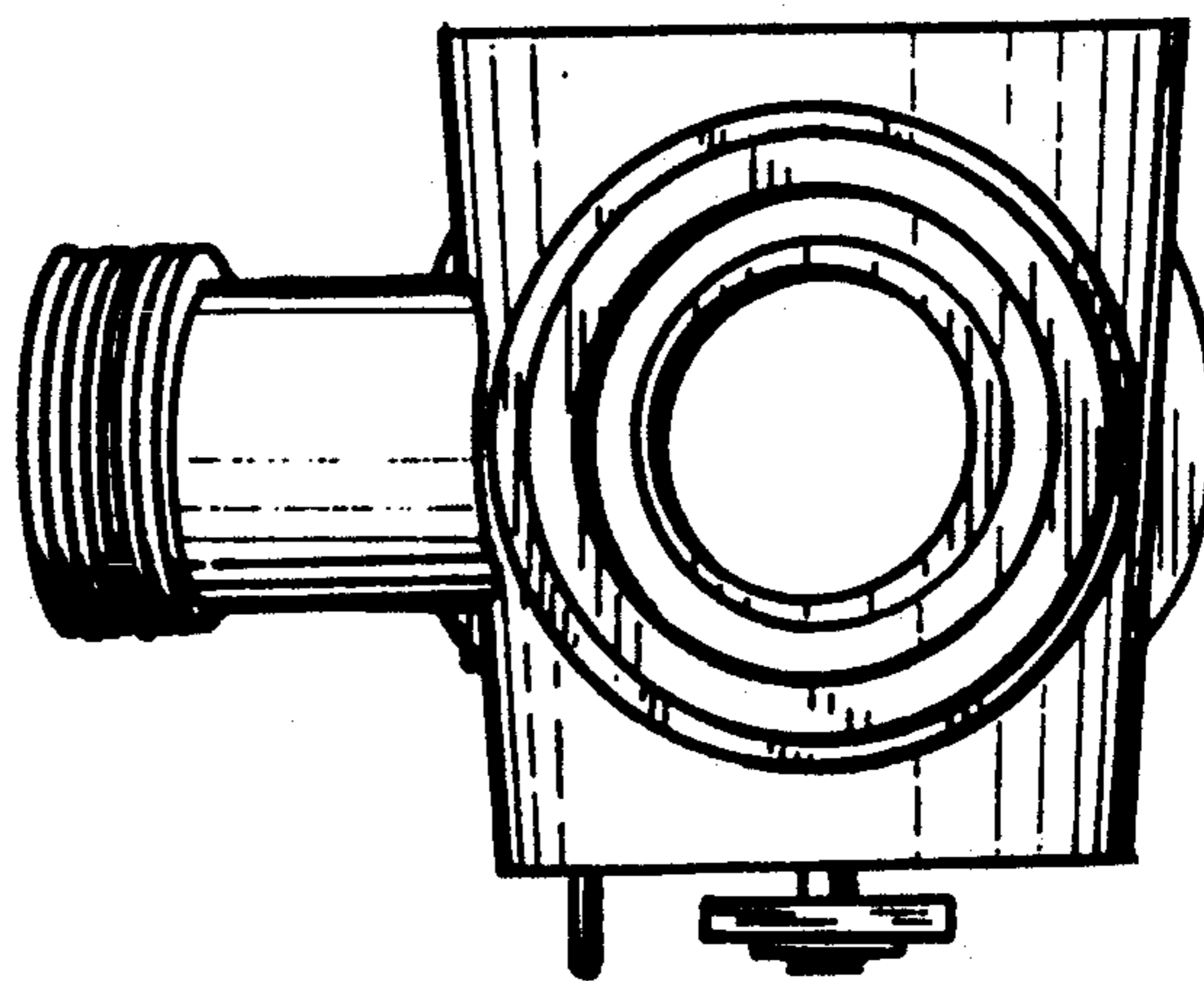


FIG. 6