



US00D338697S

United States Patent [19]

Salmon et al.

[11] Patent Number: **Des. 338,697**

[45] Date of Patent: **** Aug. 24, 1993**

[54] **DOUBLE TANK WATER GUN WITH DIRECTIONAL NOZZLE**

[75] Inventors: **Robert W. Salmon, Bergen County; Bruce M. D'Andrade, Readington Township, Hunterdon County, both of N.J.**

[73] Assignee: **Larami Corporation, Philadelphia, Pa.**

[**] Term: **14 Years**

[21] Appl. No.: **901,512**

[22] Filed: **Jun. 19, 1992**

[52] U.S. Cl. **D21/147**

[58] Field of Search **D21/145, 146, 147; D23/225; 222/78, 79; 446/267, 473; 239/211, 329, 337, 373**

[56] **References Cited**
U.S. PATENT DOCUMENTS

D. 265,221 6/1982 Hardin D21/147

D. 285,327 8/1986 Yano D21/147
D. 318,309 7/1991 D'Andrade D21/147
2,303,510 12/1942 Swebilus 446/473
5,074,437 12/1991 D'Andrade 446/473
5,150,819 9/1992 Johnson 446/473

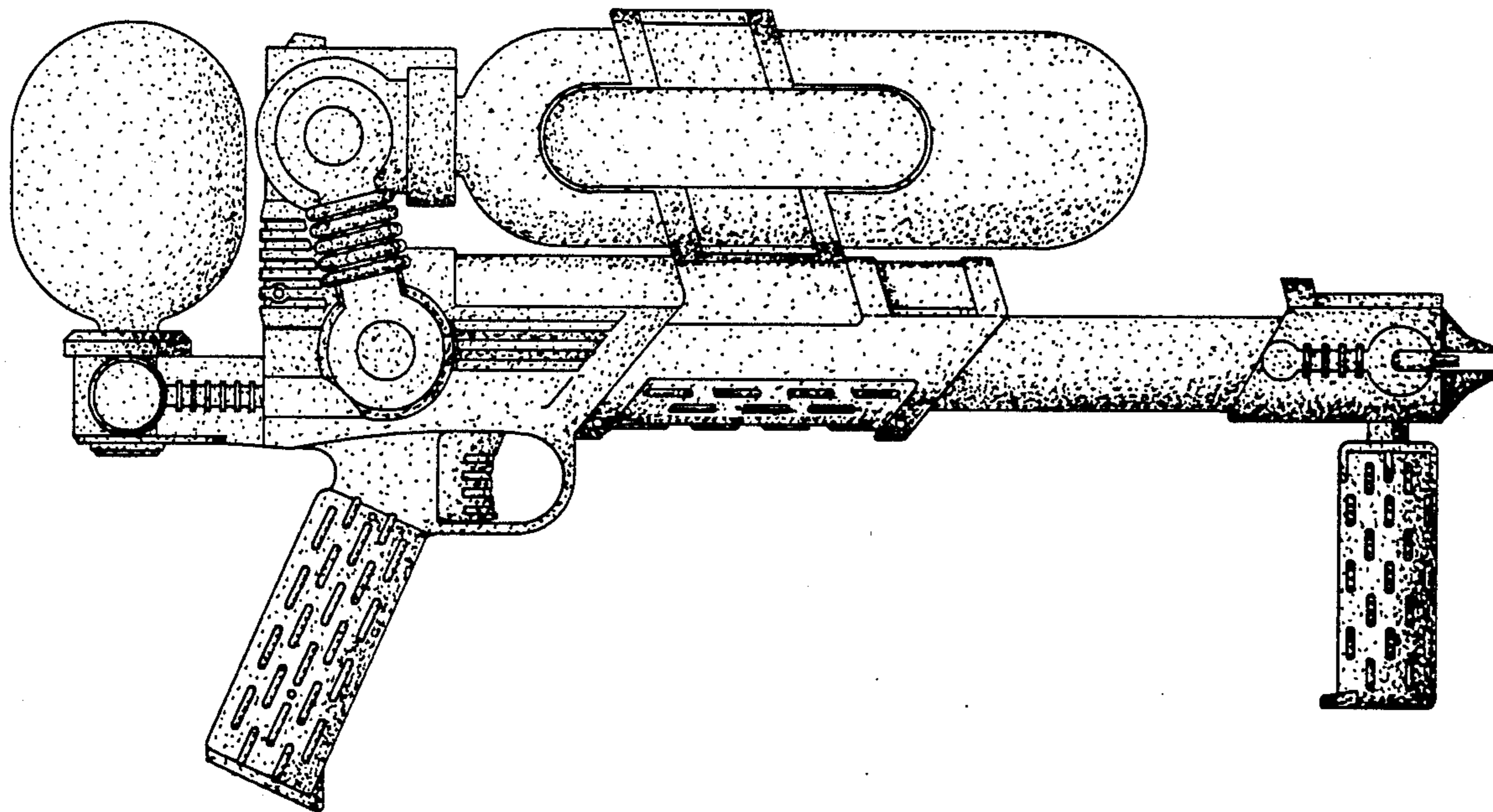
Primary Examiner—Bernard Ansher
Assistant Examiner—R. Barkai
Attorney, Agent, or Firm—Kenneth P. Glynn

[57] **CLAIM**

The ornamental design for a double tank water gun with directional nozzle, as shown and described.

DESCRIPTION

FIG. 1 is a front elevational view of a double tank water gun with directional nozzle showing our new design; FIG. 2 is a rear elevational view thereof; FIG. 3 is a left side elevational view thereof with the right side elevational view being a mirror image thereof; FIG. 4 is a top plan view thereof; and, FIG. 5 is a bottom plan view thereof.



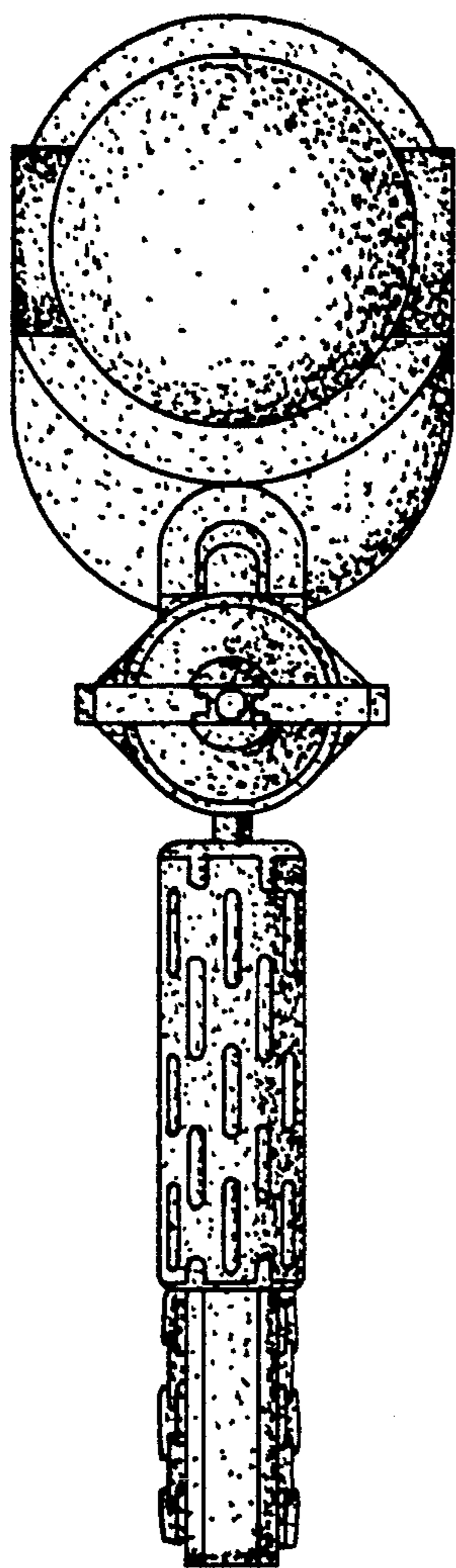


FIG. 1

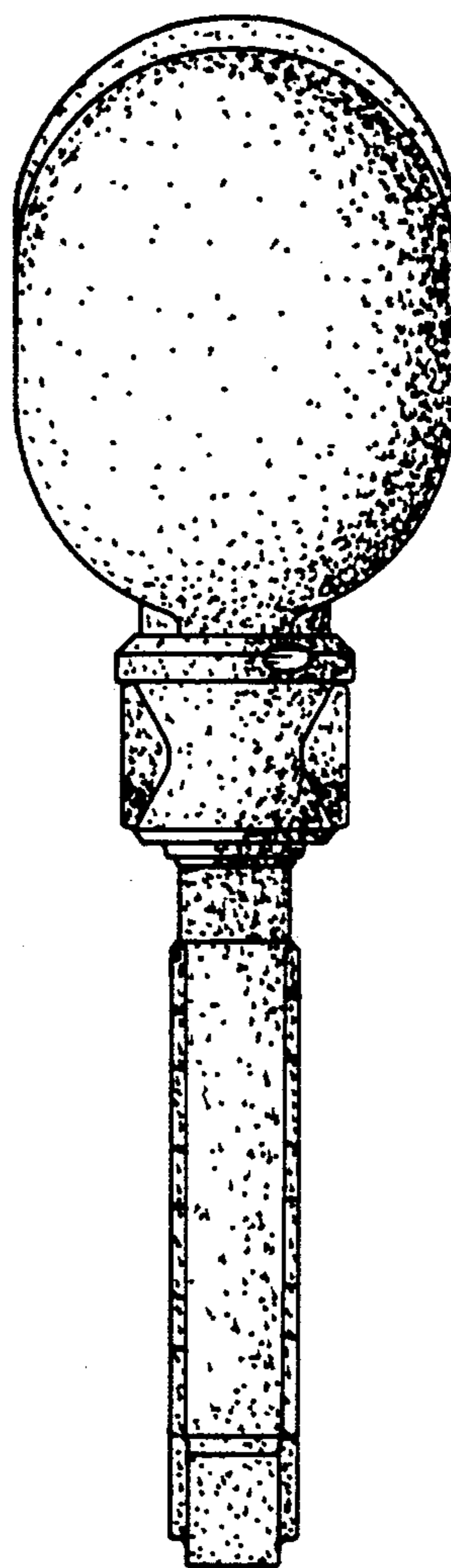


FIG. 2

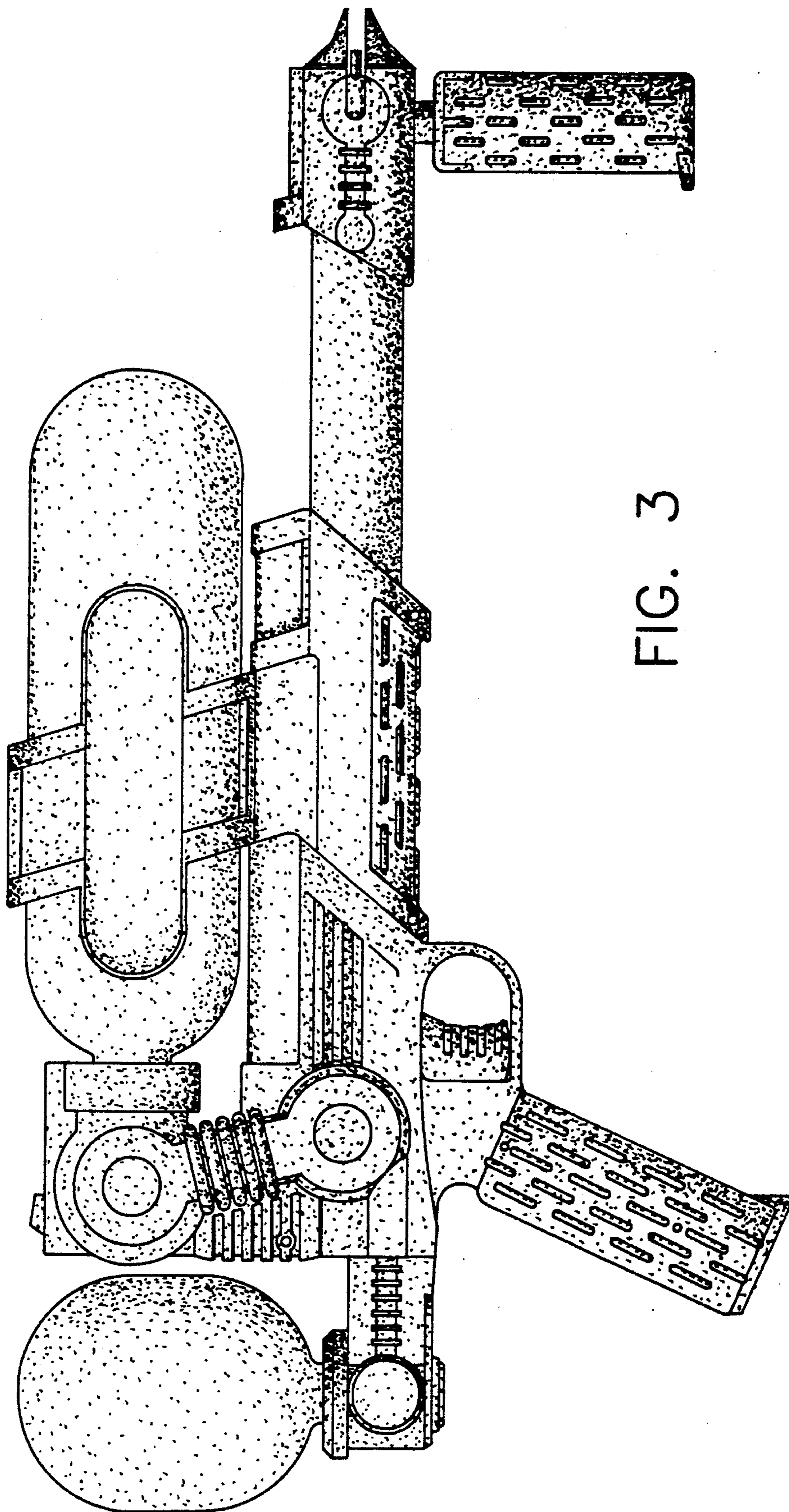


FIG. 3

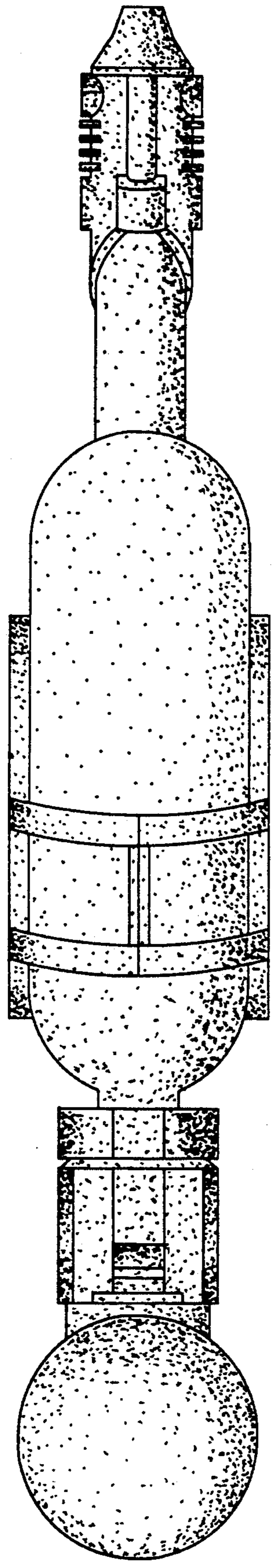


FIG. 4

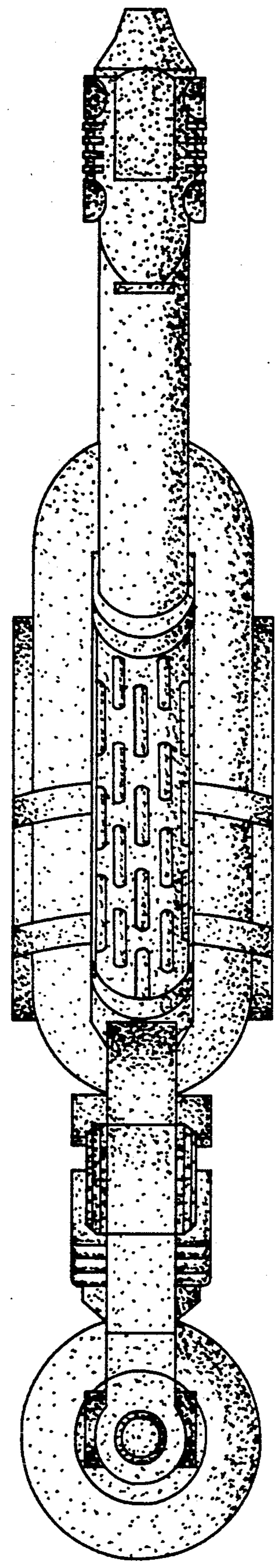


FIG. 5