



US00D338696S

United States Patent [19]

[11] Patent Number: **Des. 338,696**

Monneret

[45] Date of Patent: **** Aug. 24, 1993**

[54] TOY STROLLER

[75] Inventor: **Alain Monneret, Voiteur, France**

[73] Assignee: **Monneret Jouets Societe Anonyme,
Lons Le Saunier, France**

[**] Term: **14 Years**

[21] Appl. No.: **870,717**

[22] Filed: **Apr. 17, 1992**

[30] Foreign Application Priority Data

Dec. 20, 1991 [WO] World Int. Prop. O. DM/021490
 [52] U.S. Cl. **D21/134**
 [58] Field of Search D21/73, 76-80,
 D21/124, 128, 134, 136, 139, 141, 141.1, 142,
 161, 168, 177, 250; D12/85, 92, 128, 129;
 D19/63; 446/7, 279, 281, 451, 465; 280/47.36,
 642-644, 658

[56] References Cited

U.S. PATENT DOCUMENTS

D. 288,545	3/1987	Daykin	D12/129
D. 288,797	3/1987	Daykin	D12/129
D. 293,227	12/1987	McElhaney	D12/129
D. 305,314	1/1990	Julien	D12/129
3,953,046	4/1976	Johansson	280/644
4,844,504	7/1989	Bigo	280/642

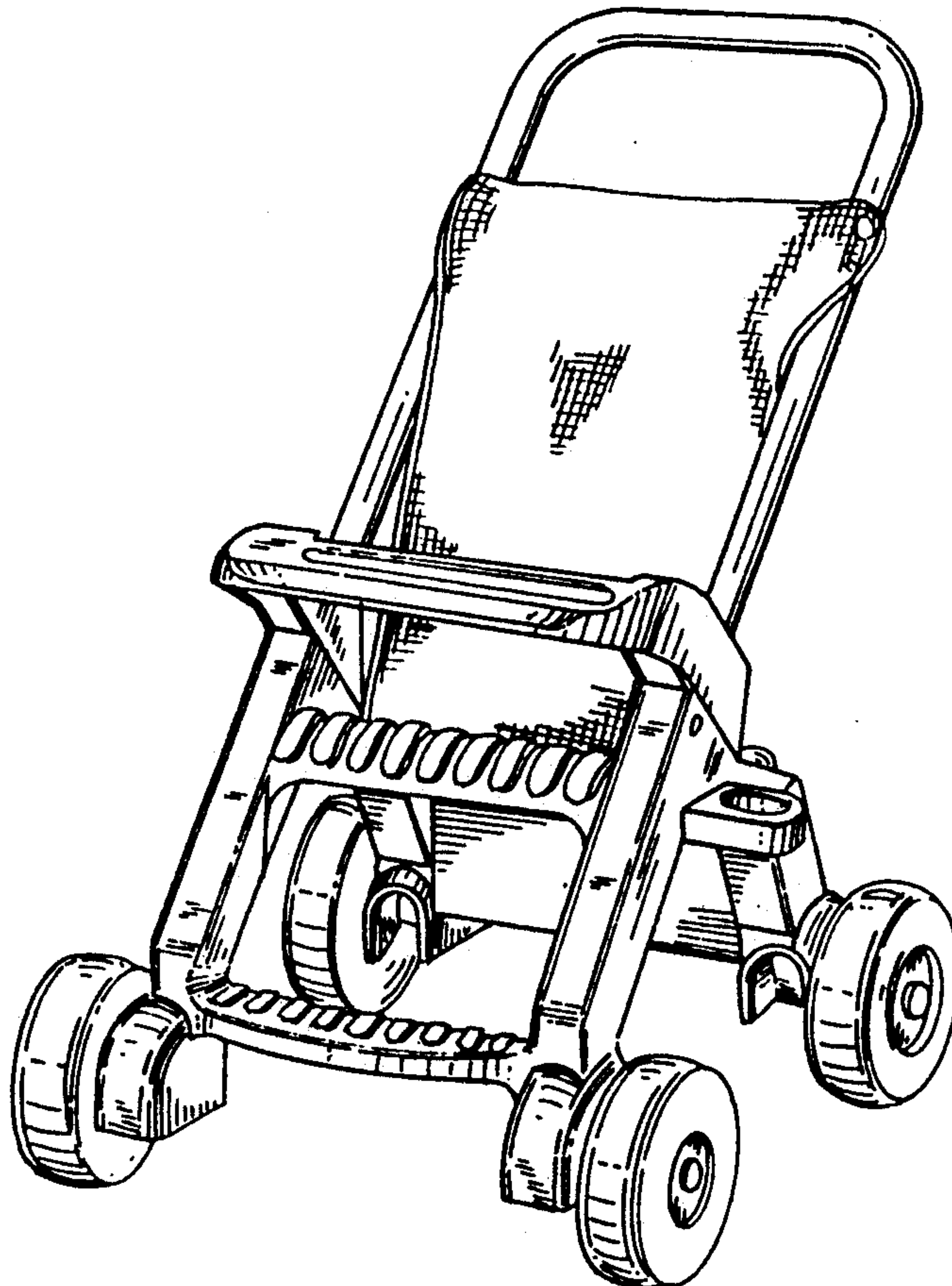
Primary Examiner—Bernard Ansher
Assistant Examiner—R. Barkai
Attorney, Agent, or Firm—Young & Thompson

[57] CLAIM

The ornamental design for a toy stroller, as shown.

DESCRIPTION

FIG. 1 is a top, front and side perspective view of a toy stroller showing my new design;
 FIG. 2 is a front elevational view thereof;
 FIG. 3 is a rear elevational view thereof;
 FIG. 4 is a side elevational view thereof from the left of FIG. 2;
 FIG. 5 is a side elevational view thereof from the right of FIG. 2; and,
 FIG. 6 is a top plan view thereof.



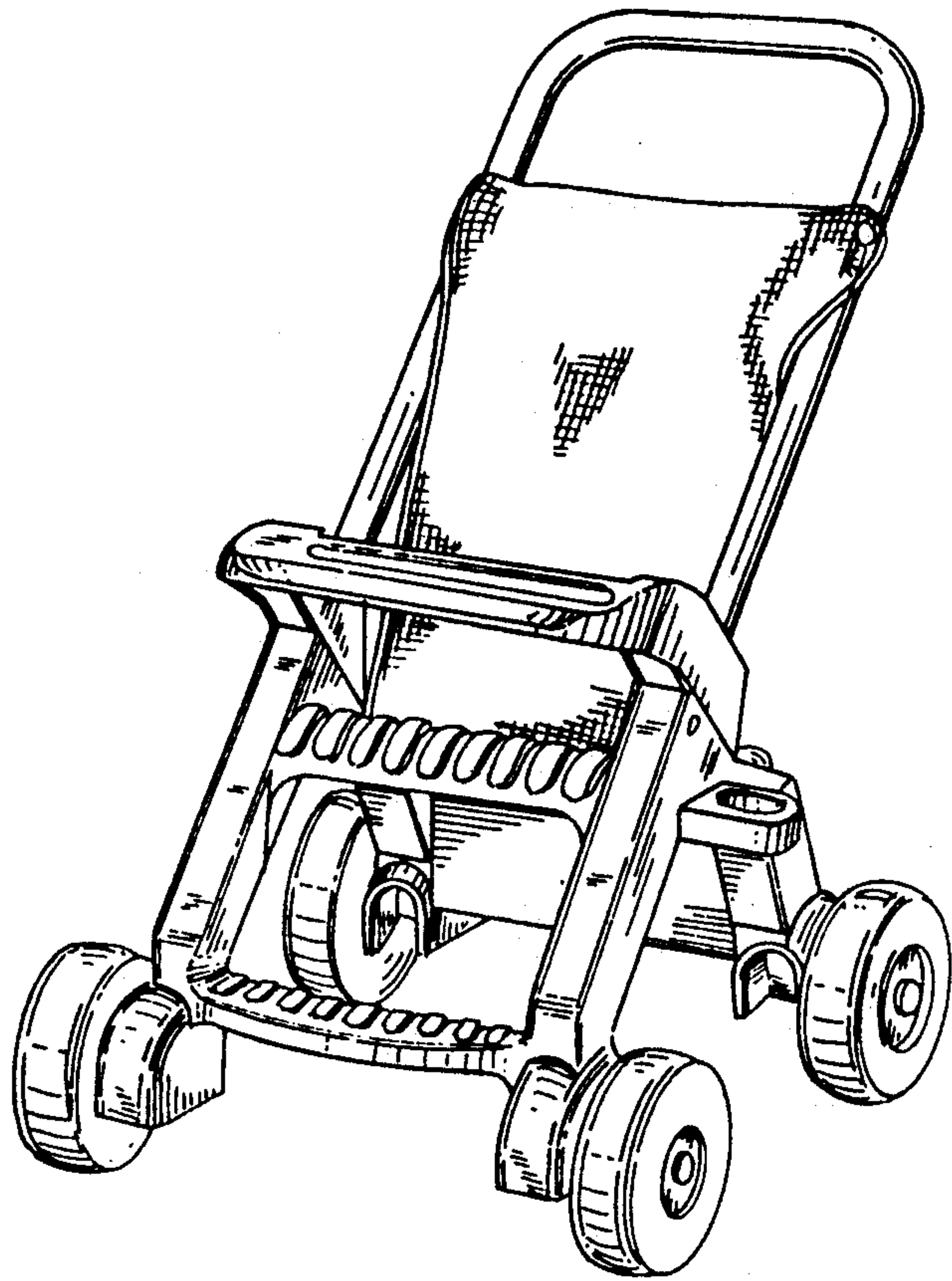
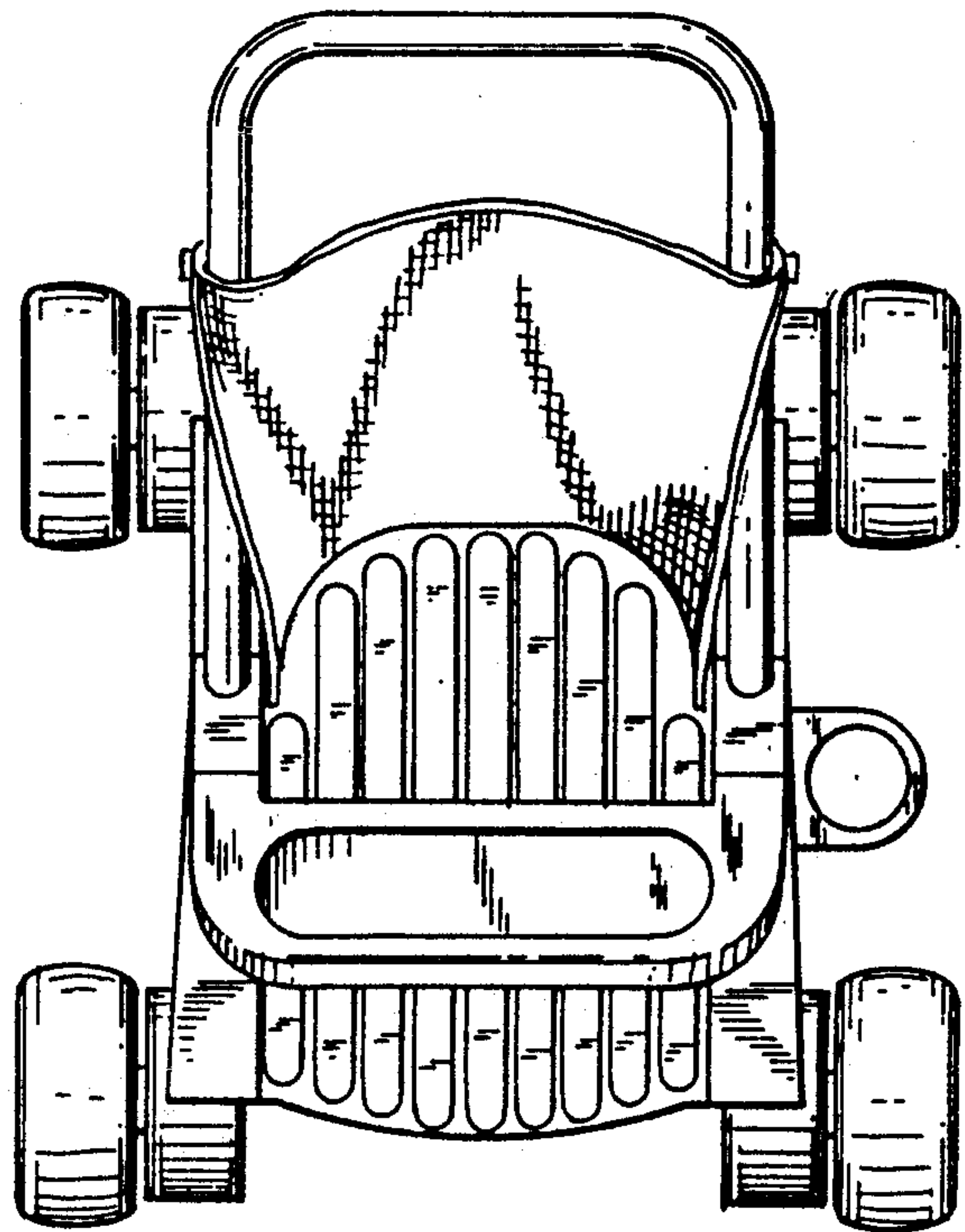


FIG. 1

FIG. 6



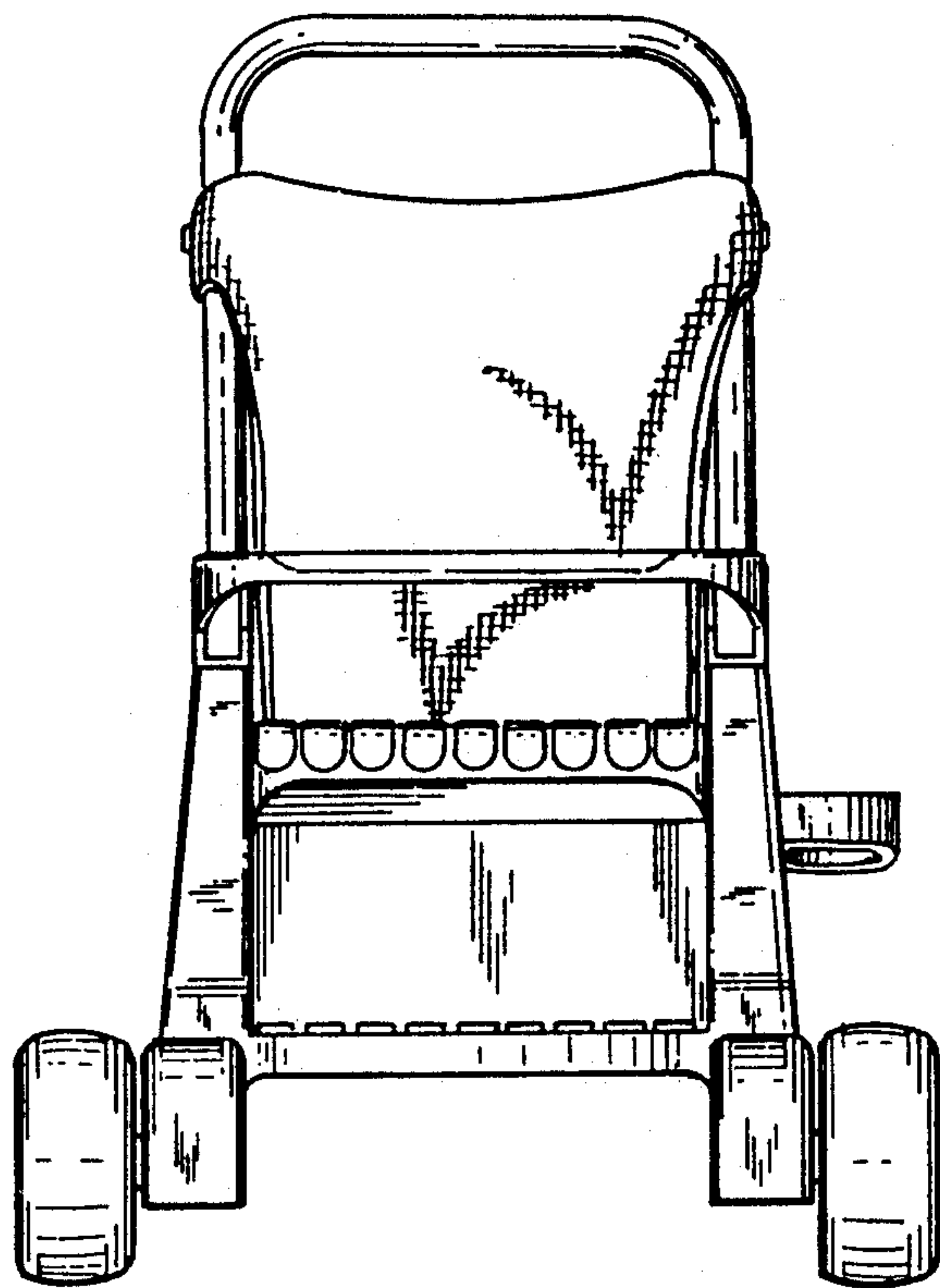
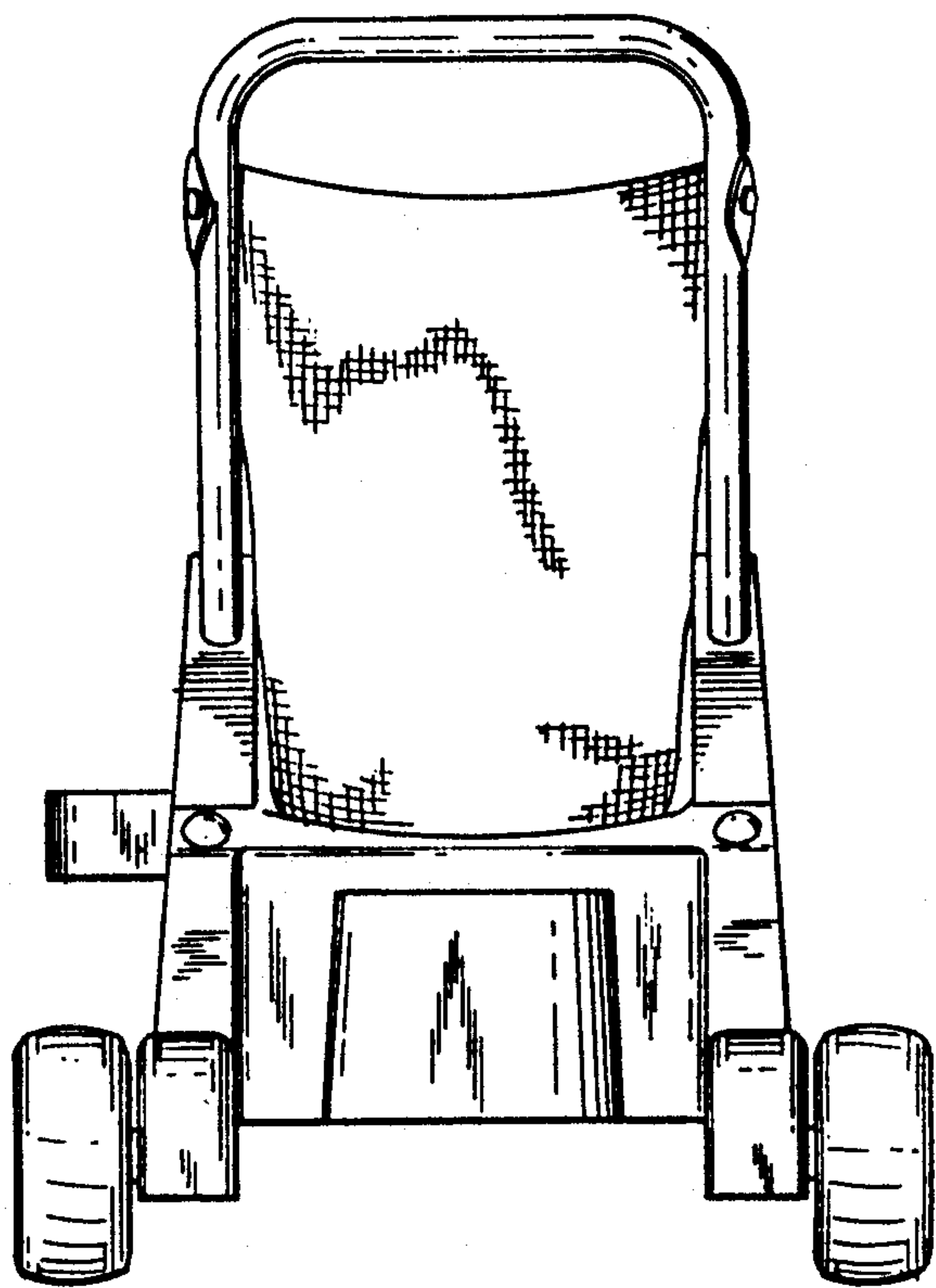


FIG. 2

FIG. 3



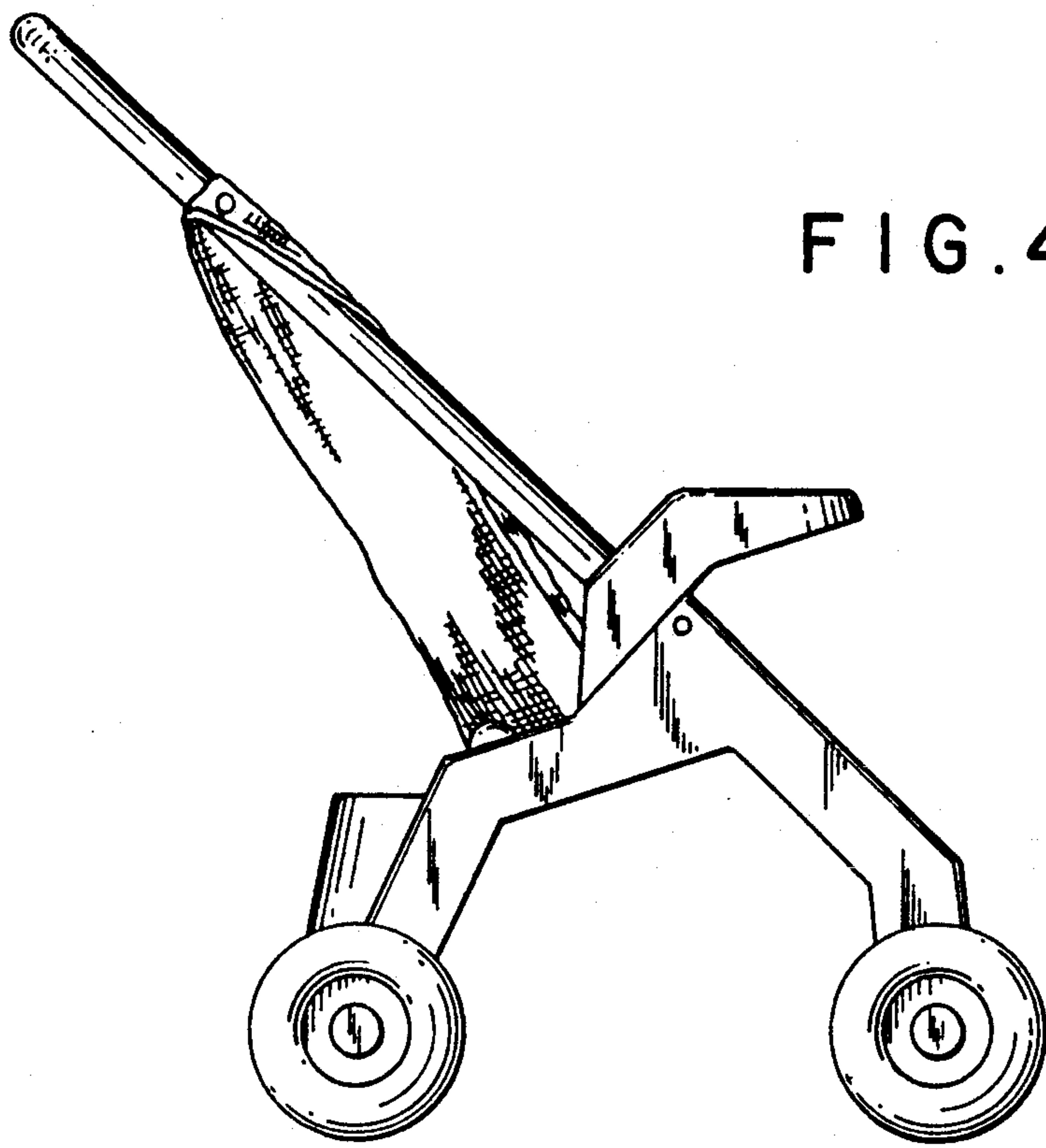


FIG. 4

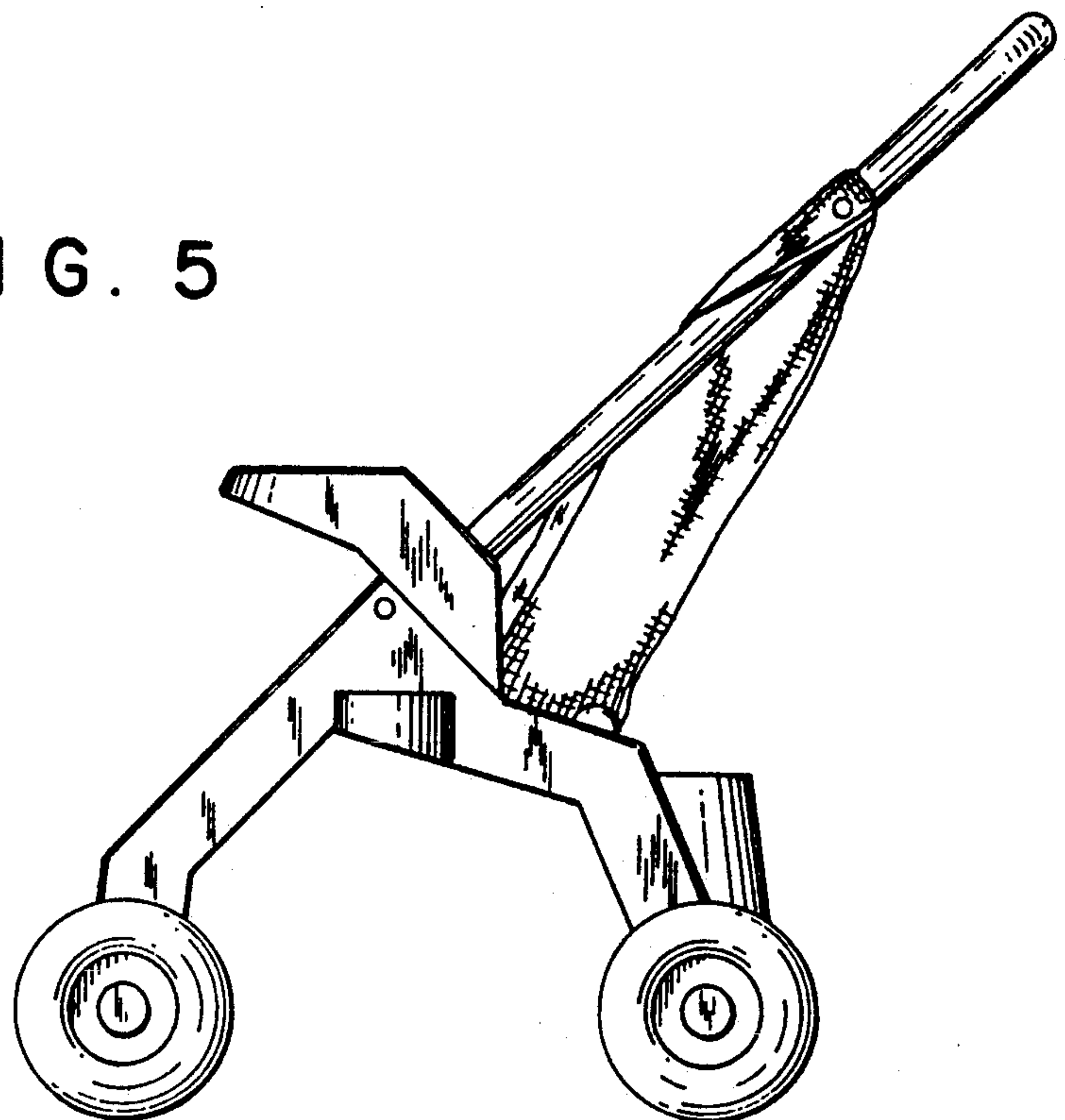


FIG. 5