



US00D338693S

# United States Patent [19]

[11] Patent Number: **Des. 338,693**

**Krebs**

[45] Date of Patent: **\*\* Aug. 24, 1993**

[54] **TOY HELICOPTER**

D. 289,781	5/1987	Dideriksen	.....	D21/90
D. 294,604	3/1988	Shibukawa	.....	D21/90
3,229,931	1/1966	Larsen	.....	244/17.11

[75] Inventor: **T. A. Krebs, Englewood, Fla.**

[73] Assignee: **Brown Box Too, Inc., Englewood, Fla.**

*Primary Examiner*—Bernard Ansher  
*Assistant Examiner*—Dominic Simone  
*Attorney, Agent, or Firm*—Charles J. Prescott

[\*\*] Term: **14 Years**

[57] **CLAIM**

[21] Appl. No.: **754,697**

The ornamental design for a toy helicopter, as shown and described.

[22] Filed: **Sep. 26, 1991**

[52] U.S. Cl. .... **D21/82; D21/87; D21/90**

**DESCRIPTION**

[58] Field of Search ..... **D21/82, 85, 87, 90; D12/327; 446/36; 244/17.11**

FIG. 1 is a perspective view of a toy helicopter showing my new design;

[56] **References Cited**

**U.S. PATENT DOCUMENTS**

D. 264,329 5/1982 Folks ..... D12/327

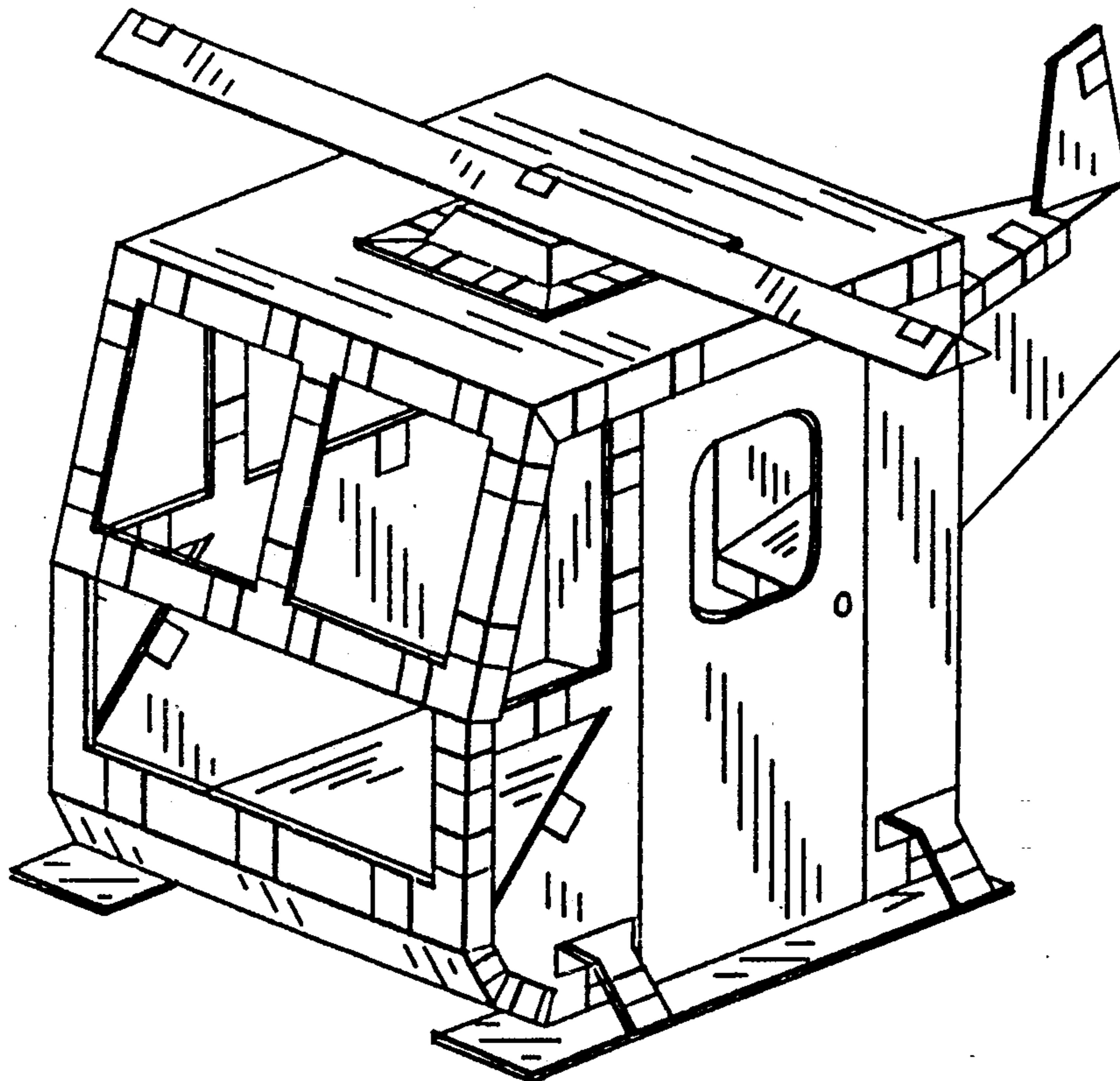
FIG. 2 is a right side elevational view thereof;

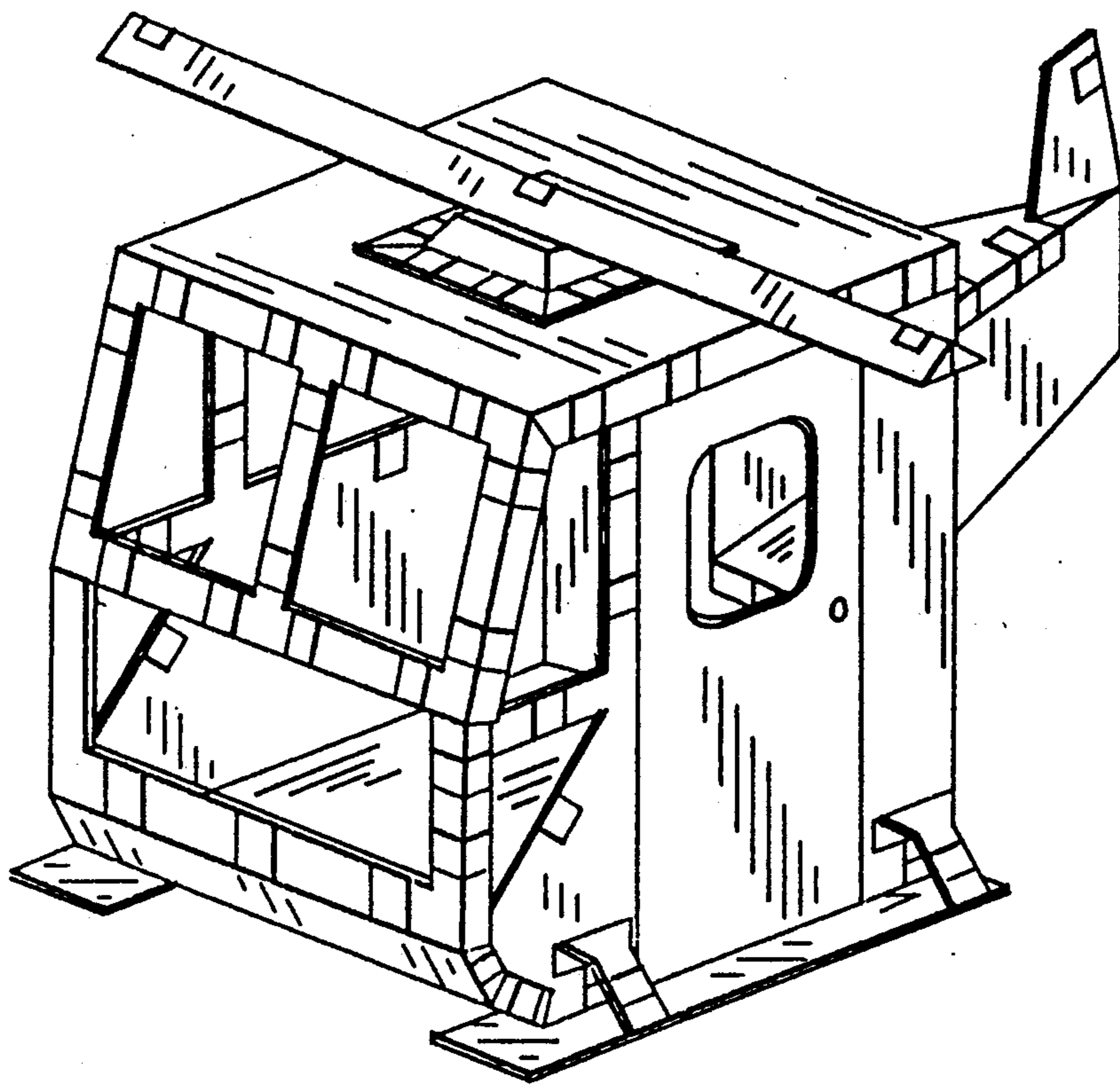
FIG. 3 is a left side elevational view thereof;

FIG. 4 is a front elevational view thereof;

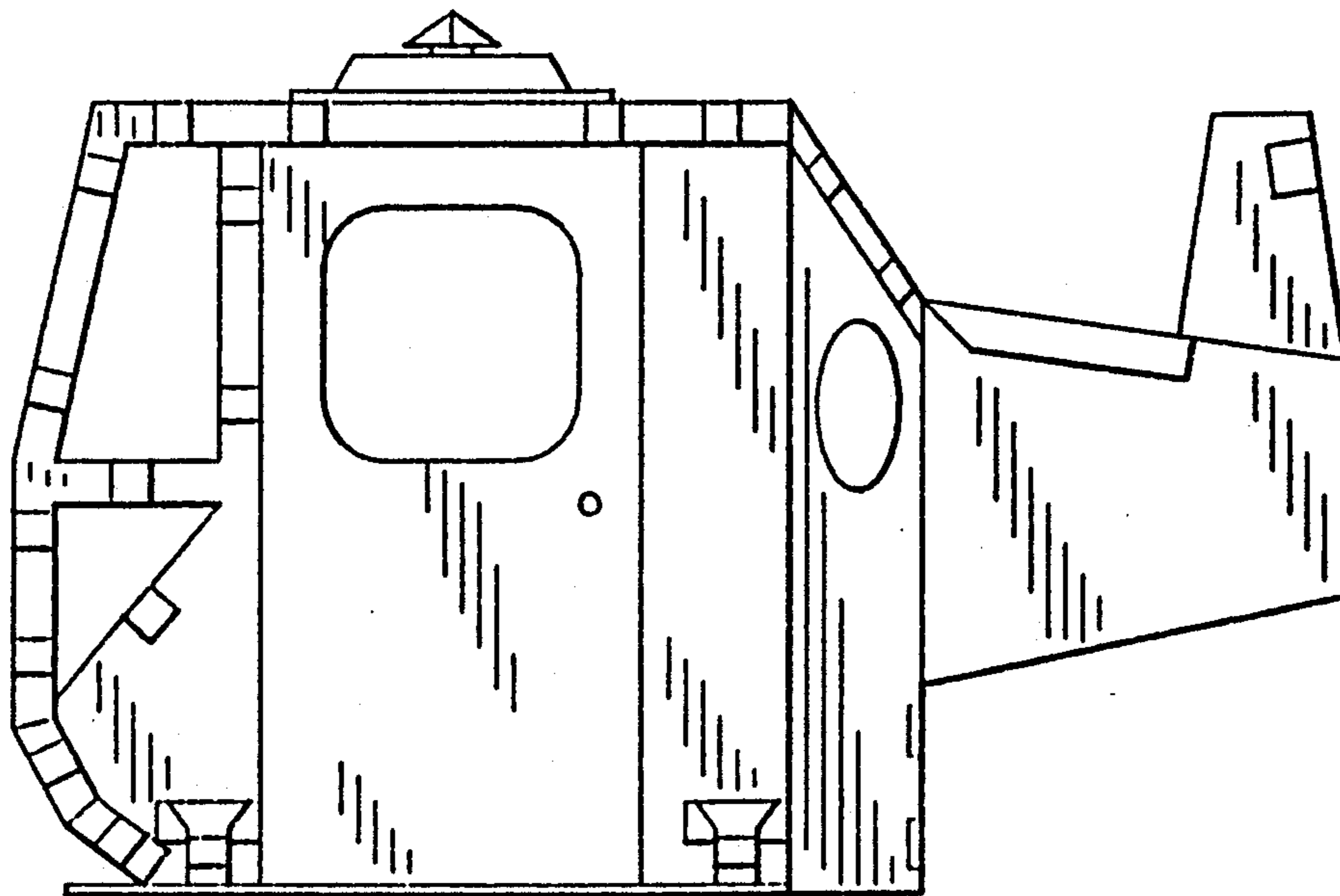
FIG. 5 is a rear elevational view thereof; and,

FIG. 6 is a top plan view thereof.

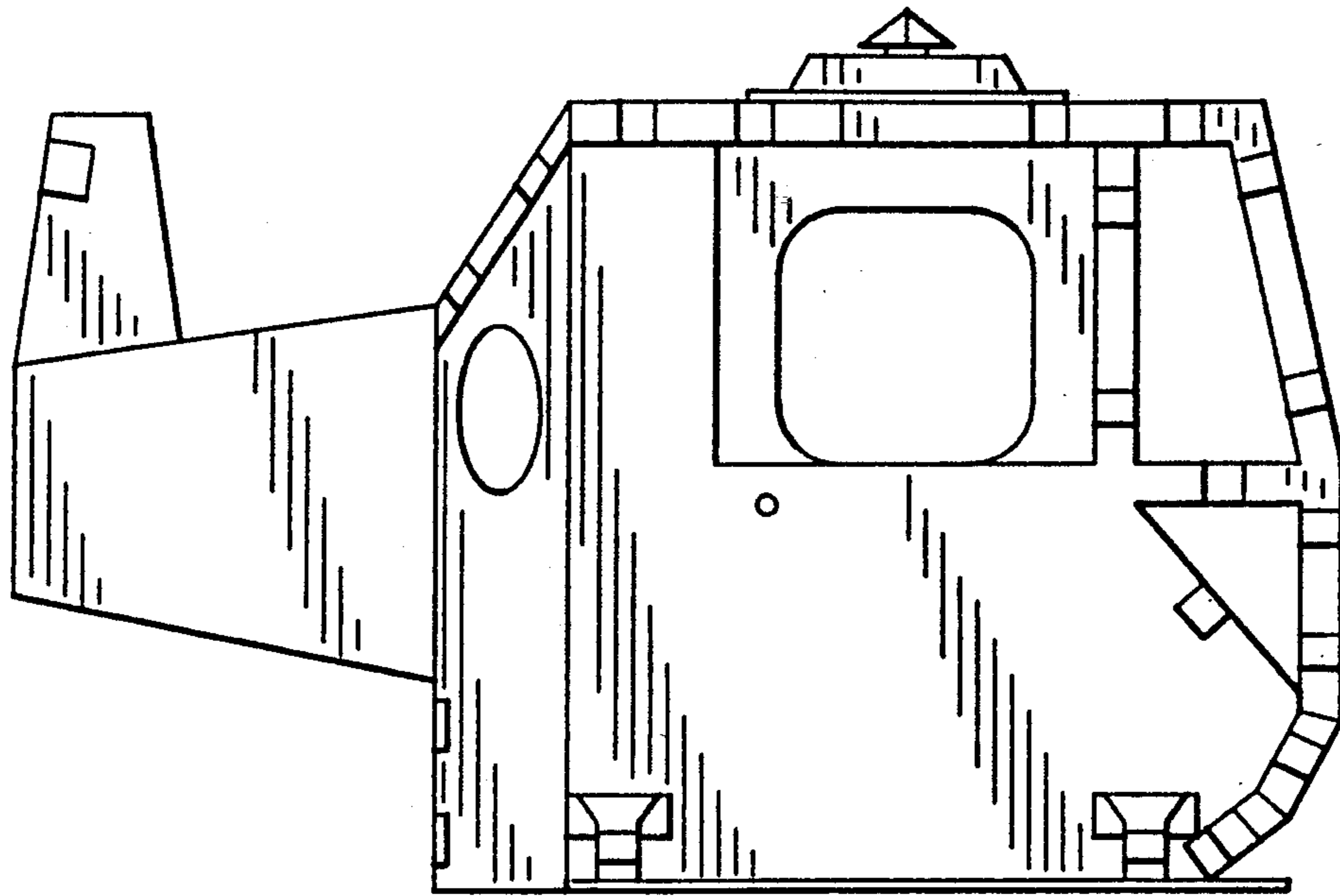




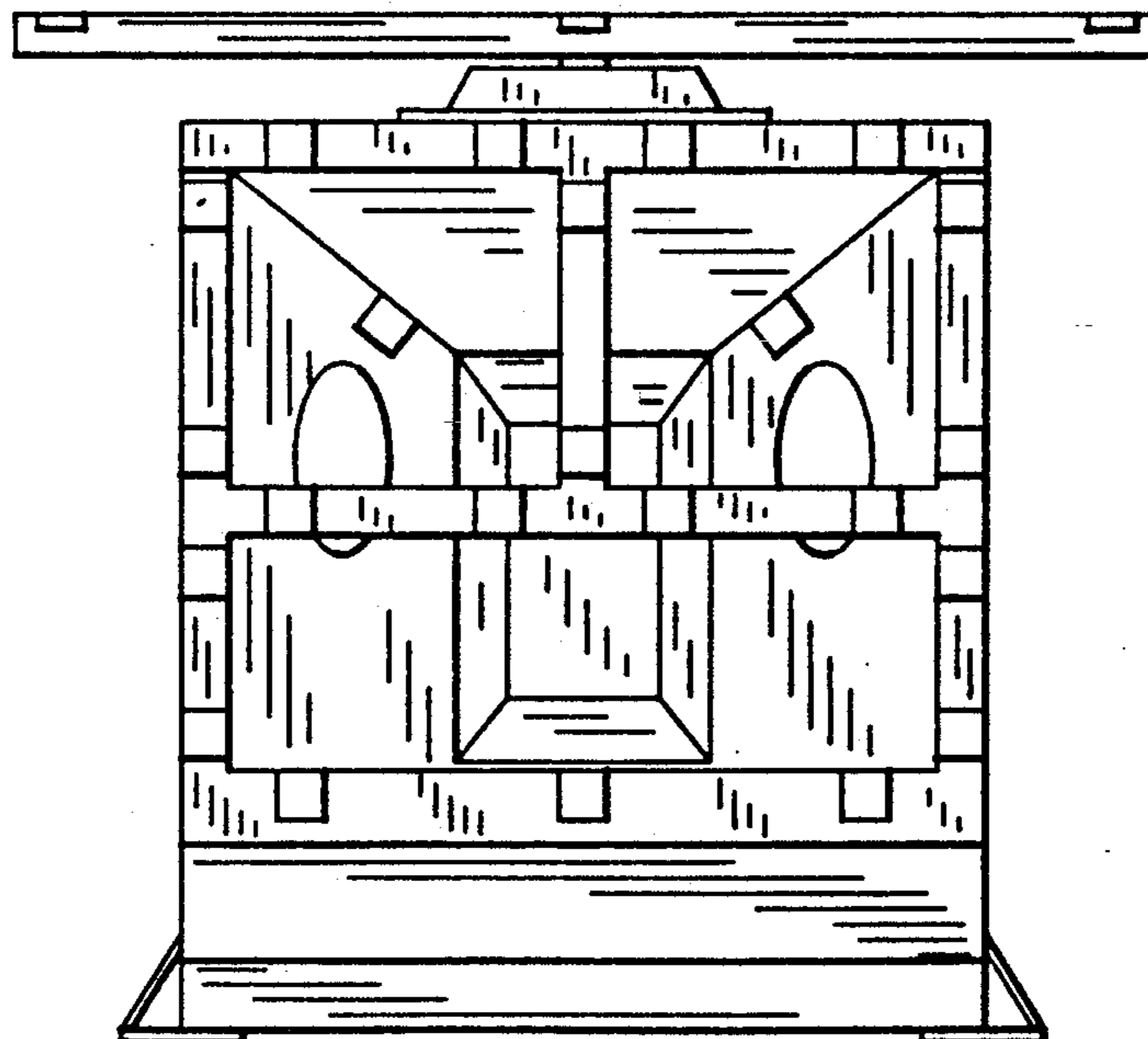
**FIG. 1**



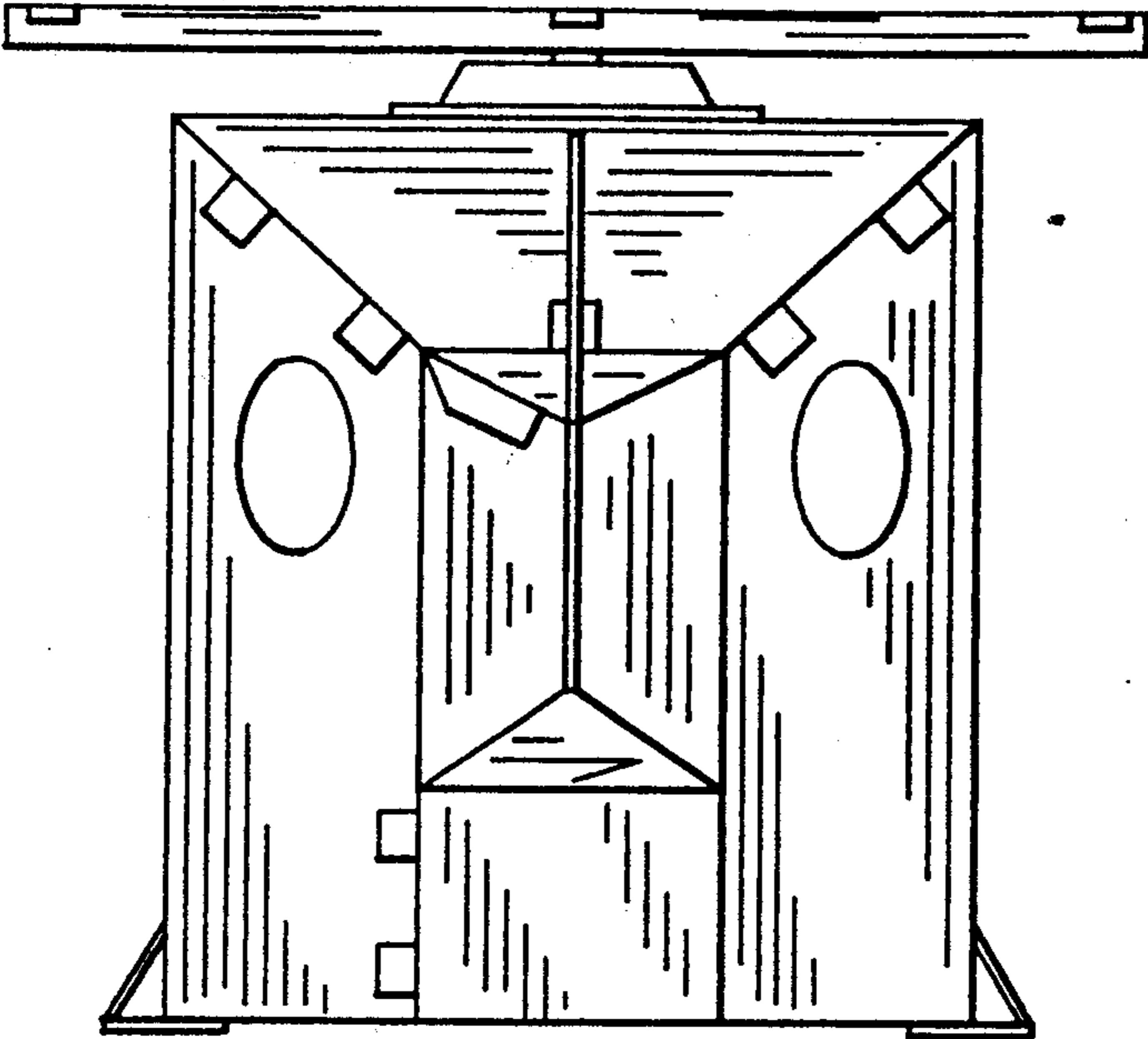
**FIG. 2**



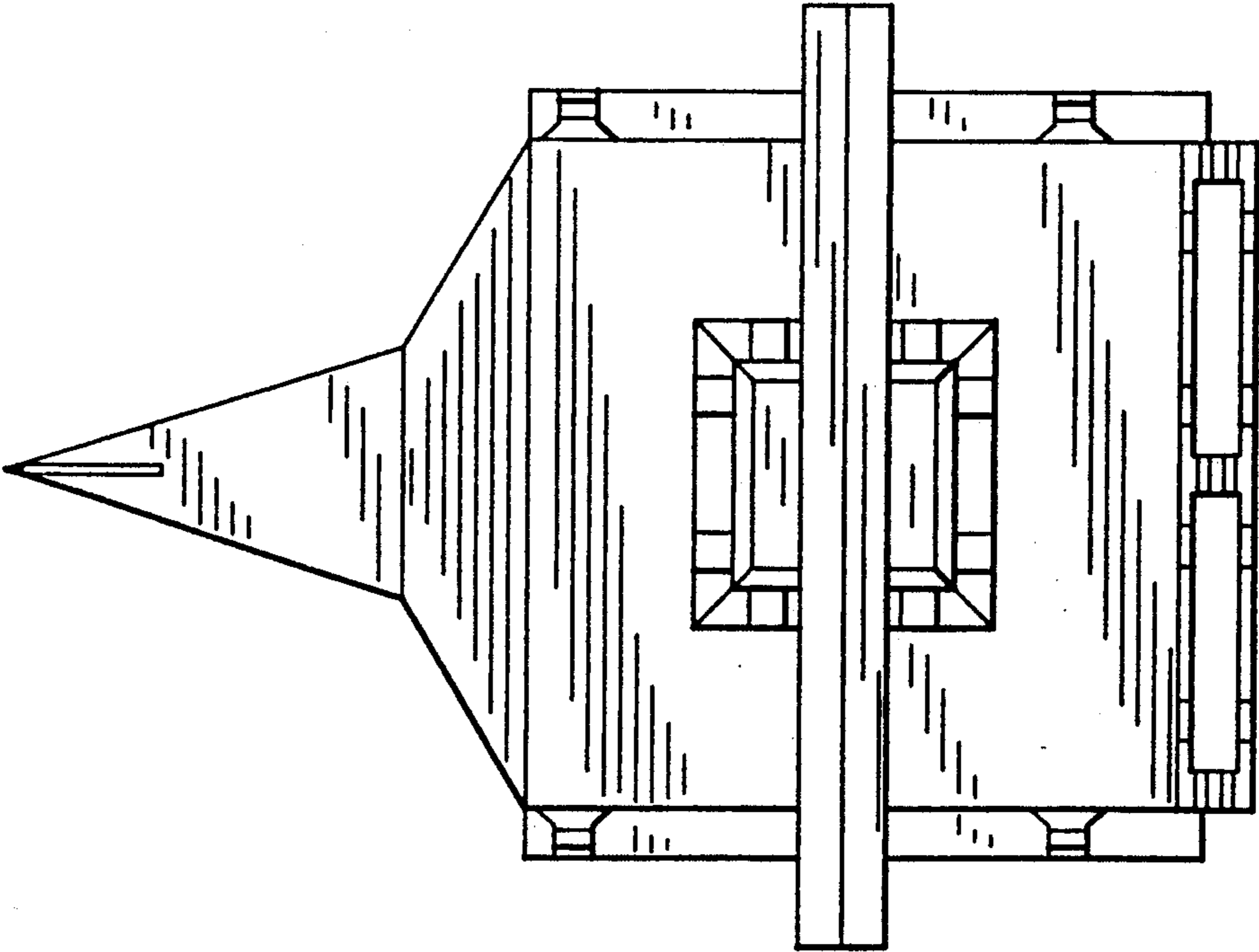
**FIG. 3**



**FIG. 4**



**FIG. 5**



**FIG. 6**