



US00D338692S

United States Patent [19] Young

[11] Patent Number: Des. 338,692

[45] Date of Patent: ** Aug. 24, 1993

[54] TOY BOX-LIKE TANK

[76] Inventor: Scott G. Young, 8636 Oak Rd.,
Baltimore, Md. 21234

[**] Term: 14 Years

[21] Appl. No.: 875,729

[22] Filed: Apr. 29, 1992

[52] U.S. Cl. D21/76

[58] Field of Search D21/76, 78, 131, 134,
D21/136, 137; D12/91, 92; D2/30; 446/465, 7,
433, 462, 470-471; 280/87.01; 296/107, 216;
180/190

3,347,557 10/1967 Cruson D21/76
3,608,234 9/1971 Davidson 446/7

Primary Examiner—Bernard Ansher
Assistant Examiner—R. Barkai
Attorney, Agent, or Firm—Leonard Bloom

[57] CLAIM

The ornamental design for a toy box-like tank, as shown and described.

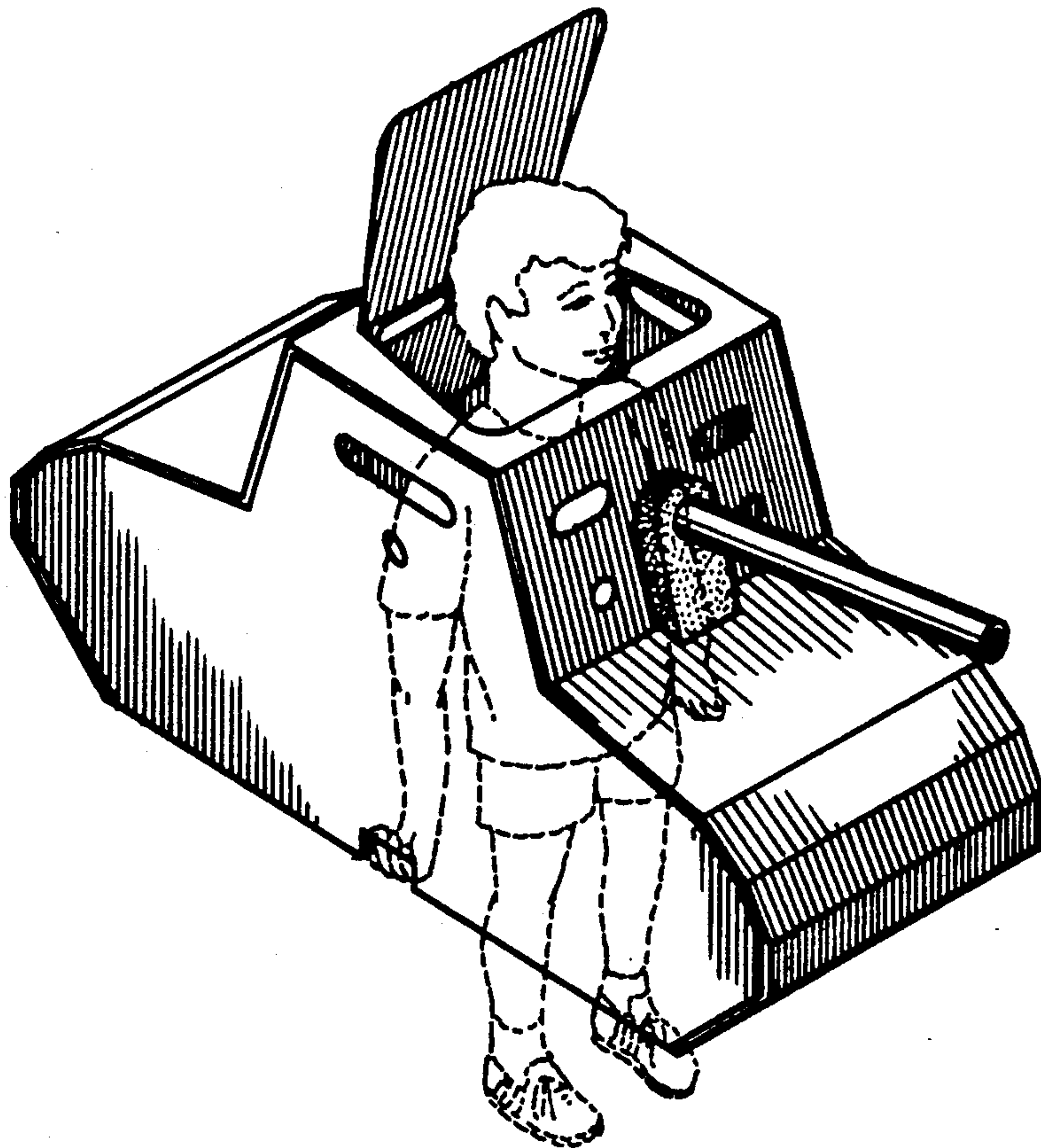
DESCRIPTION

FIG. 1 is a perspective view of the toy box-like tank showing my new design;
FIG. 2 is a right side elevational view thereof;
FIG. 3 is a front elevational view thereof;
FIG. 4 is a left side elevational view thereof;
FIG. 5 is a rear elevational view thereof;
FIG. 6 is a bottom plan view thereof;
FIG. 7 is a top plan view thereof; and,
FIG. 8 is a perspective view thereof, the broken lines representing a human form are shown for illustrative purposes only.

[56] References Cited

U.S. PATENT DOCUMENTS

D. 105,833	8/1937	Berger	D21/131
D. 137,488	3/1944	Donahue	D21/131
D. 159,934	8/1950	Sewell	446/433
D. 182,661	4/1958	Horowitz	D21/131
2,258,531	10/1941	Baldwin	446/7
2,664,053	12/1953	Eckbreth	280/87.01



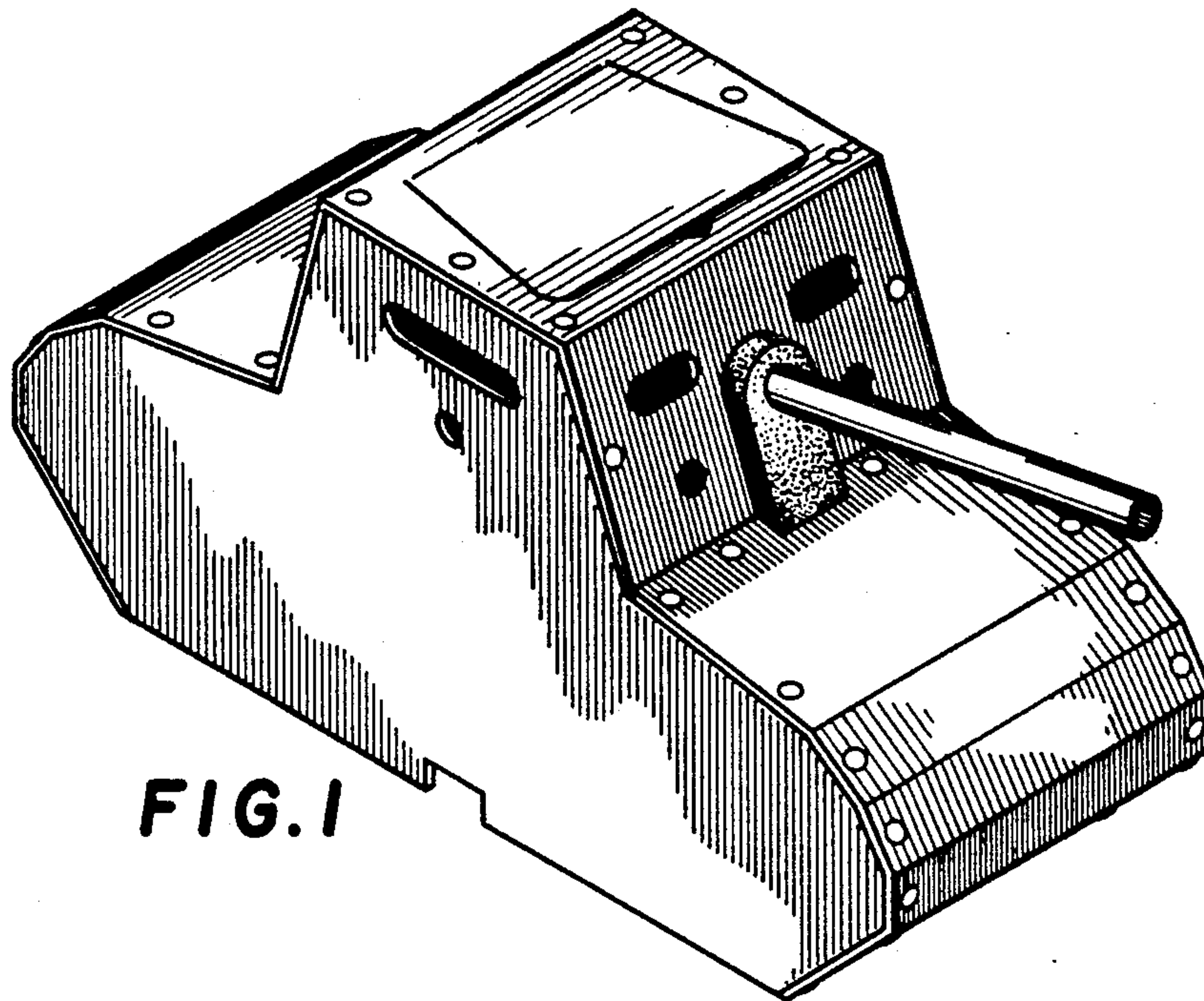


FIG. 1

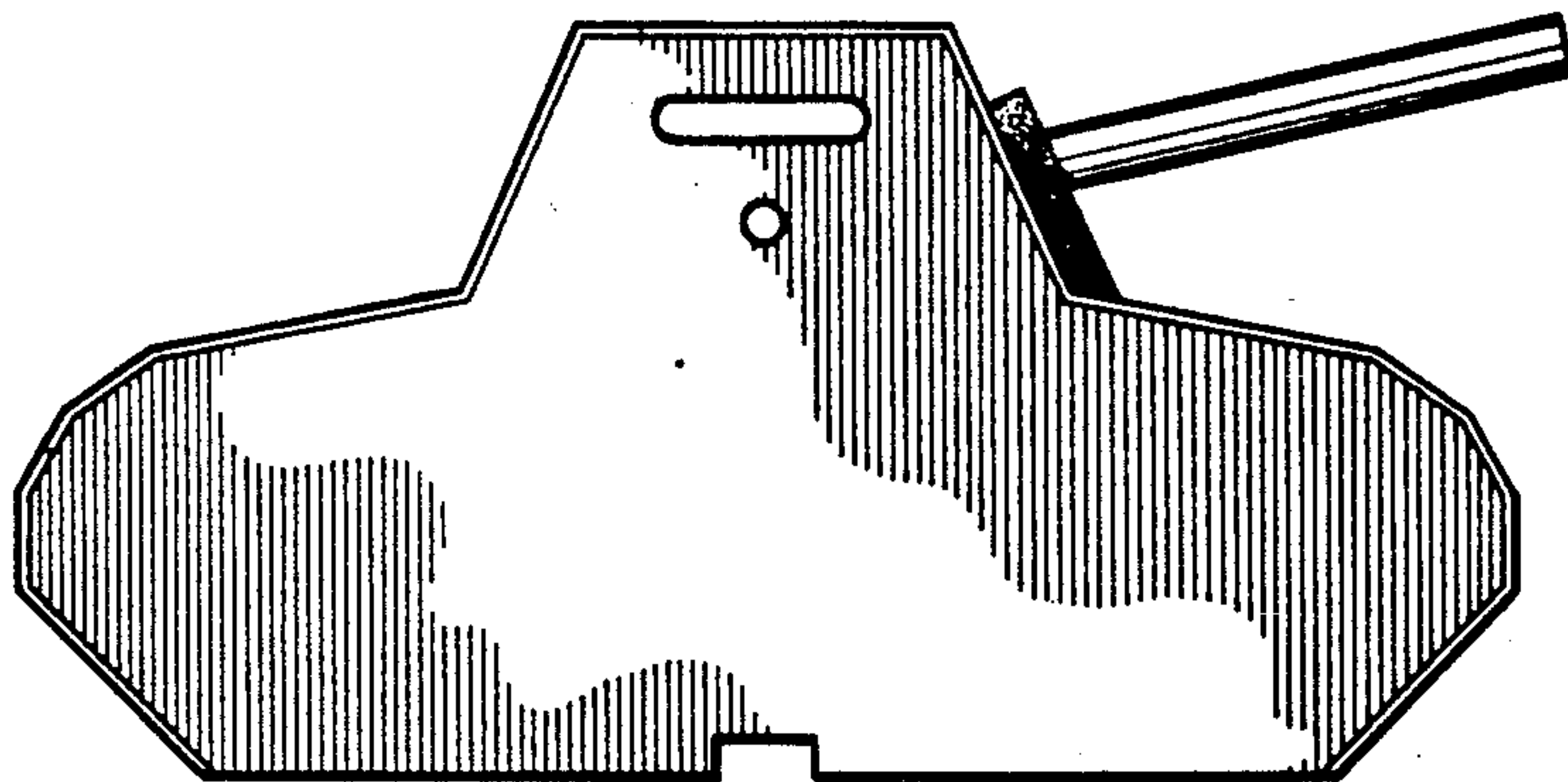


FIG. 2

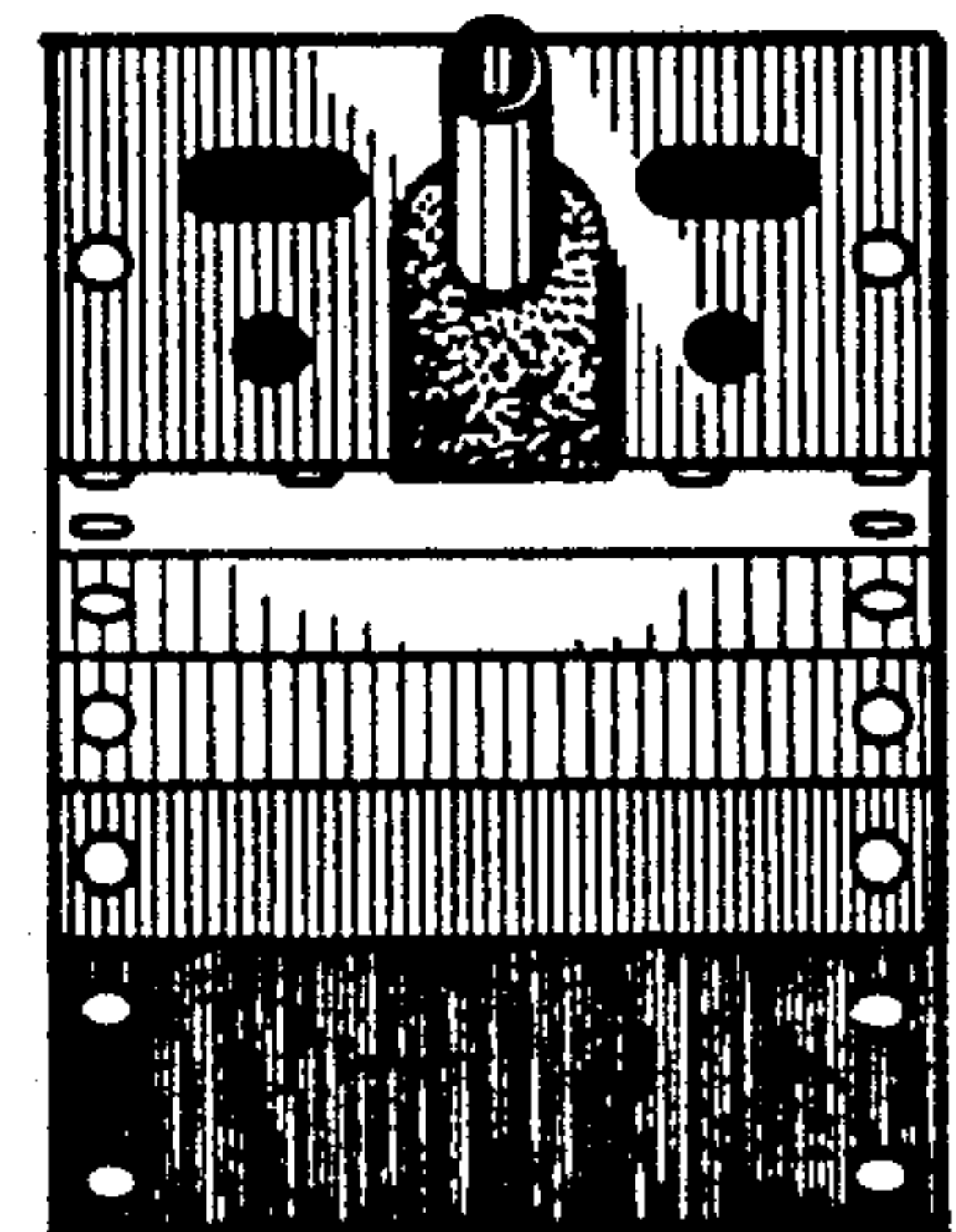


FIG. 3

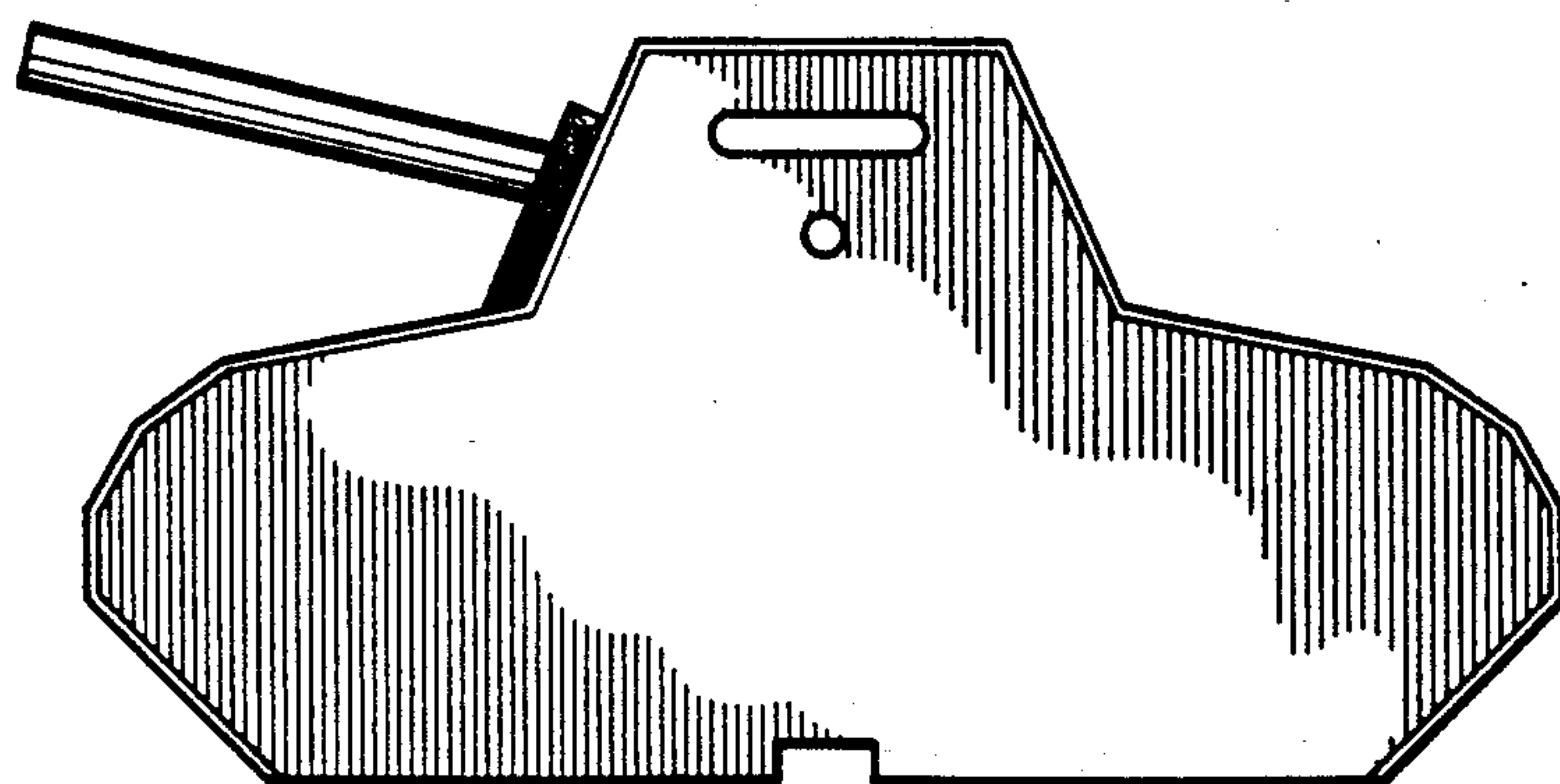


FIG. 4

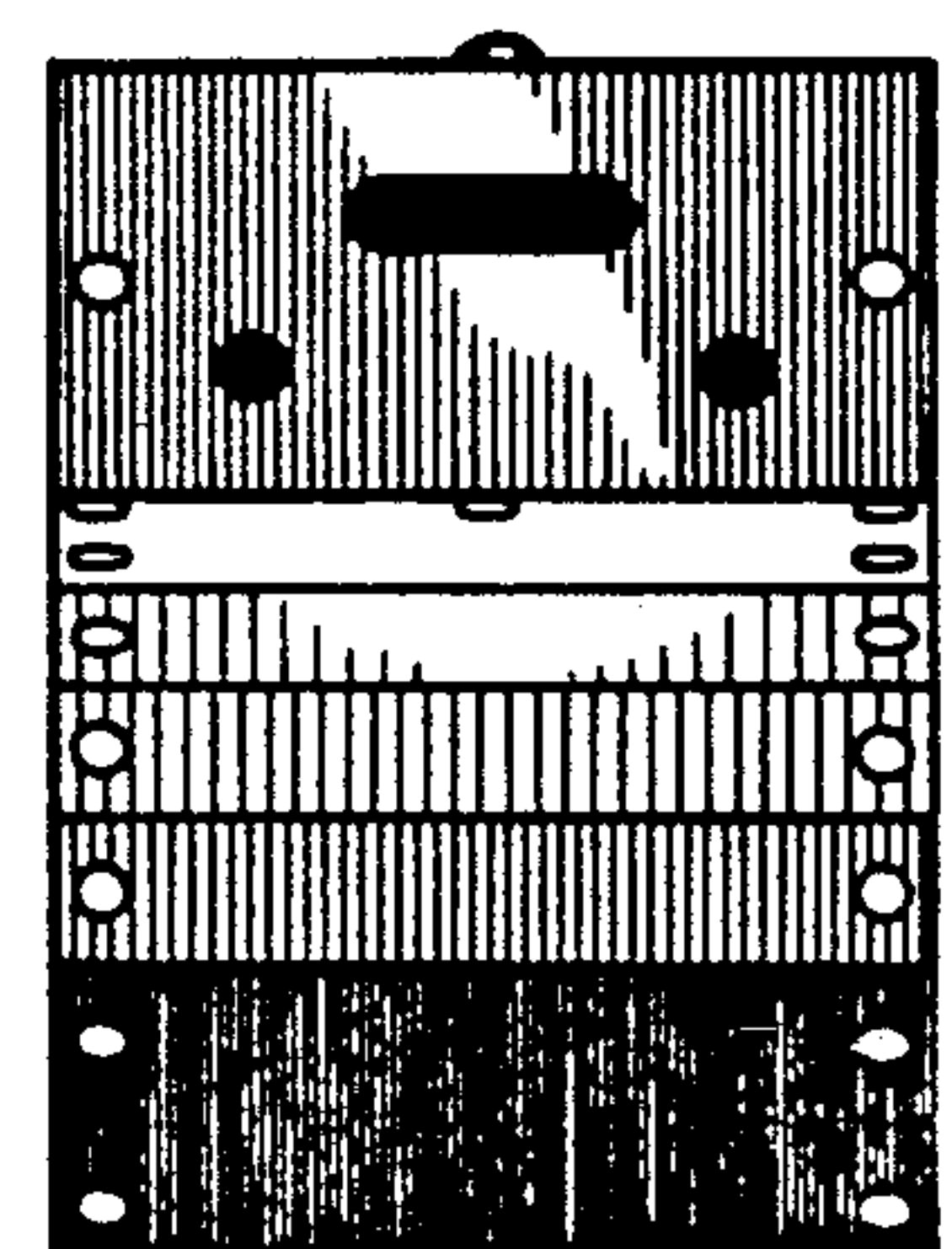


FIG. 5

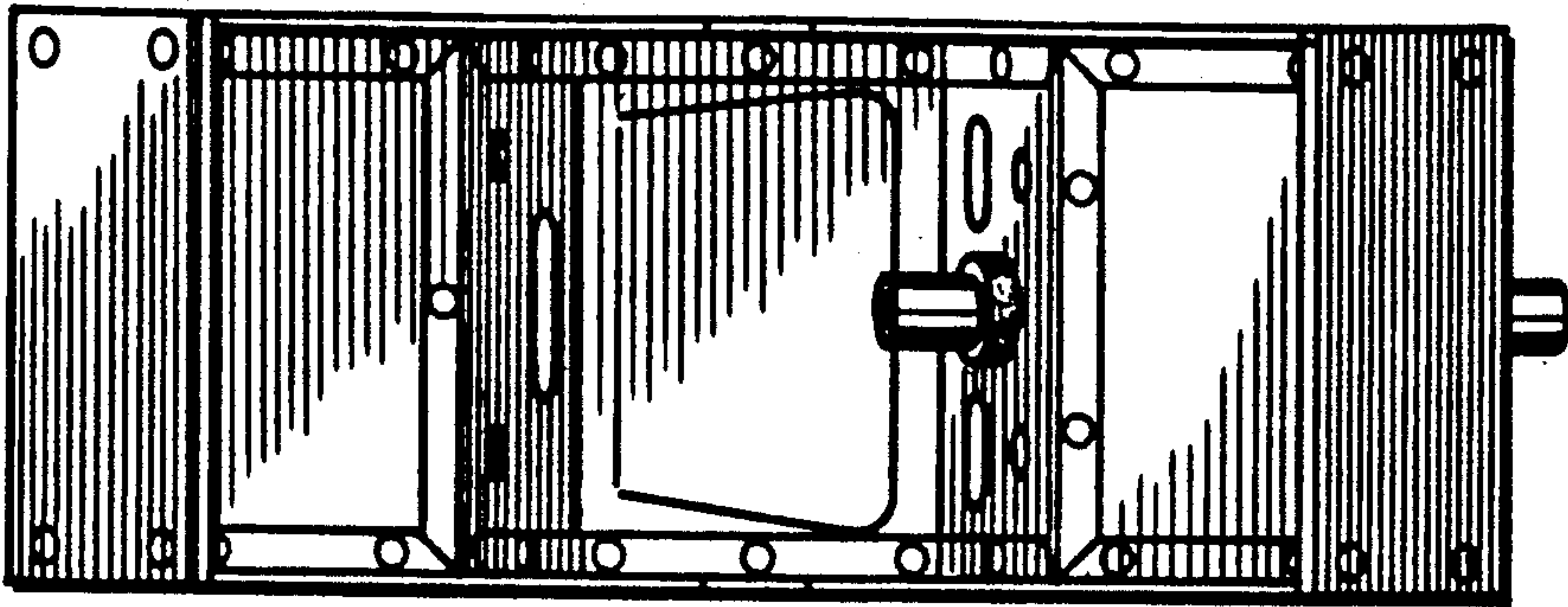


FIG. 6

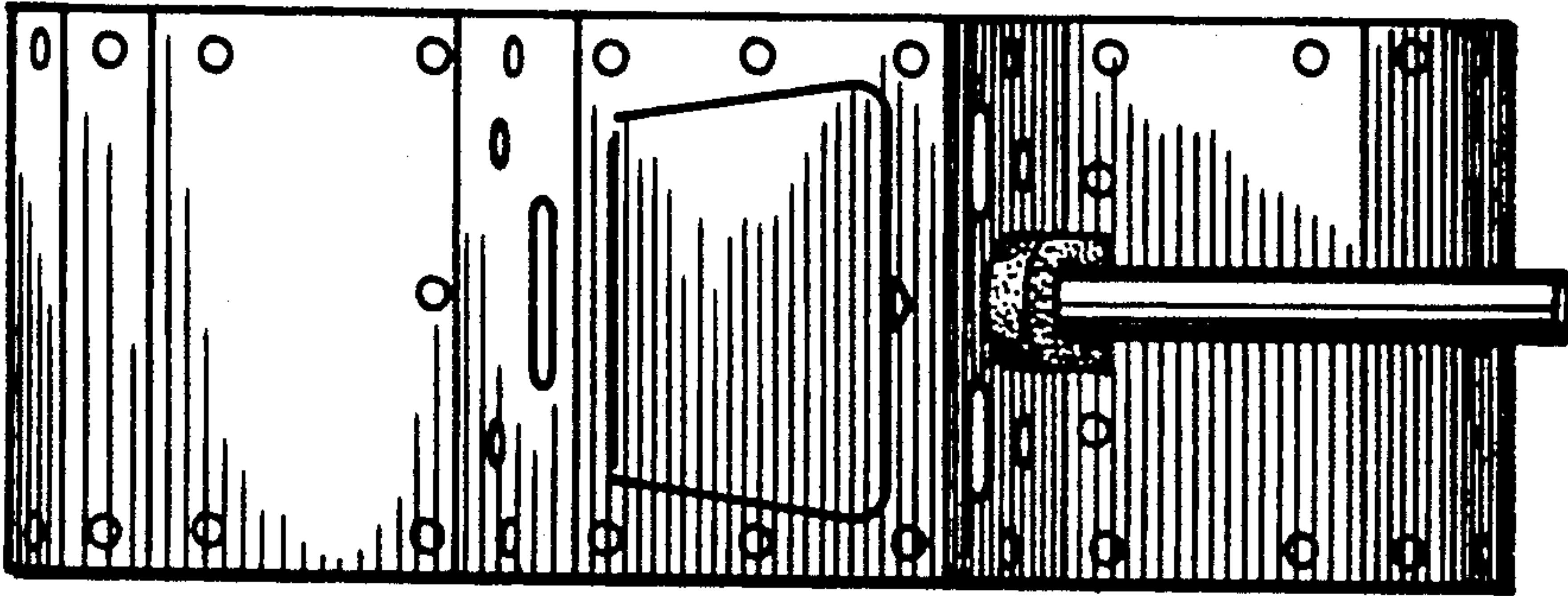


FIG. 7

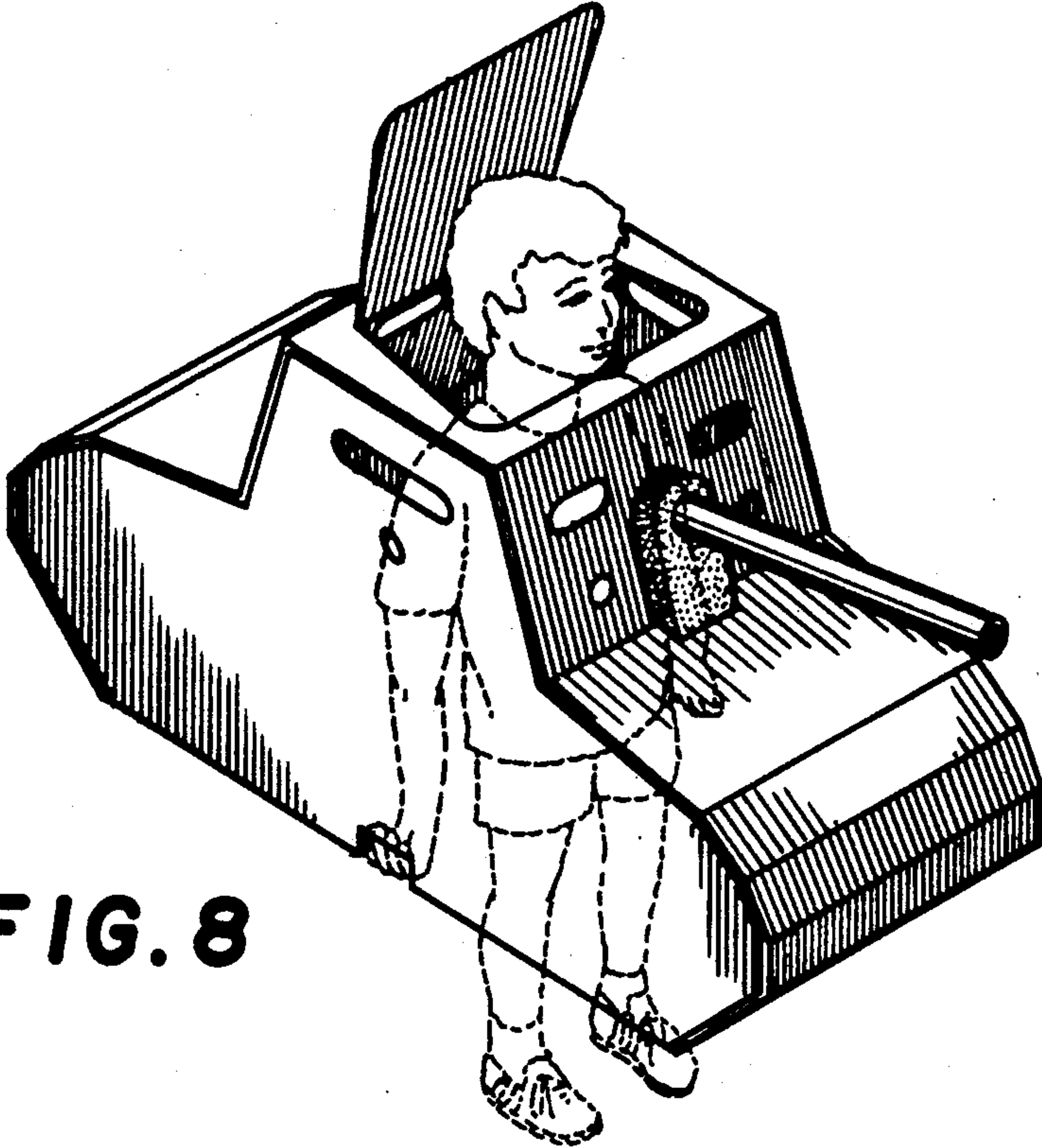


FIG. 8