



US00D338690S

United States Patent [19]

[11] Patent Number: **Des. 338,690**

Smith, III et al.

[45] Date of Patent: **** Aug. 24, 1993**

[54] VIDEO GUN

4,452,458 6/1984 Timander et al. 273/310
4,844,476 7/1989 Becker 273/434 X

[75] Inventors: **Jay Smith, III**, Los Angeles; **Spencer Mackay**, Agoura Hills, both of Calif.

OTHER PUBLICATIONS

[73] Assignee: **Smith Engineering**, Culver City, Calif.

Simulaser Corp., 1984, as shown.
American Rifleman, Apr. 1978, p. 67, Item #Ar-7 Explorer Scope Mount.
Vending Times, Apr. 1977, p. 48, shown by arrow.

[**] Term: **14 Years**

[21] Appl. No.: **890,461**

[22] Filed: **May 26, 1992**

[52] U.S. Cl. **D21/13; D21/146**

[58] Field of Search **D21/13.5, 145, 146, D21/147, 240; 273/310, 313, 311, 316, 148 B, 433-438, DIG. 28; 434/16, 19, 20, 21**

Primary Examiner—Bernard Ansher
Assistant Examiner—Prabhakar Deshmukh
Attorney, Agent, or Firm—Price, Gess & Ubell

[57] CLAIM

The ornamental design for a video gun, as shown and described.

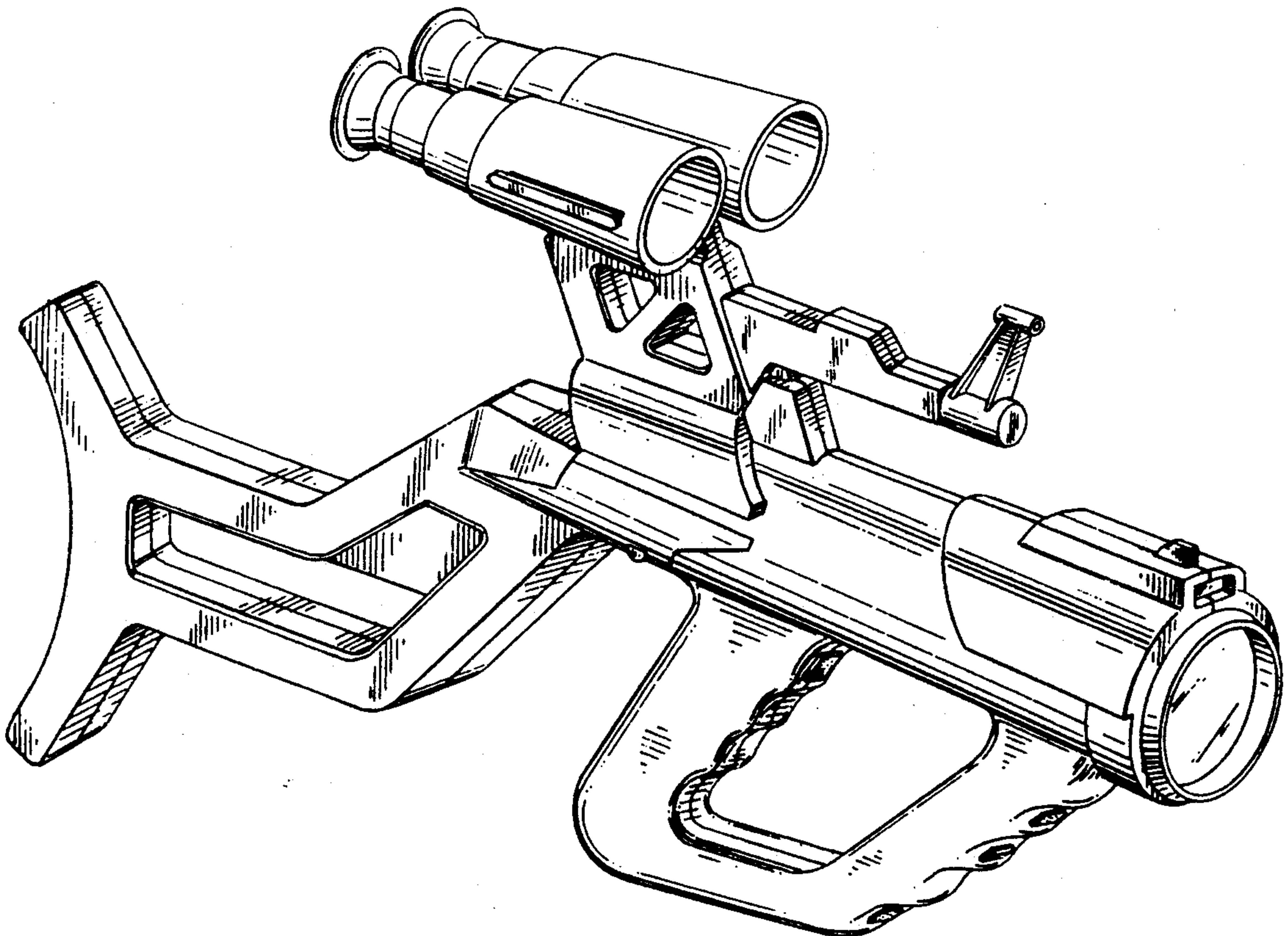
[56] References Cited

U.S. PATENT DOCUMENTS

D. 206,669	1/1967	Hirsch	D21/146
D. 286,308	10/1986	Mayer et al.	D21/146
D. 316,123	4/1991	Shiung-Fei	D21/146
D. 318,309	7/1991	D'Andrade	D21/147
D. 330,050	10/1992	Sato et al.	D21/240 X
2,269,410	1/1942	New	273/316
3,842,396	11/1974	Ashford	434/16
4,175,748	11/1979	Yokoi	273/310

DESCRIPTION

FIG. 1 is a perspective view of a video gun showing my new design;
FIG. 2 is a top plan view thereof;
FIG. 3 is a bottom plan view thereof;
FIG. 4 is a front elevational view thereof;
FIG. 5 is a rear elevational view thereof;
FIG. 6 is a right side elevational view thereof; and,
FIG. 7 is a left side elevational view thereof.



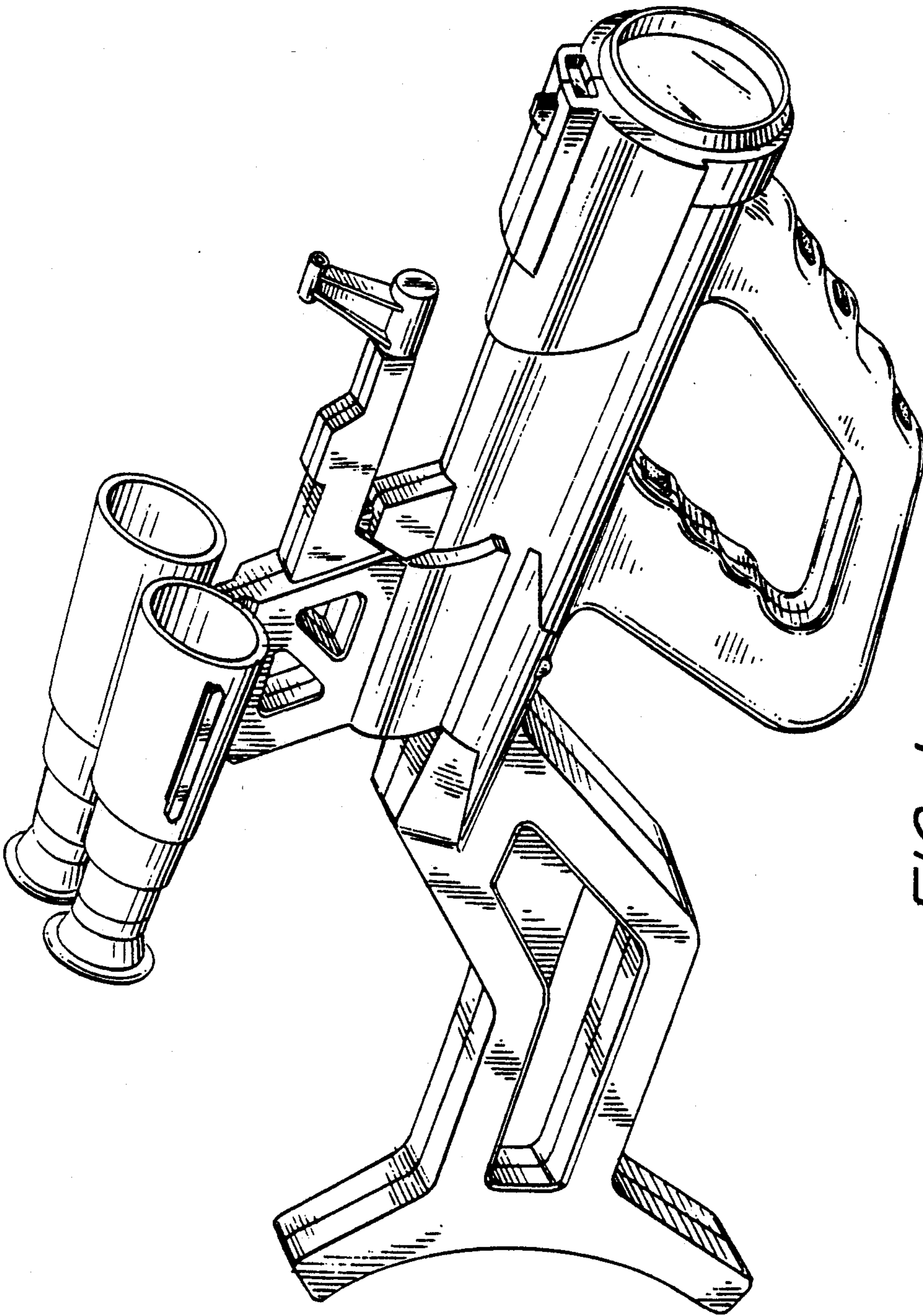


FIG. 1

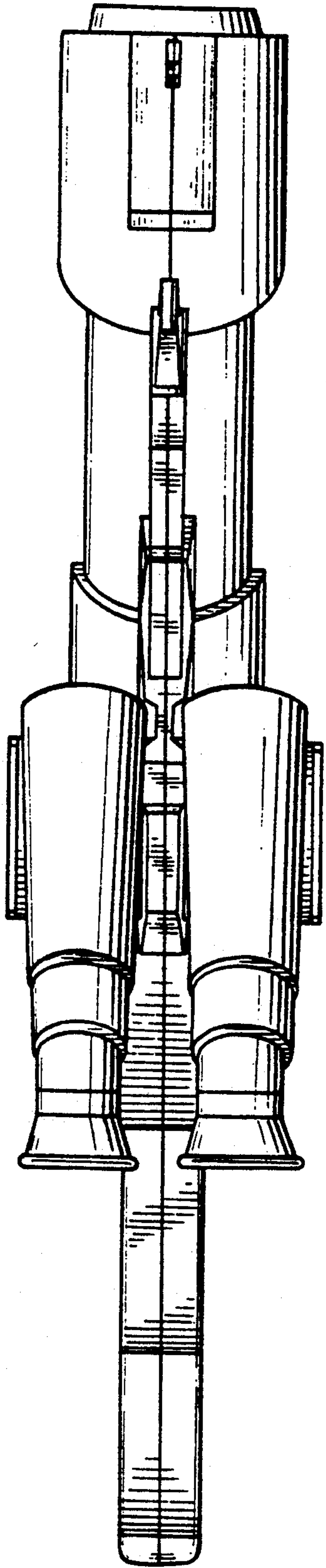


FIG. 2

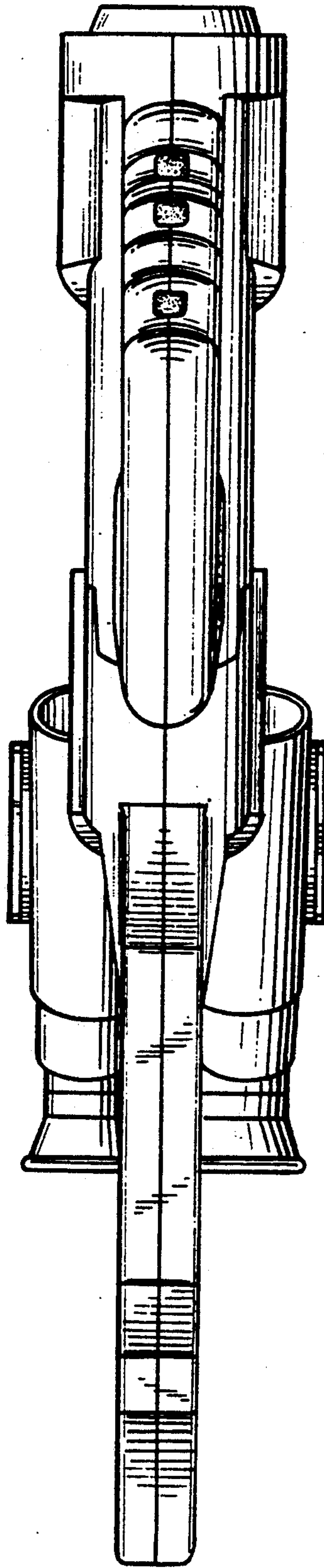


FIG. 3

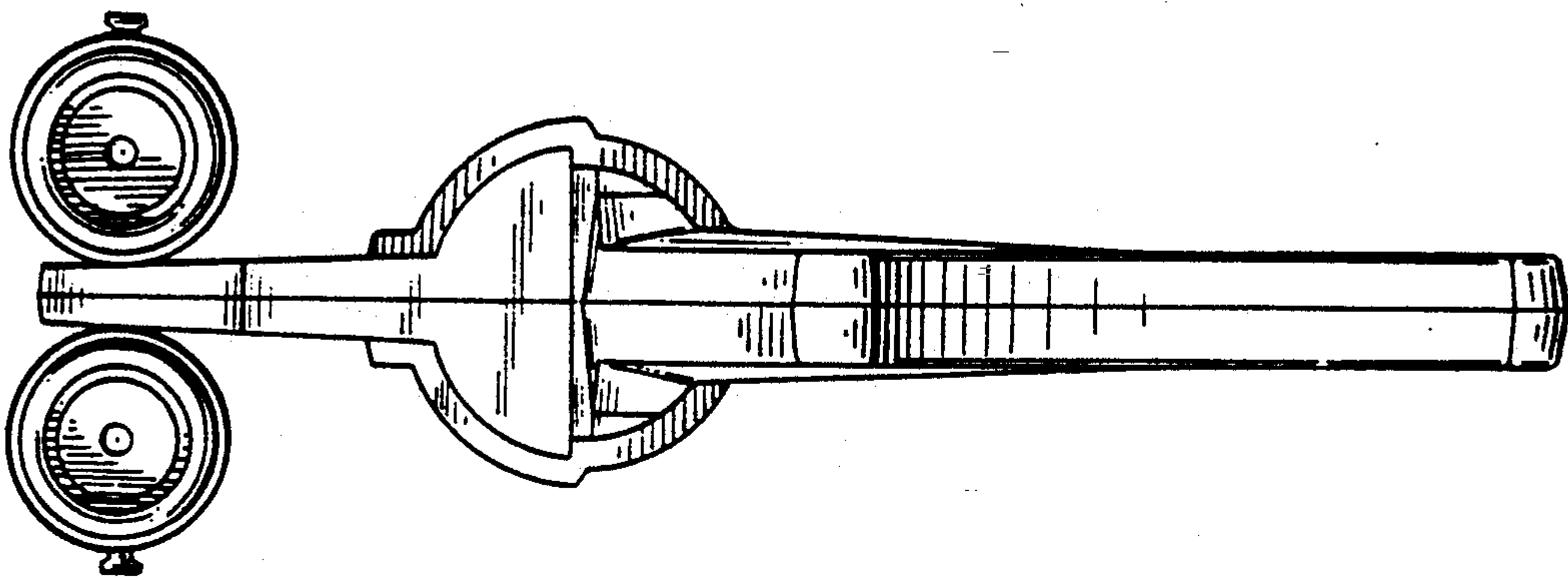


FIG. 5

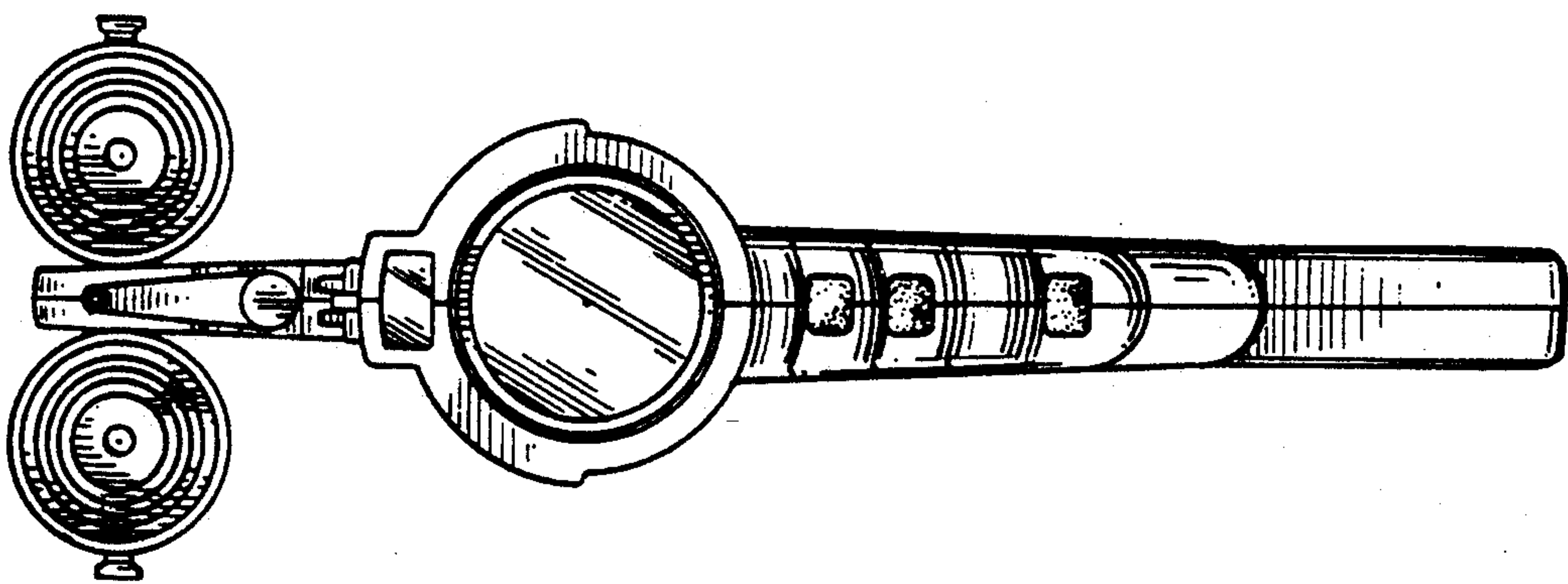


FIG. 4

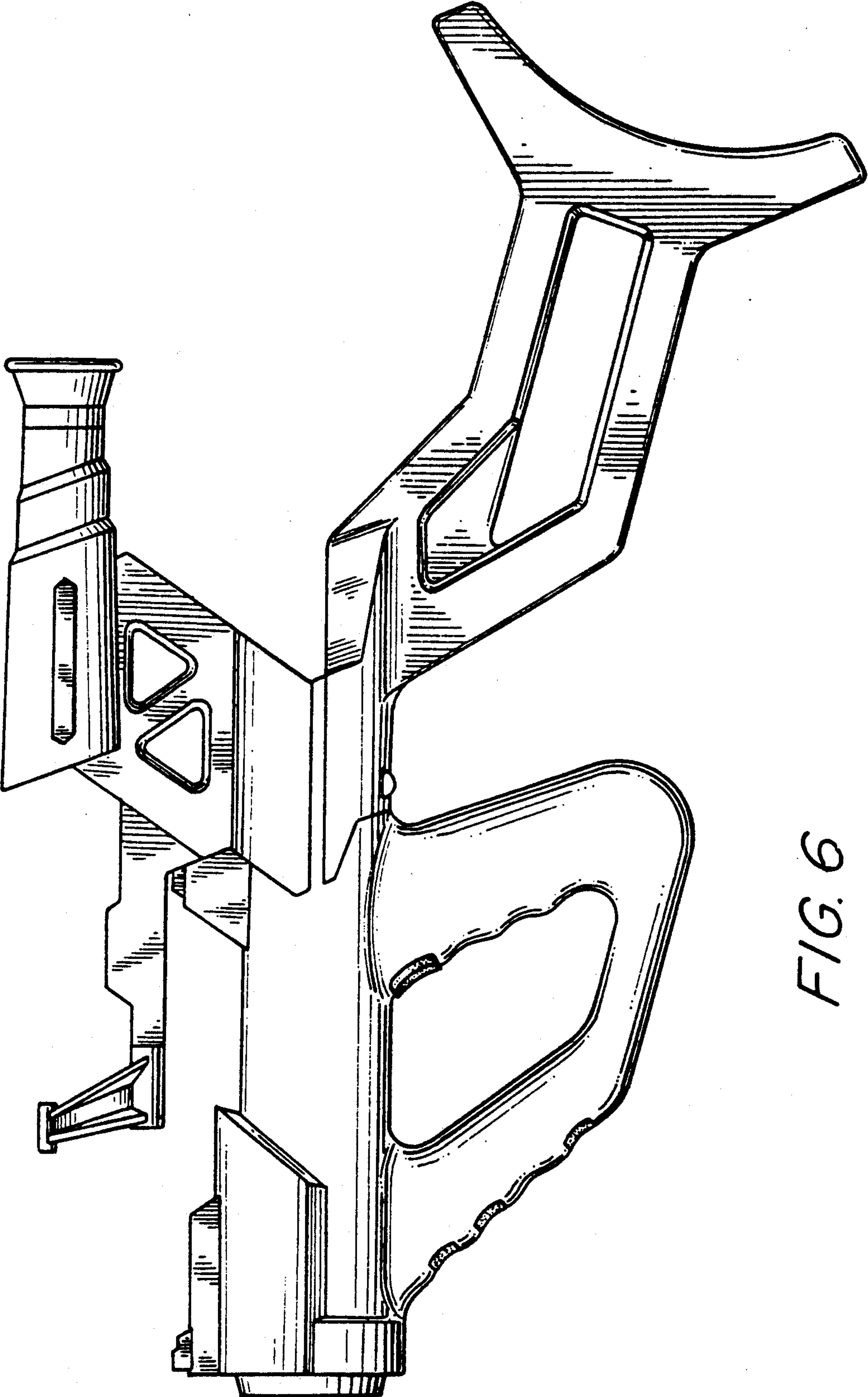


FIG. 6

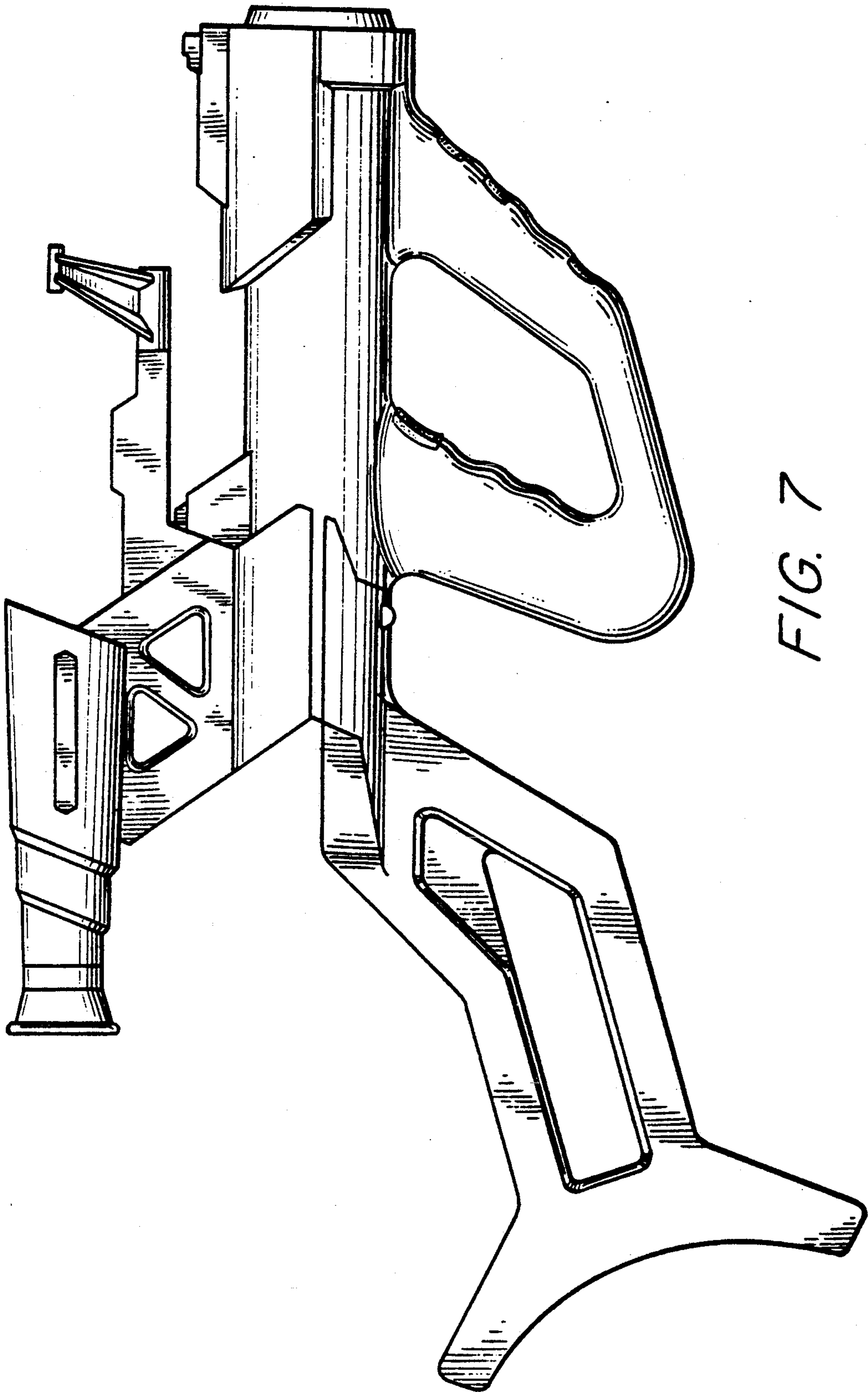


FIG. 7