



US00D338689S

# United States Patent [19]

[11] Patent Number: **Des. 338,689**

**Rosenthal**

[45] Date of Patent: **\*\* Aug. 24, 1993**

- [54] **DISPLAY BAR FOR A DISPLAY RACK**
- [75] Inventor: **Gunter Rosenthal, St-Benoit, Canada**
- [73] Assignee: **G. Rosenthal Import Ltd., Montreal, Canada**
- [\*\*] Term: **14 Years**
- [21] Appl. No.: **820,956**
- [22] Filed: **Jan. 15, 1992**
- [52] U.S. Cl. .... **D20/43**
- [58] Field of Search ..... **D20/10, 40, 42, 43, D20/44, 99; 40/1, 641, 642, 643, 644, 649; 248/227, 228, 229, 230, 231, 231.1, 235**

- D. 305,911 2/1990 Barlando ..... D20/44
- D. 306,878 3/1990 Crowley ..... D20/43
- 3,469,813 9/1969 Rizzi ..... 40/649

*Primary Examiner*—Wallace R. Burke  
*Assistant Examiner*—Marcus Jackson  
*Attorney, Agent, or Firm*—Samuel Meerkreebs

### [57] CLAIM

The ornamental design for a display bar for a display rack, as shown and described.

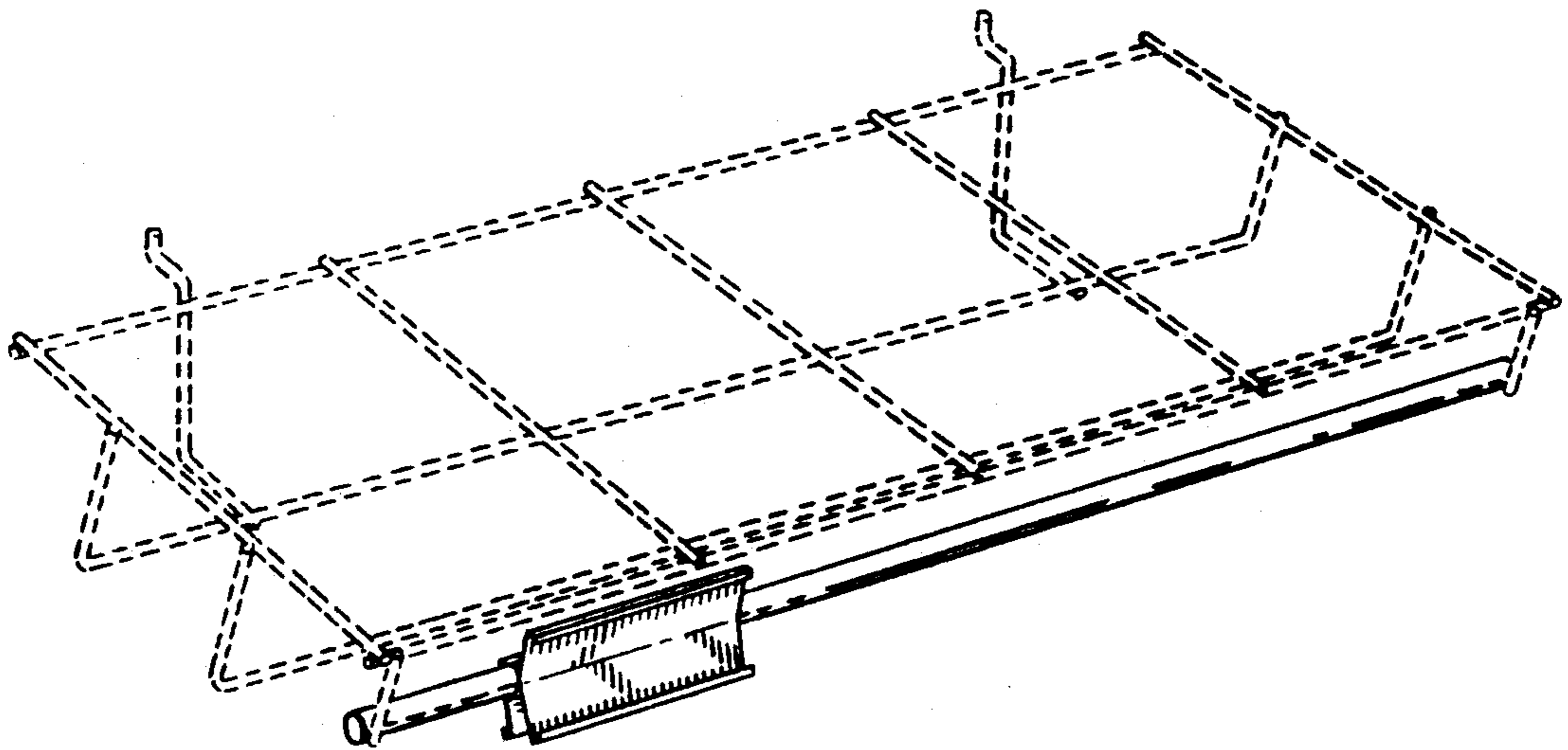
### DESCRIPTION

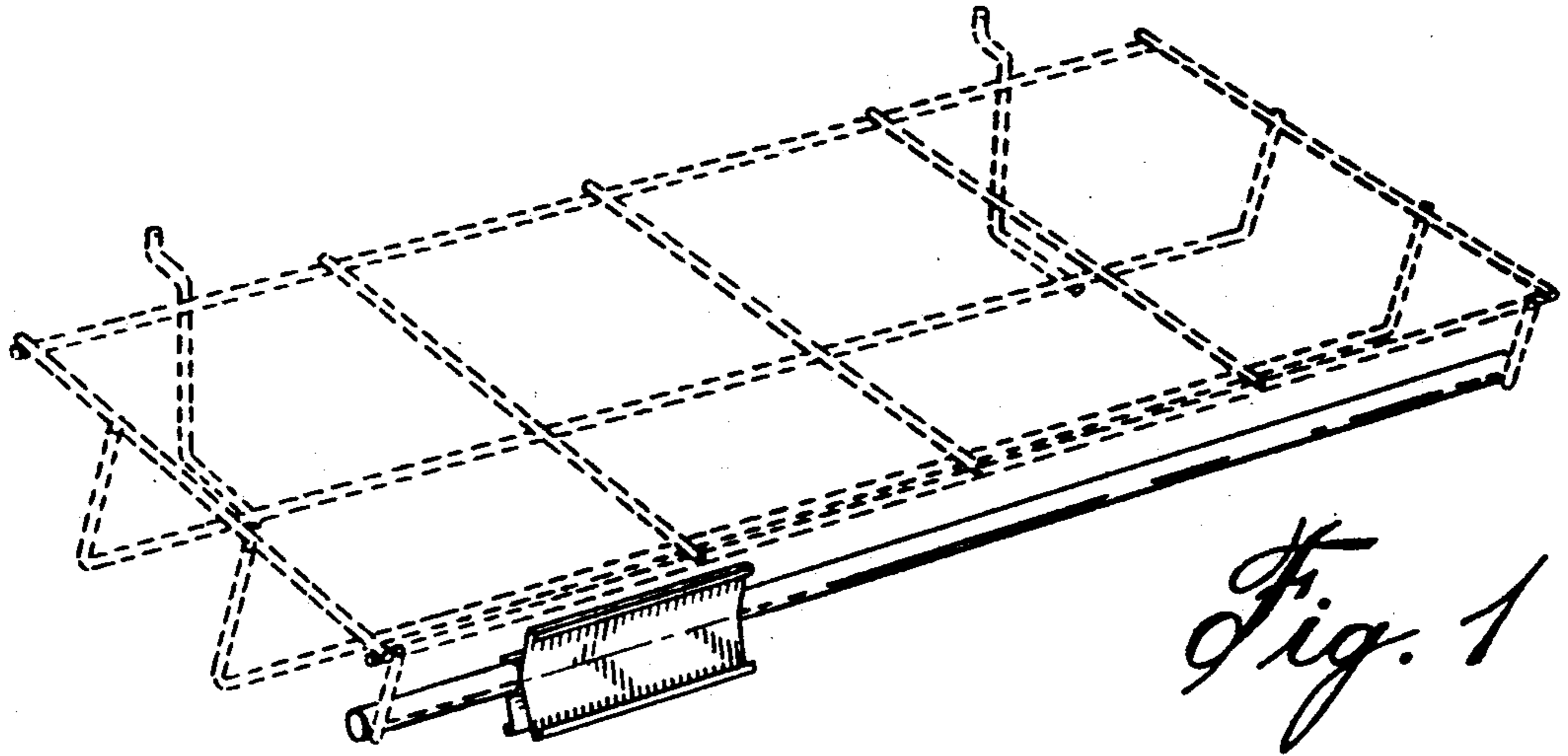
FIG. 1 is a perspective view of a display bar for a display rack showing my new design, with the broken line showing for illustrative purposes only and forming no part of the claimed design;  
 FIG. 2 is a top plan view thereof;  
 FIG. 3 is an end elevation thereof, the other end being identical;  
 FIG. 4 is a front elevation thereof;  
 FIG. 5 is a rear elevation thereof;  
 FIG. 6 is a bottom plan view; and,  
 FIG. 7 is a vertical cross-section taken along line 7—7 of FIG. 2;

### [56] References Cited

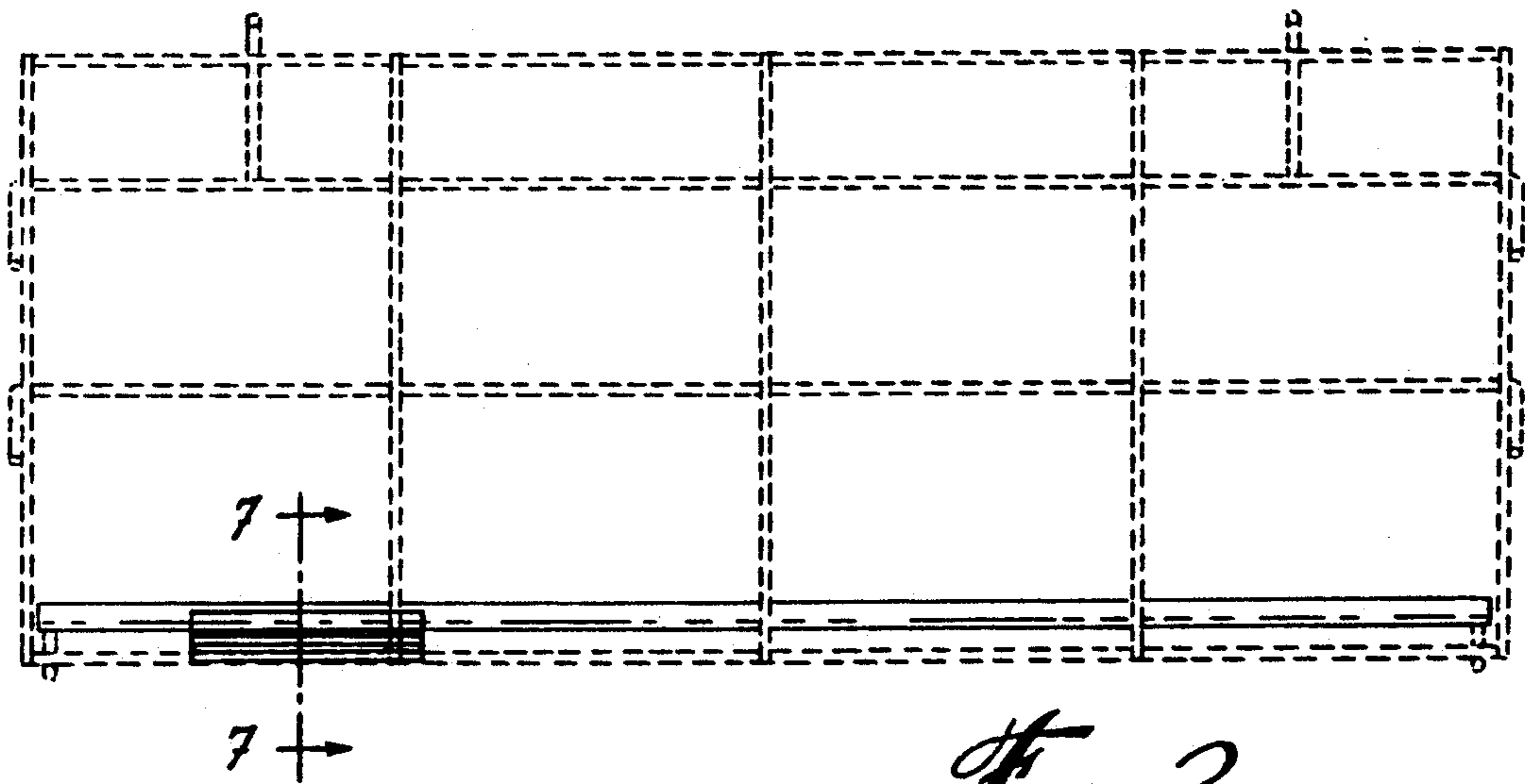
#### U.S. PATENT DOCUMENTS

- D. 150,466 8/1948 Schuler ..... D20/44
- D. 190,361 5/1961 Hopp ..... D20/44
- D. 273,596 4/1984 Waldecrantz ..... D20/44
- D. 289,780 5/1987 Kenney ..... D20/44
- D. 291,097 7/1987 Dalbey et al. .... D20/44
- D. 295,195 4/1988 Stoddard ..... D20/44

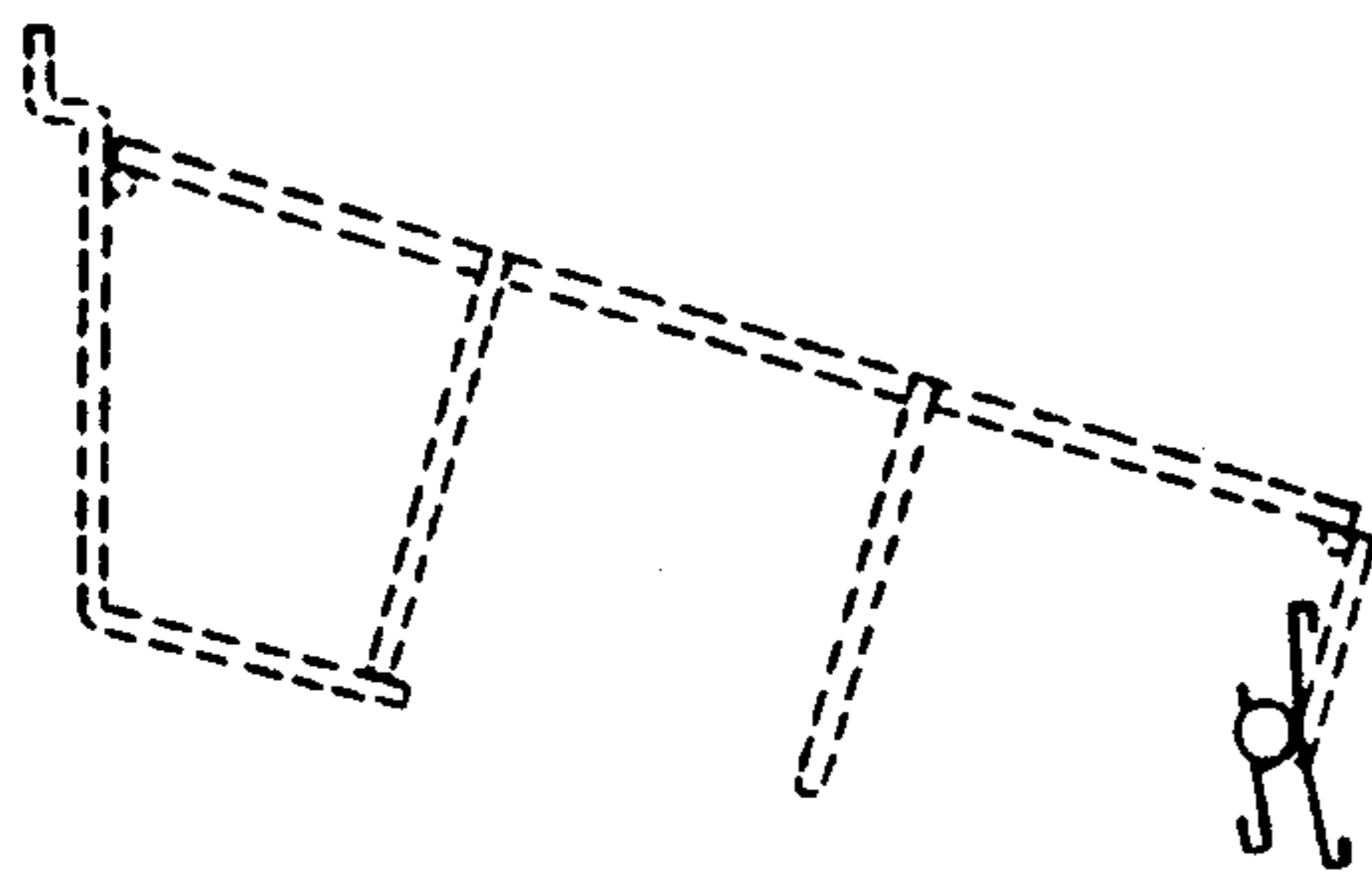




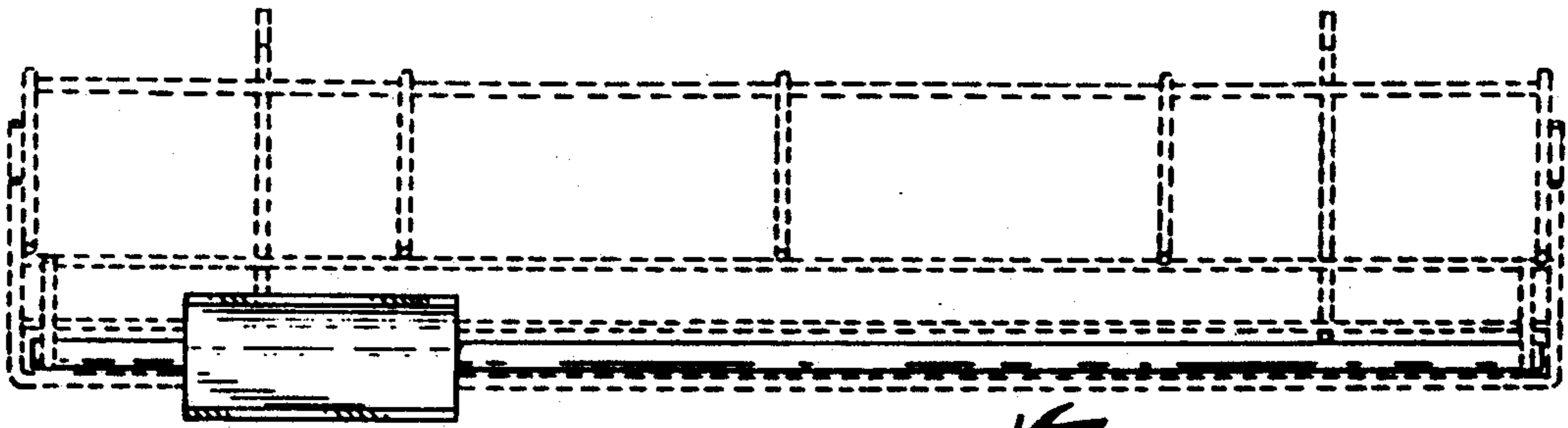
*Fig. 1*



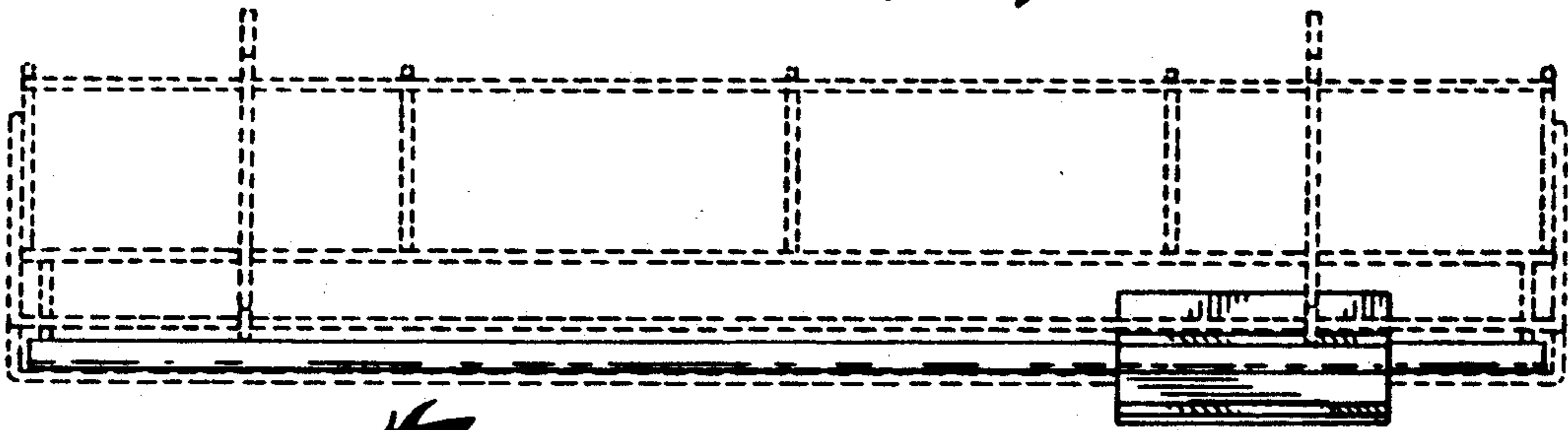
*Fig. 2*



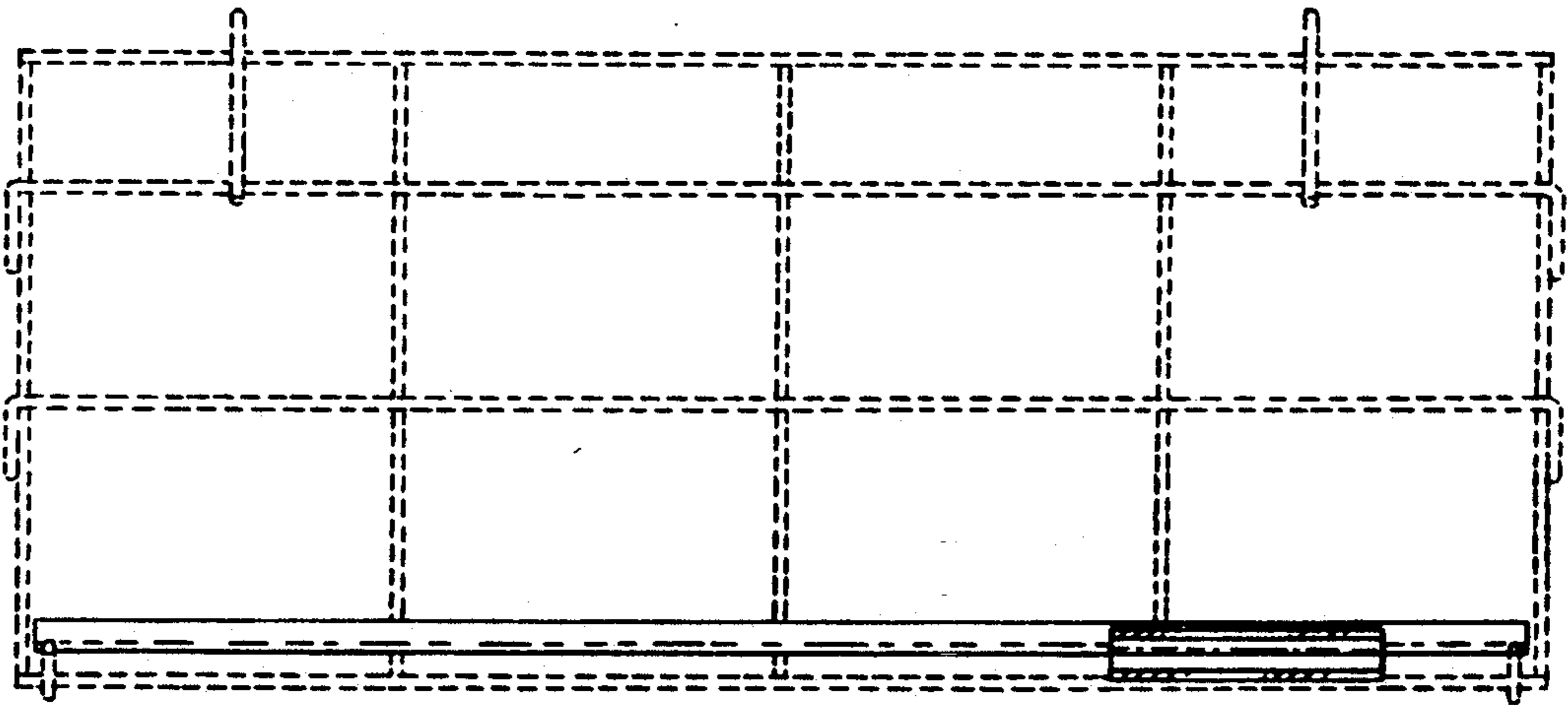
*Fig. 3*



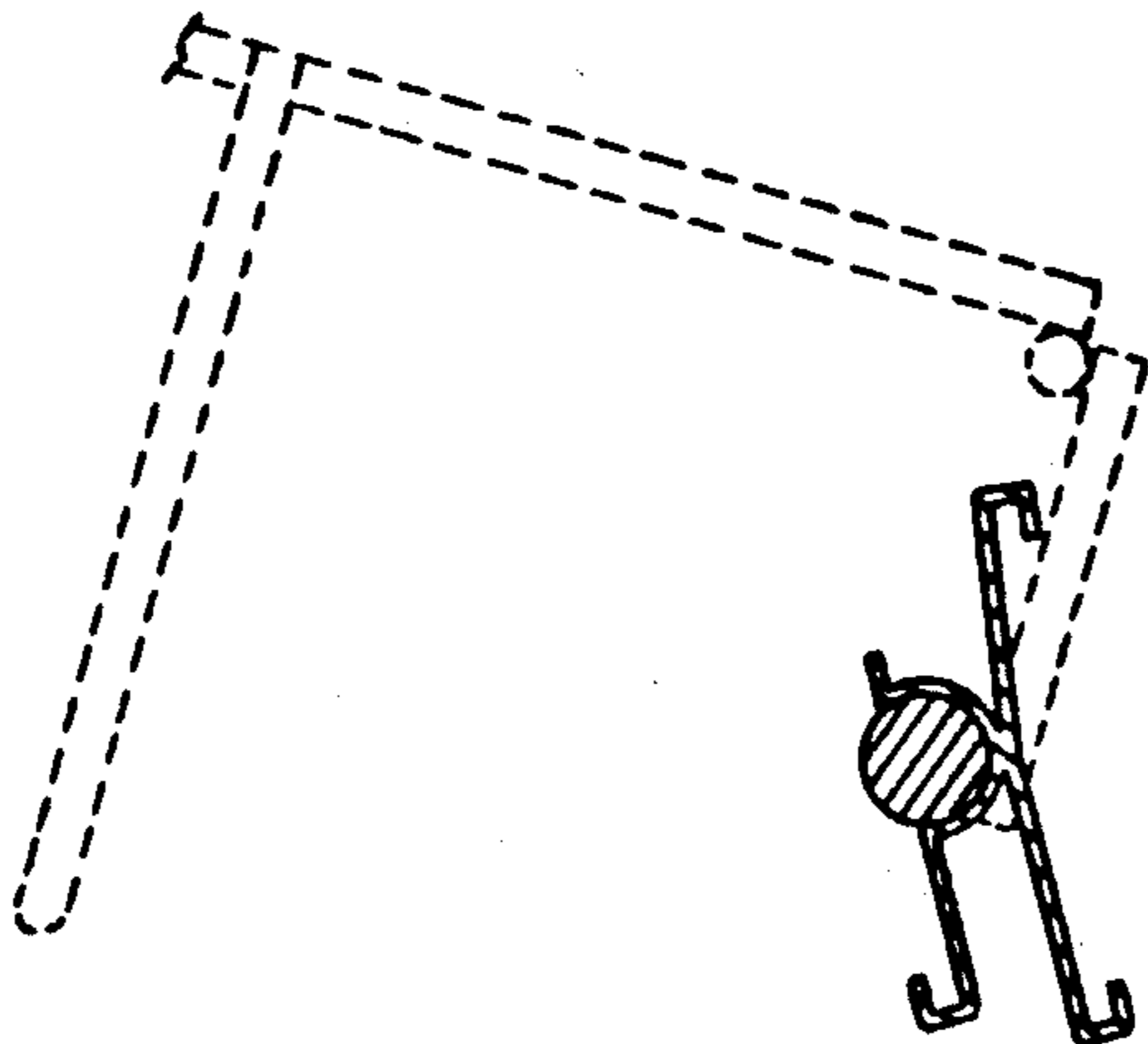
*Fig. 4*



*Fig. 5*



*Fig. 6*



*Fig. 7*