



US00D338687S

United States Patent [19] Mellor

[11] Patent Number: **Des. 338,687**
[45] Date of Patent: **** Aug. 24, 1993**

[54] **DISPLAY UNIT**

4,866,868 9/1989 Kass .
5,018,287 5/1991 Fast 40/649 X

[75] Inventor: **Simon J. Mellor, London, England**

FOREIGN PATENT DOCUMENTS

[73] Assignee: **Clares-Regisbrook Systems Limited, Somerset, England**

WO8806773 9/1988 PCT Int'l Appl. .
2197564 5/1988 United Kingdom .
2231994 11/1990 United Kingdom .

[**] Term: **14 Years**

OTHER PUBLICATIONS

[21] Appl. No.: **857,387**

International Search Report, May 27, 1988; International Application No. PCT/GB 88/00114 (2 pages).

[22] Filed: **Mar. 25, 1992**

[30] Foreign Application Priority Data

Sep. 27, 1991 [GB] United Kingdom 2017783

[52] U.S. Cl. **D20/10**

[58] Field of Search **D6/396, 449; D14/113; D20/10, 21, 40, 41, 99; 340/825.35, 825.34; 40/1, 124.1, 584, 661, 649, 618, 156, 158.1**

Primary Examiner—Alan P. Douglas
Assistant Examiner—Jeffrey Asch
Attorney, Agent, or Firm—St. Onge Steward Johnston & Reens

[57] CLAIM

The ornamental design for a display unit, as shown and described.

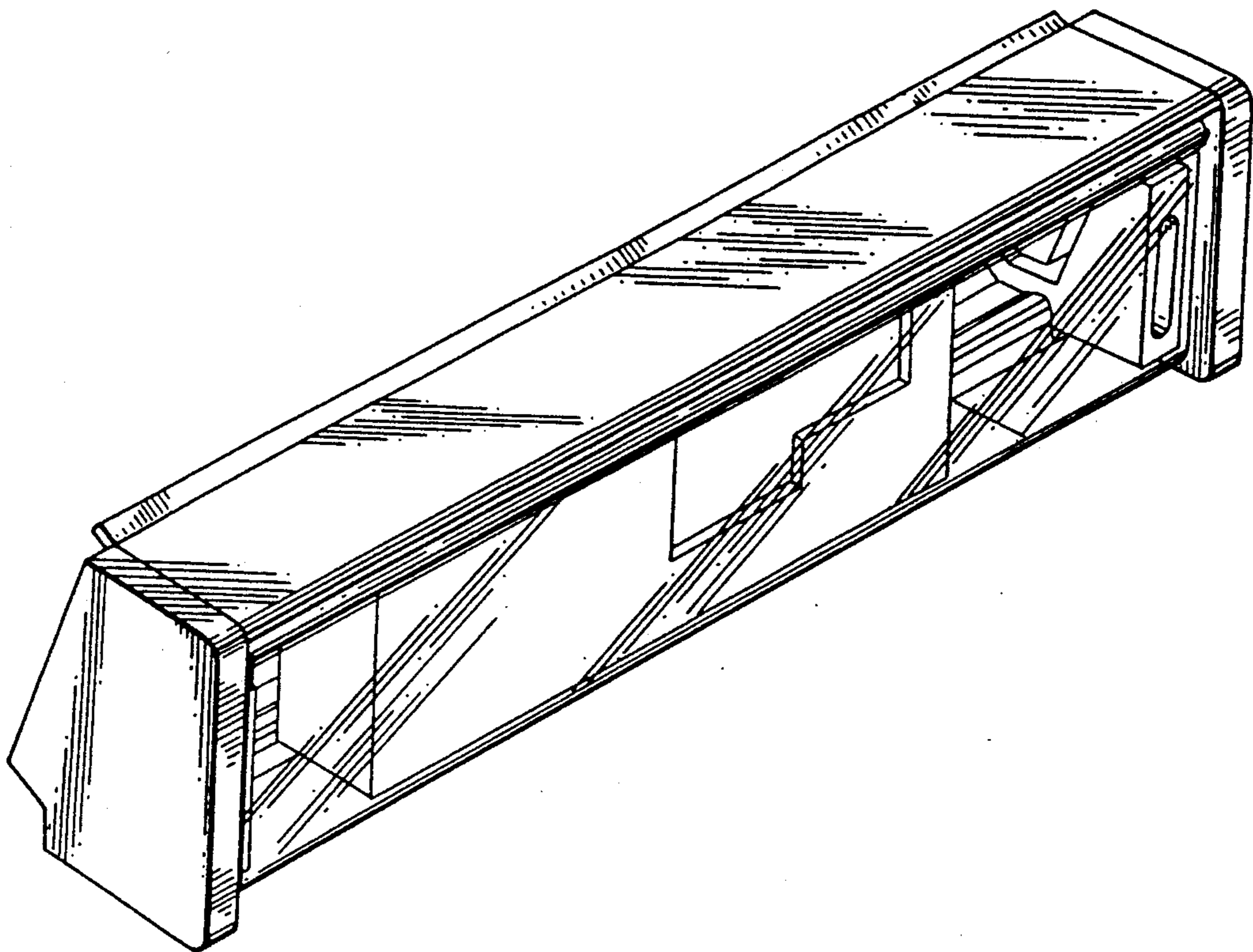
[56] References Cited

U.S. PATENT DOCUMENTS

- D. 274,728 7/1984 Shibata D14/113
- D. 302,704 8/1989 Krautsack D20/43
- D 306,026 2/1990 Boykin D14/113 X
- D. 307,768 5/1990 Levin D20/10X
- D. 308,399 6/1990 Mori D20/10
- D. 314,714 2/1991 Wixey et al. D14/113 X
- D. 317,418 6/1991 Davis et al. D20/10 X
- D. 320,815 10/1991 Frost D20/10 X
- D. 326,282 5/1992 Spoljaric D20/10
- D. 331,472 12/1992 Campbell D20/10 X
- 2,527,900 10/1950 Warmath .
- 4,500,880 2/1985 Gomersall et al. .

DESCRIPTION

FIG. 1 is a front perspective view from above and one end of the display unit showing my new design; FIG. 2 is a front view of the display unit with the cover shown broken away for convenience of illustration; FIG. 3 is a rear perspective view from below and other end thereof; FIG. 4 is an end view thereof; FIG. 5 is a perspective view of the display unit in alternate position; and, FIG. 6 is a perspective view of the display unit with parts separated.



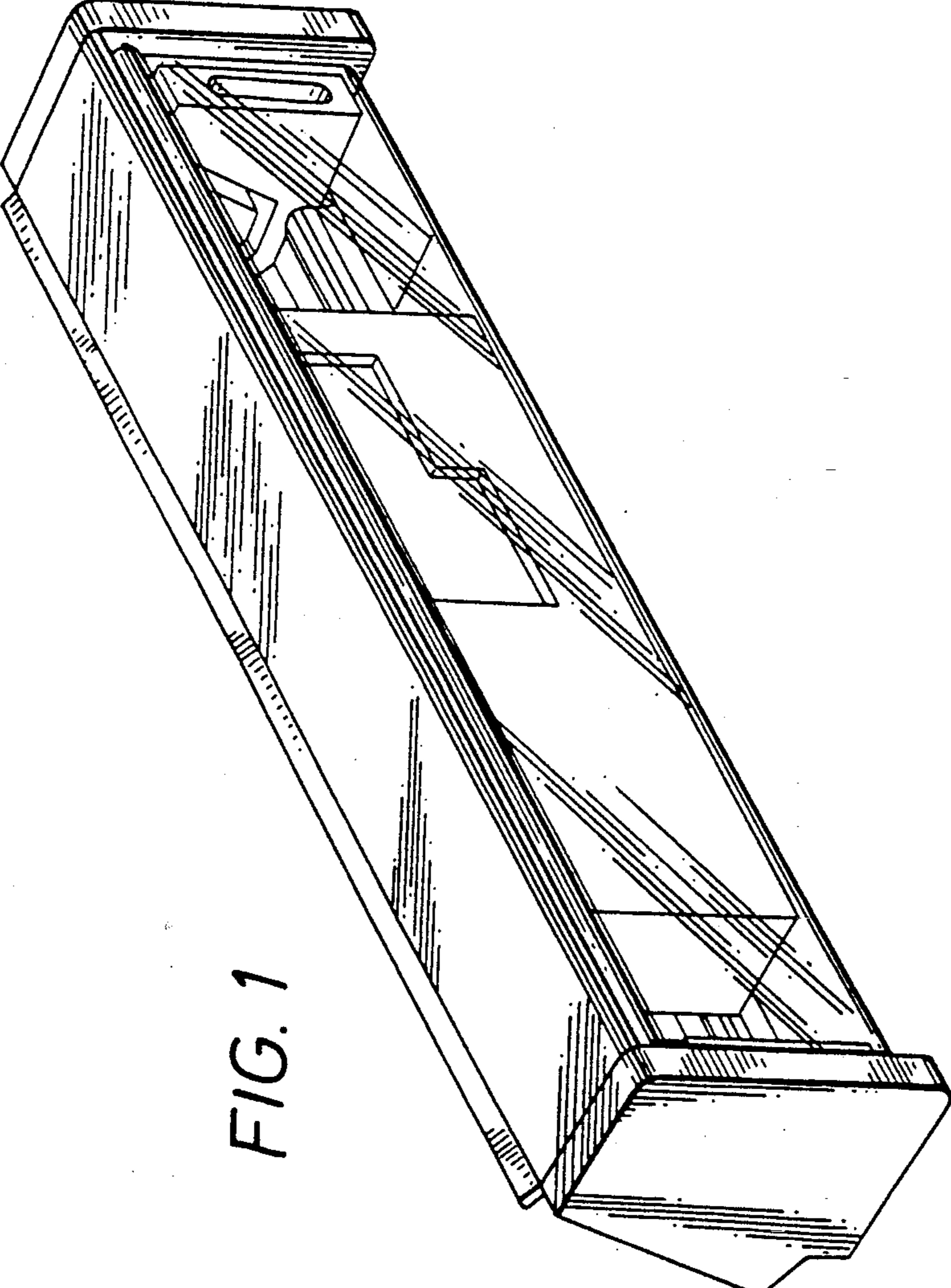


FIG. 1

FIG. 2

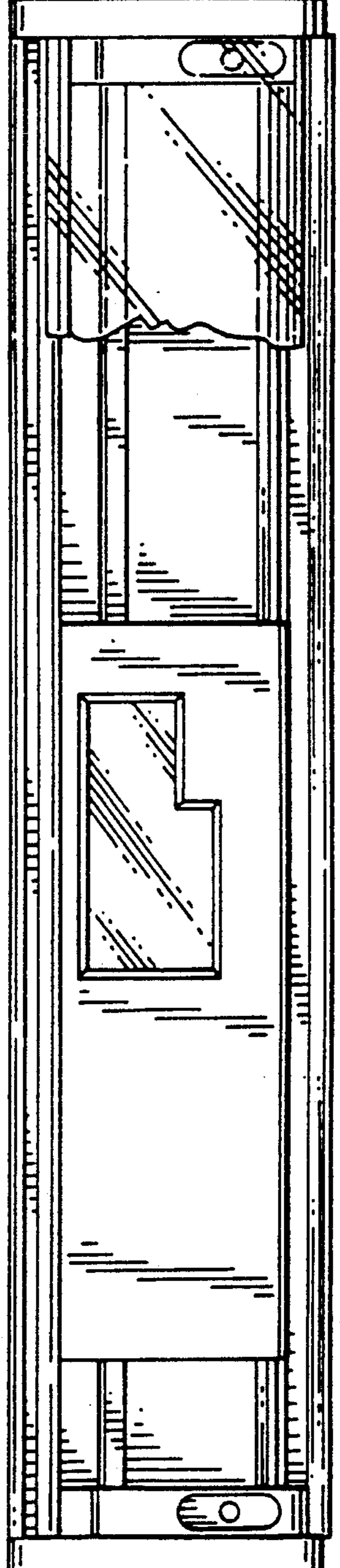


FIG. 3

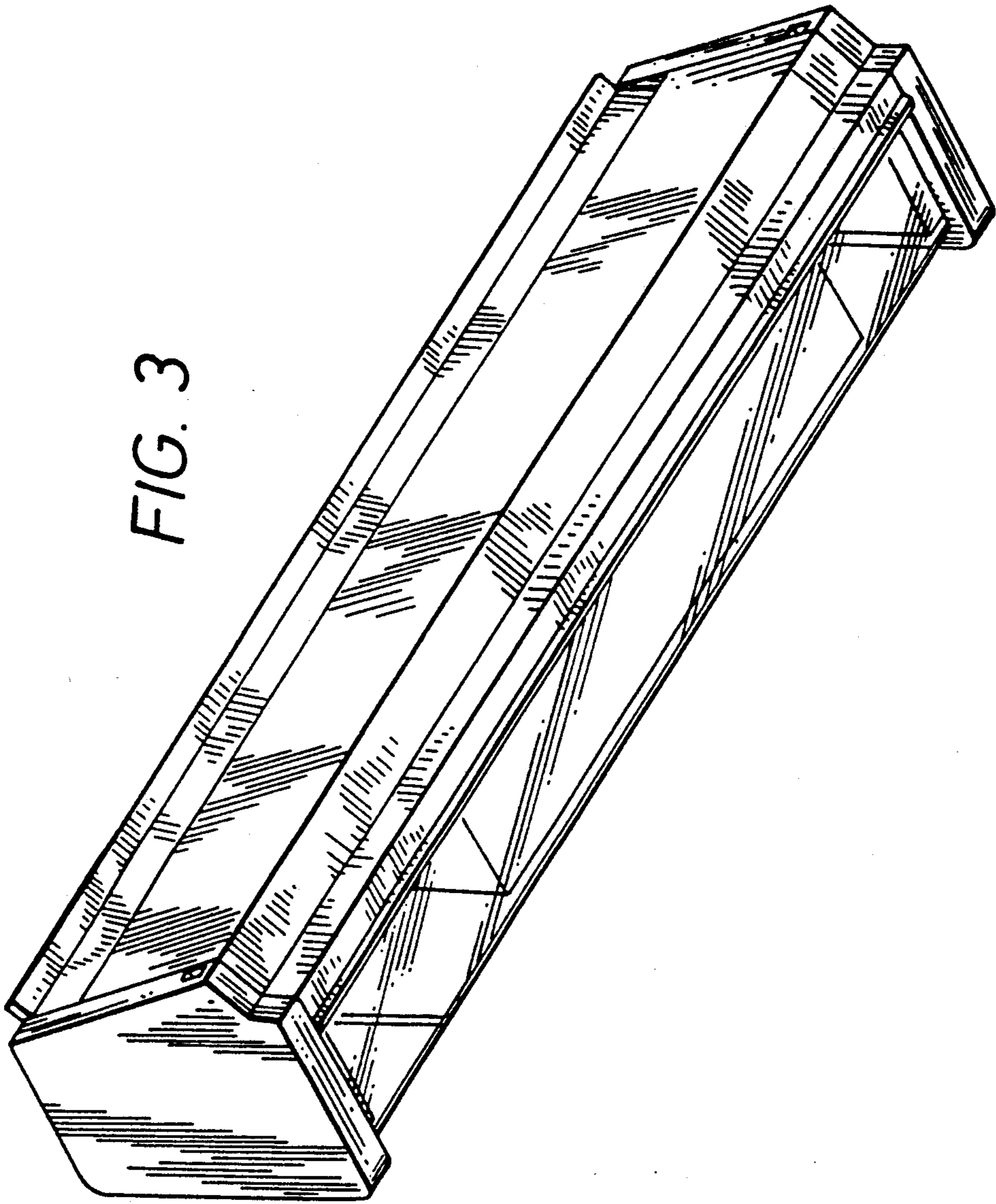


FIG. 4

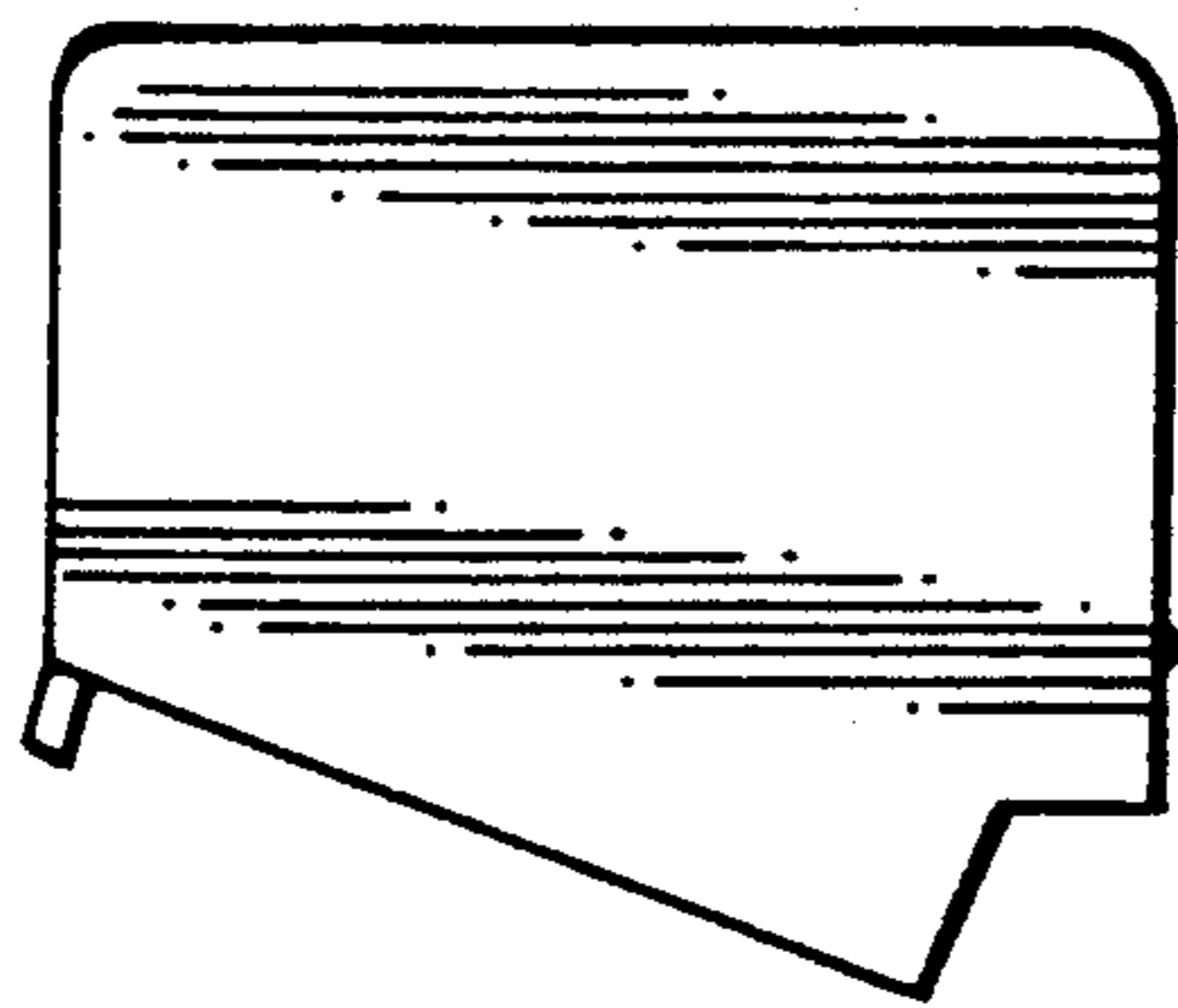
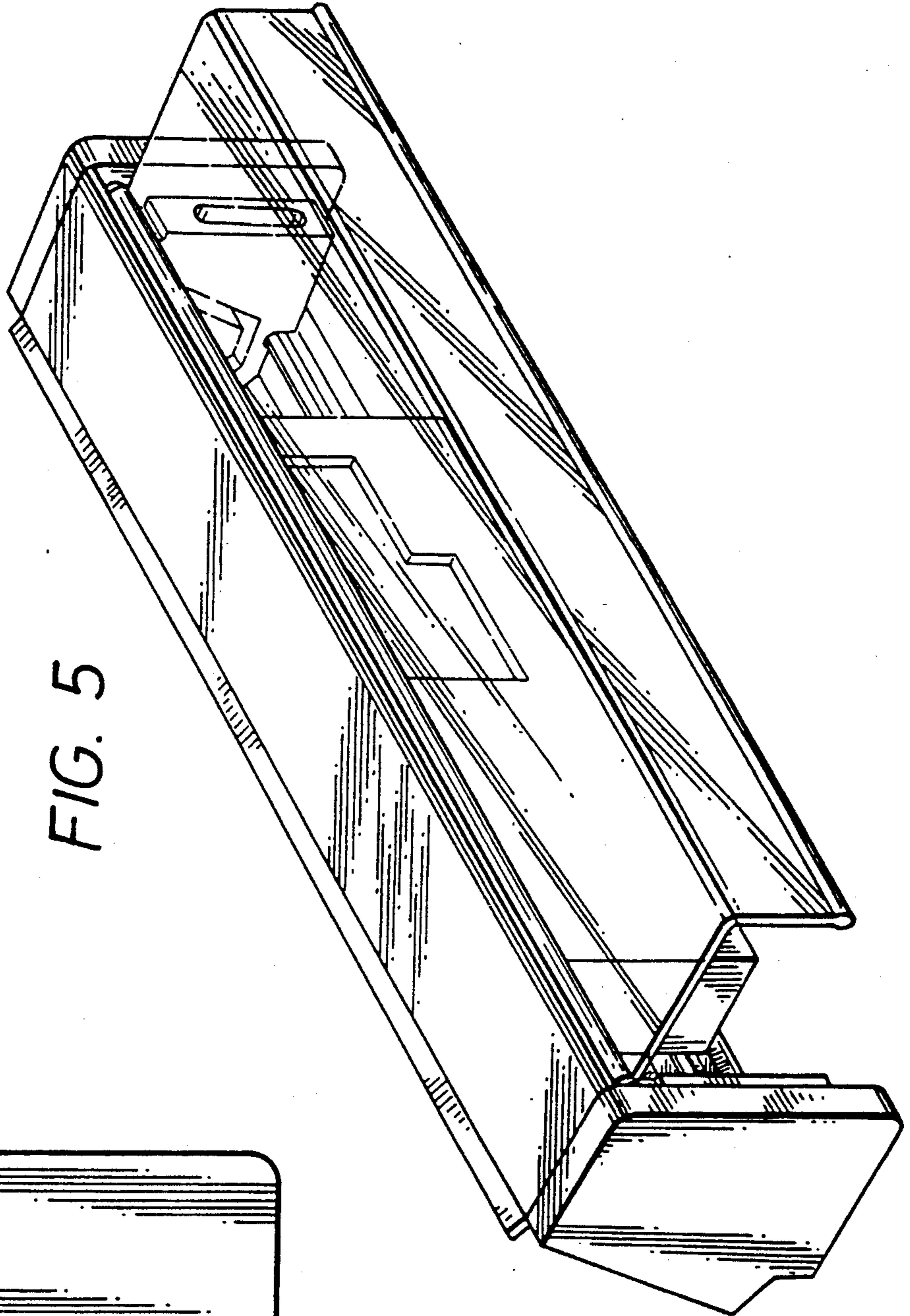


FIG. 5



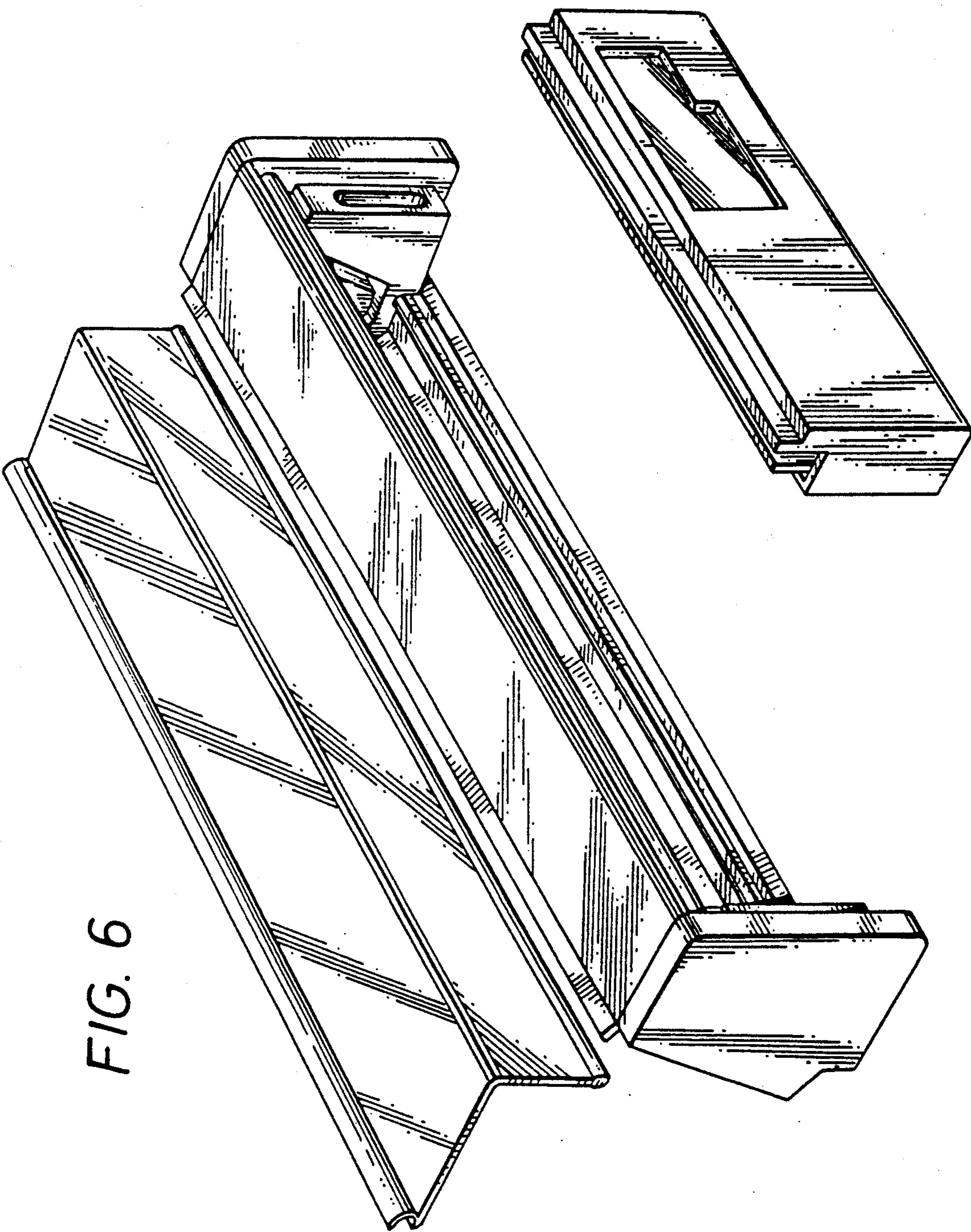


FIG. 6