



US00D338685S

# United States Patent [19]

[11] Patent Number: Des. 338,685

Dakich

[45] Date of Patent: \*\* Aug. 24, 1993

[54] **PORTABLE UTILITY TRAY**

[76] Inventor: Joy L. Dakich, 16093 Meadow Oak Dr., Chesterfield, Mo. 63017

[\*\*] Term: 14 Years

[21] Appl. No.: 563,543

[22] Filed: Aug. 6, 1990

[52] U.S. Cl. .... D19/92; D19/35; D32/74

[58] Field of Search ..... D3/30.1, 78; D32/74; D6/510, 511, 574; D7/550; D19/65, 75, 86, 92, 95, 99, 100; 211/126; 229/110; 206/215, 555

[56] **References Cited**

**U.S. PATENT DOCUMENTS**

D. 42,925	8/1912	Nelson	.....	D32/74
D. 42,974	9/1912	Nelson	.....	D32/74
D. 67,490	6/1925	Briggs	.....	D32/74
2,453,973	11/1948	Coats	.....	229/110 X
3,028,975	4/1962	Bullock	.....	211/126
3,531,170	9/1970	Boyer	.....	D3/78 X

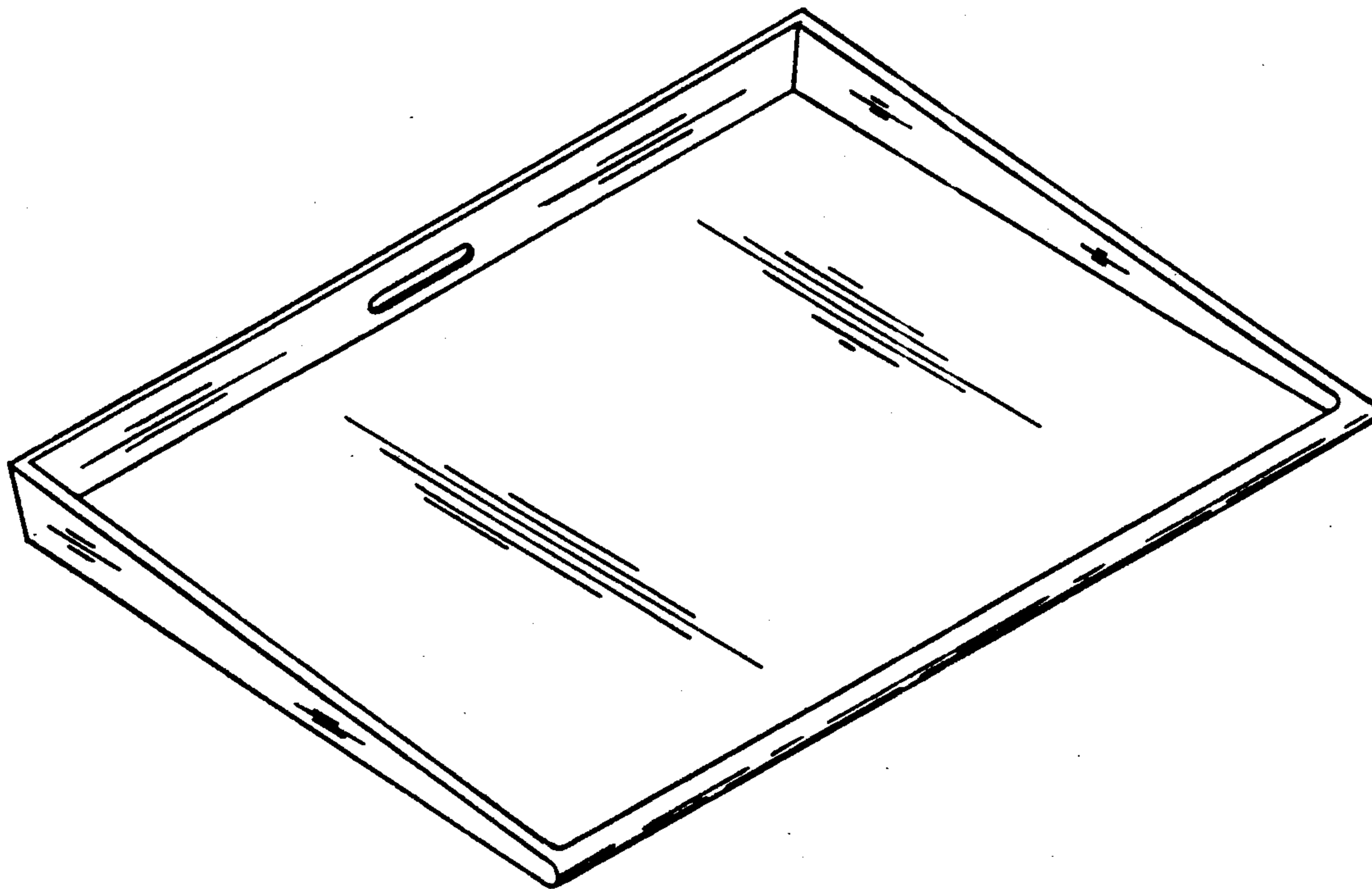
*Primary Examiner*—Nelson C. Holtje  
*Assistant Examiner*—Martha Thompson  
*Attorney, Agent, or Firm*—Haverstock, Garrett & Roberts

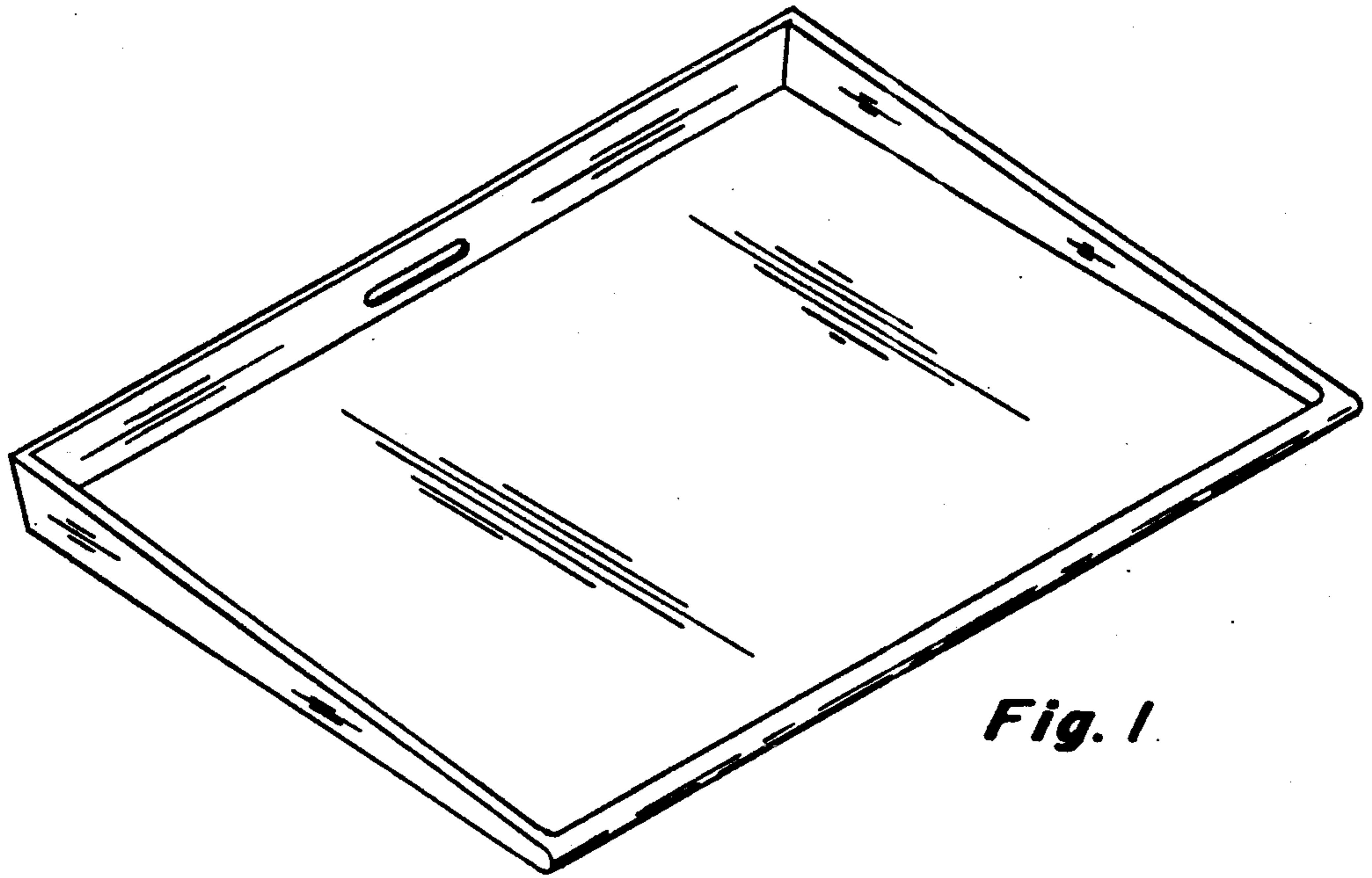
[57] **CLAIM**

The ornamental design for a portable utility tray, as shown and described.

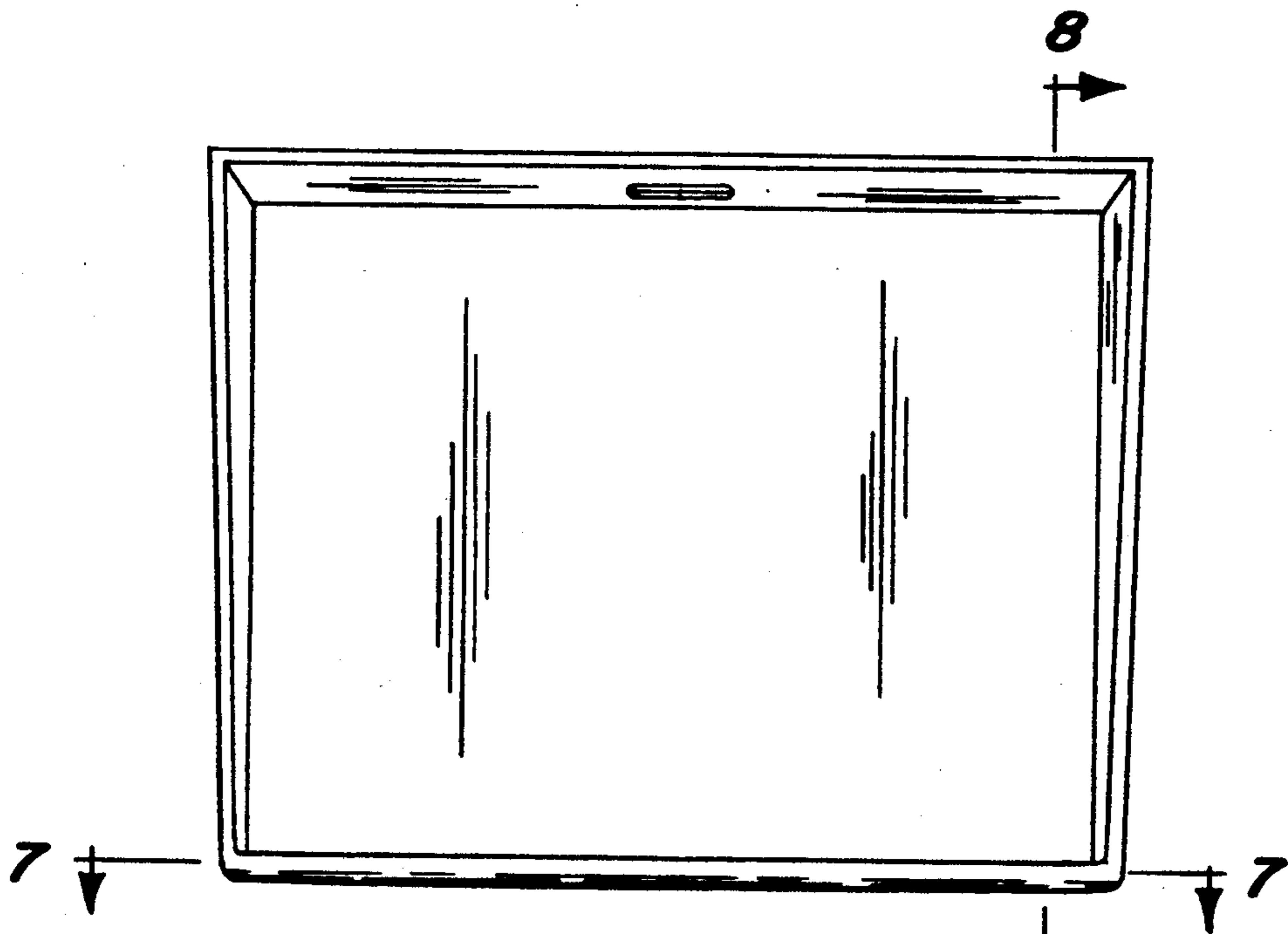
**DESCRIPTION**

FIG. 1 is a perspective view of an portable utility tray showing my new design;  
FIG. 2 is a top plan view thereof;  
FIG. 3 is a front elevational view thereof;  
FIG. 4 is a left side elevational view the right side being a mirror image thereof;  
FIG. 5 is a rear elevational view thereof;  
FIG. 6 is a bottom plan view thereof;  
FIG. 7 is an enlarged fragmentary cross-sectional view thereof taken along line 7—7 of FIG. 2; and,  
FIG. 8 is an enlarged fragmentary cross-sectional view thereof taken along line 8—8 of FIG. 2.





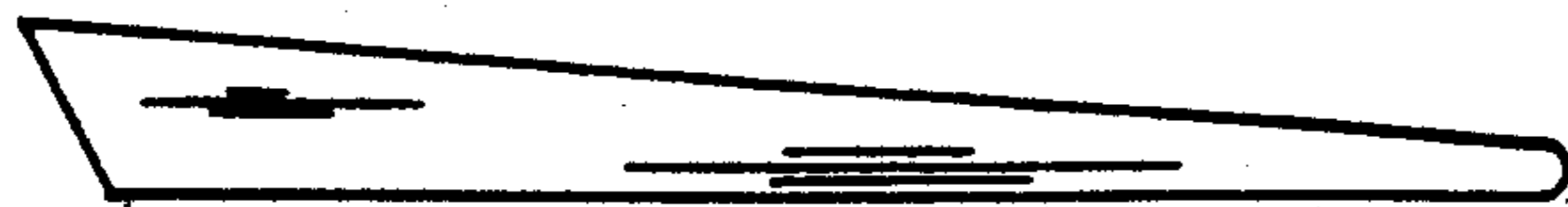
*Fig. 1*



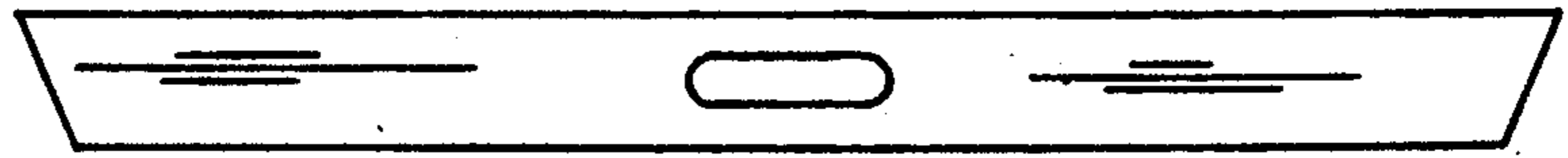
*Fig. 2*



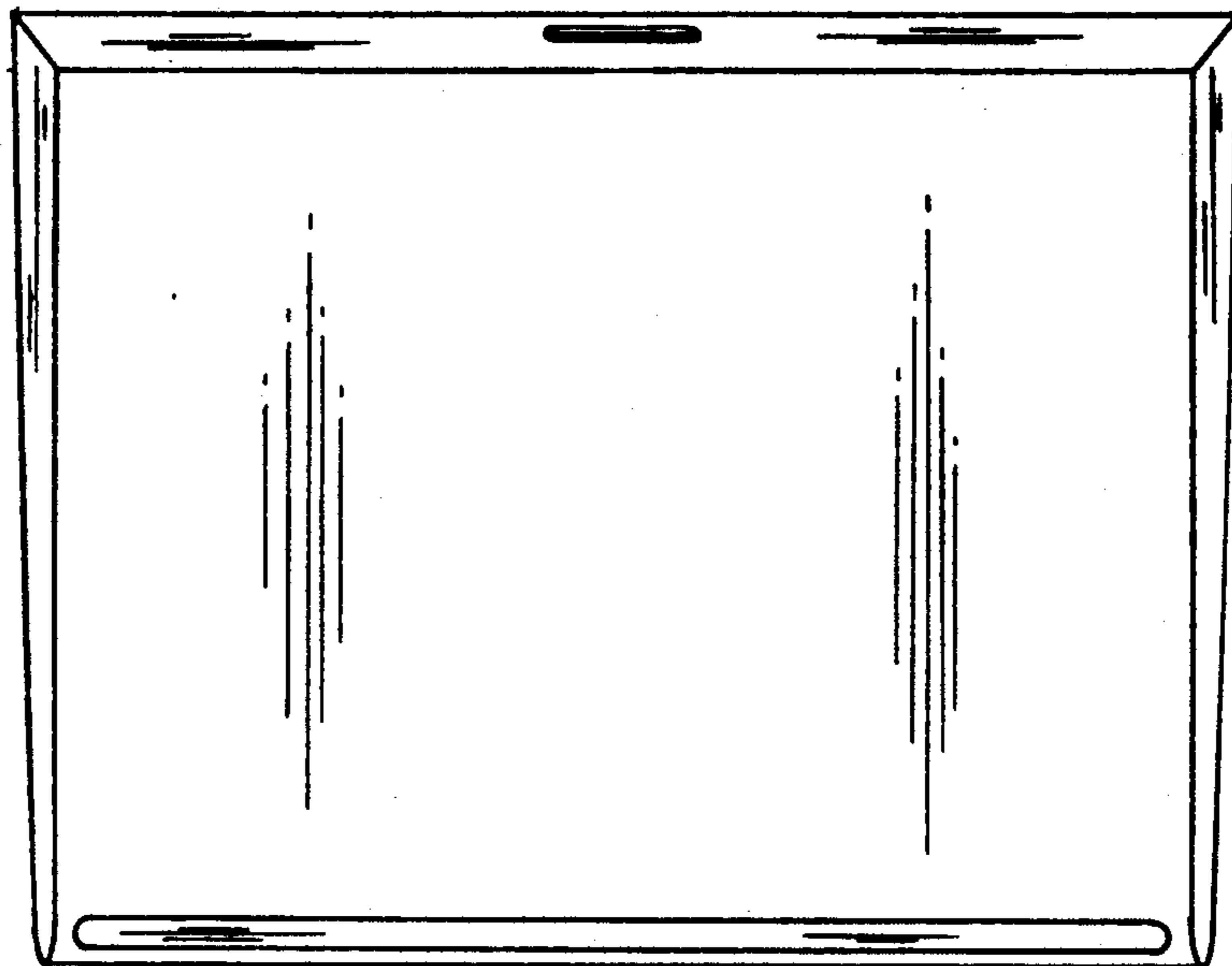
*Fig. 3*



**Fig. 4**



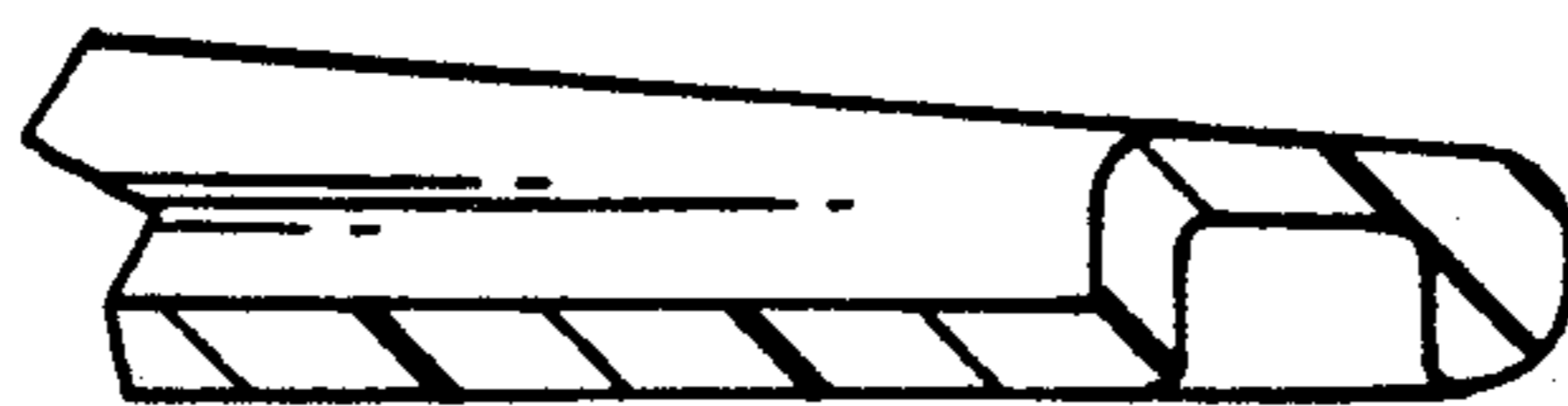
**Fig. 5**



**Fig. 6**



**Fig. 7**



**Fig. 8**