



US00D338682S

United States Patent [19]

[11] Patent Number: **Des. 338,682**

Threadgill, Irene C.

[45] Date of Patent: **** Aug. 24, 1993**

[54] PORTABLE ELECTRIC GUITAR

[76] Inventor: **Threadgill, Irene C., 224 Bond St., Westbury, N.Y. 11590**

[**] Term: **14 Years**

[21] Appl. No.: **445,332**

[22] Filed: **Dec. 4, 1989**

[52] U.S. Cl. **D17/19; D17/14**

[58] Field of Search **D17/14, 15, 18-20; D21/64; 84/267, 291, 292, 293, 723-743**

[56] References Cited

U.S. PATENT DOCUMENTS

D. 242,648	12/1976	Fields	D17/14
D. 247,863	5/1978	Sasaki et al.	D17/14
D. 255,905	7/1980	Soika et al.	D17/14
3,324,755	6/1967	Canonico	84/267
3,696,700	10/1972	Berardi	84/291
4,028,977	6/1977	Ryeczek	84/724
4,467,692	8/1984	Egan	84/291

FOREIGN PATENT DOCUMENTS

52-20817 2/1977 Japan 84/731

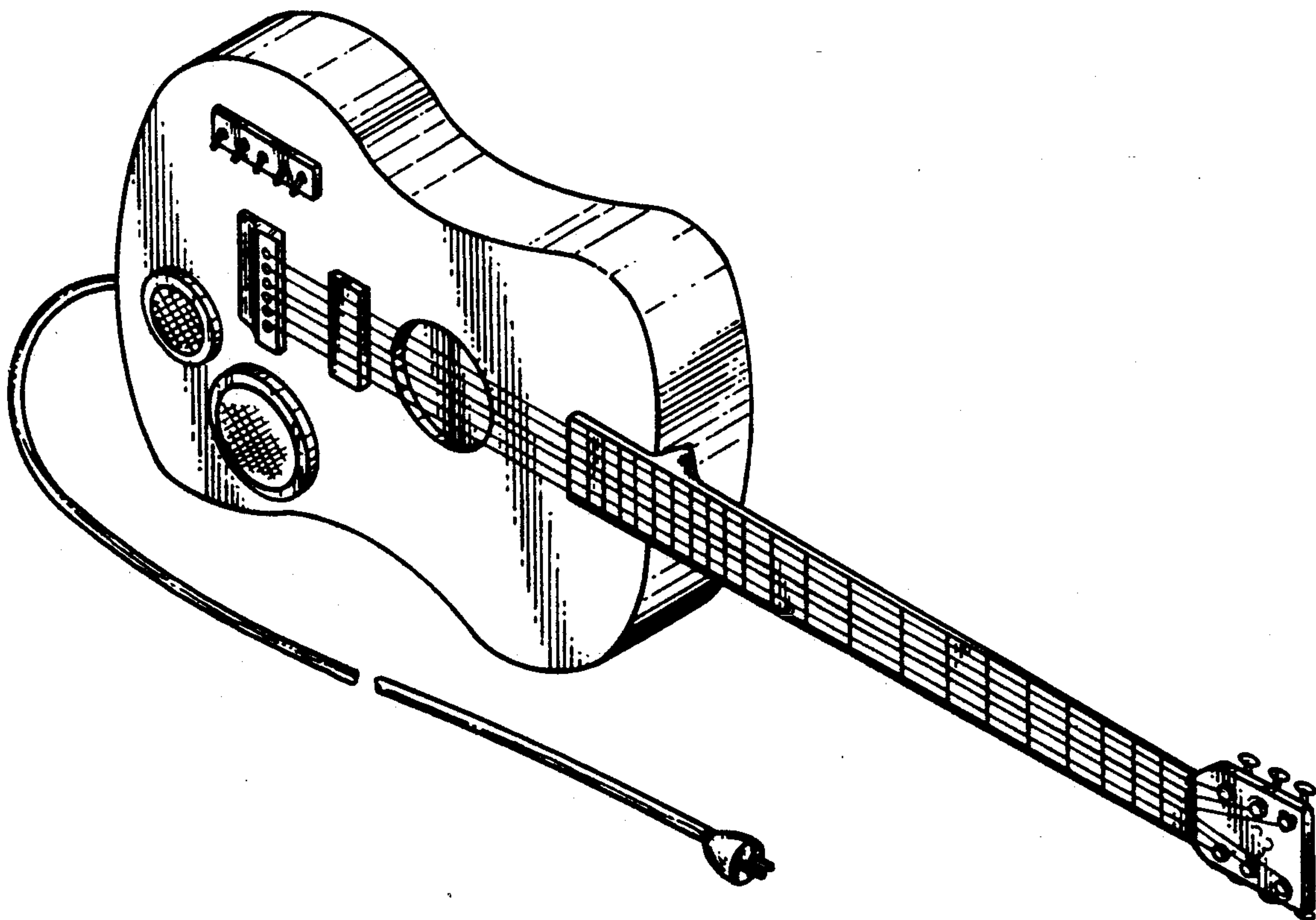
Primary Examiner—Bernard Ansher
Assistant Examiner—Adir Aronovich
Attorney, Agent, or Firm—Terry M. Gernstein

[57] CLAIM

The ornamental design for a portable electric guitar, as shown and described.

DESCRIPTION

FIG. 1 is a top front perspective view of a portable electric guitar showing my new design; FIG. 2 is a rear elevational view thereof; FIG. 3 is a top plan view thereof; FIG. 4 is a bottom plan view thereof; FIG. 5 is a front elevational view thereof; FIG. 6 is a side elevational view thereof; and, FIG. 7 is a side elevational view opposite of that shown in FIG. 6.



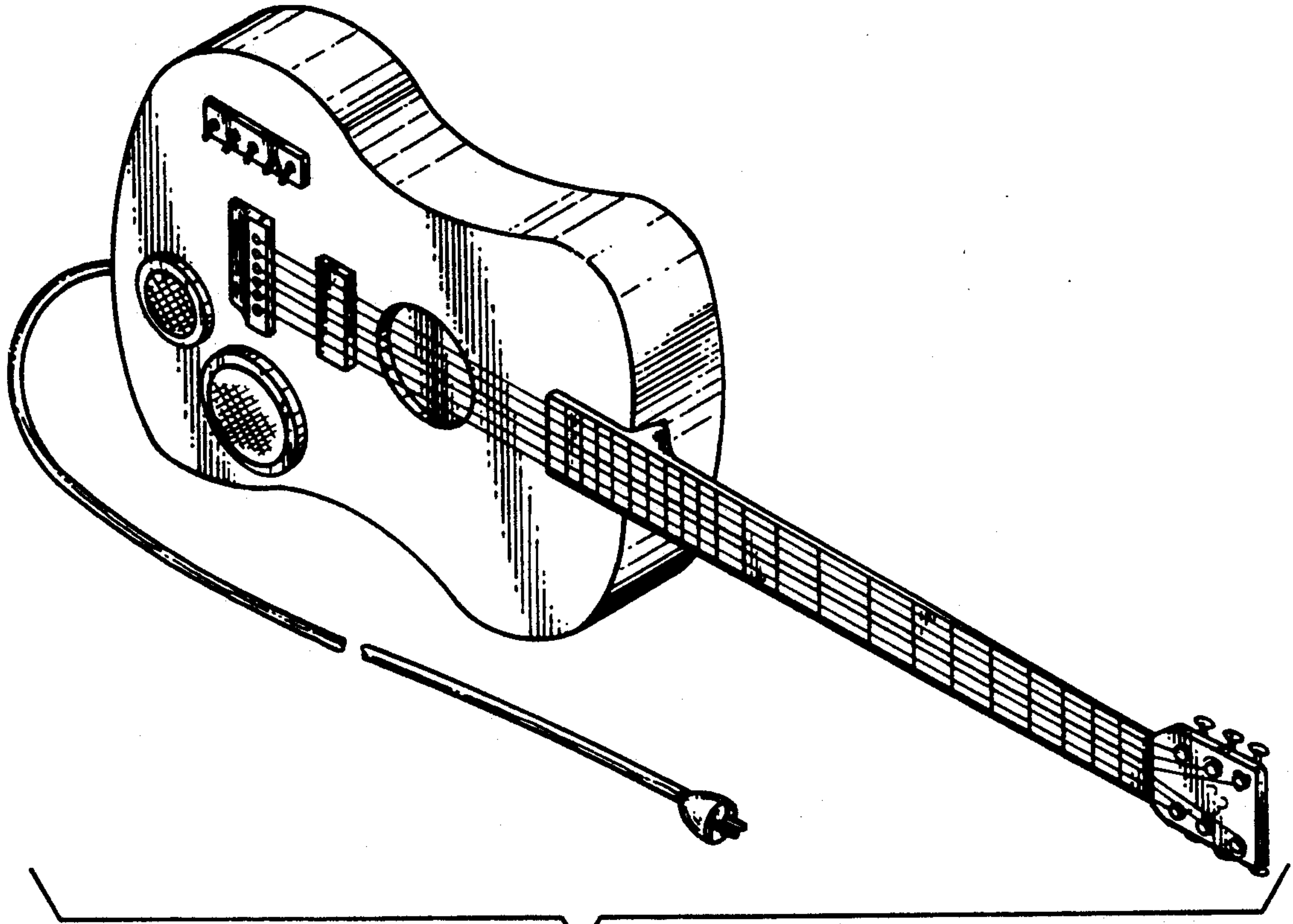


FIG. 1

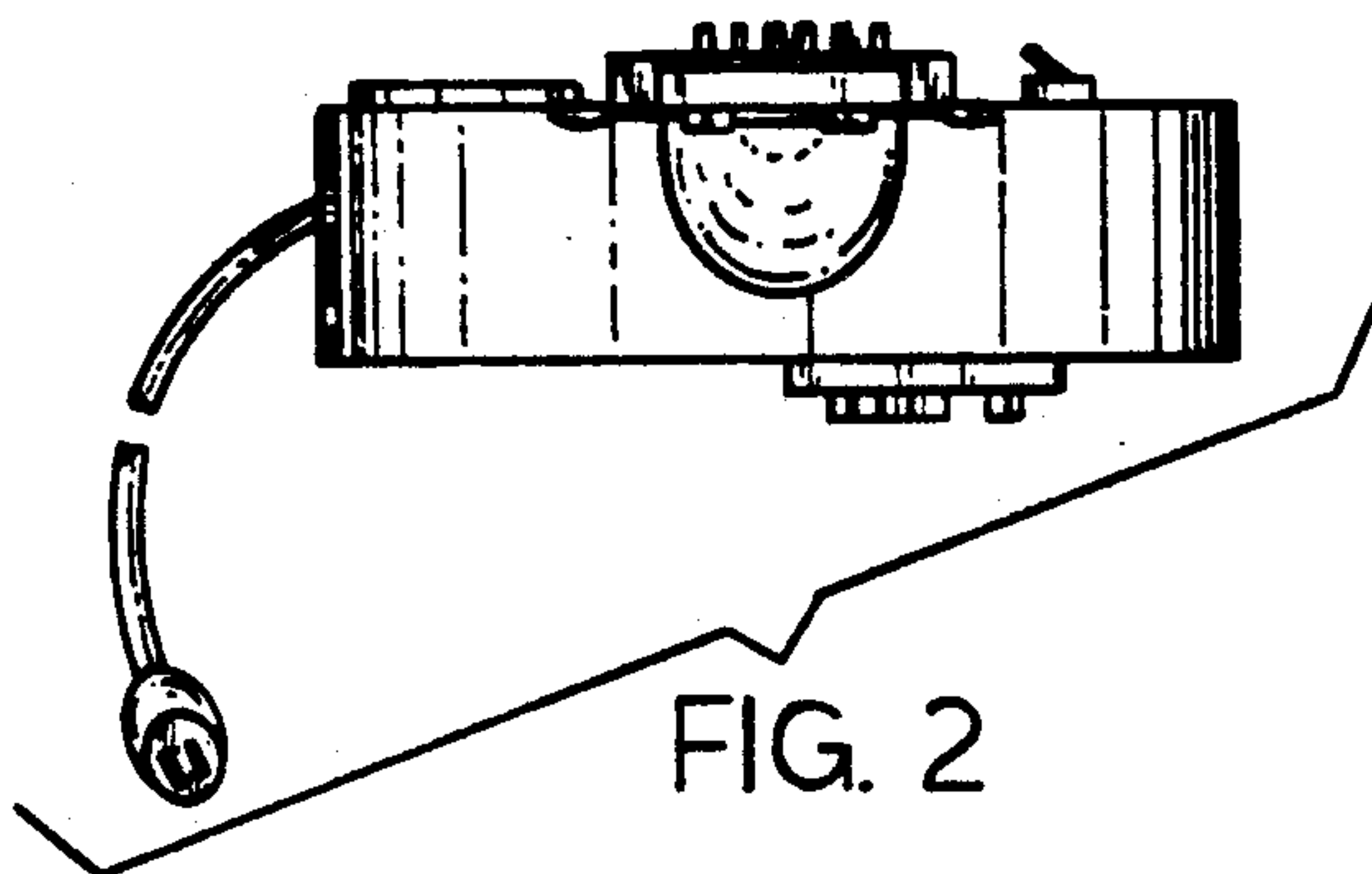


FIG. 2

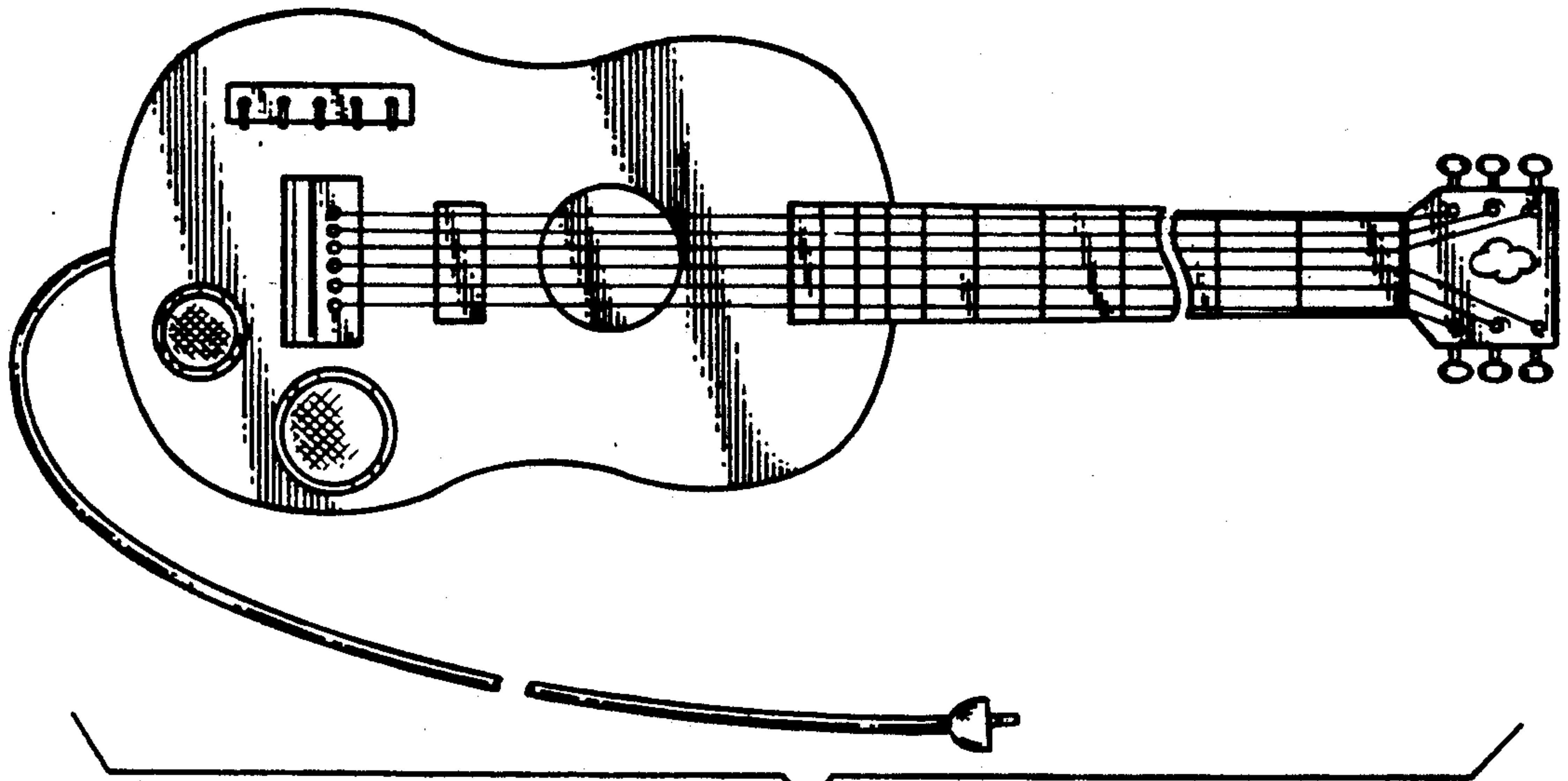


FIG. 3

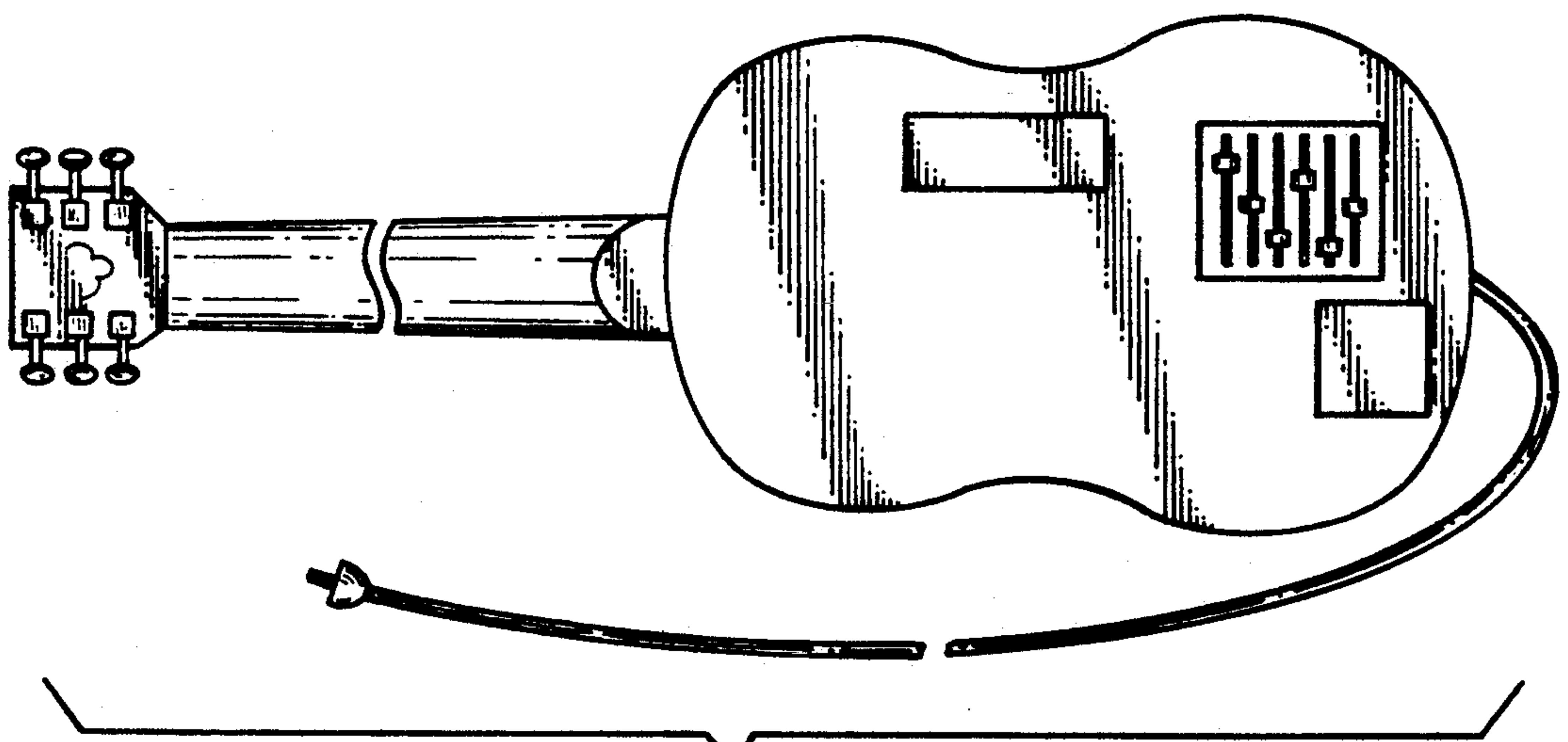


FIG. 4

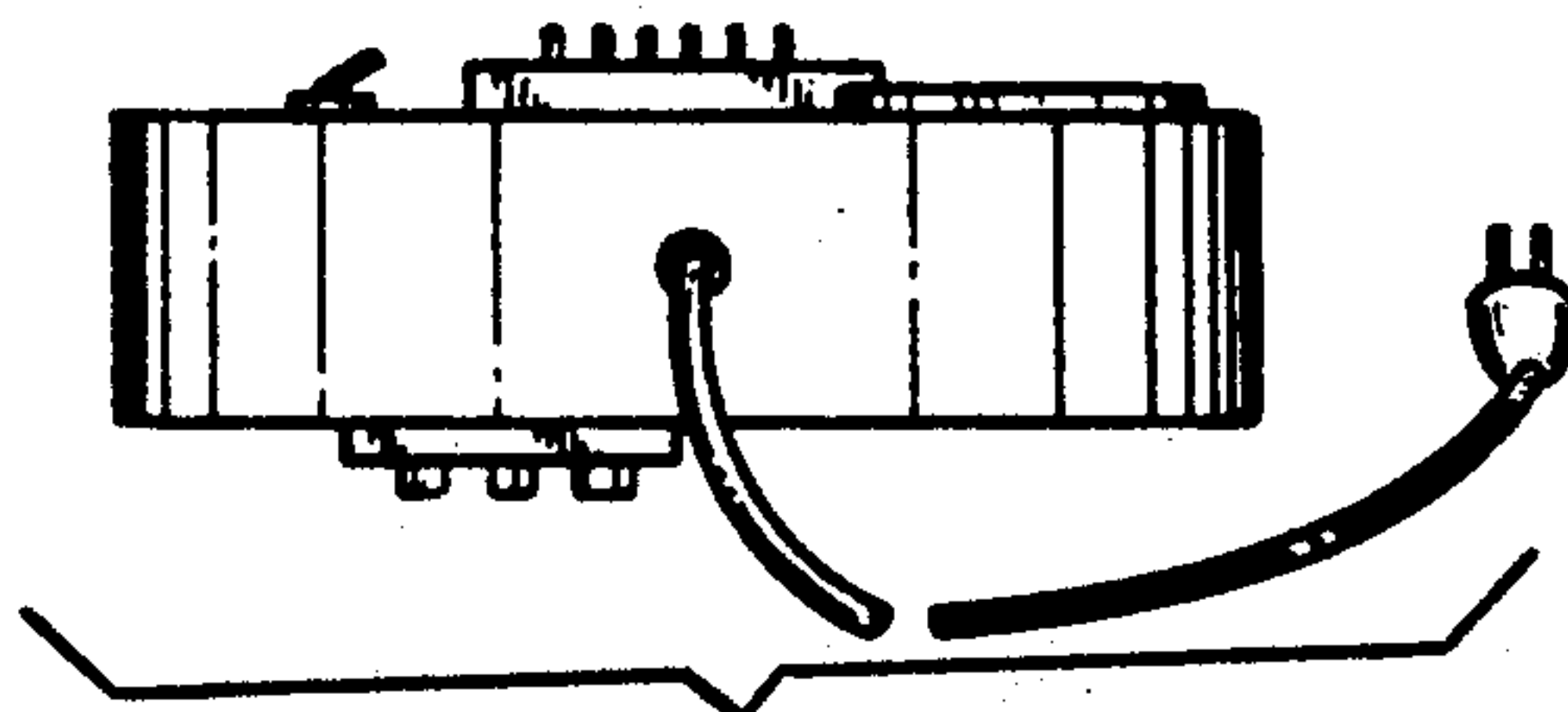


FIG. 5

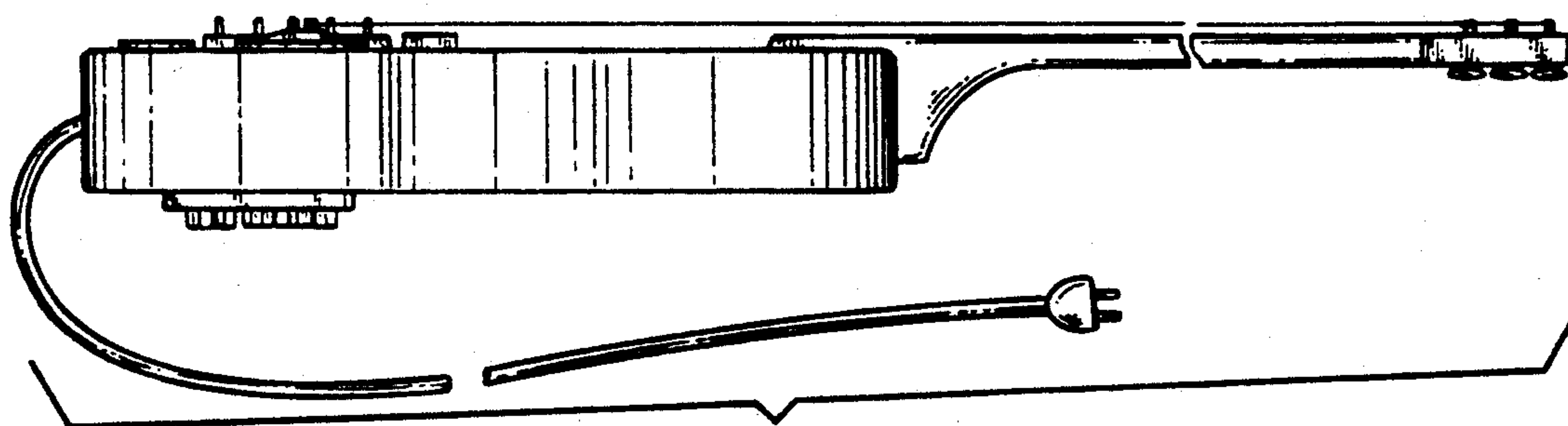


FIG. 6

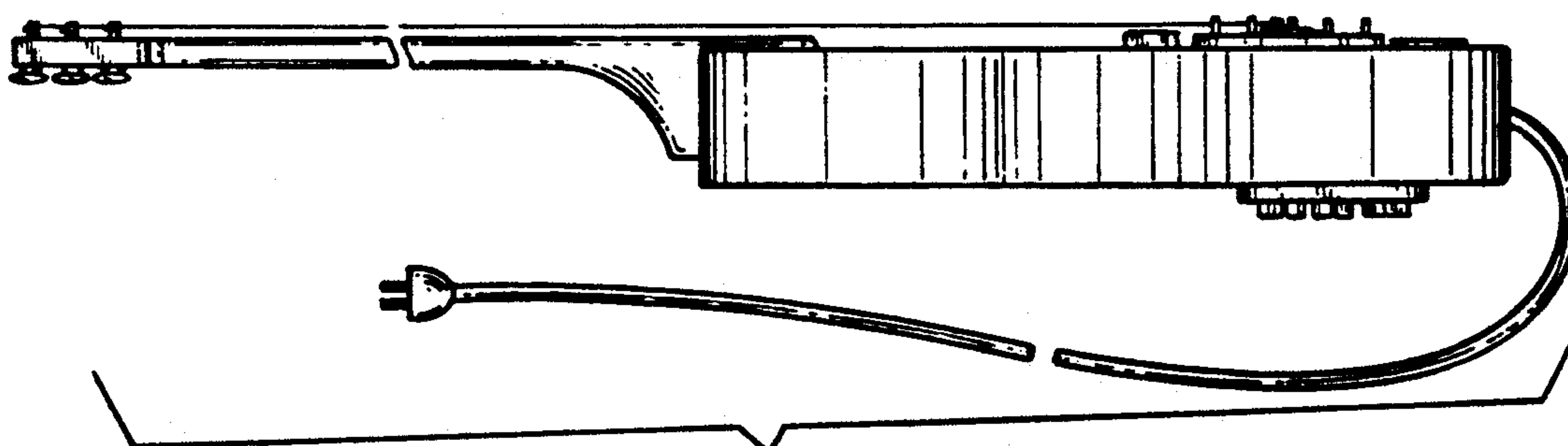


FIG. 7