



US00D338681S

United States Patent [19] Long

[11] Patent Number: **Des. 338,681**

[45] Date of Patent: **** Aug. 24, 1993**

[54] VIDEO SLIDE PROJECTOR

[76] Inventor: **Michael K. Long**, 1450 Genoa Dr.,
Vista, Calif. 92083

[**] Term: **14 Years**

[21] Appl. No.: **567,657**

[22] Filed: **Aug. 15, 1990**

[52] U.S. Cl. **D16/221**

[58] Field of Search **D16/221, 225; D21/110;**
353/116, 118, 103-115, 117, 119

[56] References Cited

U.S. PATENT DOCUMENTS

D. 154,249	6/1949	Dutton	D16/221
D. 183,071	6/1958	Tashima	D16/221
D. 238,796	2/1976	Cummings et al.	D21/110
3,373,655	3/1968	Nicholas	353/103
4,076,401	2/1978	Drwiega	353/108

OTHER PUBLICATIONS

Linotype Digital Typeface Directory, 1987 p. 188.

Primary Examiner—**B. J. Bullock**

Assistant Examiner—**Adir Aronovich**

Attorney, Agent, or Firm—**Leon Gilden**

[57] CLAIM

The ornamental design for a video slide projector, as shown and described.

DESCRIPTION

FIG. 1 is a front elevational view of the video slide projector showing my new design;
 FIG. 2 is a rear elevational view thereof;
 FIG. 3 is a left side elevational view thereof;
 FIG. 4 is a right side elevational view thereof;
 FIG. 5 is a top plan view thereof;
 FIG. 6 is a bottom plan view thereof;
 FIG. 7 is a top, front perspective view thereof; and,
 FIG. 8 is a bottom, rear perspective view thereof.

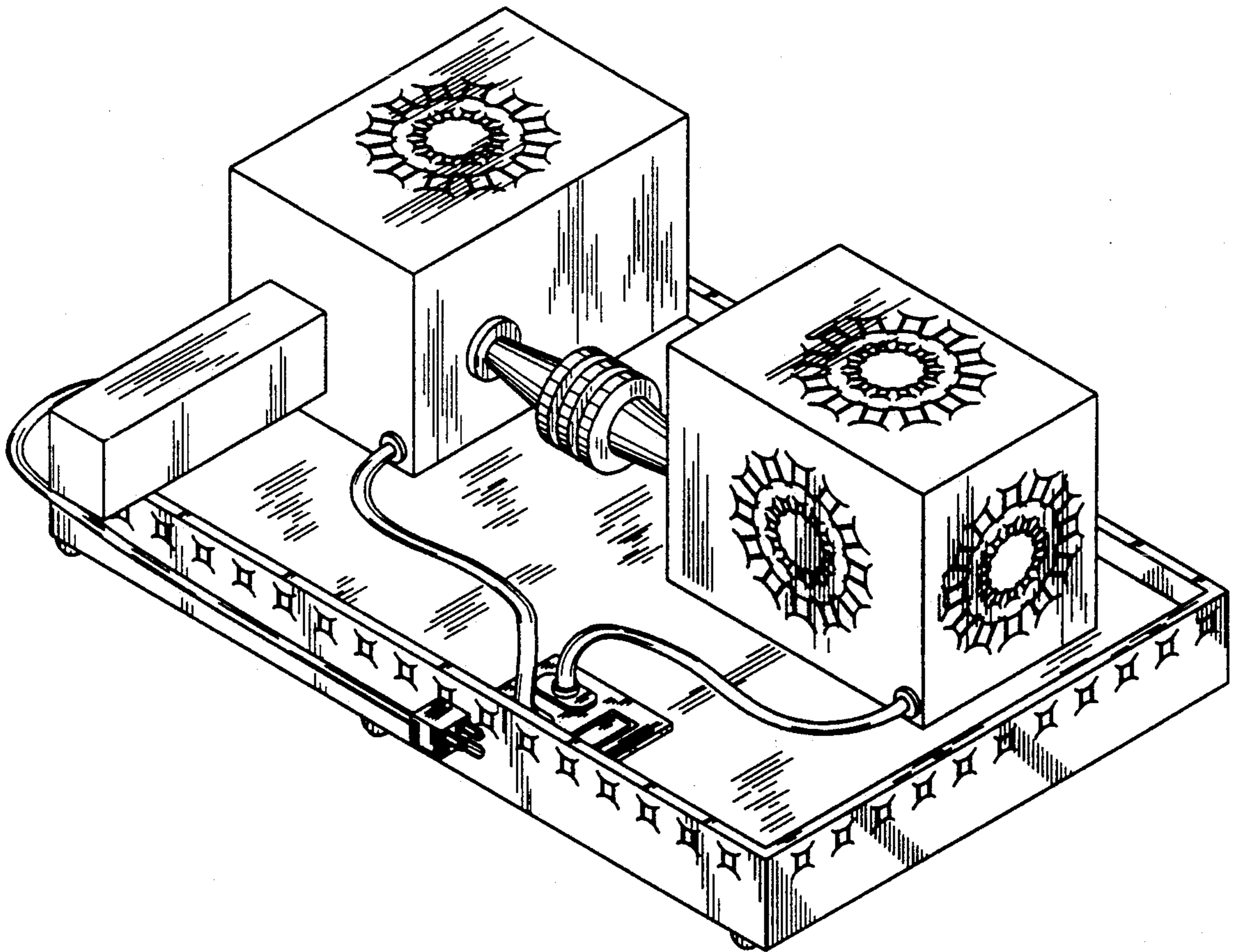


FIG. 1

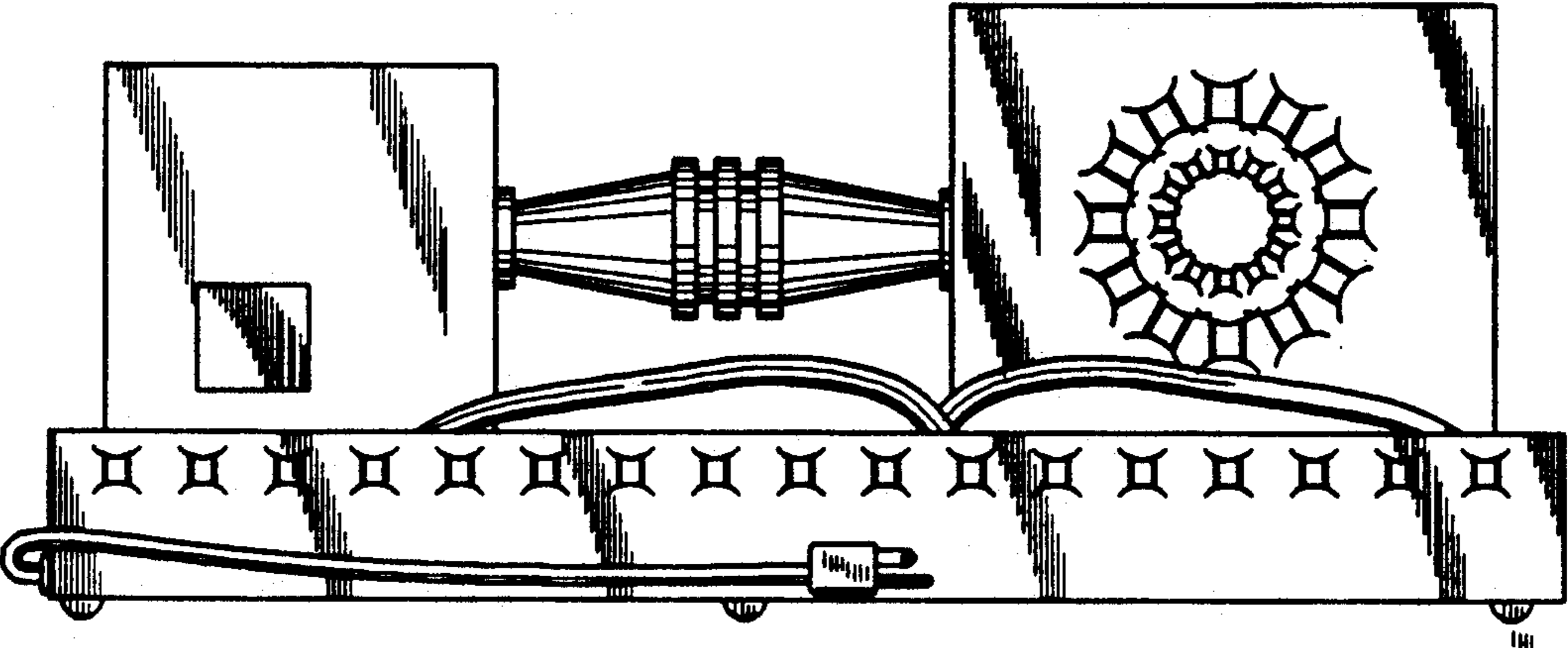


FIG. 2

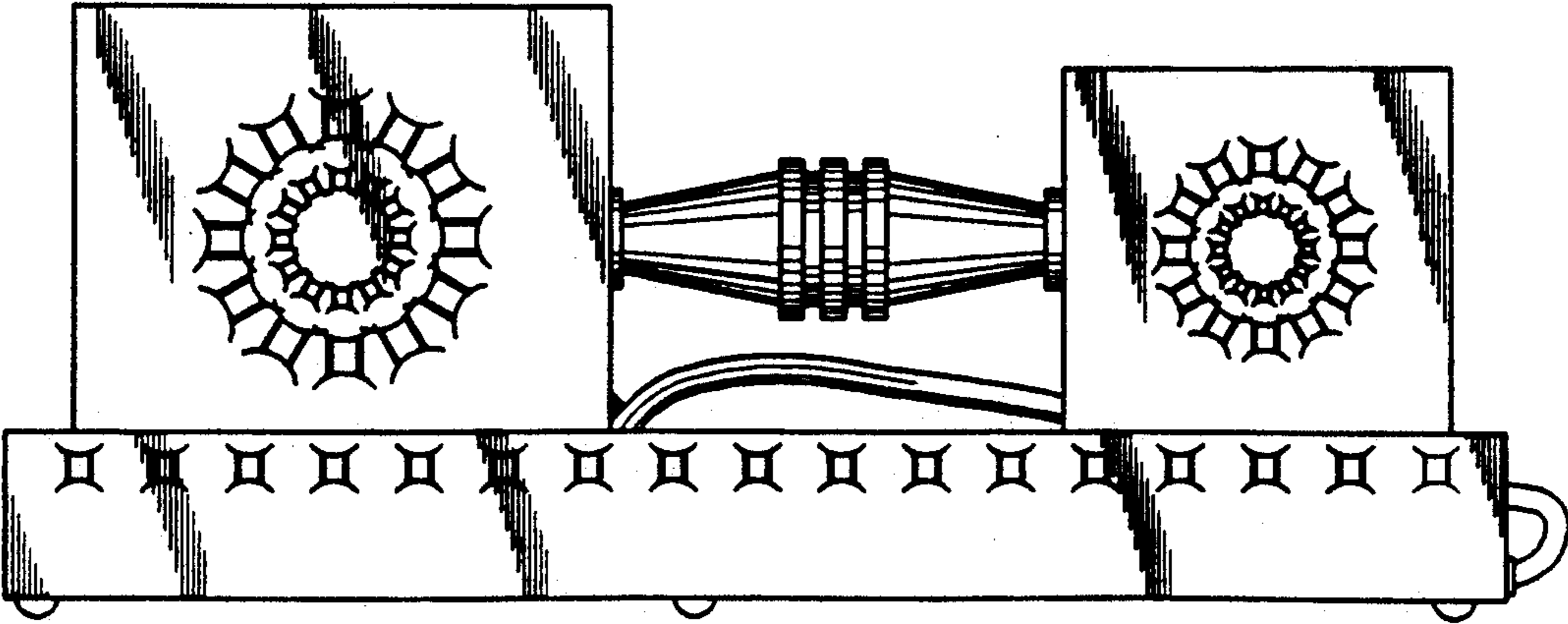


FIG. 3

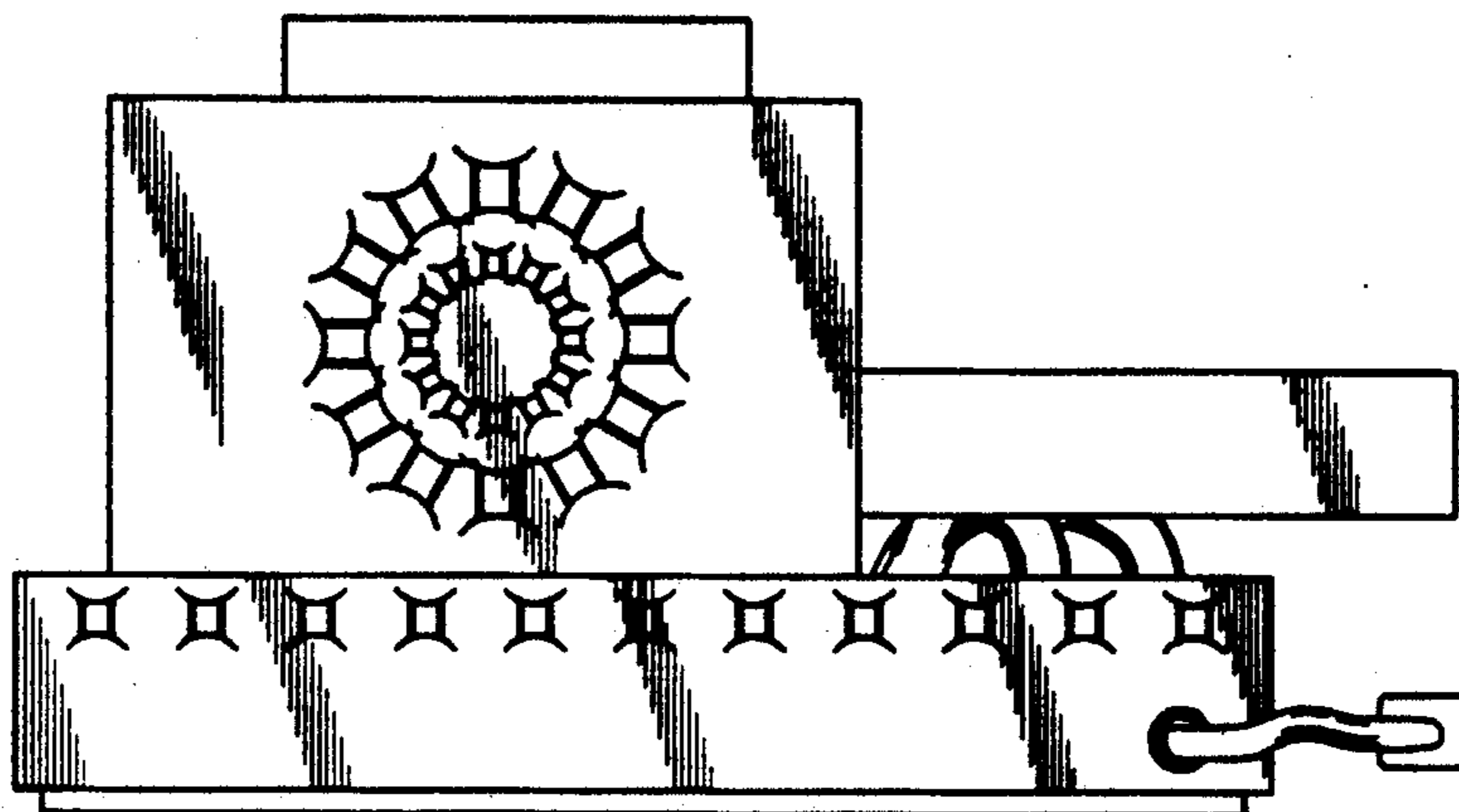


FIG. 4

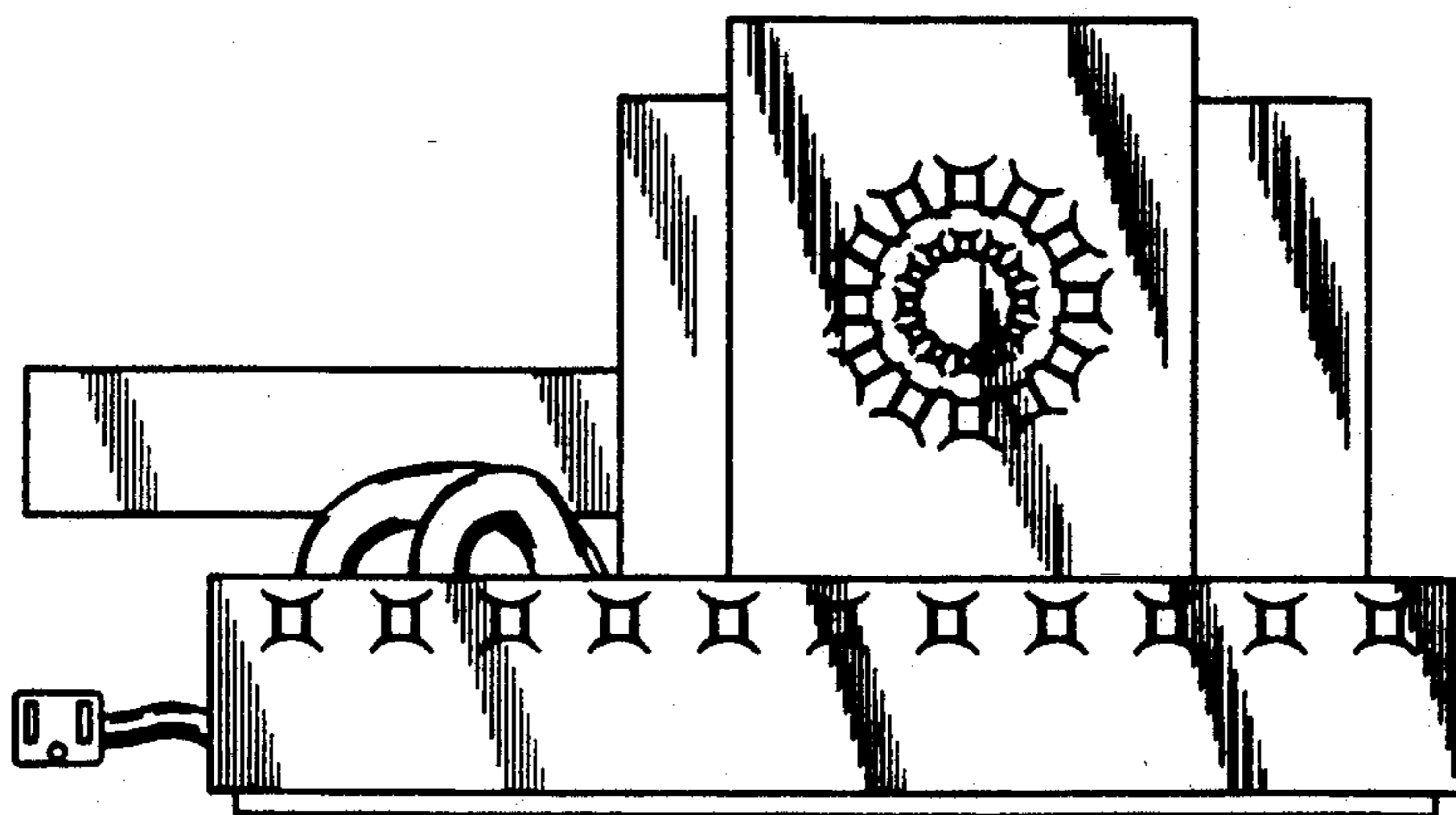


FIG. 5

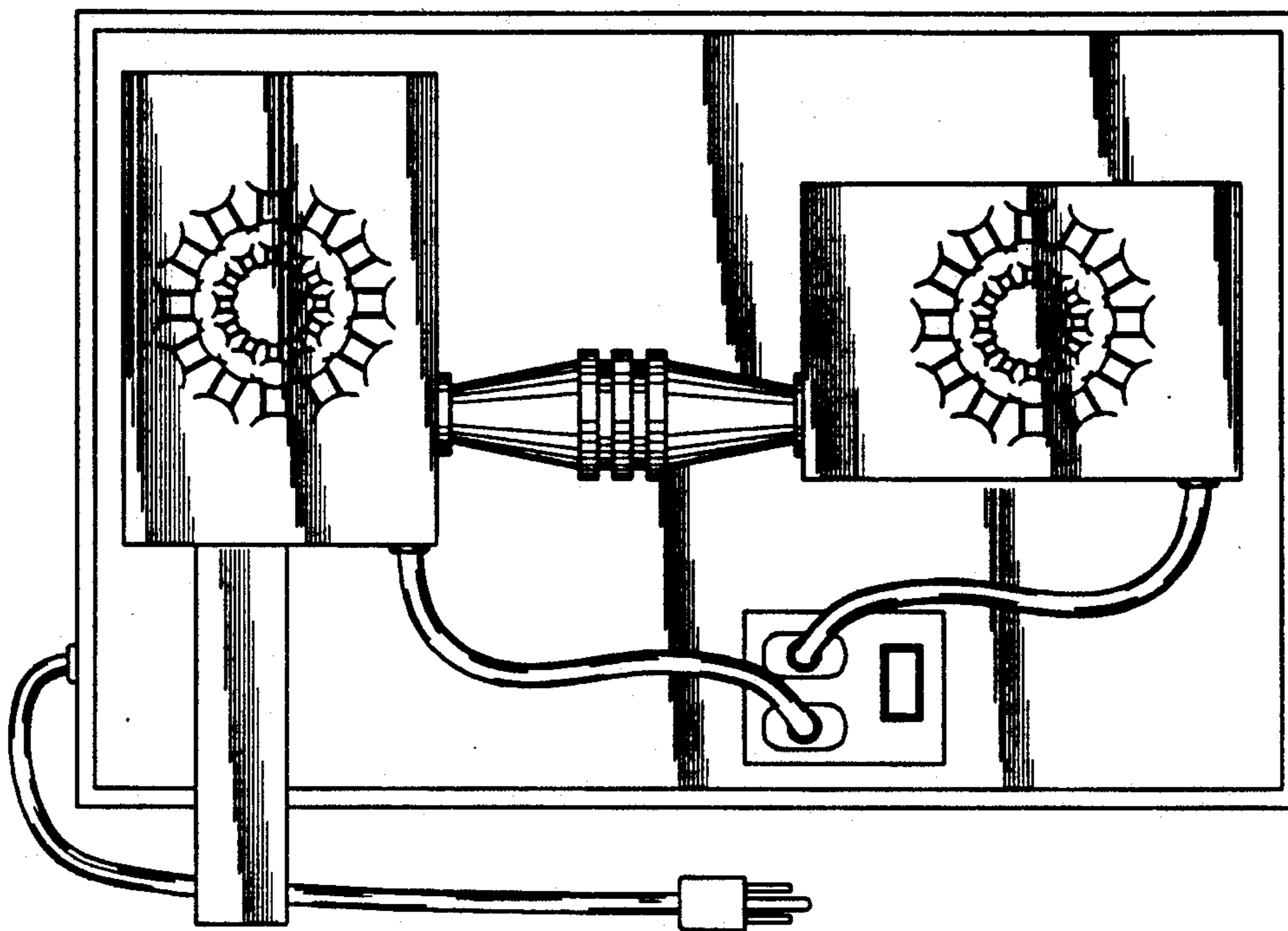
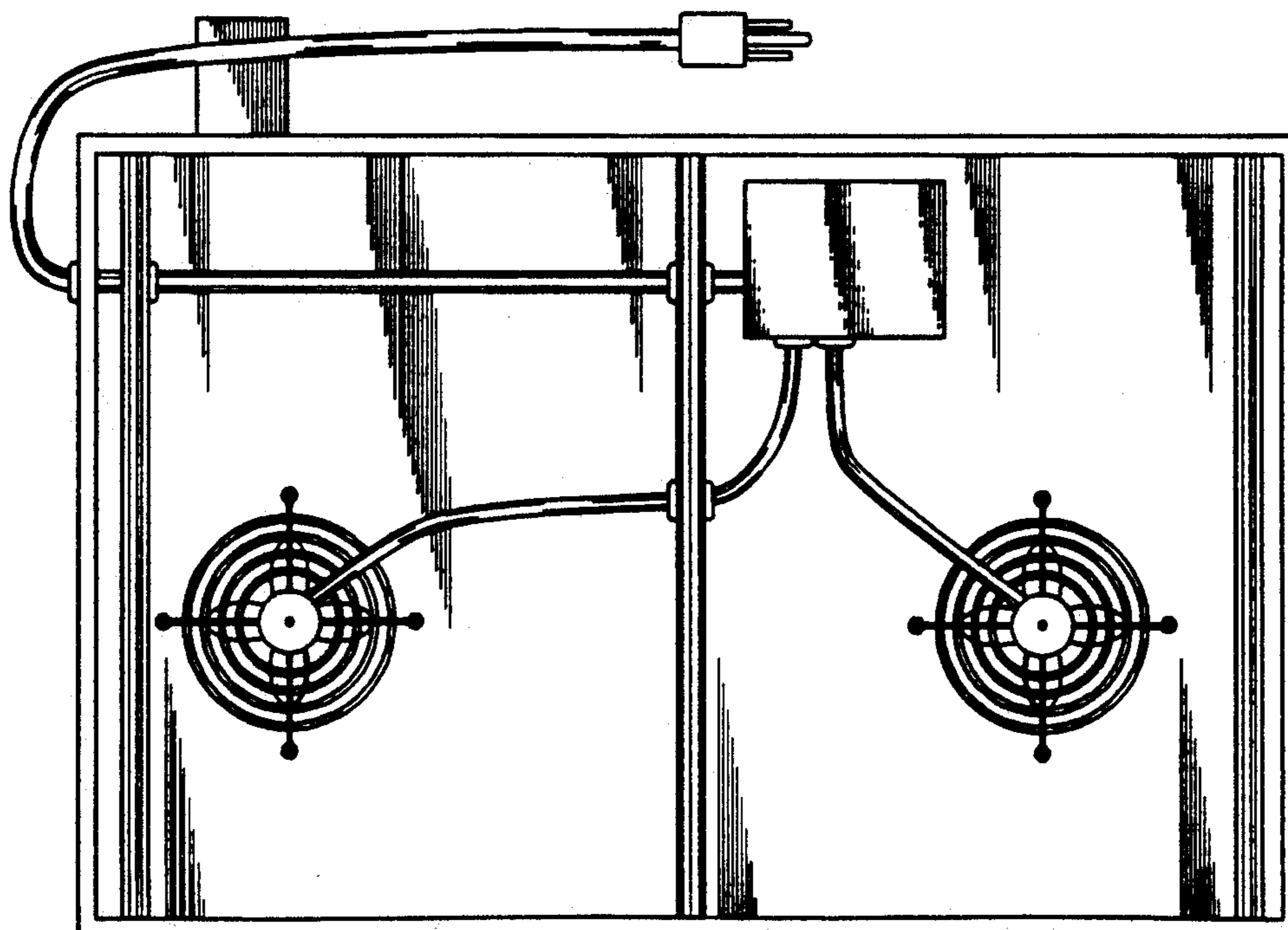


FIG. 6



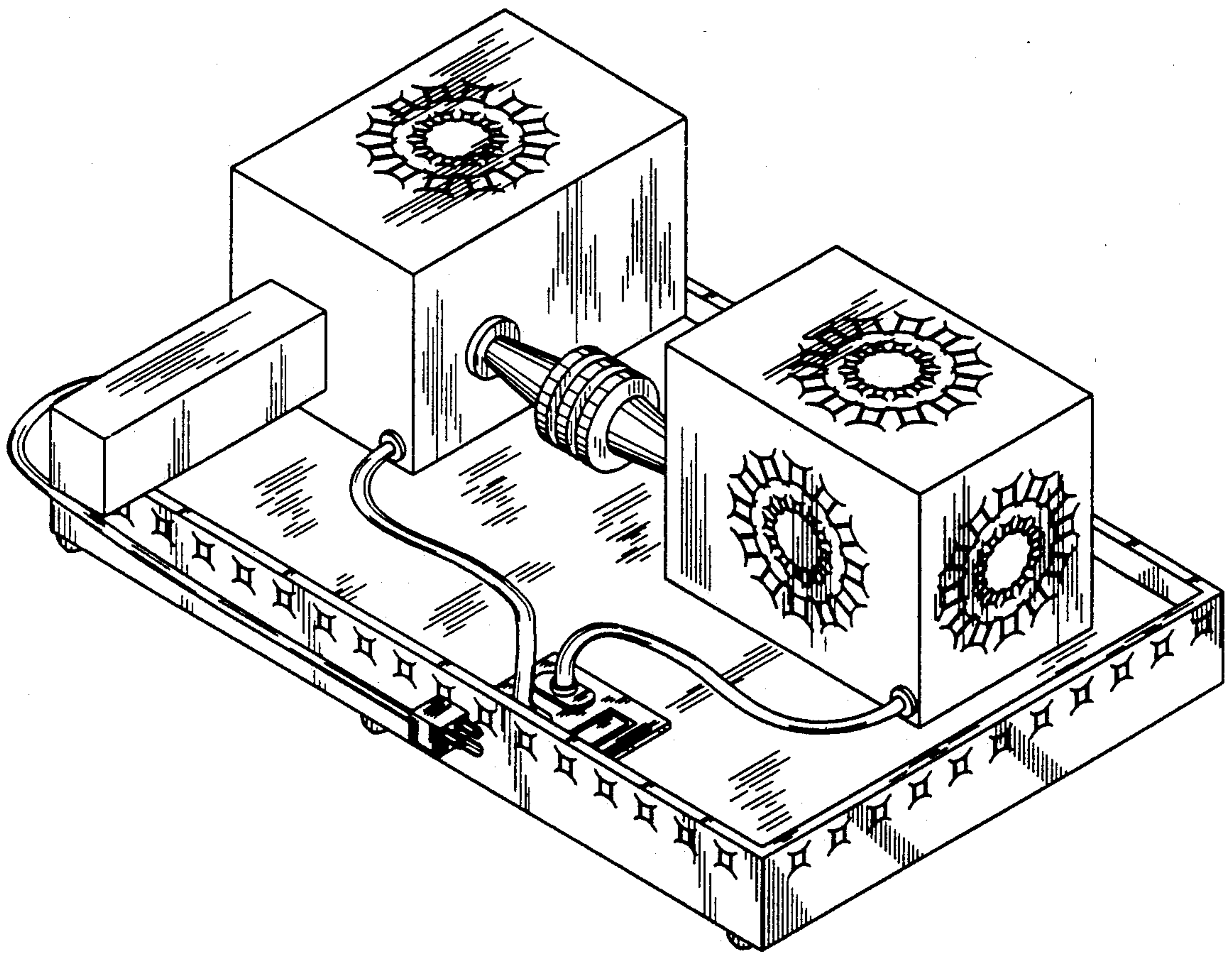


FIG. 7

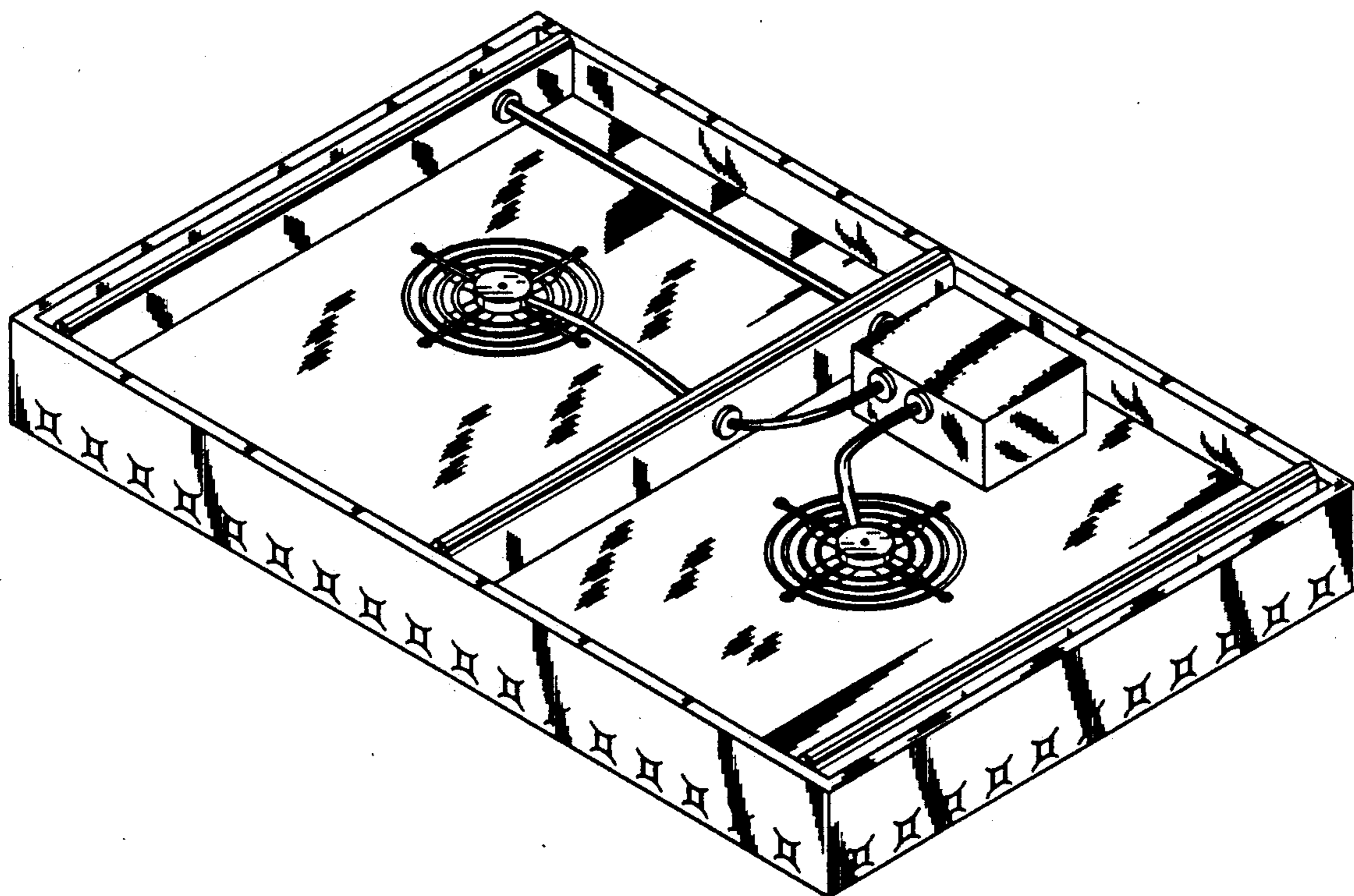


FIG. 8