



US00D338676S

United States Patent [19]

[11] Patent Number: **Des. 338,676**

Tuggle et al.

[45] Date of Patent: **** Aug. 24, 1993**

[54] **POWER HEAD FOR CORDLESS LINE TRIMMER**

[75] Inventors: **Lloyd Tuggle; Jerry Stuart; Robert Hamilton, all of Shreveport, La.**

[73] Assignee: **White Consolidated Industries, Inc., Cleveland, Ohio**

[**] Term: **14 Years**

[21] Appl. No.: **685,709**

[22] Filed: **Apr. 16, 1991**

[52] U.S. Cl. **D15/1; D8/8**

[58] Field of Search **D8/8; 56/12.7; 30/276; 15/1**

D. 255,764	7/1980	Lombard	D8/8
D. 260,394	8/1981	Tuggle	D8/8 X
D. 304,196	10/1989	Tuggle et al.	D8/8 X
D. 324,051	2/1992	Tuggle et al.	D8/8 X
4,651,422	3/1987	Everts	56/12.7 X
4,825,548	5/1989	Driggers	30/276

Primary Examiner—Wallace R. Burke
Assistant Examiner—H. Baynham
Attorney, Agent, or Firm—Hubbard, Thurman, Tucker & Harris

[57] CLAIM

The ornamental design for a power head for a cordless line trimmer, as shown and described.

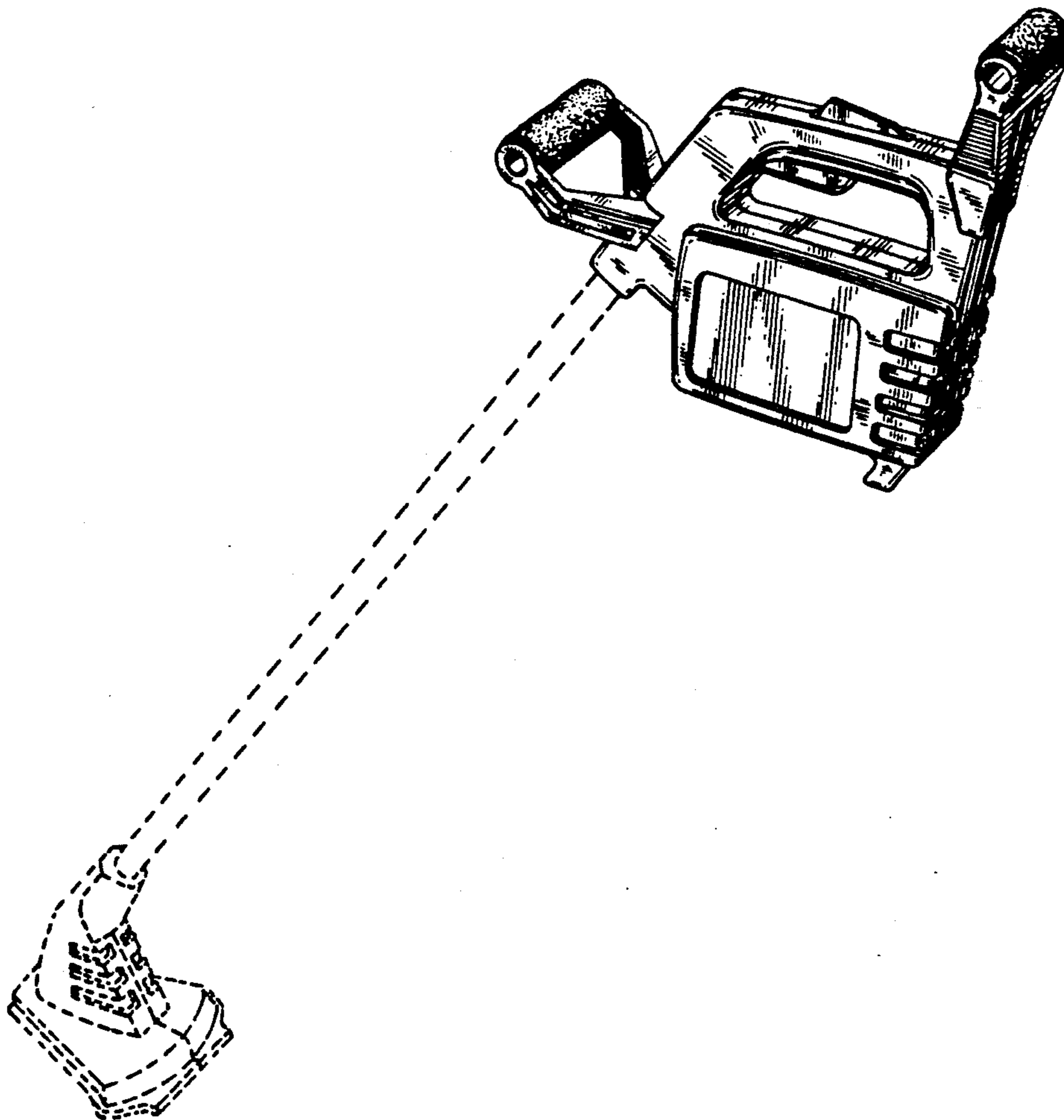
DESCRIPTION

FIG. 1 is a perspective view of a power head for a cordless line trimmer showing our new design; FIG. 2 is a left side elevational view thereof; FIG. 3 is a rear elevational view thereof; FIG. 4 is a right side elevational view thereof; FIG. 5 is a front elevational view thereof; FIG. 6 is a top plan view thereof; and, FIG. 7 is a bottom plan view thereof.

[56] References Cited

U.S. PATENT DOCUMENTS

D. 221,507	8/1971	Bonyea	D8/8
D. 249,012	8/1978	Everts	D8/8
D. 249,630	9/1978	Ballas	D8/8
D. 250,450	12/1978	Tiedemann	D8/8
D. 252,130	6/1979	Hoff	D8/8



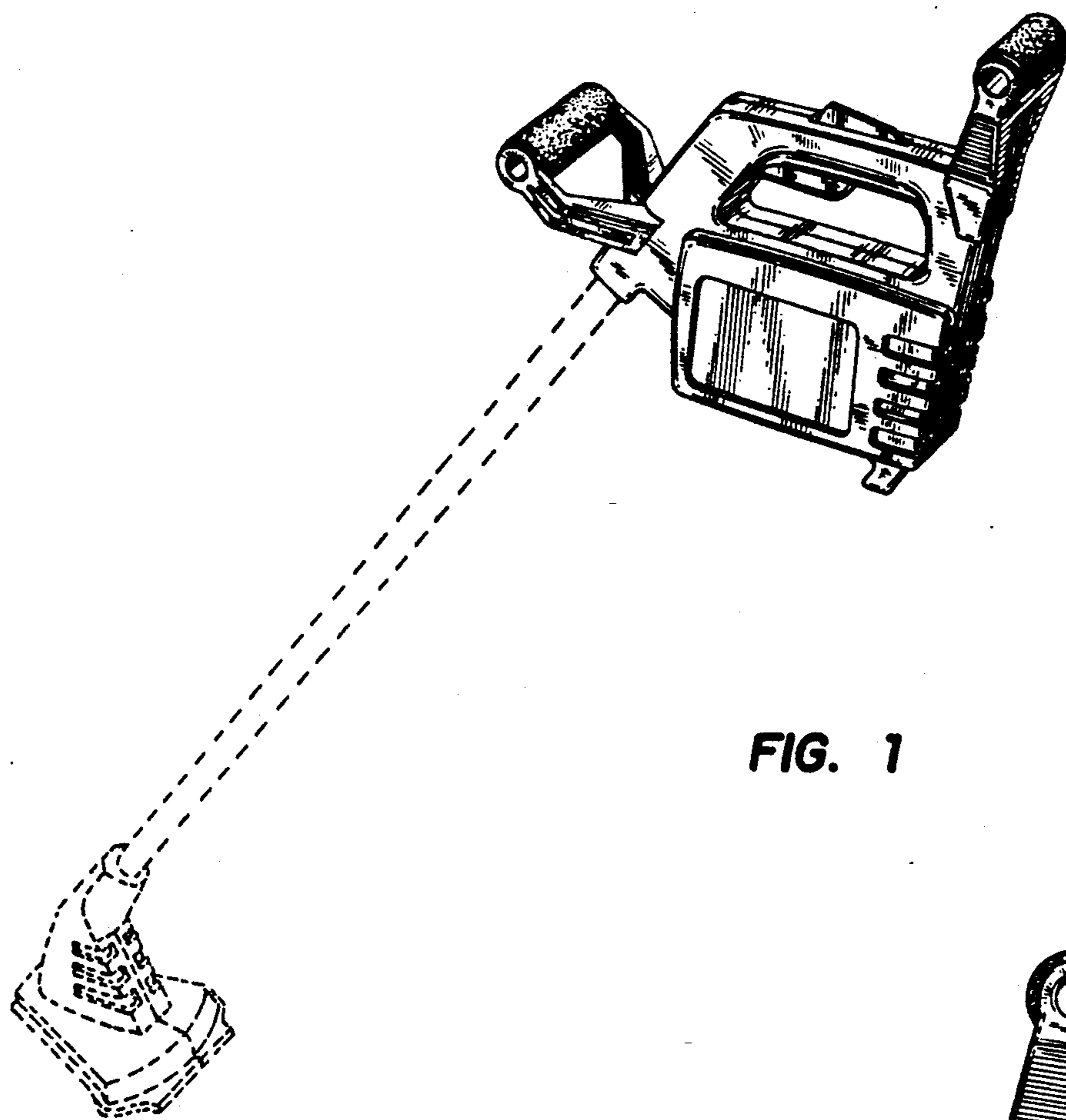


FIG. 1

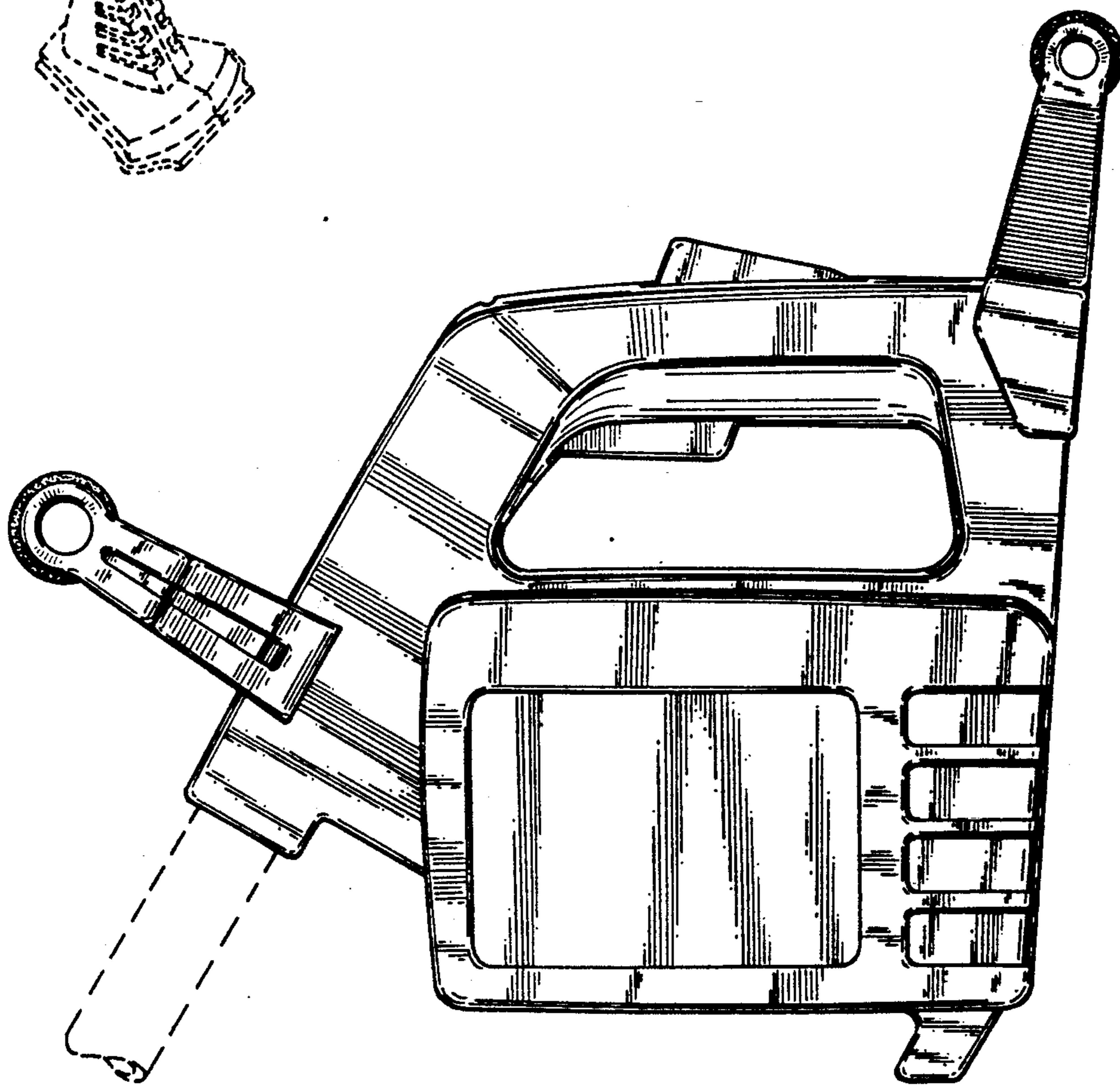


FIG. 2

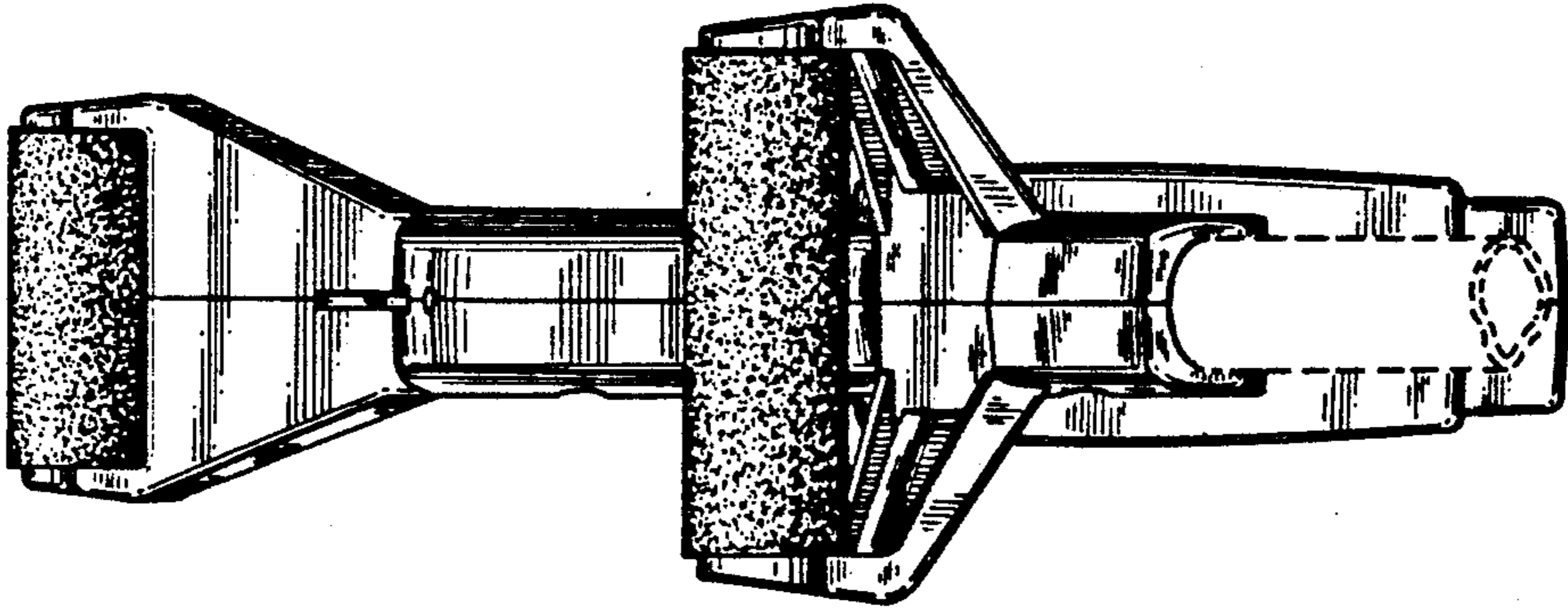


FIG. 5

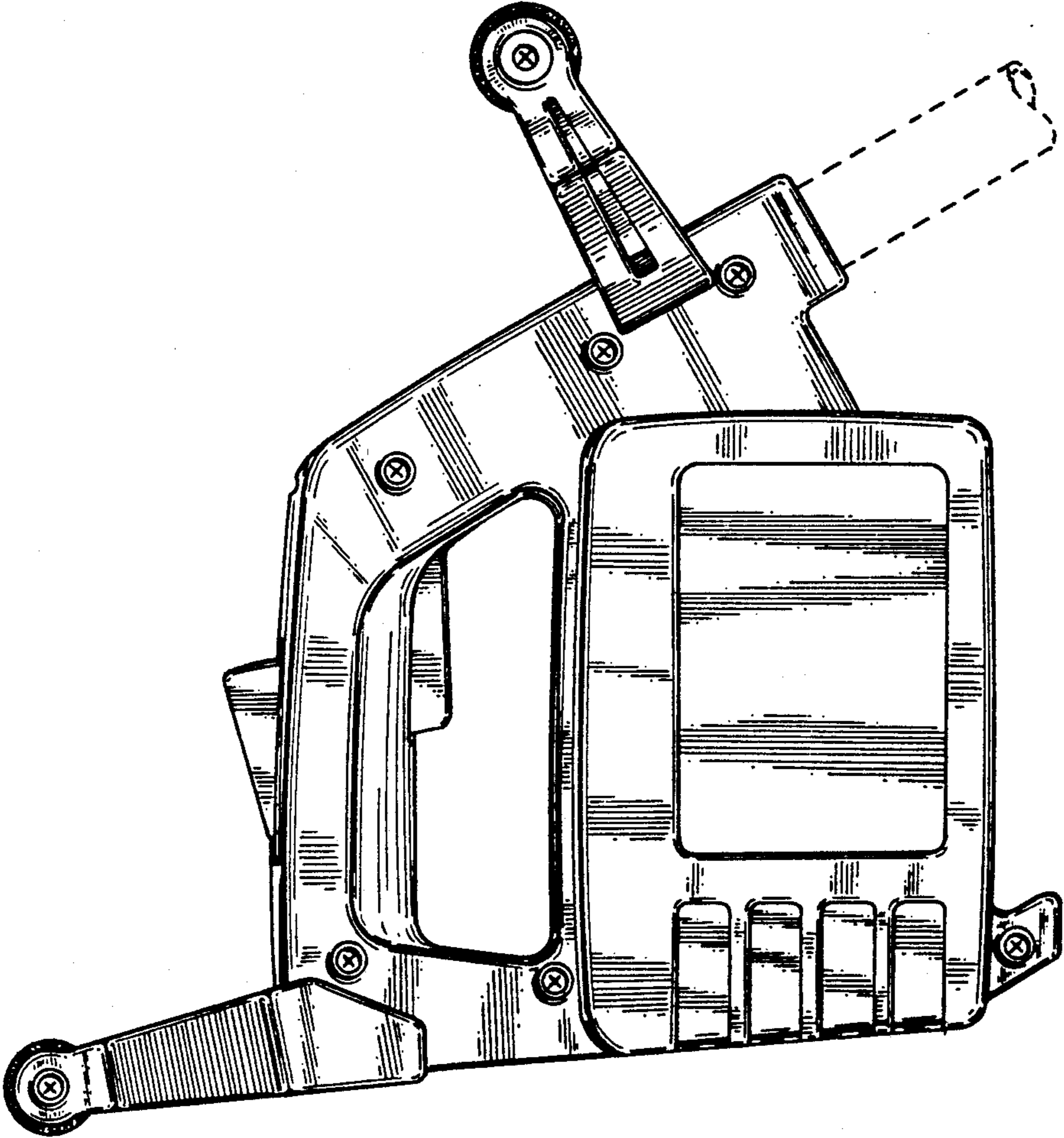


FIG. 4

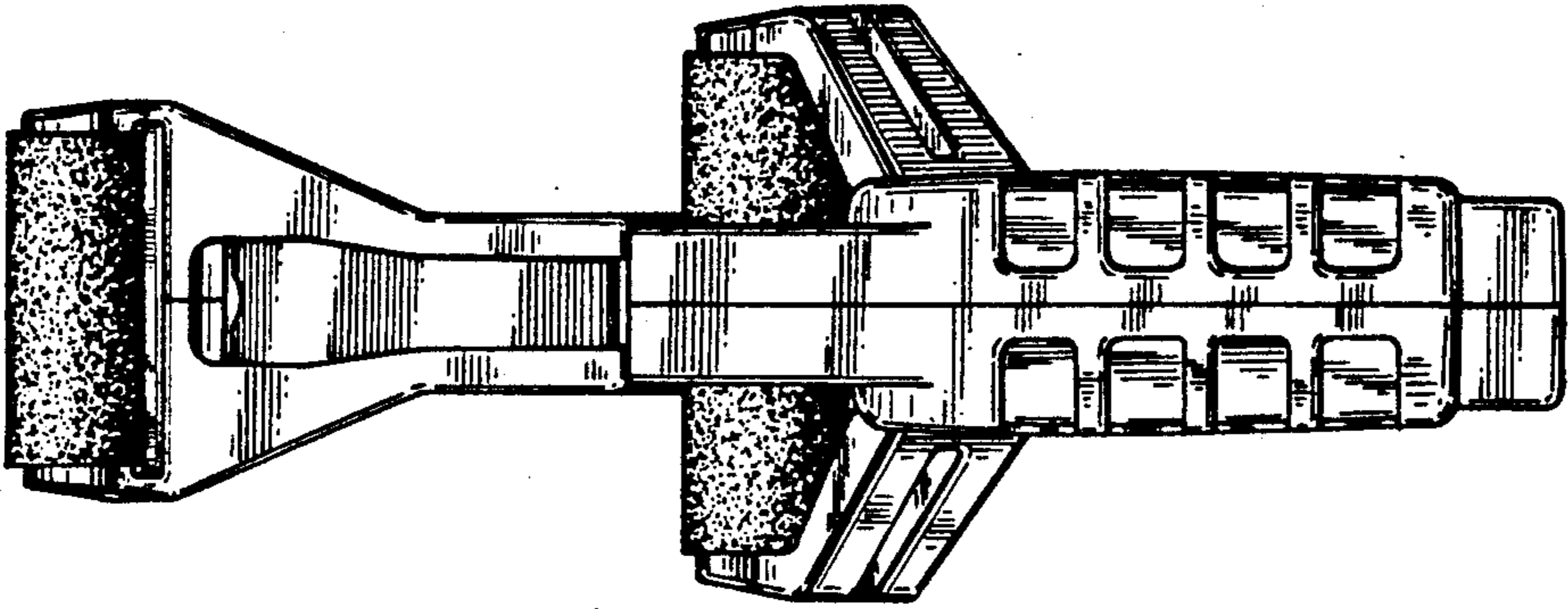


FIG. 3

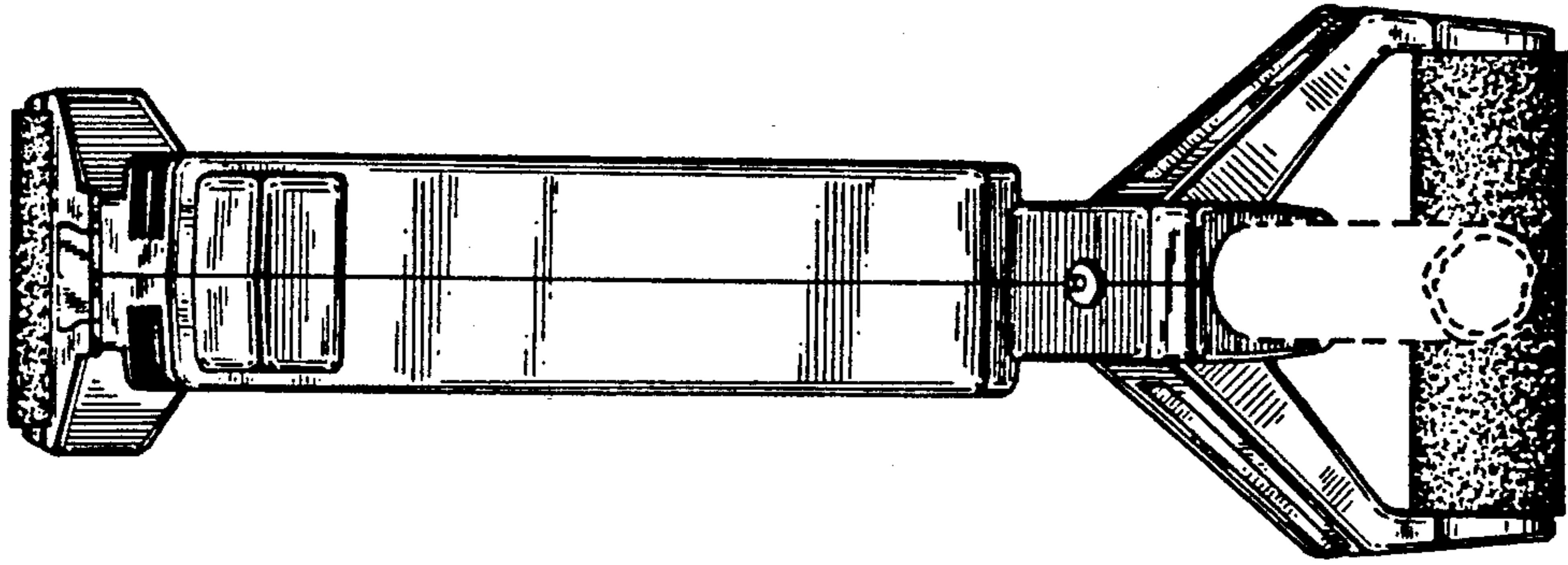


FIG. 7

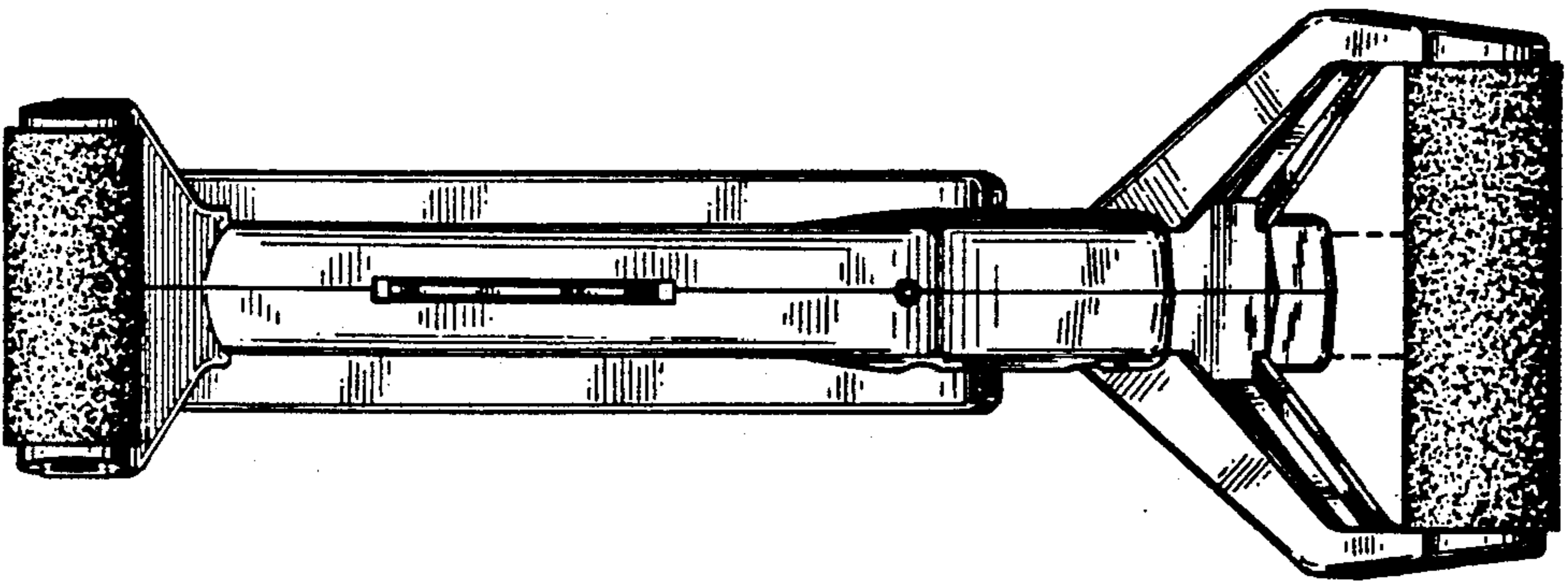


FIG. 6