



US00D338675S

# United States Patent [19]

[11] Patent Number: **Des. 338,675**

Wharton et al.

[45] Date of Patent: **\*\* Aug. 24, 1993**

## [54] TELEPHONE MOUTHPIECE COVER

[76] Inventors: **Donald Wharton; Mary A. Collado**, both of 5411 N. Monitor, Chicago, Ill. 60630

[\*\*] Term: **14 Years**

[21] Appl. No.: **506,872**

[22] Filed: **Apr. 10, 1990**

[52] U.S. Cl. .... **D14/250**

[58] Field of Search ..... **D14/249, 240, 249, 151; 379/439; D3/7, 50; D7/608, 538, 511**

## [56] References Cited

### U.S. PATENT DOCUMENTS

D. 283,128	3/1986	Bate .....	D14/249
D. 305,027	12/1989	Catey et al. ....	D14/249
D. 307,753	5/1990	Oliver .....	D14/249
2,344,023	3/1944	Carlisle et al. ....	D14/249
2,475,303	7/1949	Allen et al. ....	D14/248 X
2,520,416	8/1950	Lewis .....	379/439
2,607,862	8/1952	Panken .....	179/185
3,243,527	3/1966	Sternheim .....	D14/240 X
3,272,927	9/1966	Peeples .....	D14/240 X
3,304,379	2/1967	Memmel .....	179/185
4,486,628	12/1984	Thompson .....	379/439
4,570,038	2/1986	Tinelli .....	179/185

Primary Examiner—Susan J. Lucas  
Attorney, Agent, or Firm—Terry M. Gernstein

## [57] CLAIM

The ornamental design for a telephone mouthpiece cover, as shown and described.

## DESCRIPTION

FIG. 1 is a top perspective view of the telephone mouthpiece cover of my new design in assembled condition;

FIG. 2 is a side elevational view thereof;

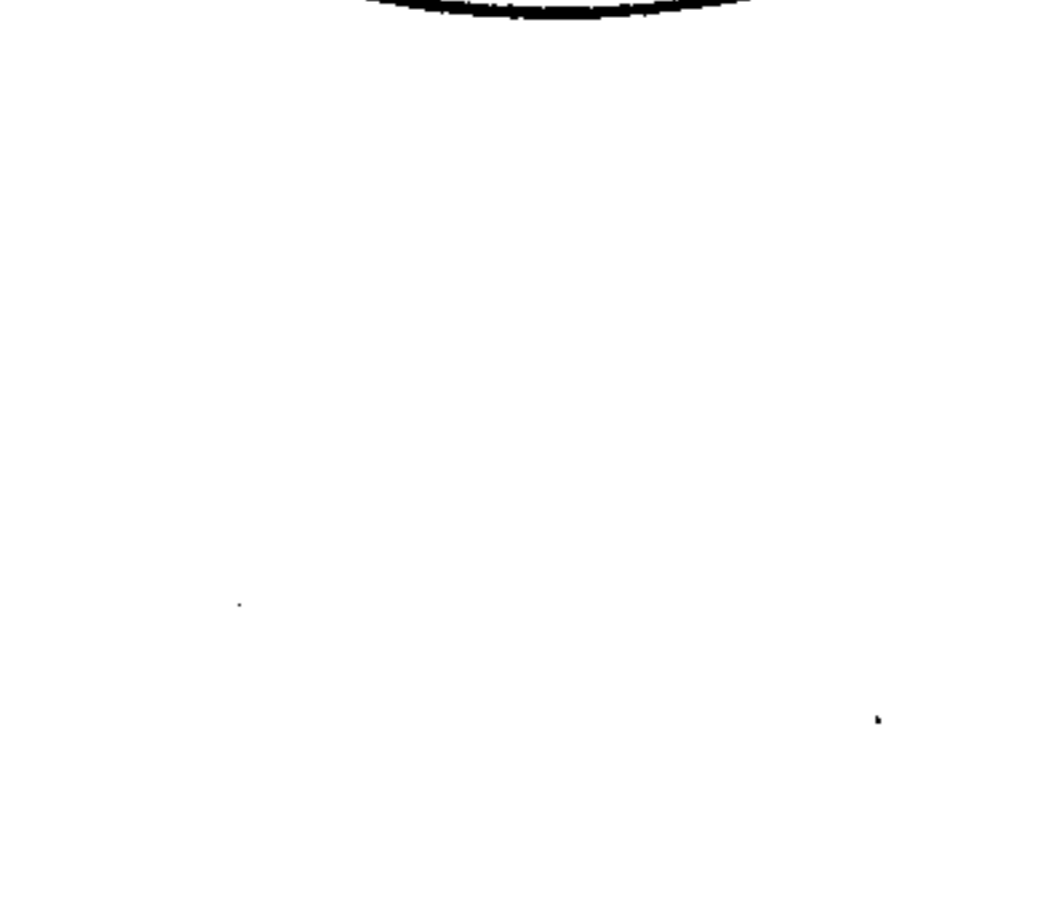
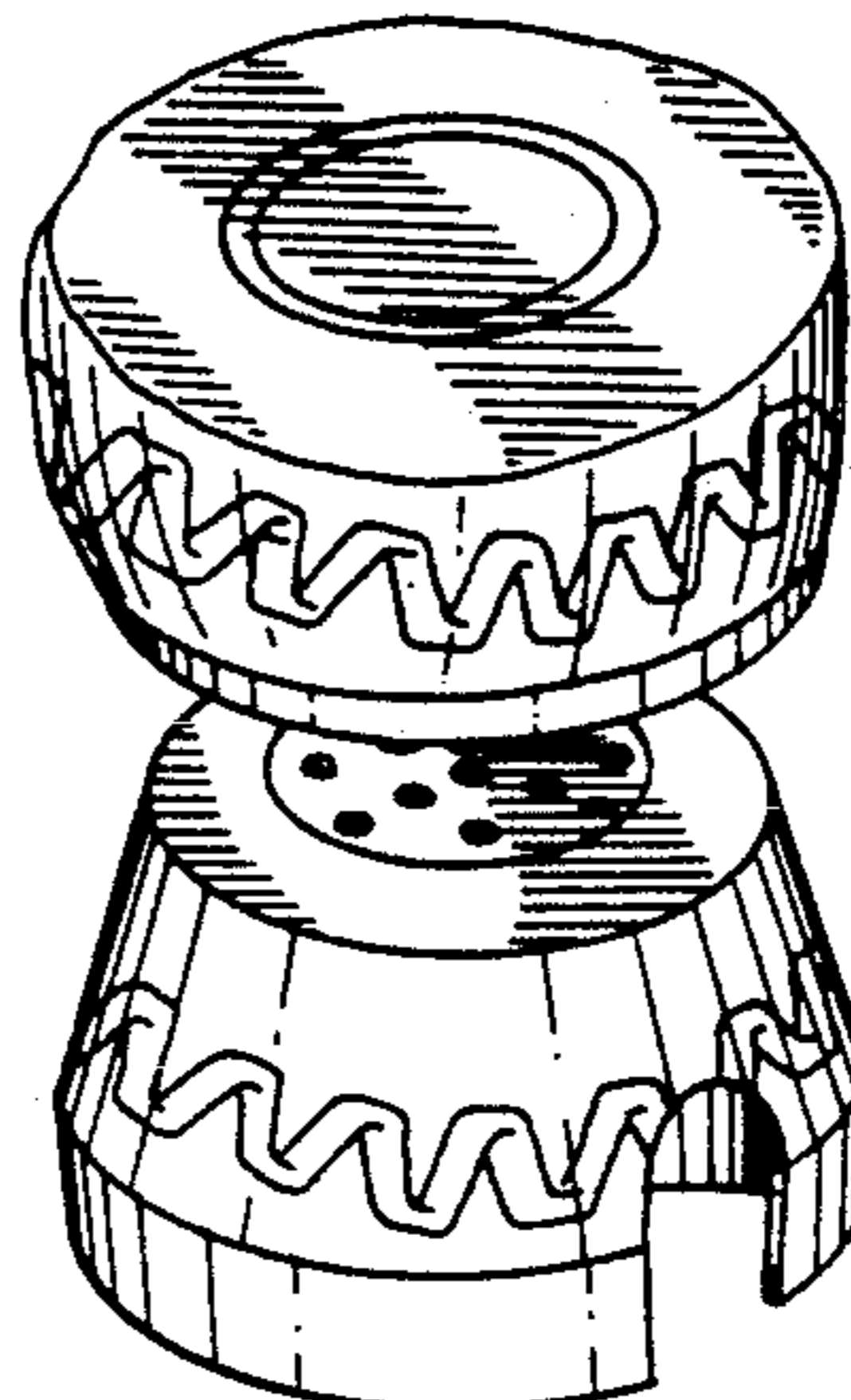
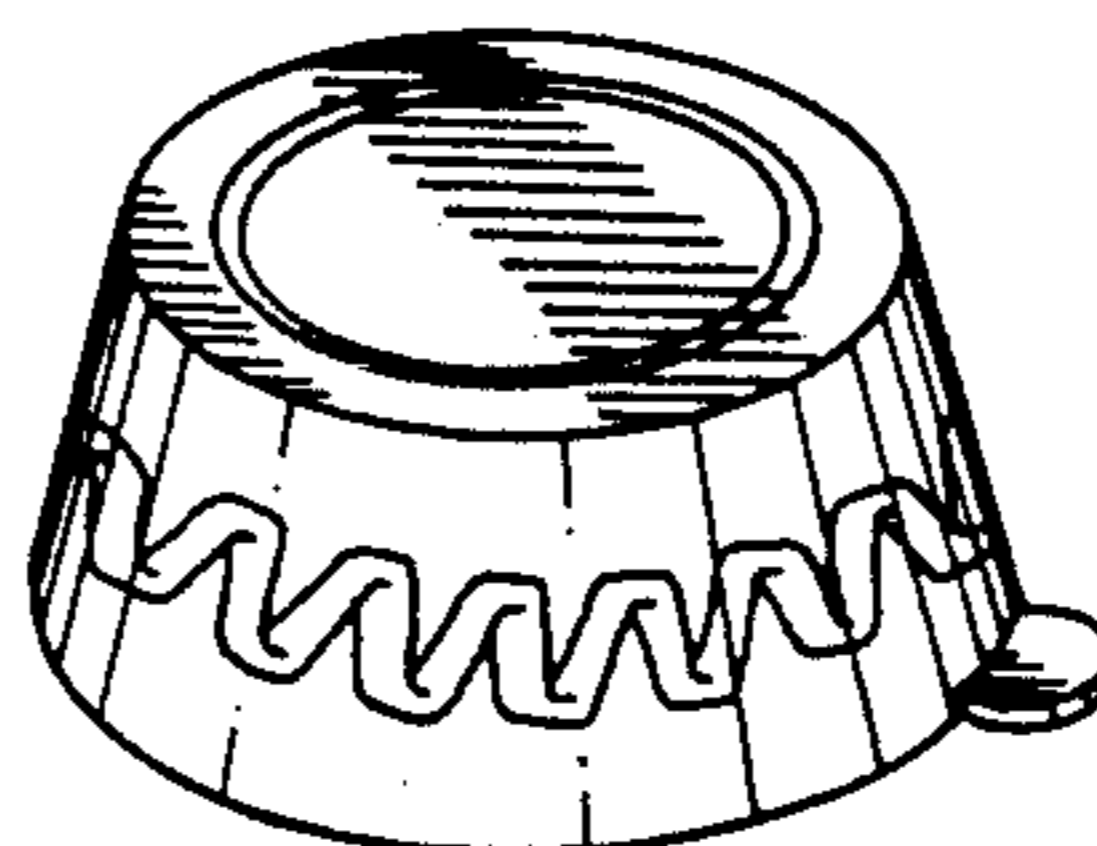
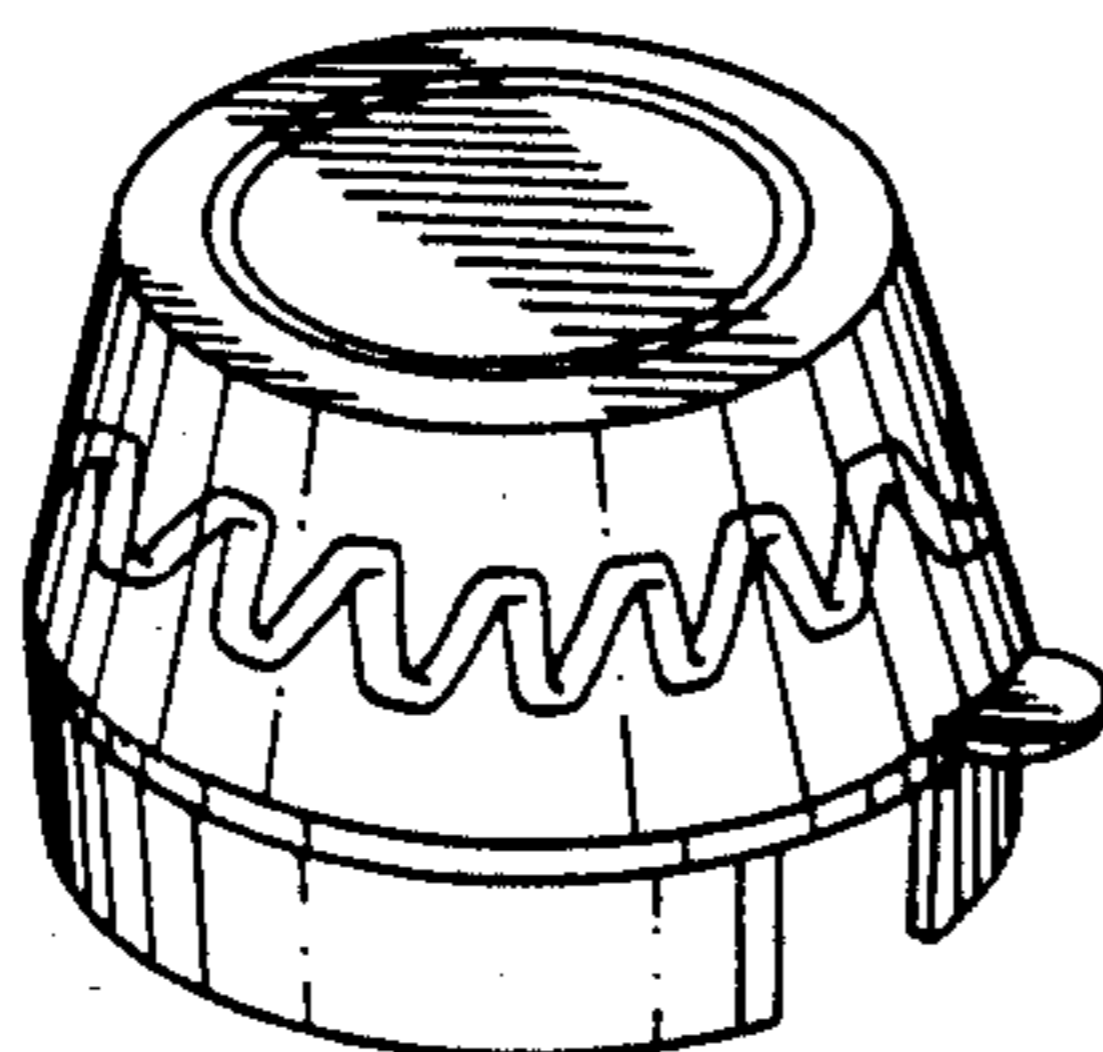
FIGS. 3, 4, 5 and 6 are respectively top perspective, side elevational, top plan, and bottom perspective views of a first portion of the mouth piece cover, the other portions being omitted for purposes of disclosure;

FIGS. 7, 8, and 9 are respectively top plan, side elevational, and enlarged top plan (the bottom being identical) views of a second portion of the mouth piece cover, the other portions being omitted for purposes of disclosure;

FIGS. 10, 11, 12, and 13 are respectively top perspective, side elevational, top plan, and bottom perspective views of a third portion of the mouth piece cover, the other portions being omitted for purposes of disclosure;

FIGS. 14, 15, 16, and 17 are respectively top perspective, enlarged side elevational, enlarged top plan, and bottom perspective views of a fourth portion of the mouth piece cover, the other portions being omitted for purposes of disclosure; and,

FIG. 18 is an exploded view of the telephone mouthpiece cover of my design.



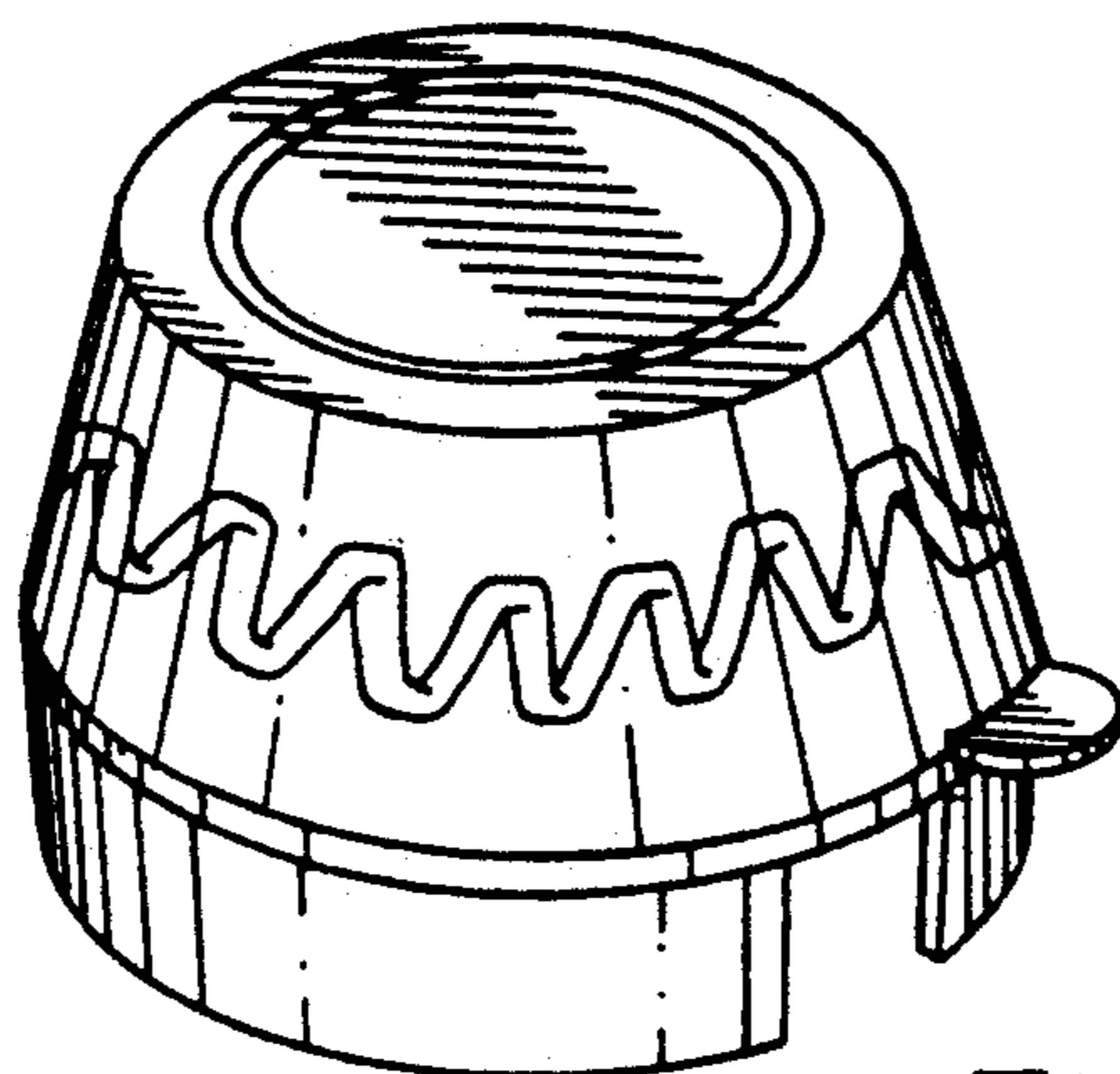
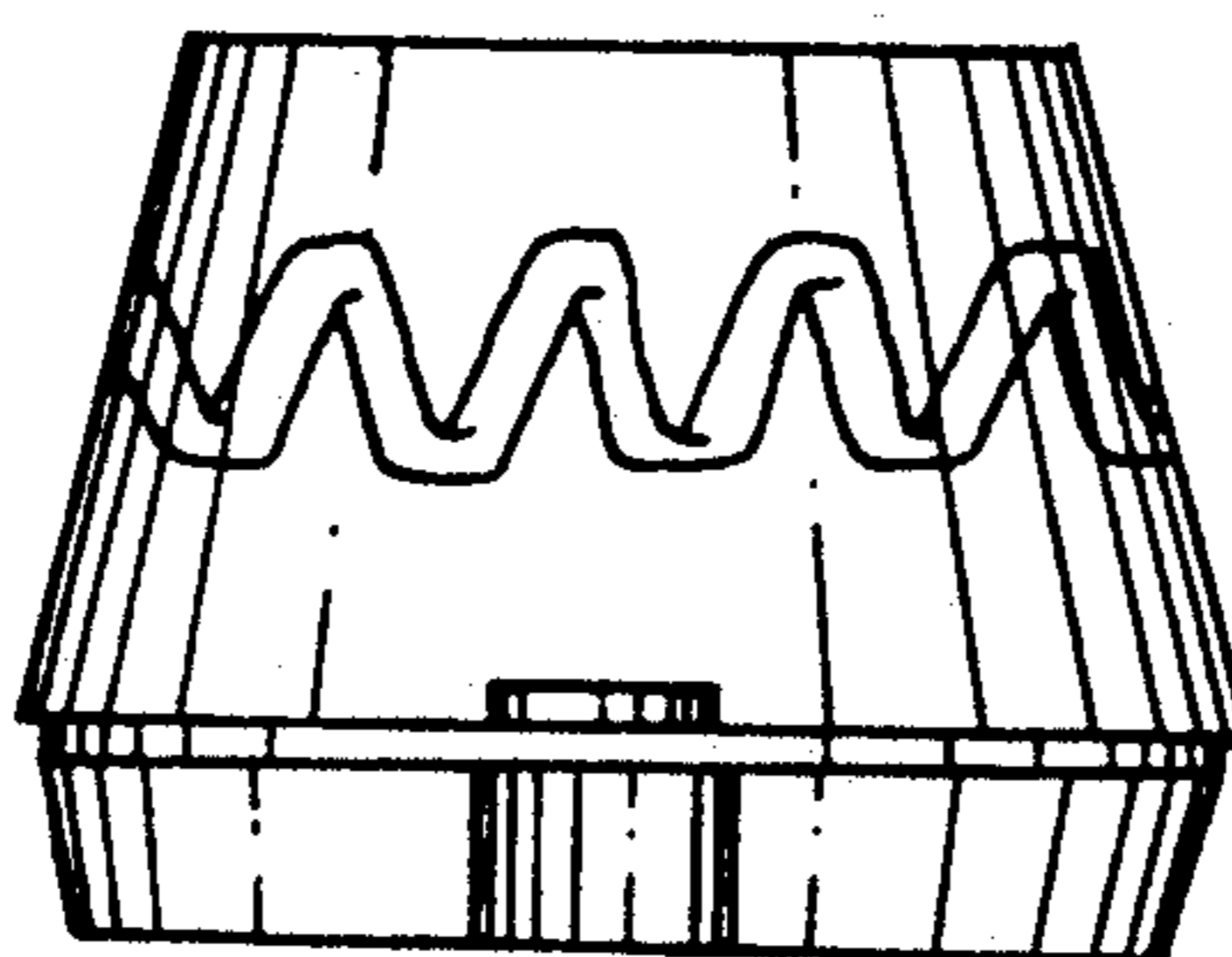


FIG. 1.

FIG. 2.



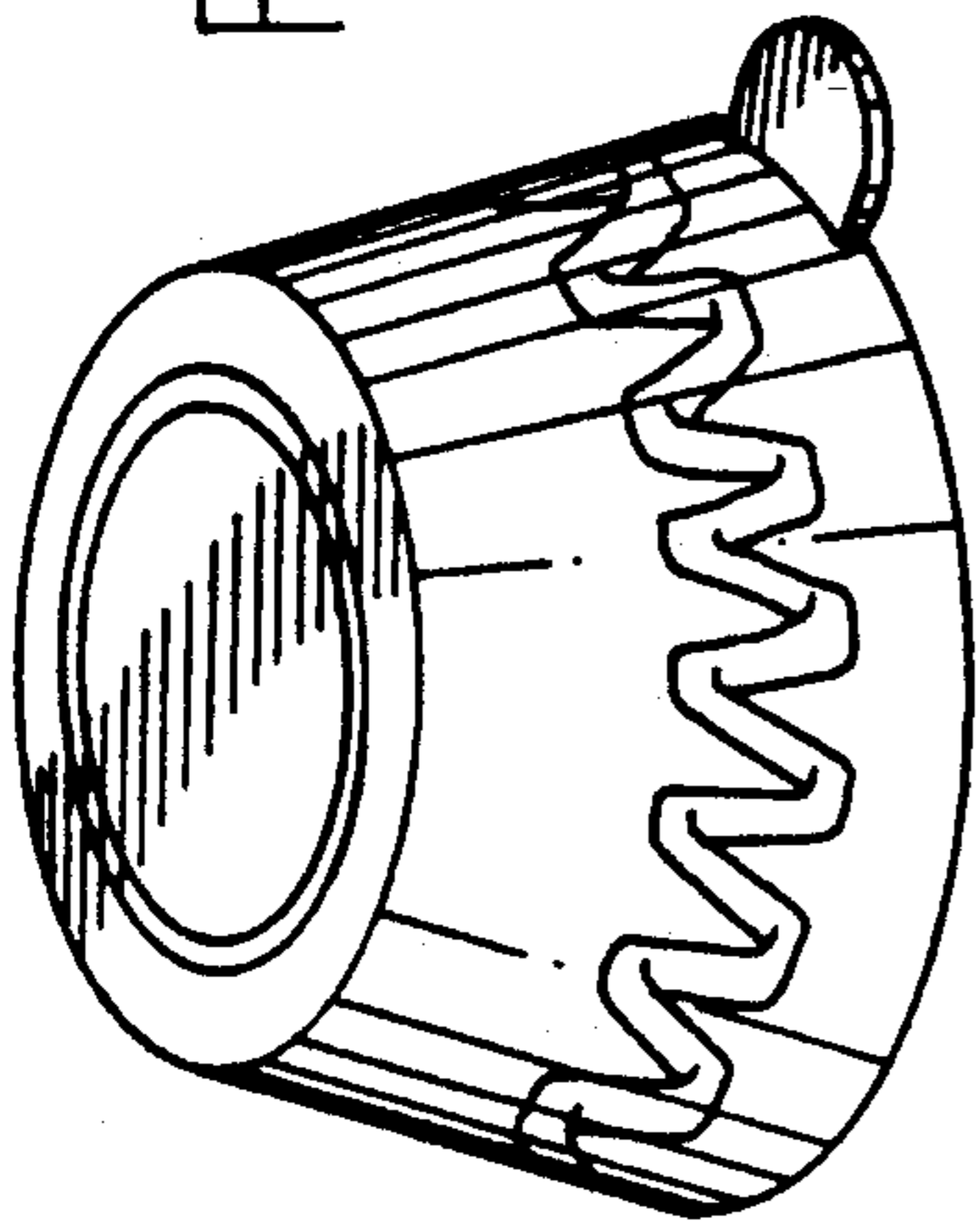


FIG. 3.

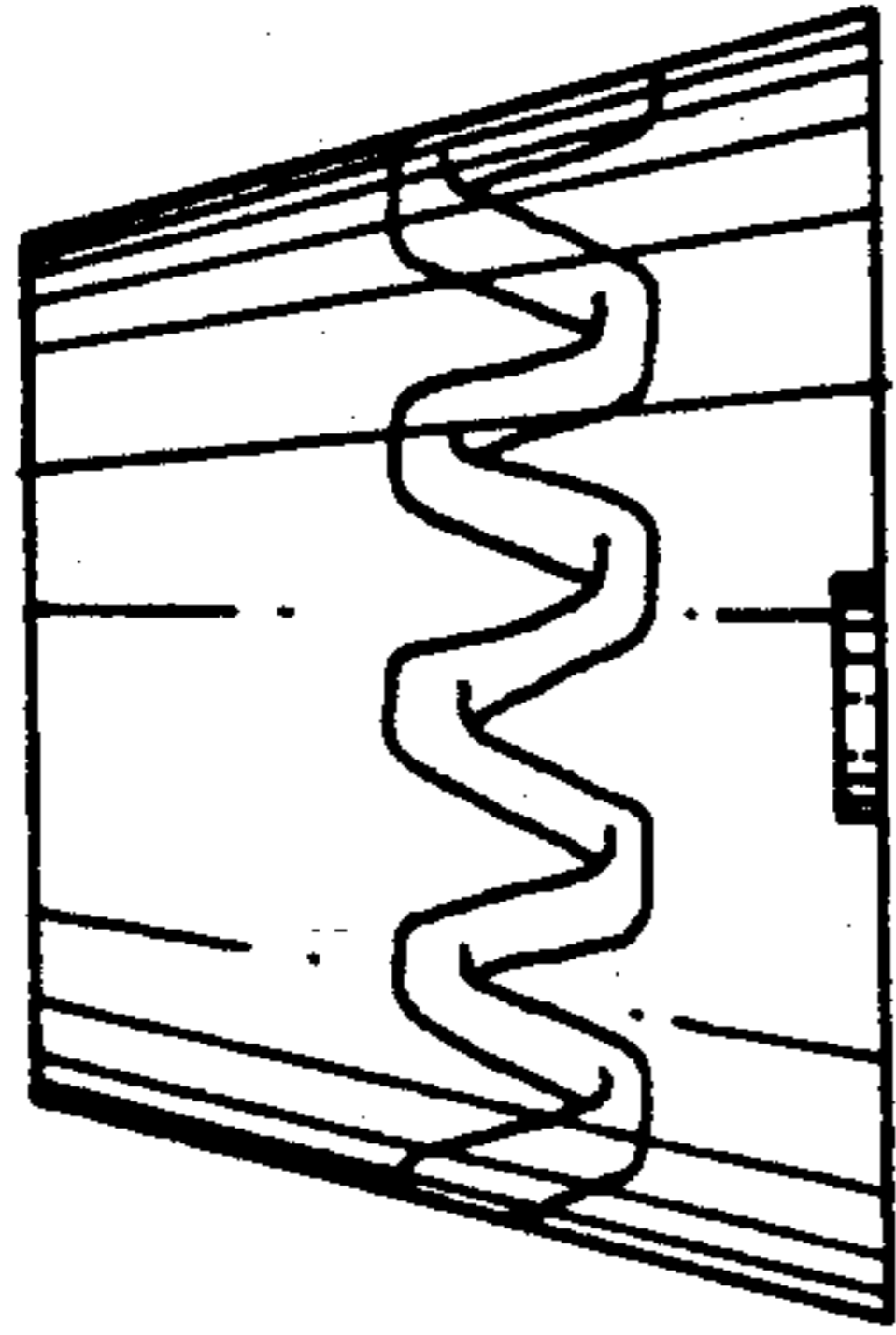


FIG. 4.

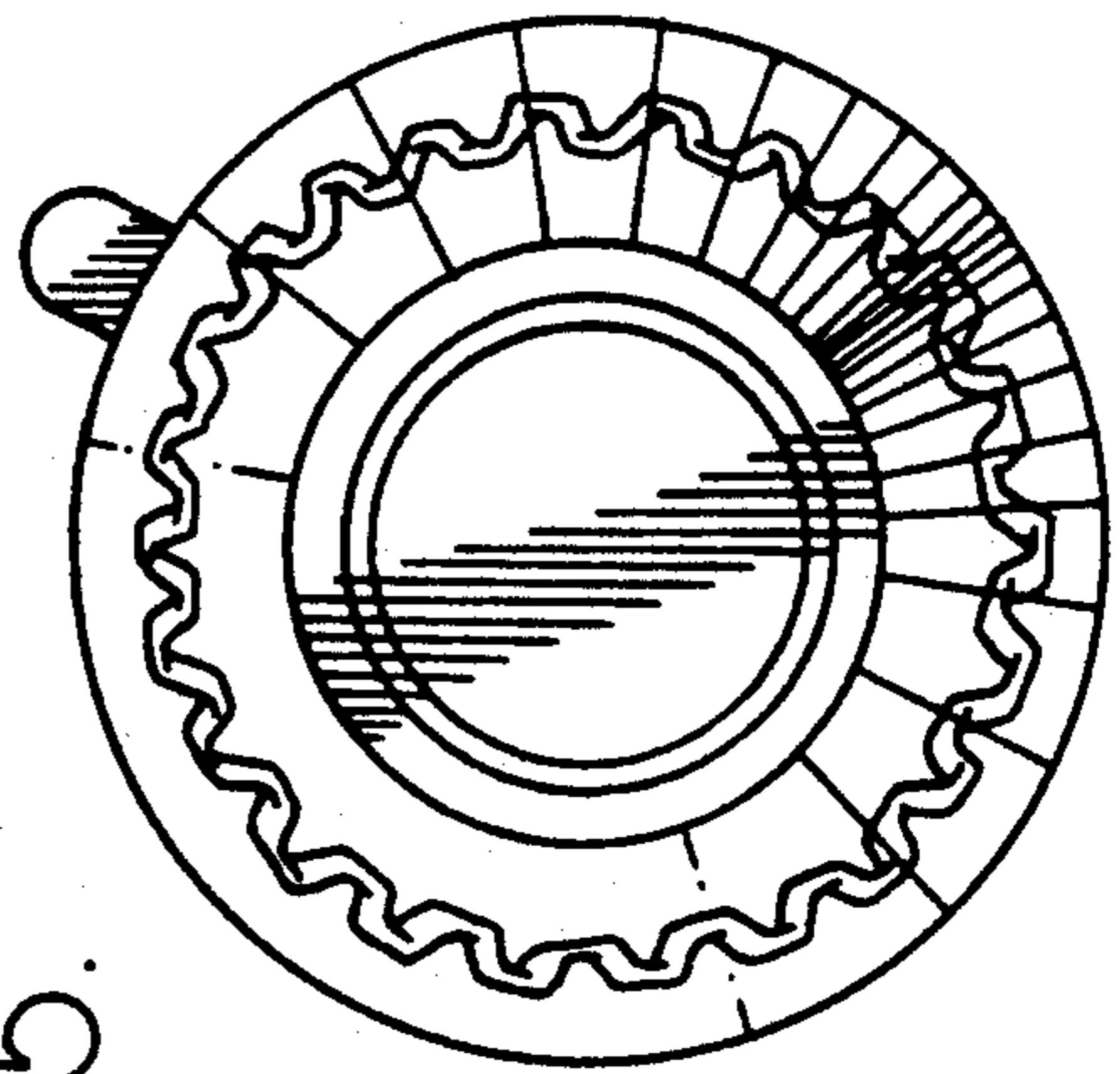


FIG. 5.

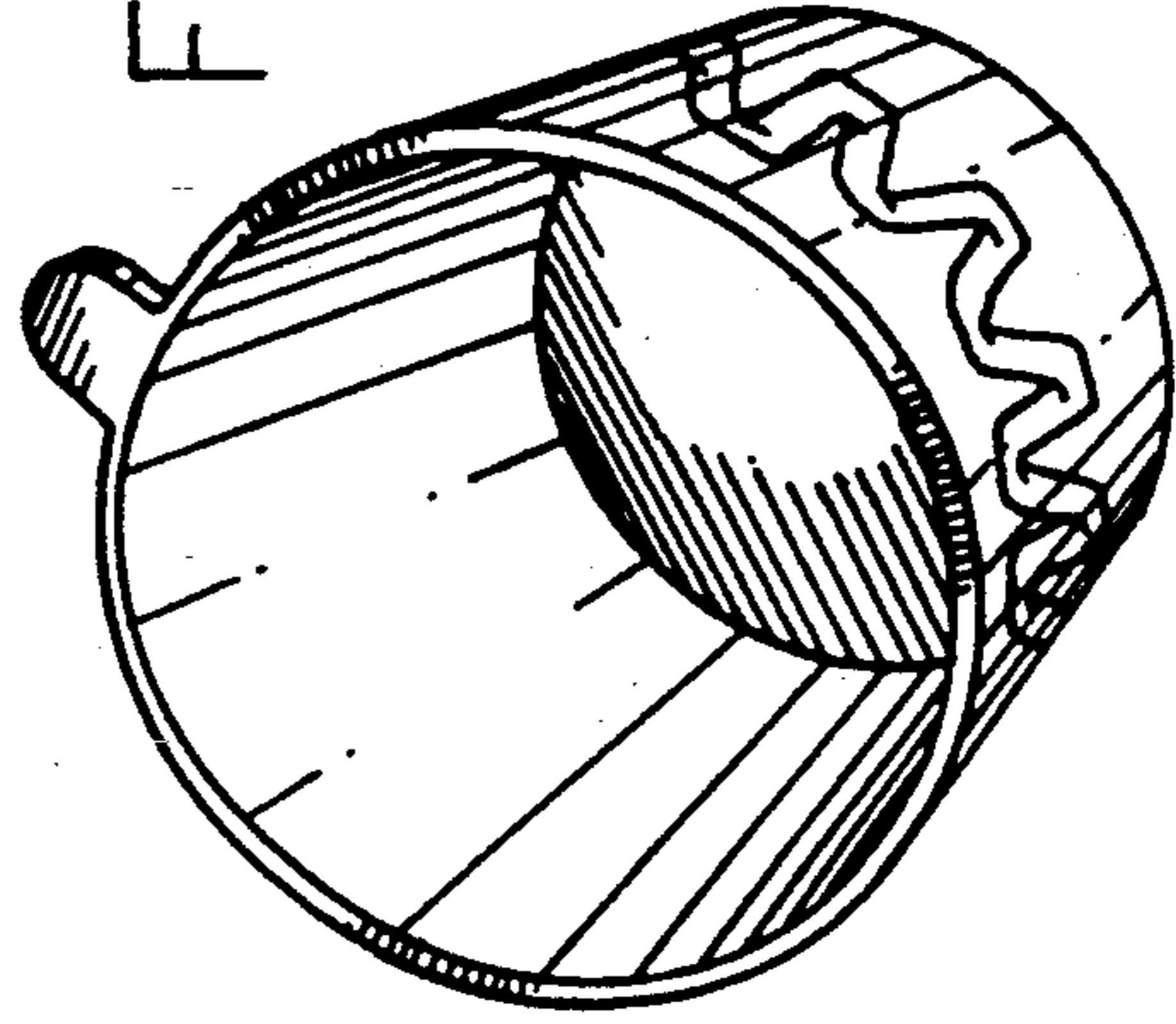


FIG. 6.

FIG. 7.

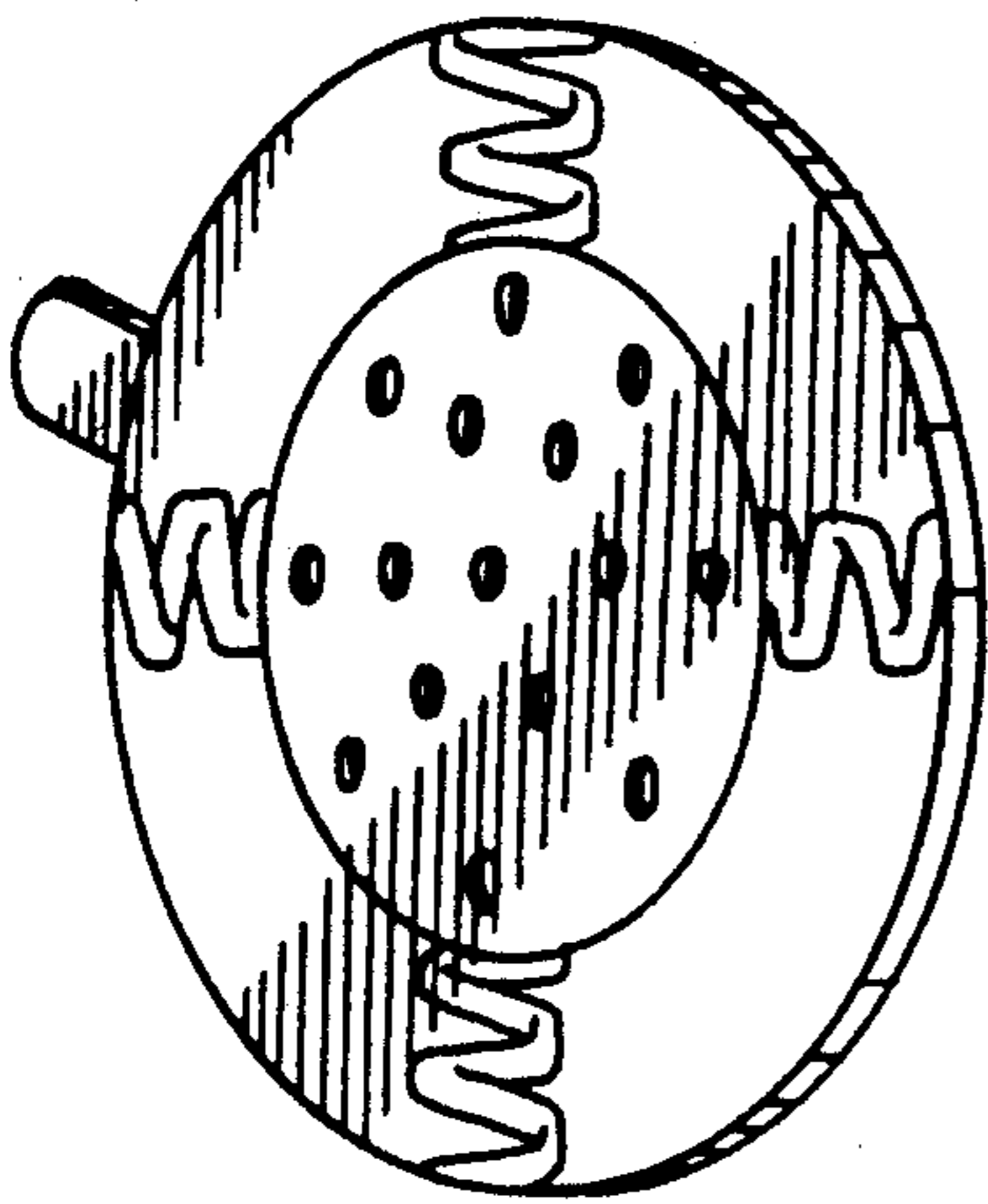


FIG. 9.

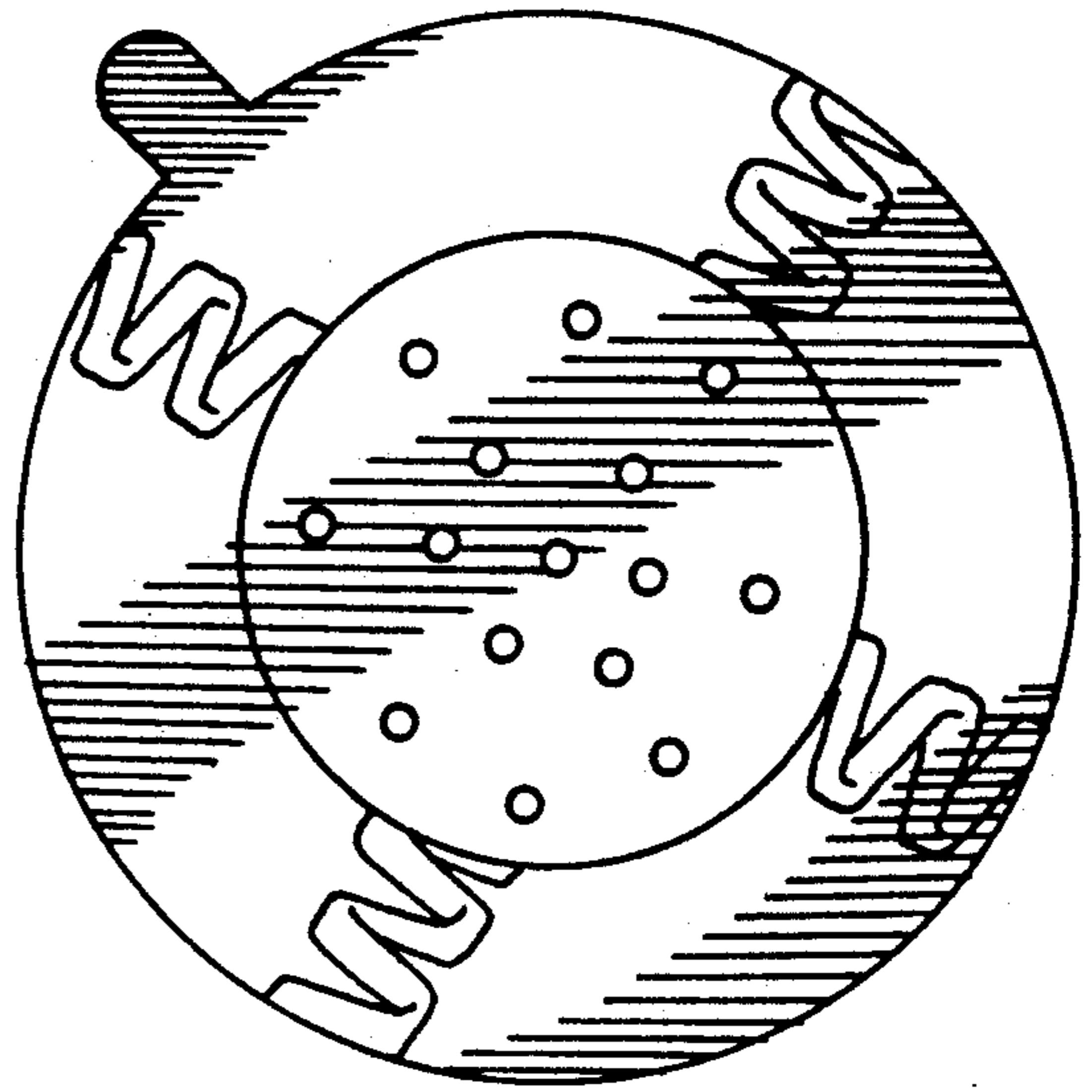


FIG. 8



FIG.10.

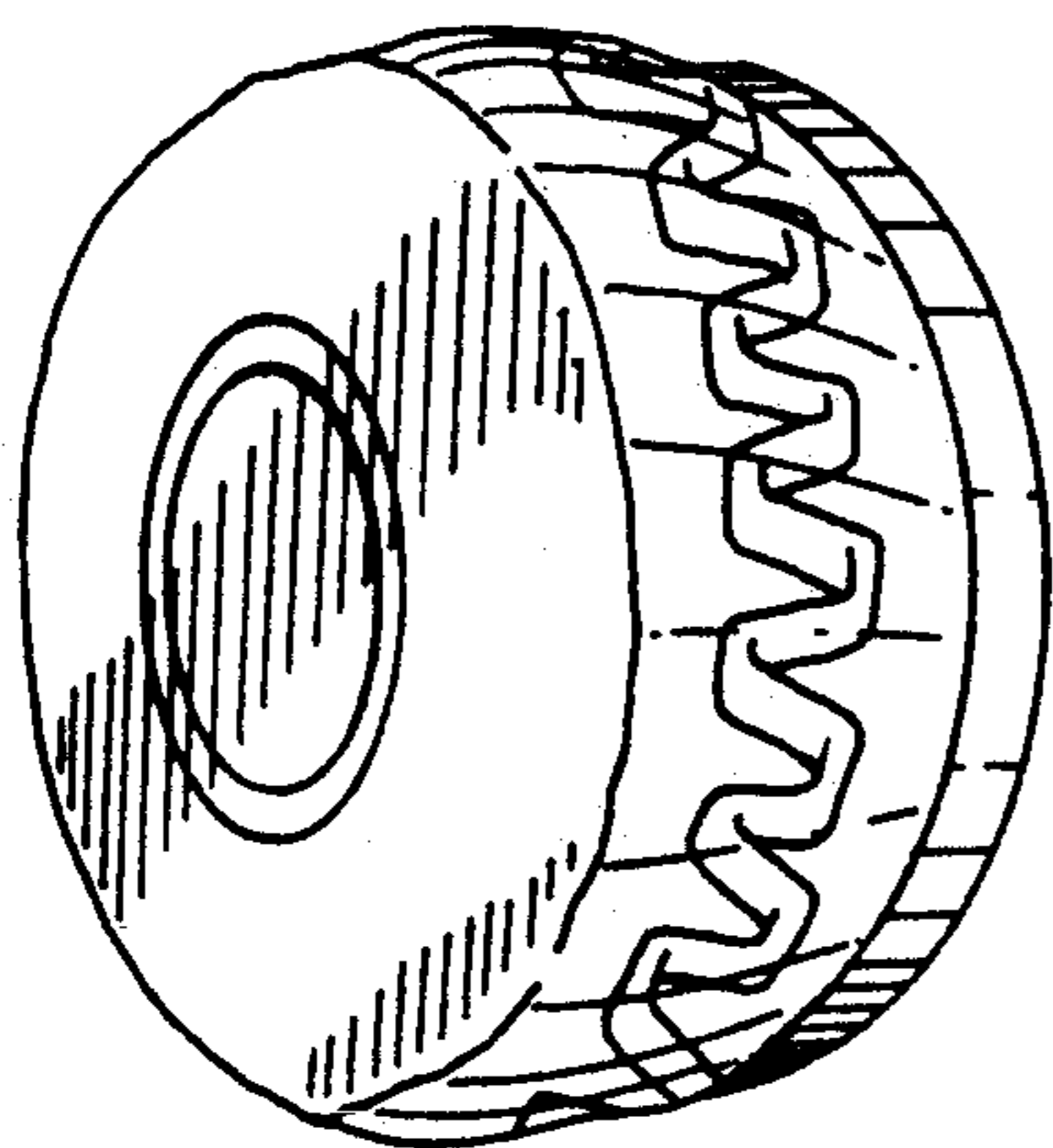


FIG.11.

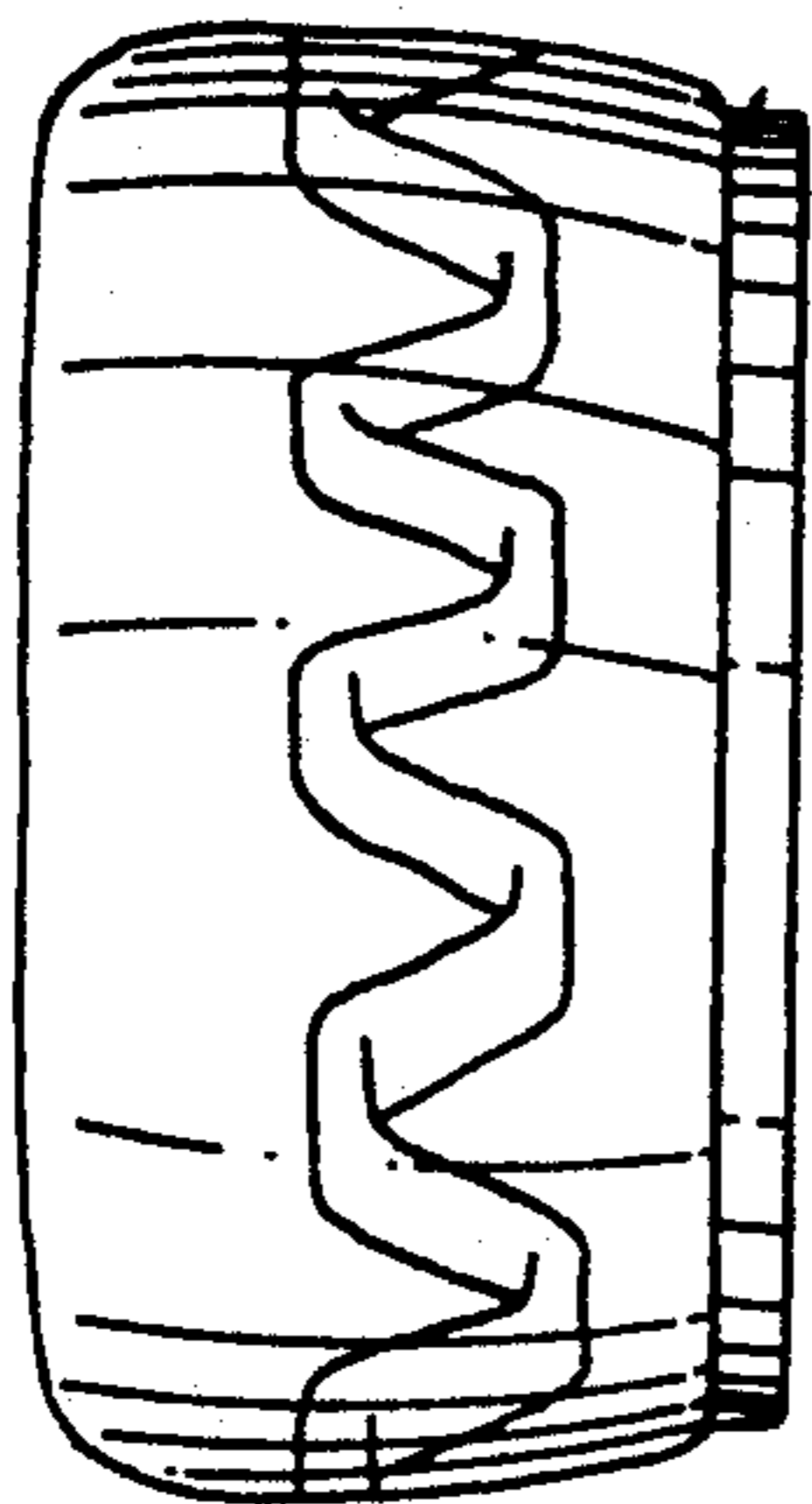


FIG.12.

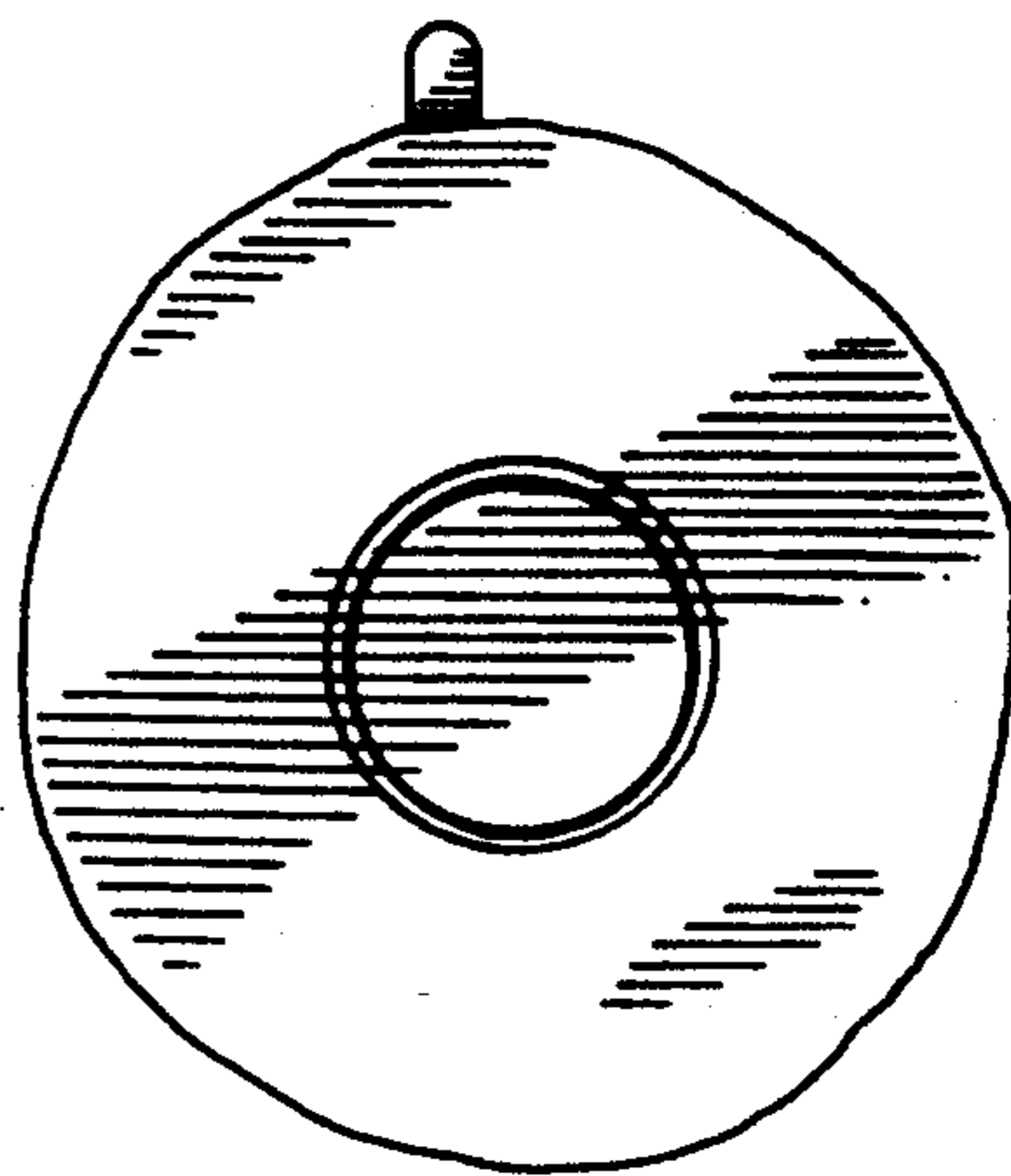


FIG.13.

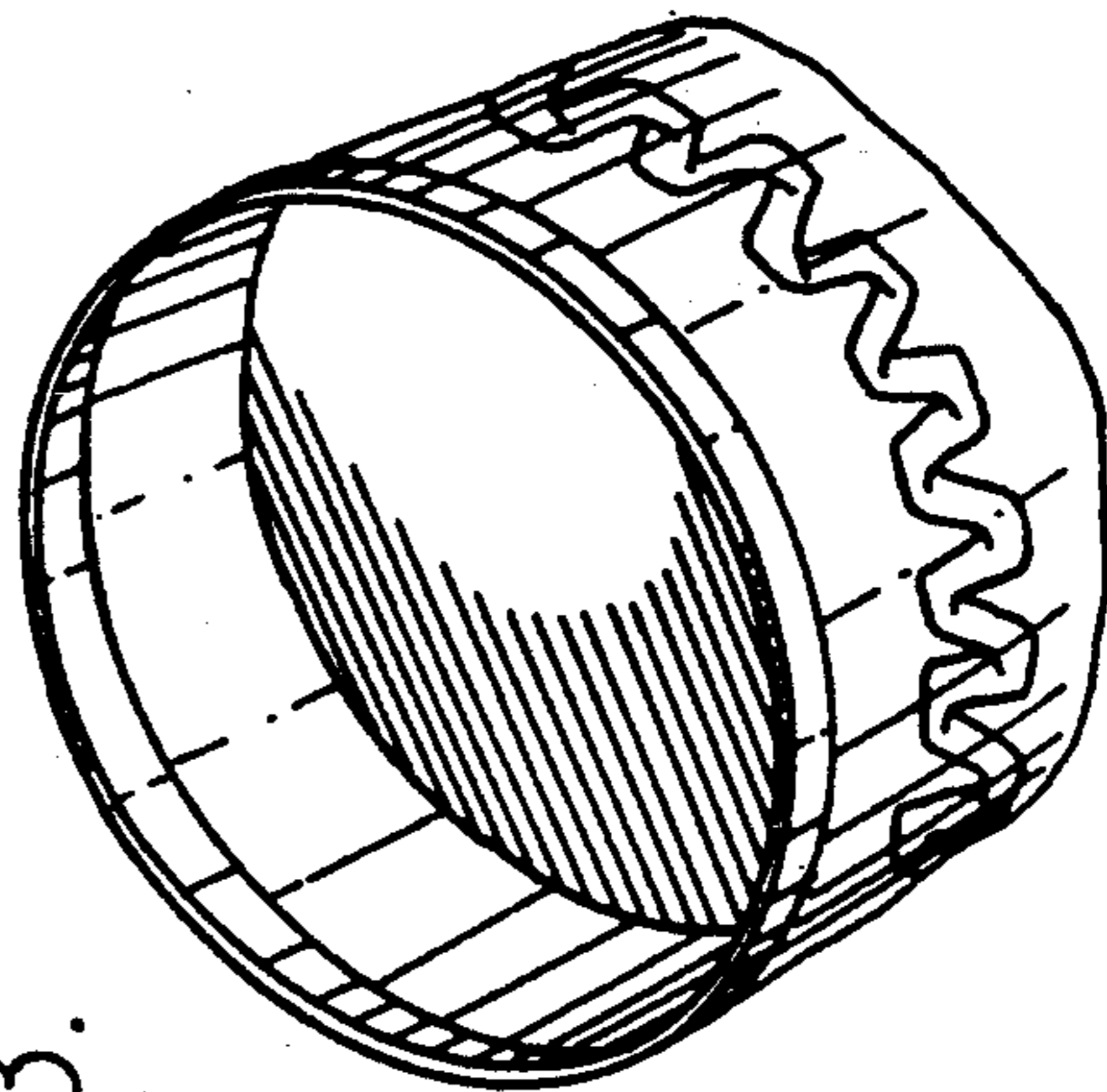


FIG.14.

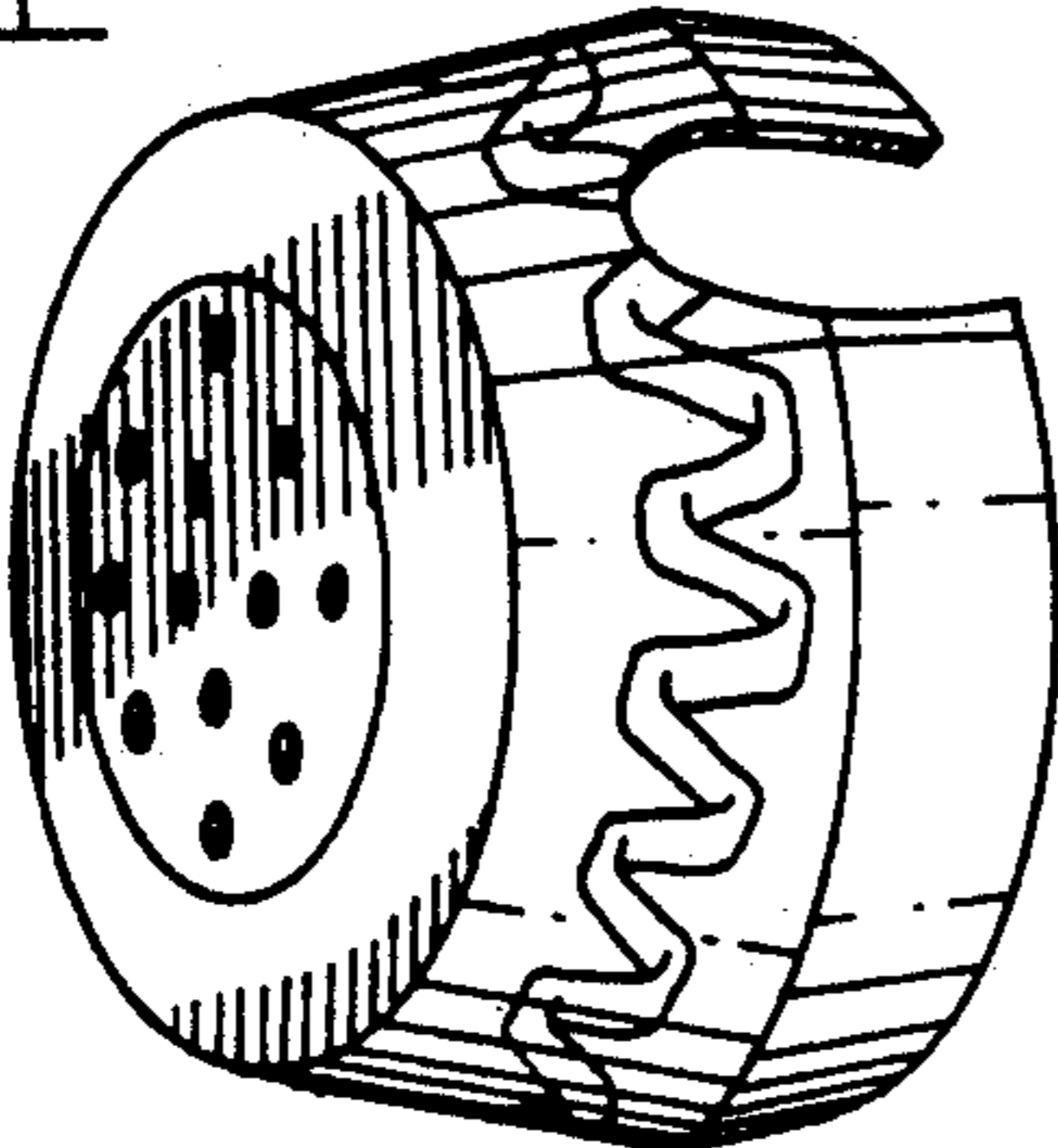


FIG.15.

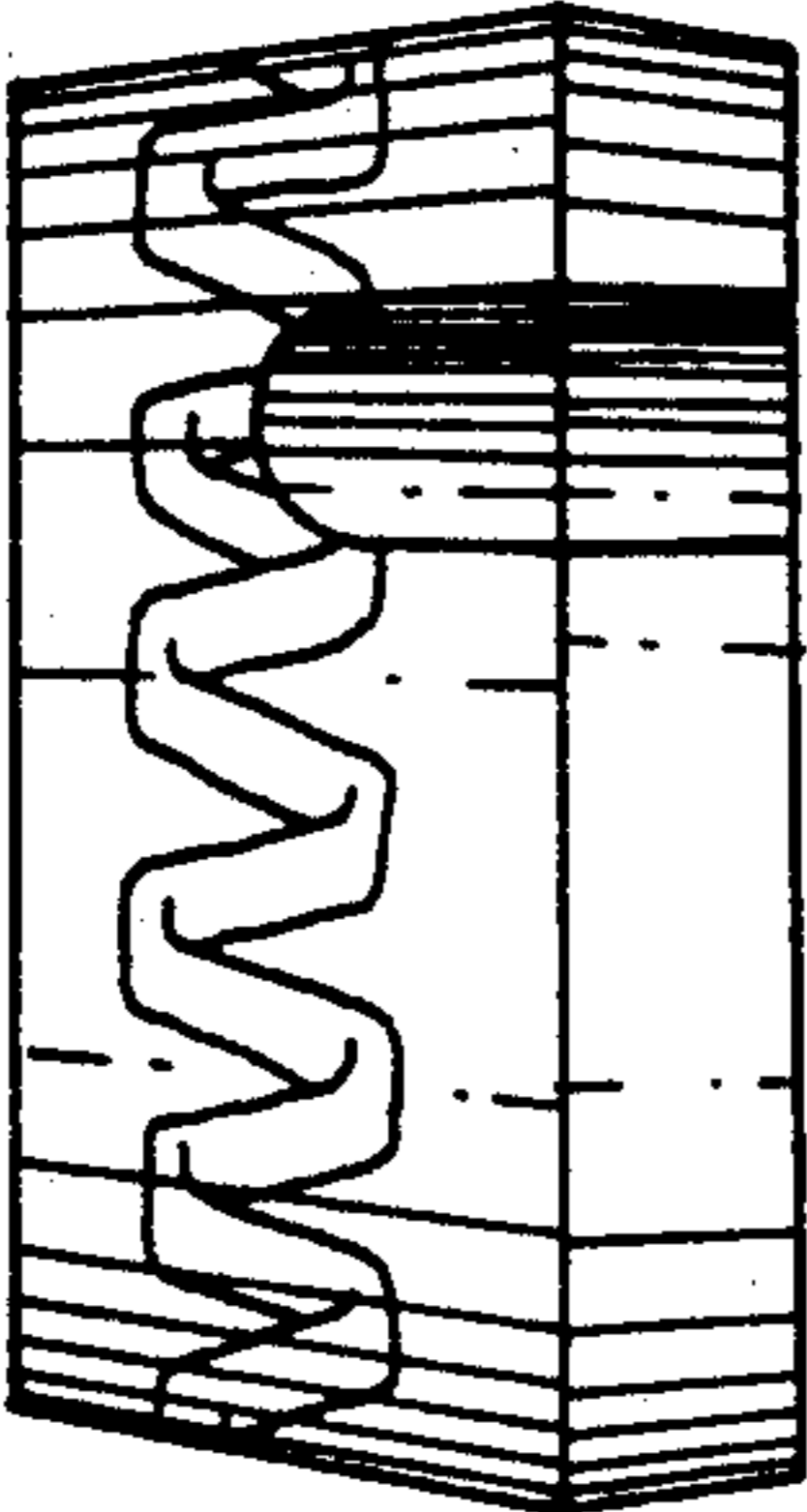


FIG.16.

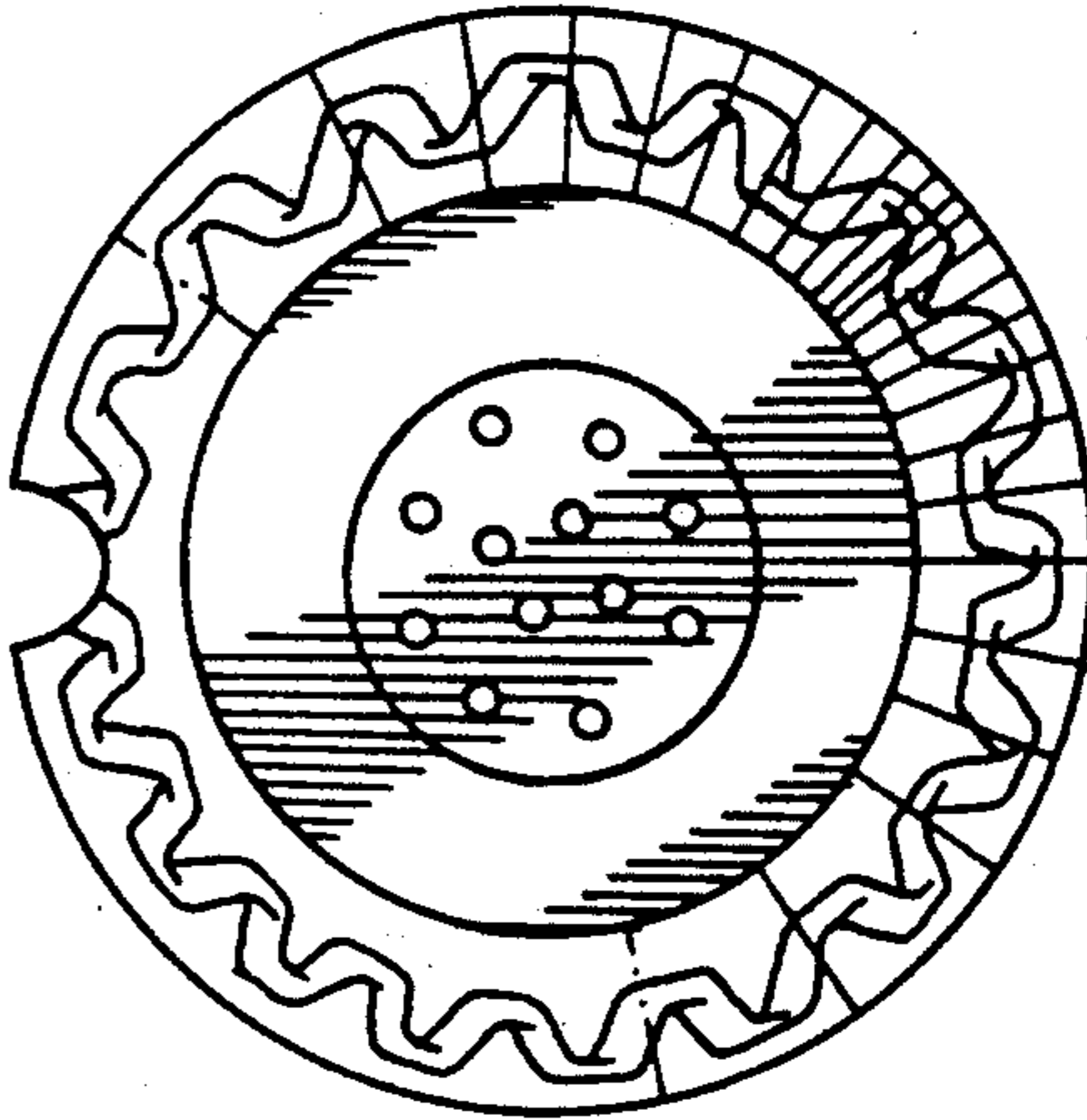


FIG.17.

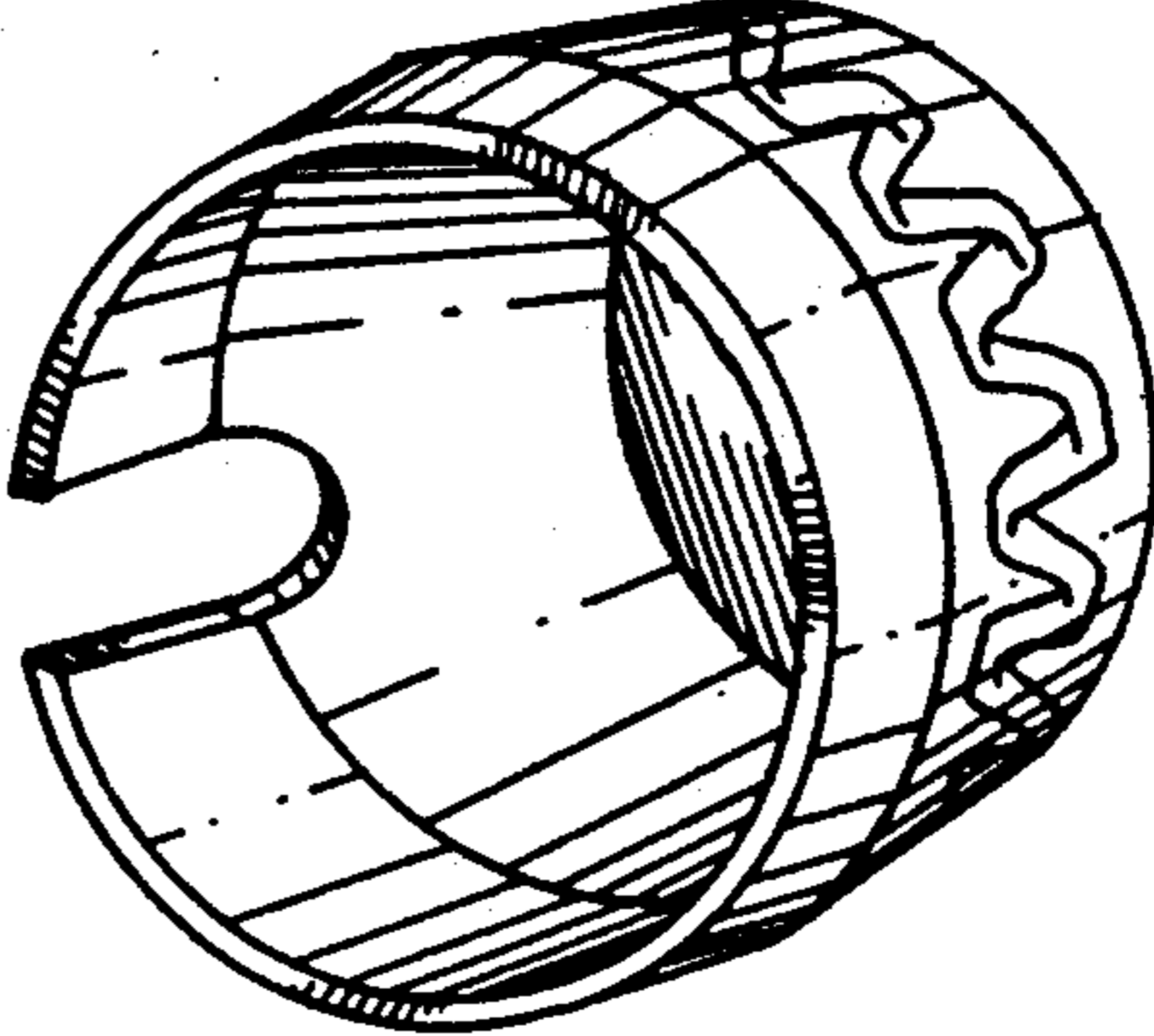


FIG. 18.

