



US00D338668S

United States Patent [19]

[11] Patent Number: **Des. 338,668**

Saito et al.

[45] Date of Patent: **** Aug. 24, 1993**

[54] **COMBINED COMPUTER GAME AND TELEVISION SET**

D. 310,363 9/1990 Shim D14/129
D. 310,522 9/1990 Yang D14/129
D. 324,517 3/1992 Barbieri D14/126 X

[75] Inventors: **Tomitaro Saito; Harumi Sakamoto,**
both of Tochigi, Japan

Primary Examiner—Theodore M. Shooman
Attorney, Agent, or Firm—Nixon & Vanderhye

[73] Assignee: **Sharp Kabushiki Kaisha, Osaka,**
Japan

[57] **CLAIM**

[**] Term: **14 Years**

The ornamental design for a combined computer game and television set, as shown and described.

[21] Appl. No.: **692,068**

DESCRIPTION

[22] Filed: **Apr. 26, 1991**

FIG. 1 is a top, front and right side perspective view of a combined computer game and television set according to the present invention;

[30] **Foreign Application Priority Data**

Oct. 31, 1990 [JP] Japan 2-36838

FIG. 2 is a view similar to FIG. 1 illustrating the television set with the control panel in an open condition and a remote controller attached to the television set;

[52] U.S. Cl. **D14/129**

[58] Field of Search D14/113, 124-134;
358/60, 237-239, 254-255

FIG. 3 is a top plan view of the television set illustrated in FIG. 1;

[56] **References Cited**

U.S. PATENT DOCUMENTS

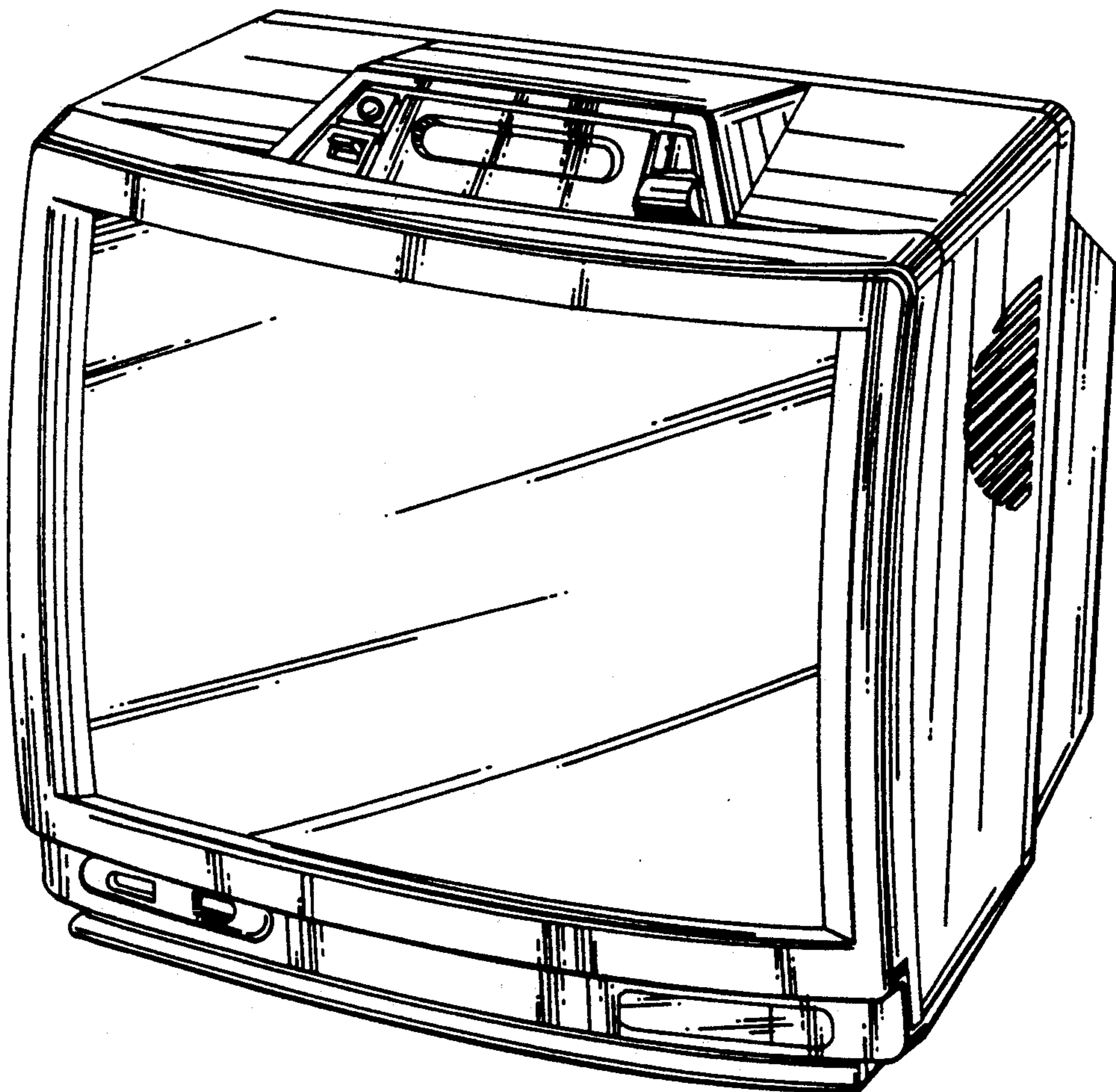
D. 260,263 2/1981 Shoji et al. D14/126
D. 298,322 11/1988 Shim D14/129
D. 306,856 3/1990 Shimose et al. D14/129

FIG. 4 is a front elevational view thereof;

FIGS. 5 and 6 are right and left side elevational views, respectively, thereof;

FIG. 7 is a rear elevational view thereof; and,

FIG. 8 is a bottom plan view thereof.



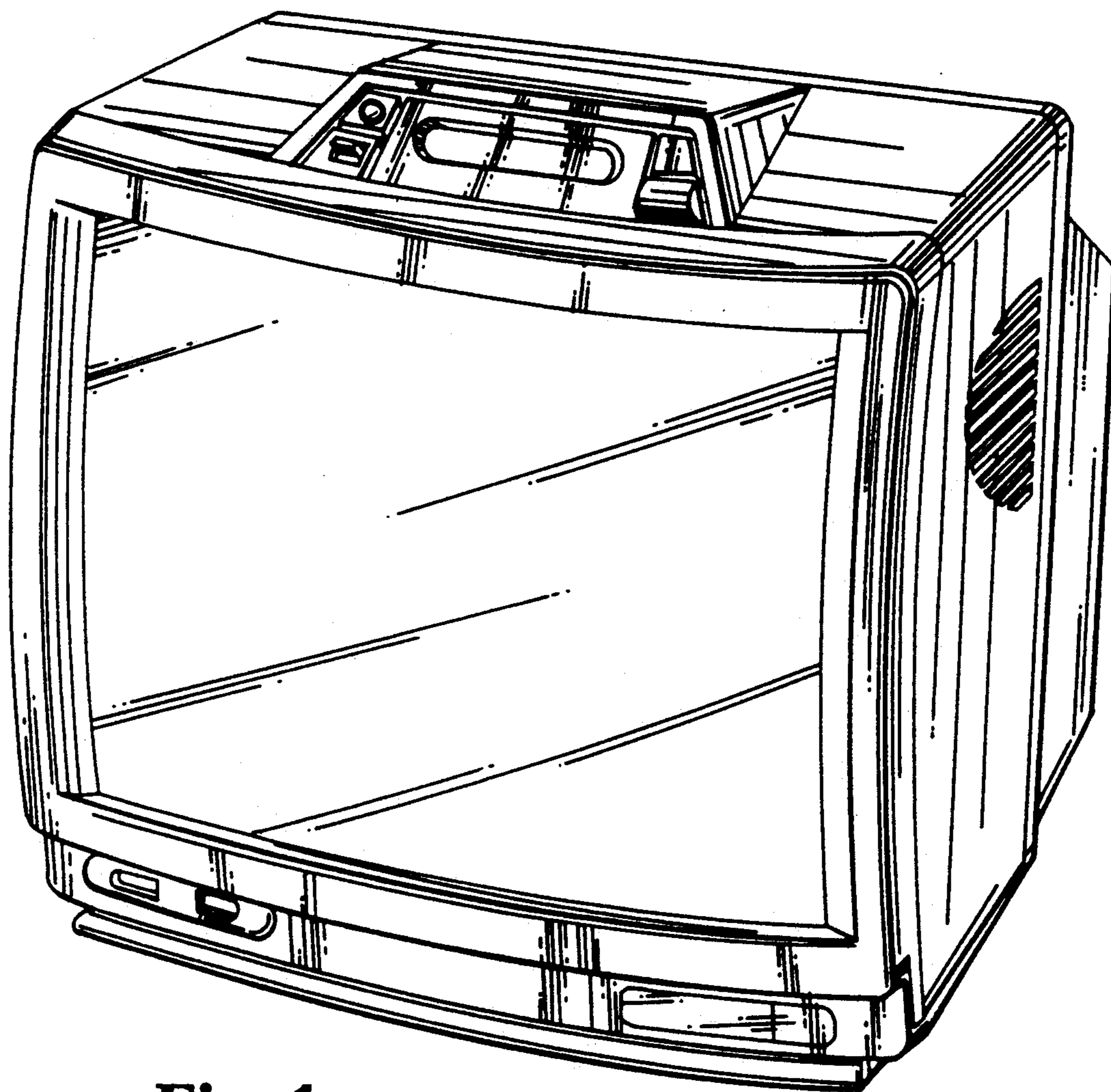


Fig. 1

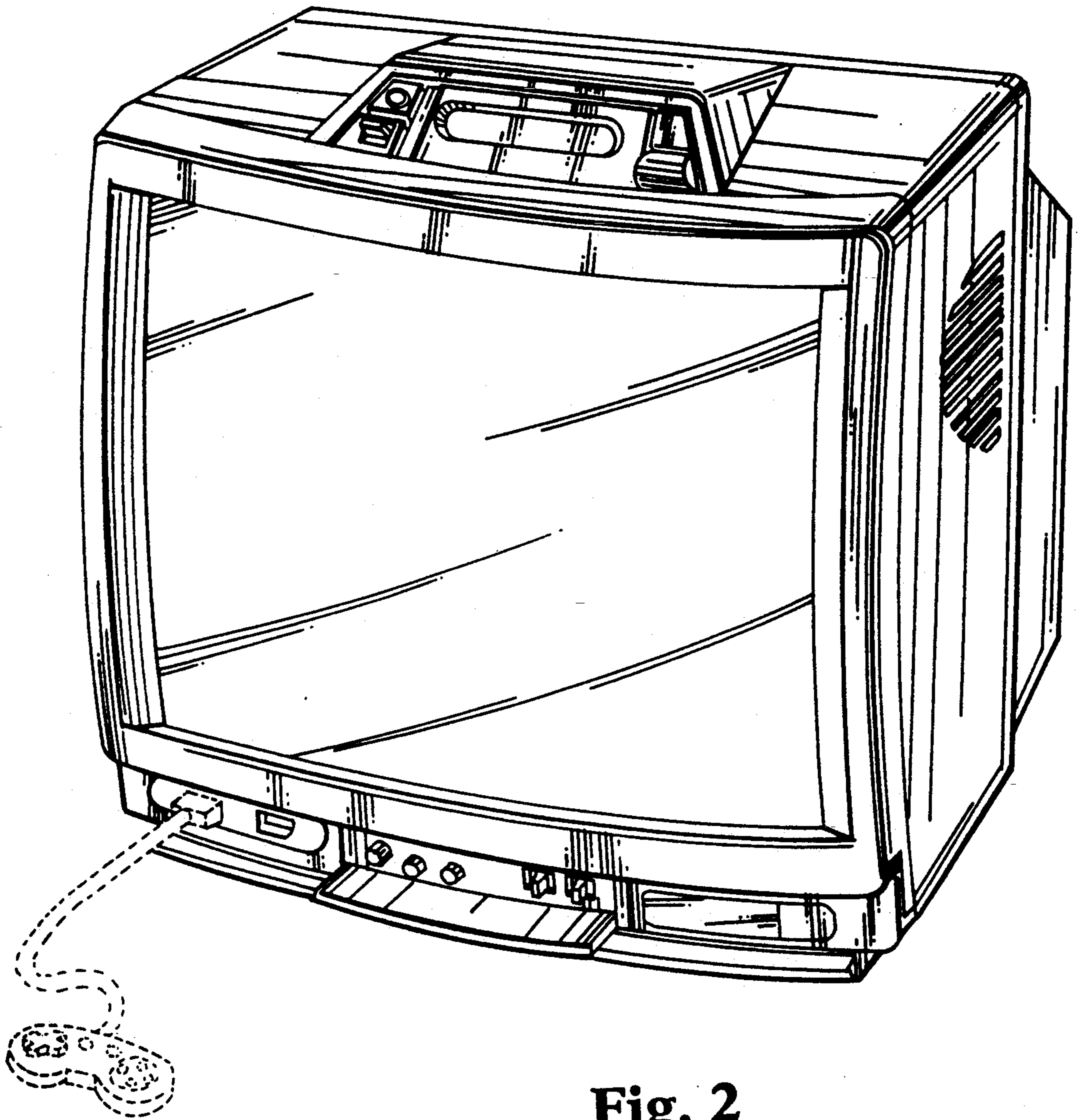


Fig. 2

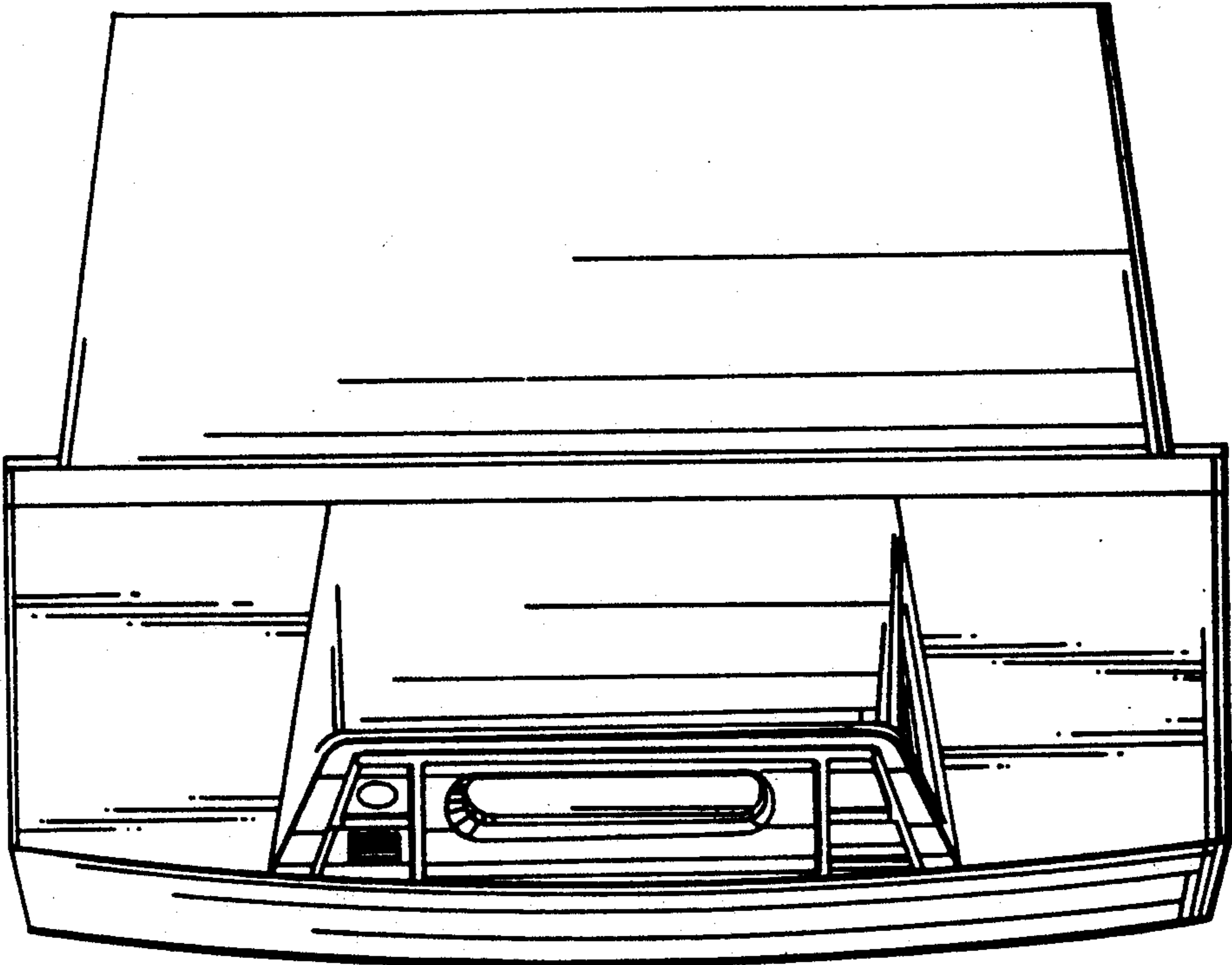


Fig. 3

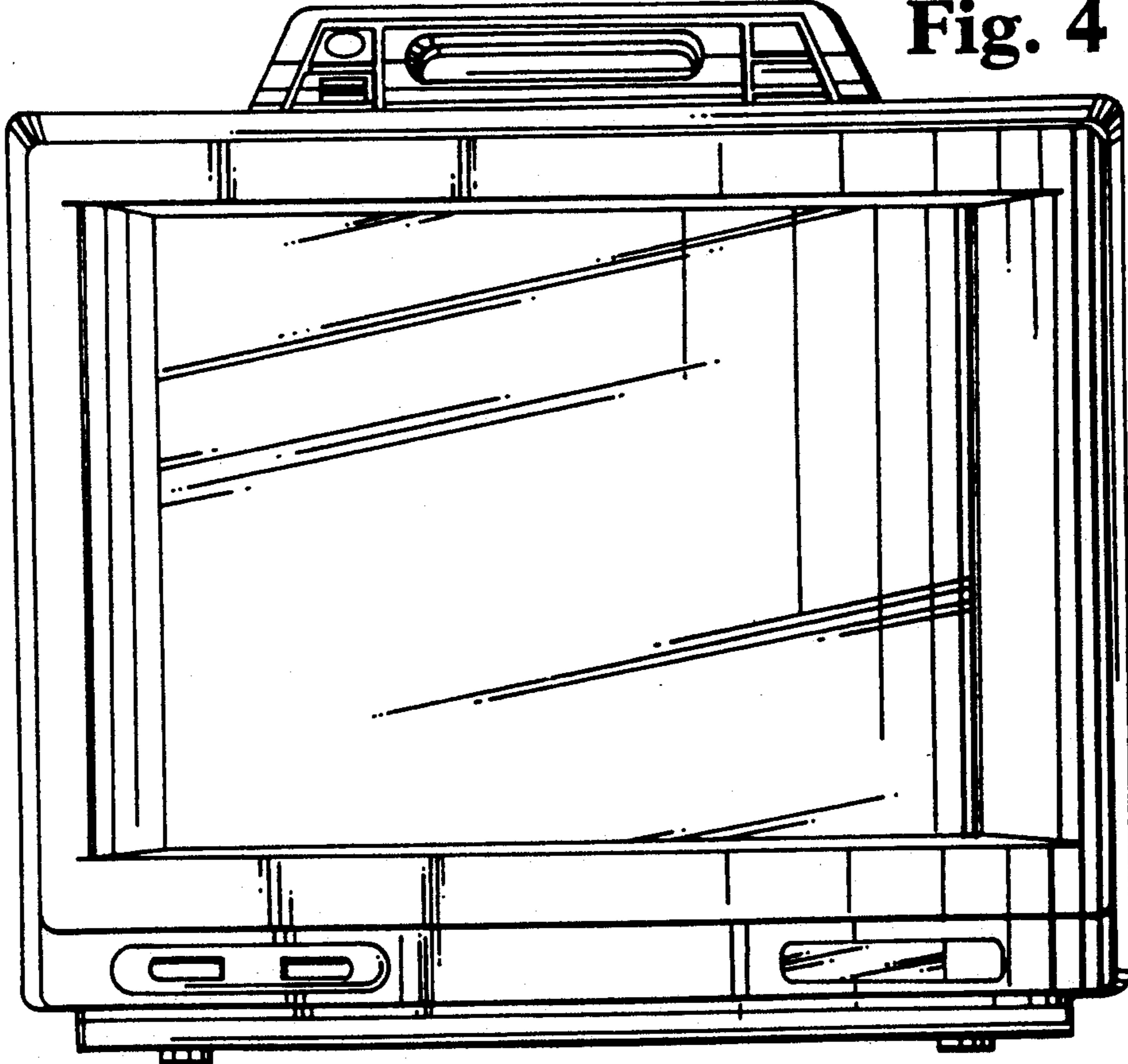


Fig. 4

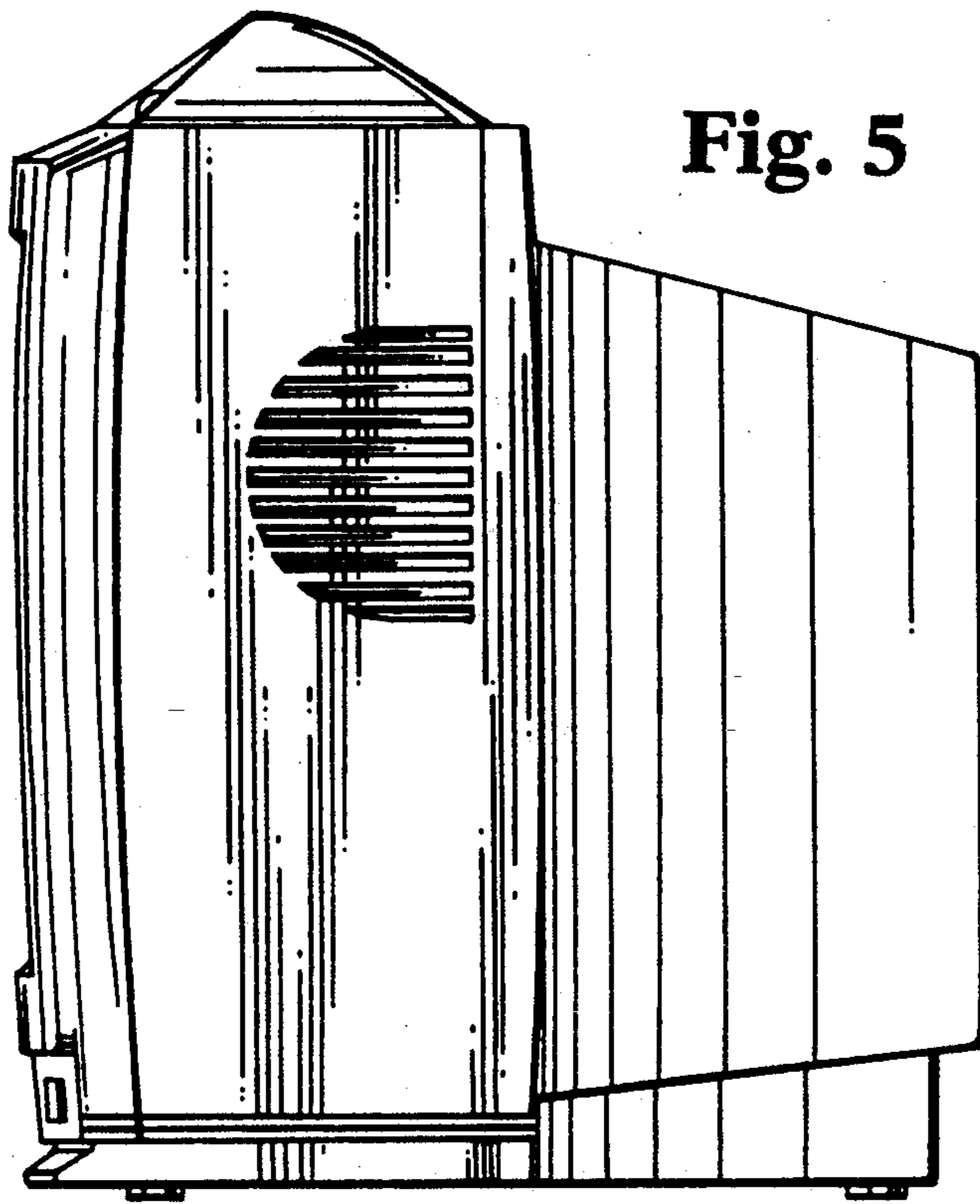


Fig. 5

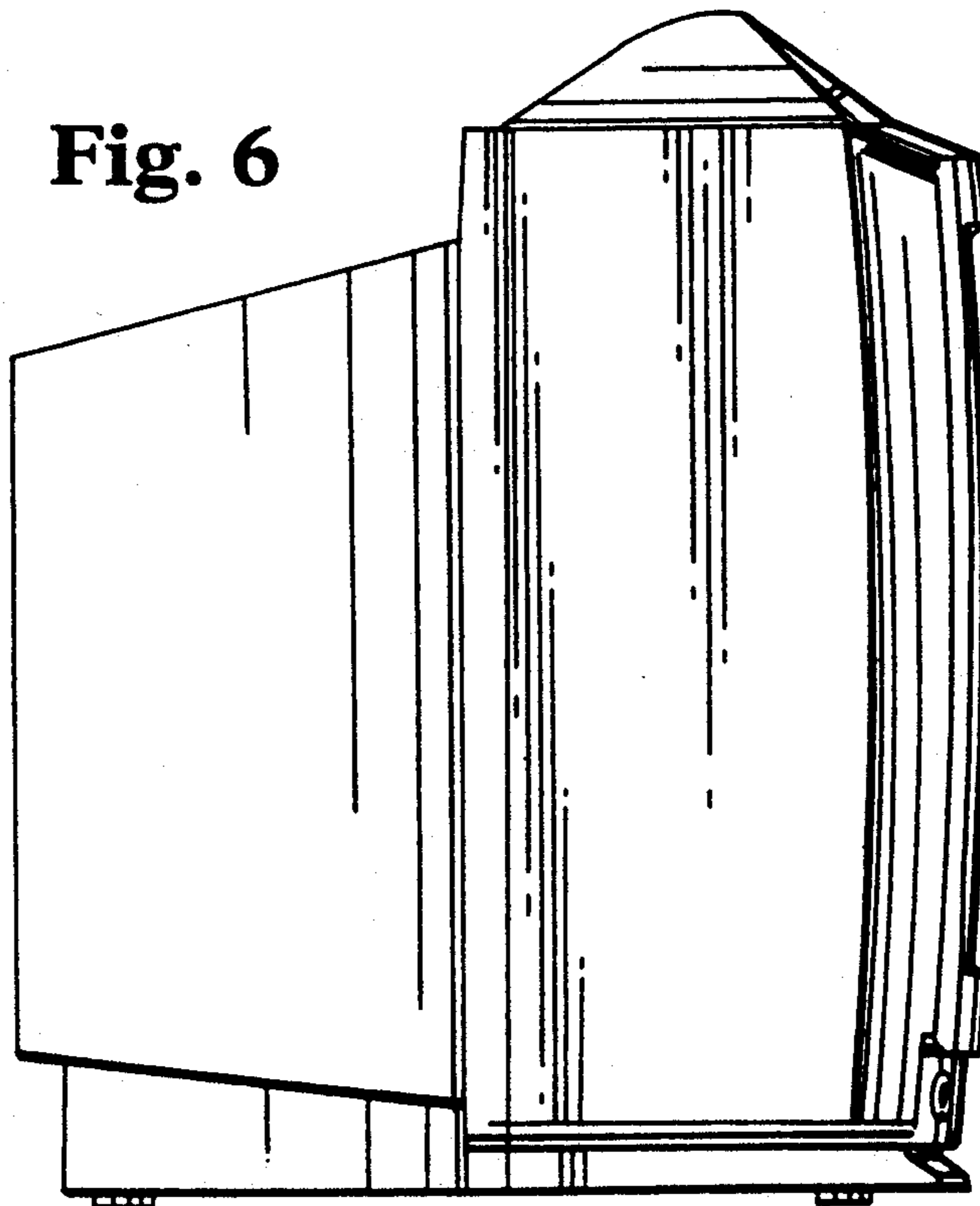


Fig. 6

Fig. 7

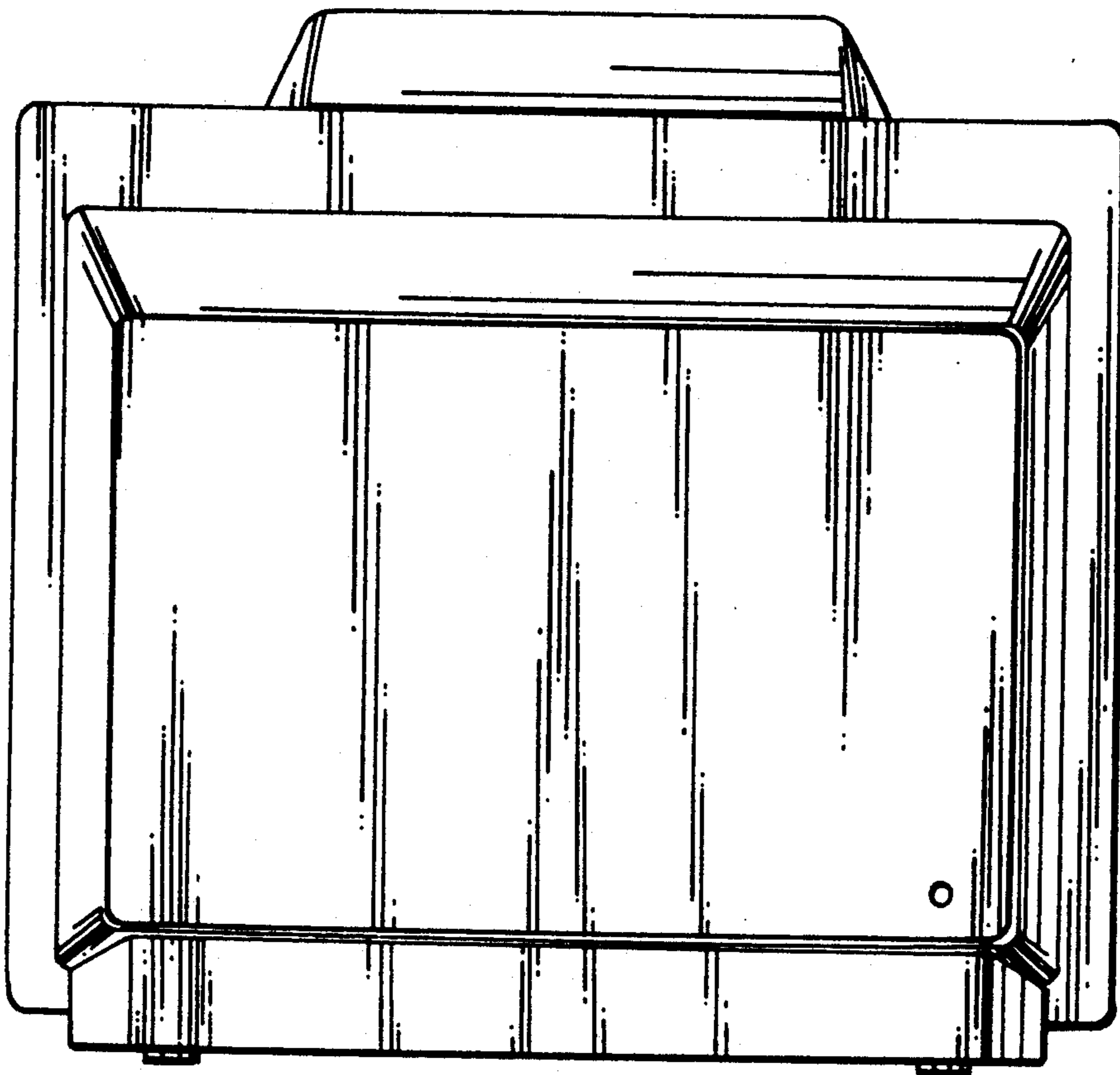


Fig. 8

