



US00D338654S

United States Patent [19]

[11] Patent Number: **Des. 338,654**

Ditzig

[45] Date of Patent: **** Aug. 24, 1993**

[54] TELEPHONE CORD ROTARY CONNECTOR

[75] Inventor: **Albert Ditzig, Hoffman Estates, Ill.**

[73] Assignee: **Telephone Products, Inc., Wheeling, Ill.**

[*] Notice: **The portion of the term of this patent subsequent to Nov. 12, 2005 has been disclaimed.**

[**] Term: **14 Years**

[21] Appl. No.: **647,005**

[22] Filed: **Jan. 29, 1991**

Related U.S. Application Data

[63] Continuation-in-part of Ser. No. 538,403, Jun. 14, 1990, Pat. No. Des. 321,503.

[52] U.S. Cl. **D13/147; D14/256**

[58] Field of Search **D13/133, 146, 147; D14/256; 439/638, 676**

[56] References Cited

U.S. PATENT DOCUMENTS

D. 304,028	10/1989	Matauzaki	D13/147
D. 305,532	1/1990	Gallo et al.	D13/133
D. 321,503	11/1991	Ditzig	D13/133
4,648,682	3/1987	Tubbs	D13/133 X
4,673,228	6/1987	Ditzig	439/638 X

OTHER PUBLICATIONS

Boluns on p. 29 of P. E. Patton Electronics Co. Cat. No. 9.

Primary Examiner—Wallace R. Burke

Assistant Examiner—Joel Sincavage

Attorney, Agent, or Firm—Jeffrey M. Morris

[57] CLAIM

The ornamental design for a telephone cord rotary connector, as shown and described.

DESCRIPTION

FIG. 1 is a perspective view of a telephone cord rotary connector showing my new design;

FIG. 2 is a top plan view thereof;

FIG. 3 is a right side elevational view thereof;

FIG. 4 is a bottom plan view thereof;

FIG. 5 is a front elevational view thereof;

FIG. 6 is a rear elevational view thereof;

FIG. 7 is a perspective view of a second embodiment of a telephone cord rotary connector showing my new design;

FIG. 8 is a top plan view thereof;

FIG. 9 is a right side elevational view thereof;

FIG. 10 is a bottom plan view thereof;

FIG. 11 is a front elevational view thereof; and,

FIG. 12 is a rear elevational view thereof.

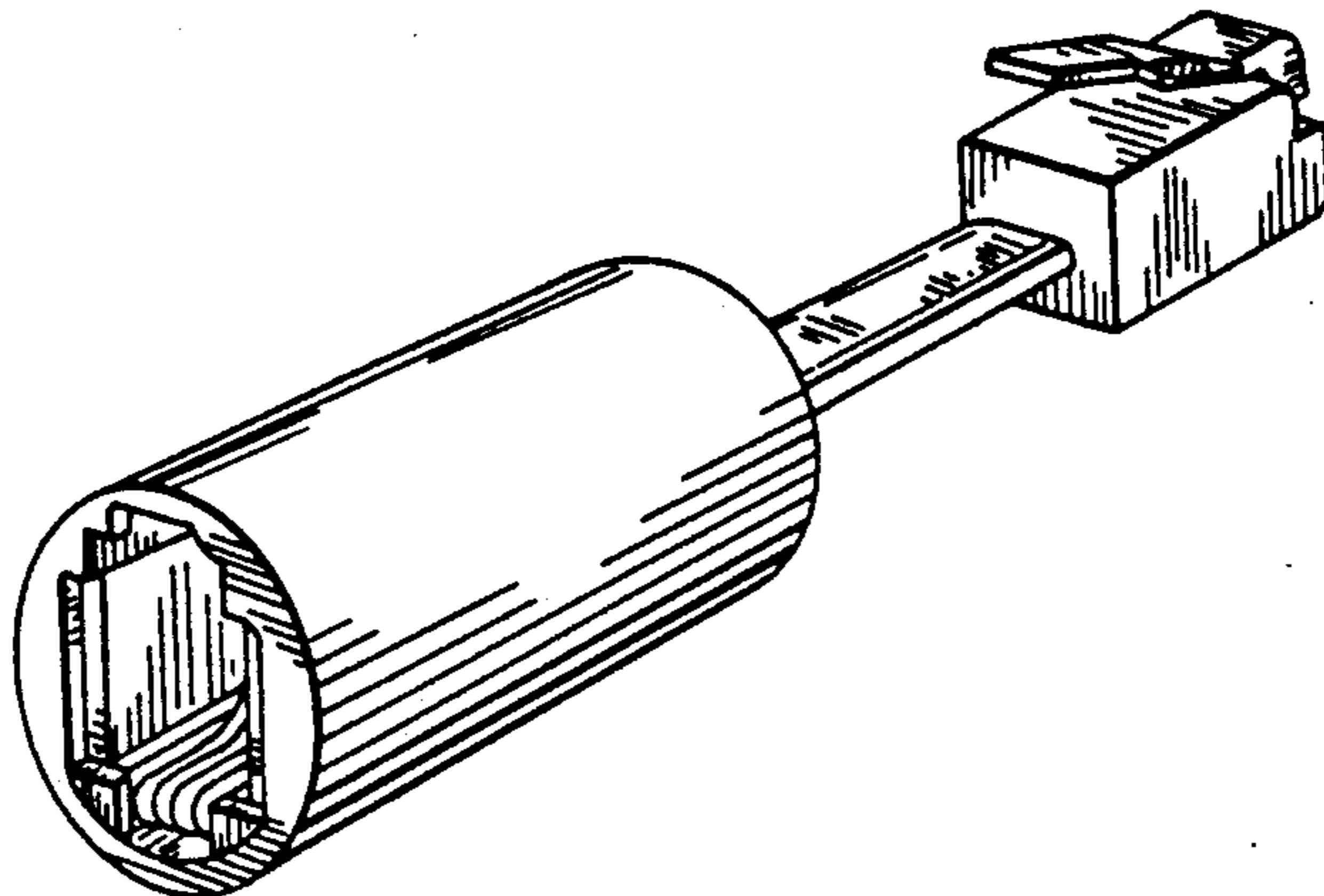
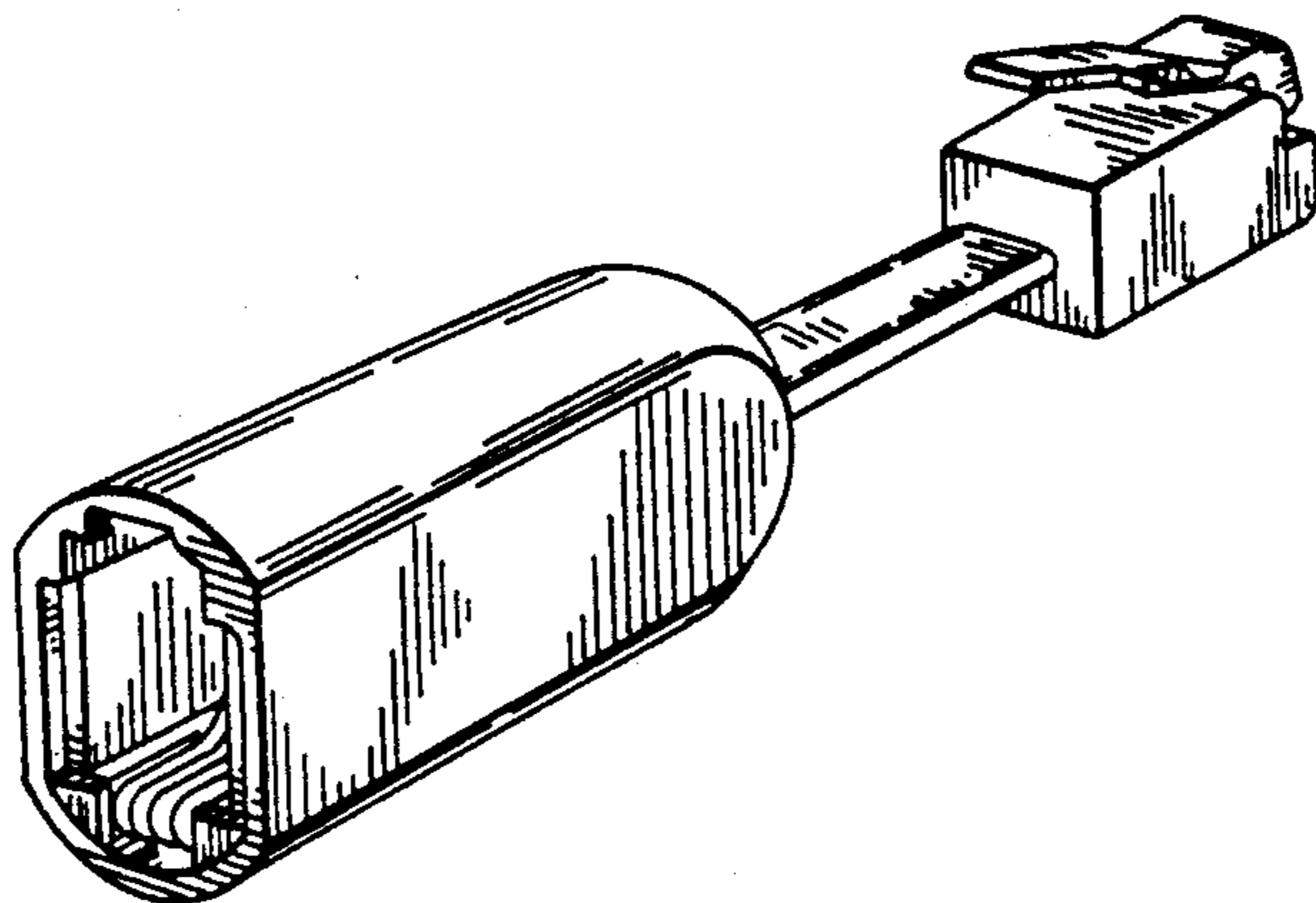


FIG. 1

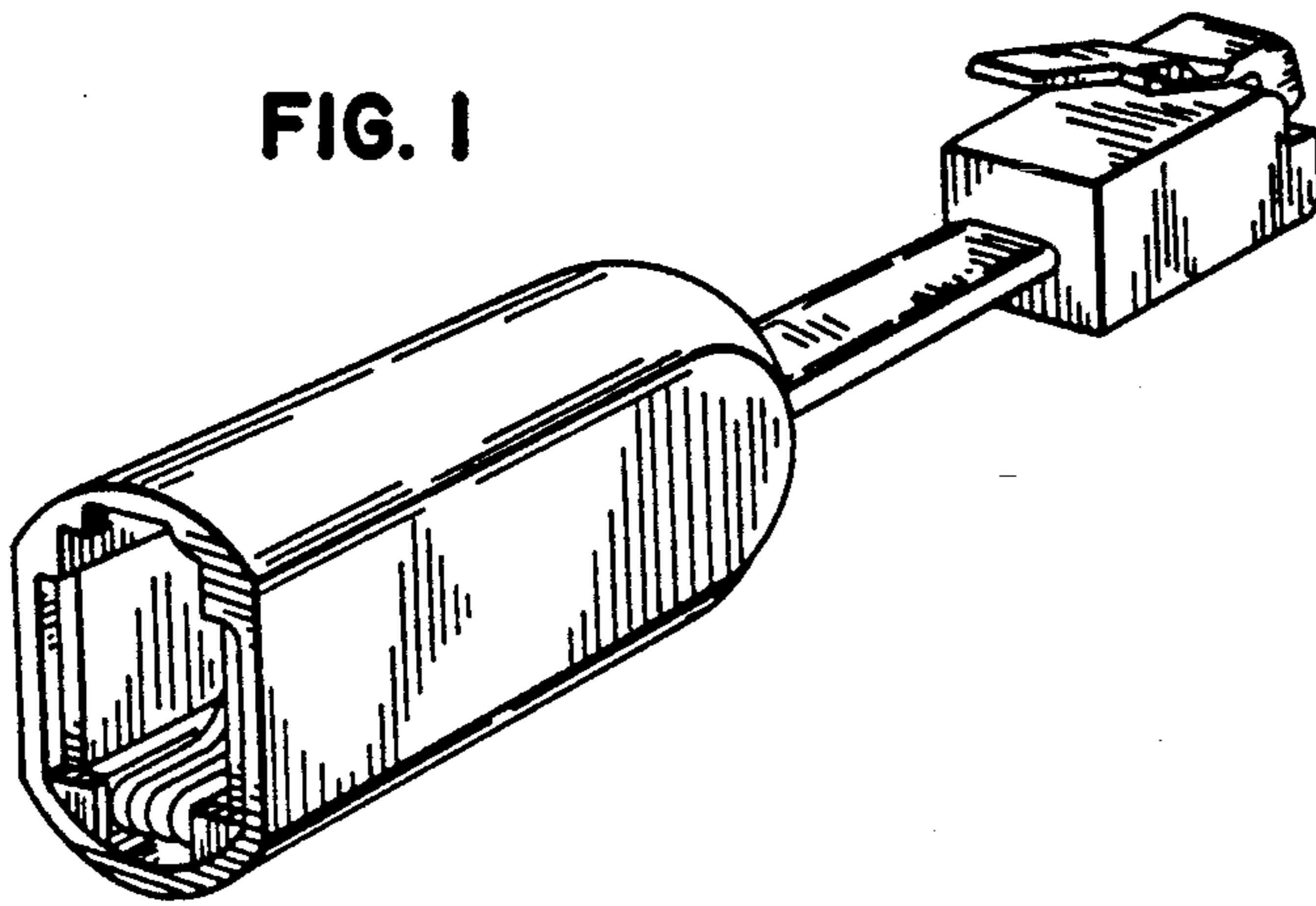


FIG. 5

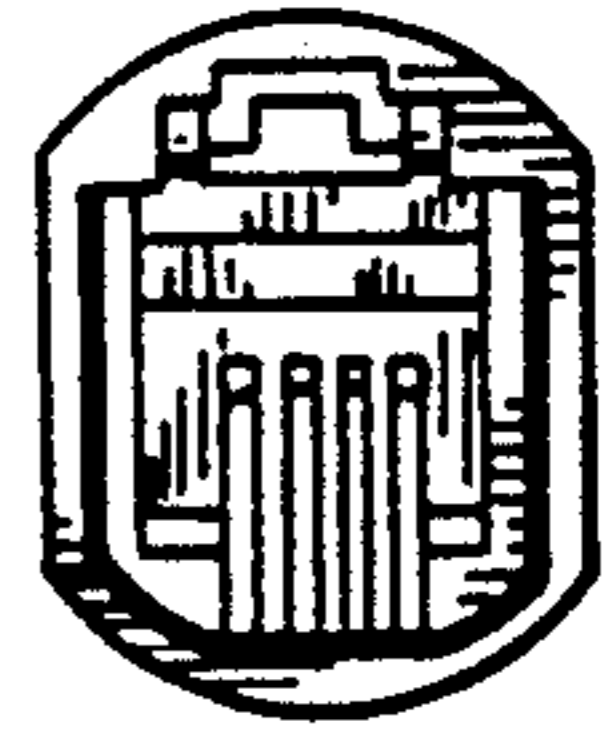


FIG. 6

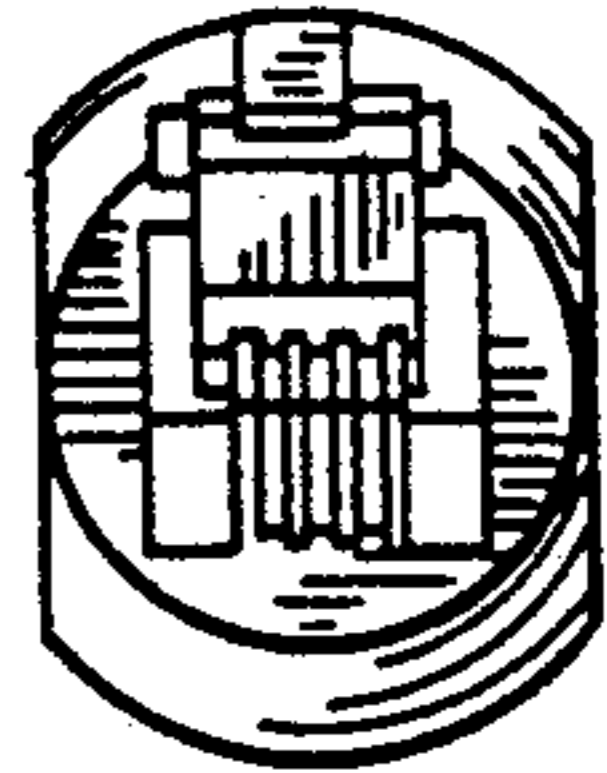


FIG. 2

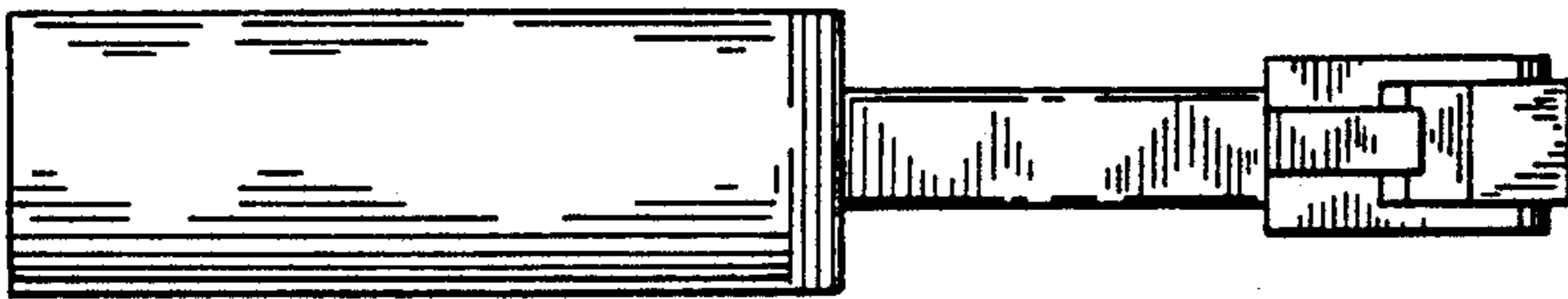


FIG. 3

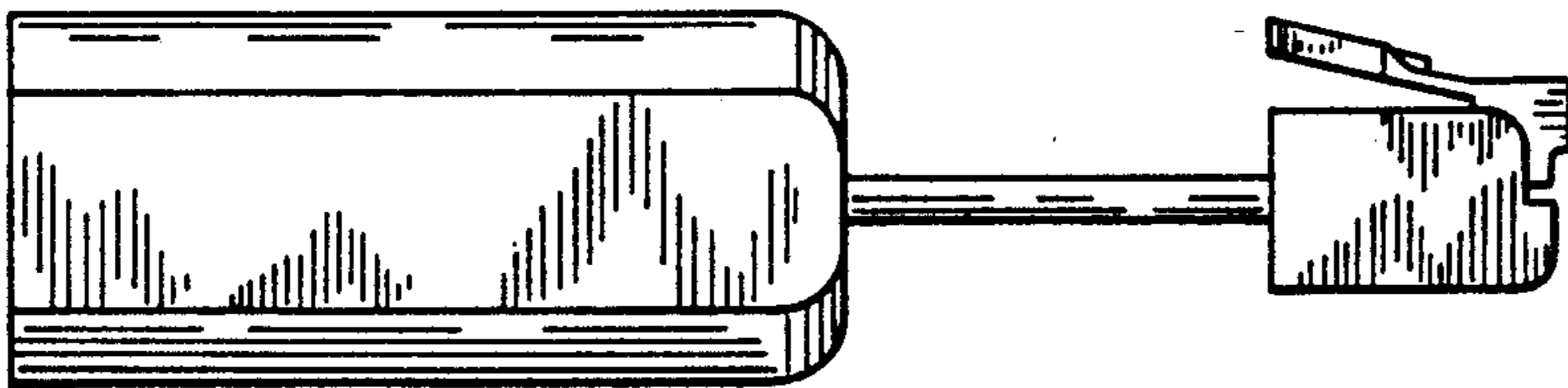


FIG. 4

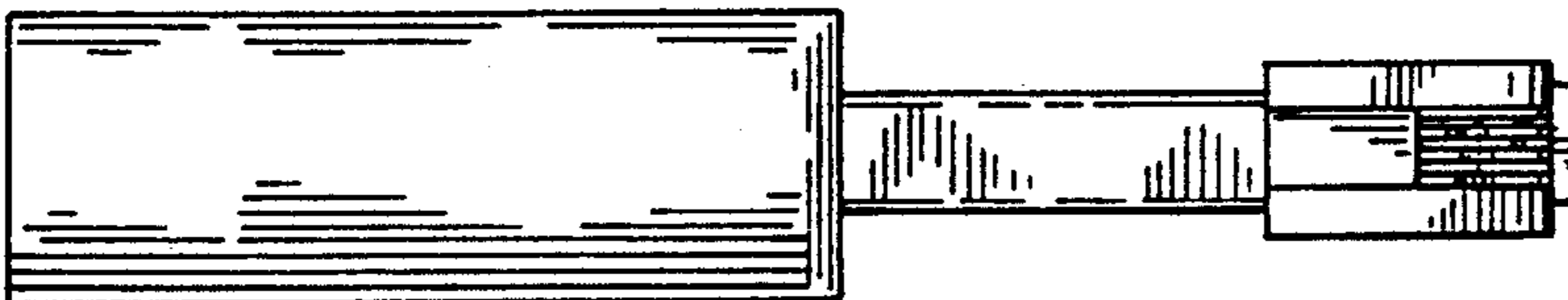


FIG. 7

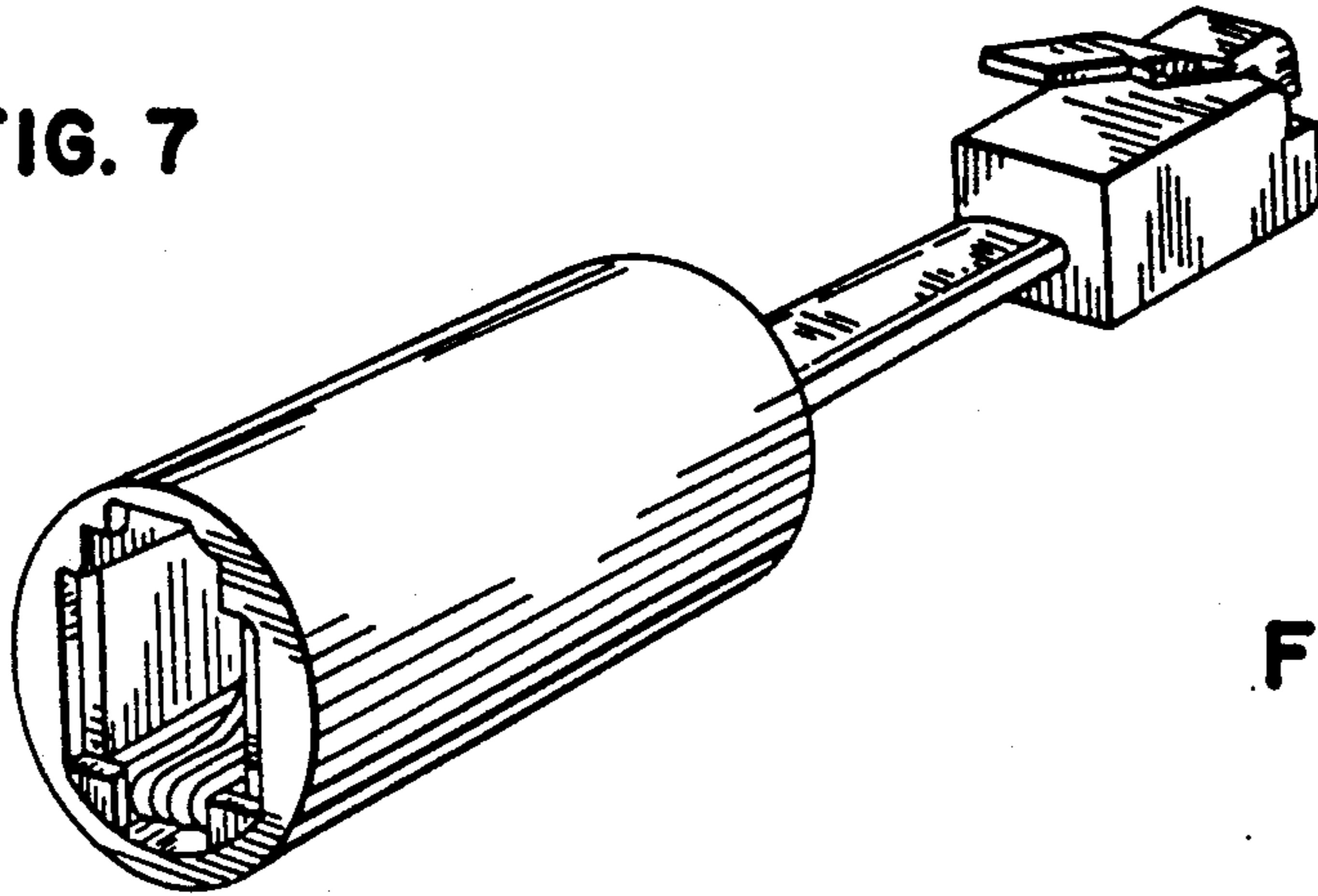


FIG. 11

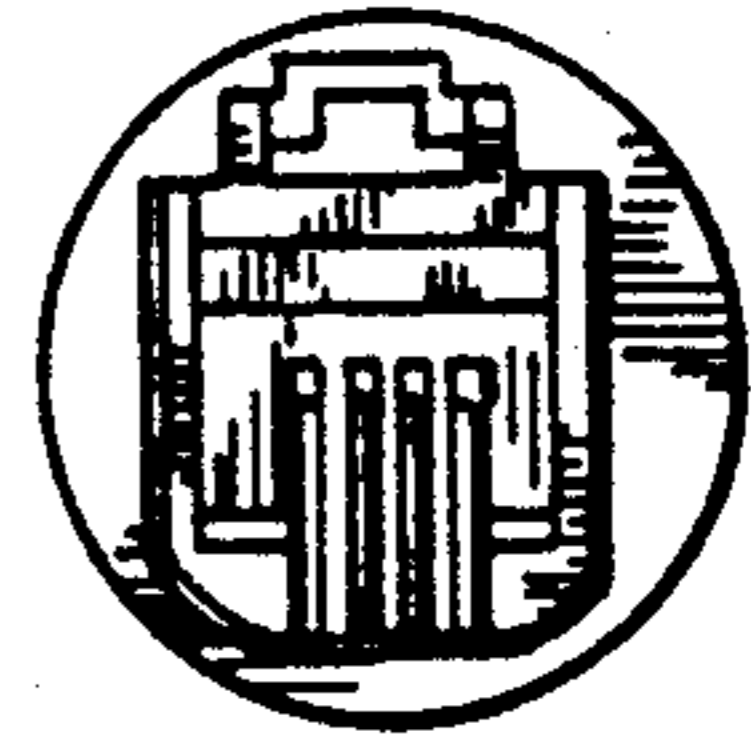


FIG. 12

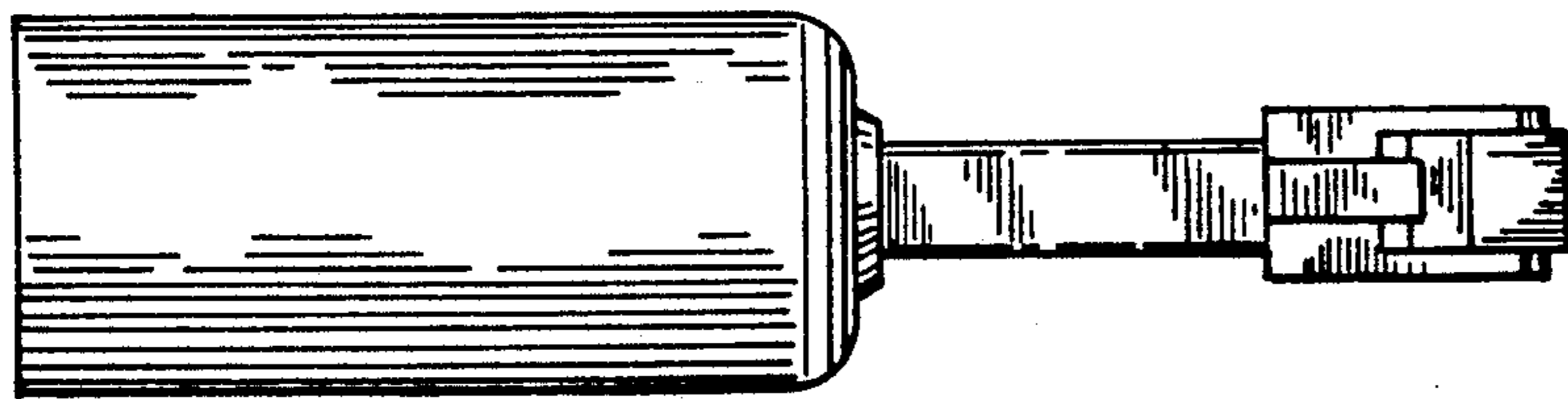
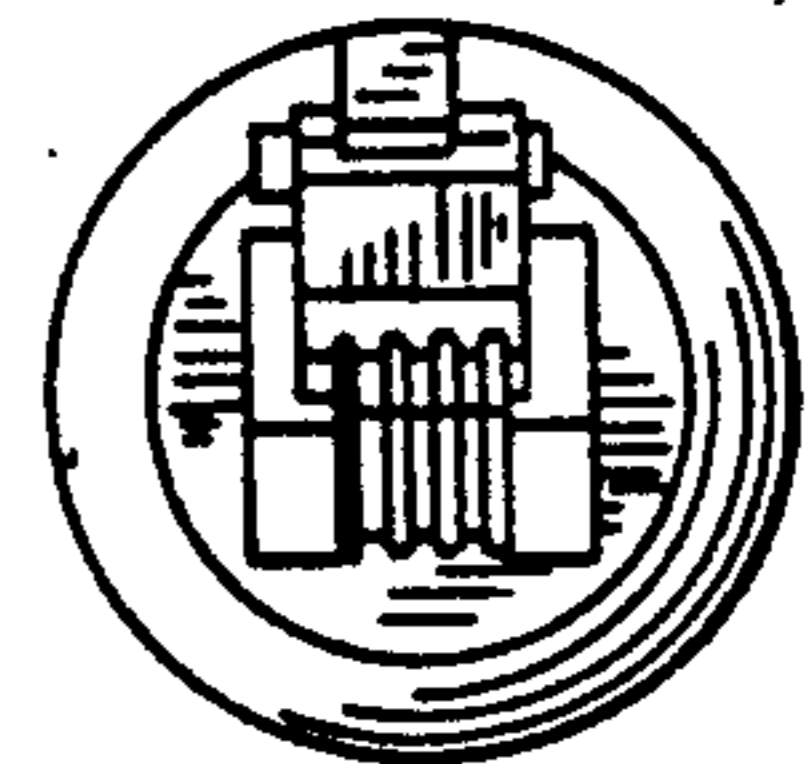


FIG. 8

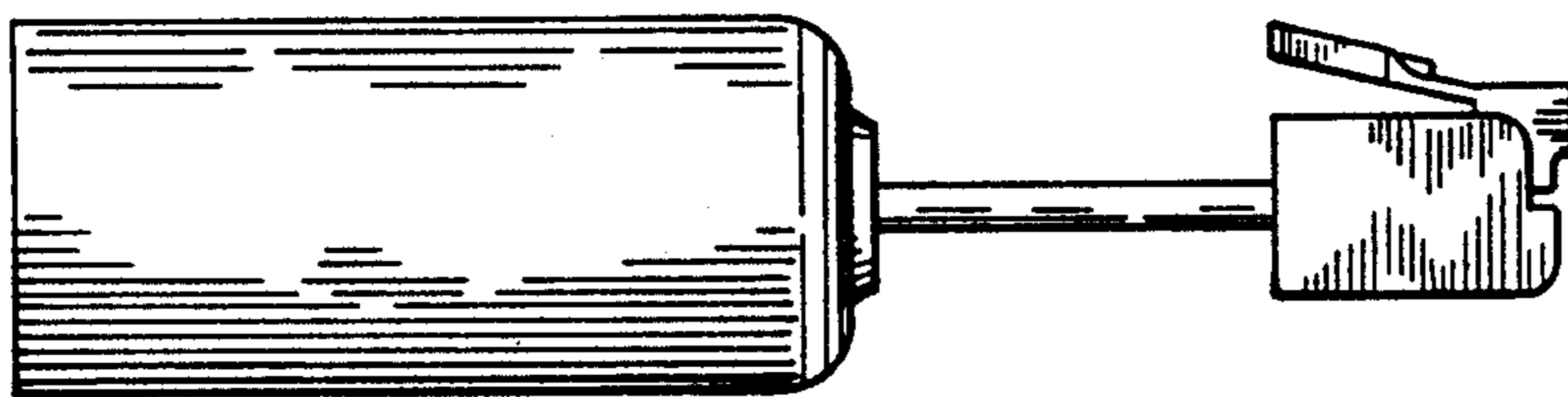


FIG. 9

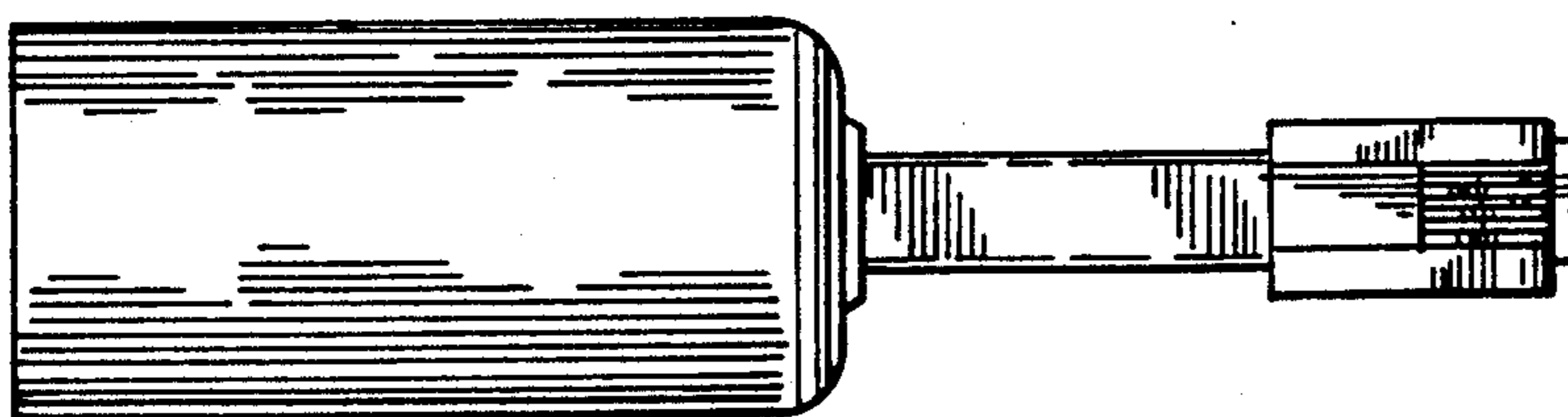


FIG. 10