



US00D338653S

United States Patent [19]

[11] Patent Number: Des. 338,653

Morgan et al.

[45] Date of Patent: ** Aug. 24, 1993

[54] POWER SUPPLY MODULE

[75] Inventors: **Stuart K. Morgan**, Westford;
Margaret L. Hetfield, Arlington,
both of Mass.

[73] Assignee: **Digital Equipment Corporation**,
Maynard, Mass.

[**] Term: **14 Years**

[21] Appl. No.: **683,363**

[22] Filed: **Apr. 8, 1991**

[52] U.S. Cl. **D13/110**

[58] Field of Search **D13/110, 123, 124, 184;**
307/150, 151; 363/15, 95, 143, 146; 336/90, 92,
200

[56] References Cited

U.S. PATENT DOCUMENTS

D. 206,513	9/1981	Comstock	D13/184
D. 246,709	12/1977	Pomper	D13/110
D. 278,463	4/1985	Vest	D13/110 X
D. 286,770	11/1986	Melcher	D13/184
D. 303,654	9/1989	Rauch	D13/110
4,453,624	9/1985	Rumble	D13/110 X
4,625,259	11/1986	Krechmer et al.	D13/110 X

OTHER PUBLICATIONS

S/100 plug in transformer on p. 150 of Home Lighting and Accessories, Sep. 1989.

Power supplies on p. 235 if Hong Kong Enterprise, Oct. 1989.

Primary Examiner—Wallace R. Burke

Assistant Examiner—Joel Sincavage

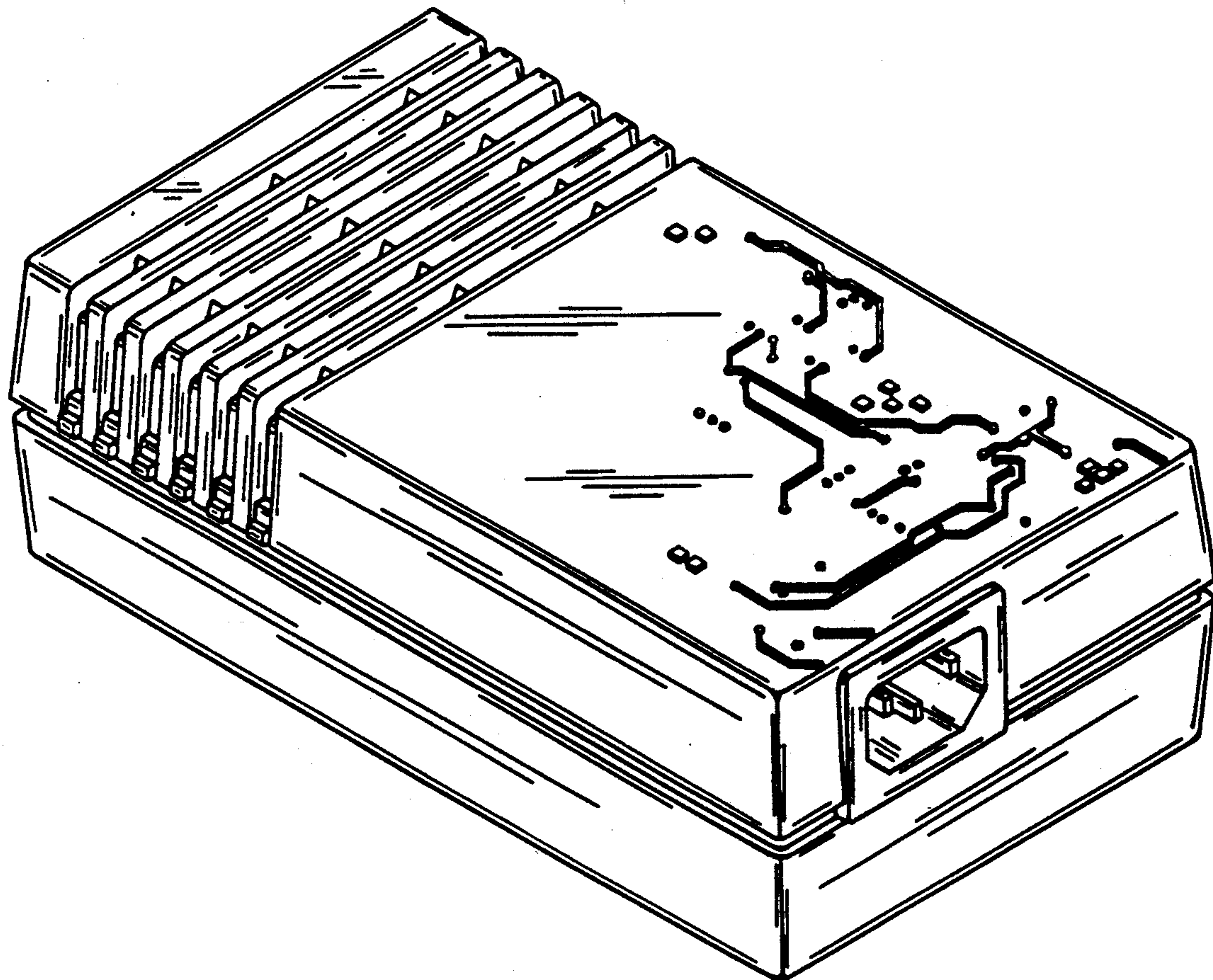
Attorney, Agent, or Firm—Richard J. Paciulan; Barry N. Young

[57] CLAIM

The ornamental design for a power supply module, as shown and described.

DESCRIPTION

FIG. 1 is a front elevational view of a wall mounted power supply module showing our new design; FIG. 2 is a right side elevational view thereof, the left side elevational view thereof being a mirror image; FIG. 3 is a bottom plan view thereof; FIG. 4 is a front elevational view thereof; FIG. 5 is a rear elevational view thereof; and, FIG. 6 is a front and upper left perspective view of a wall mounted power supply module showing our new design.



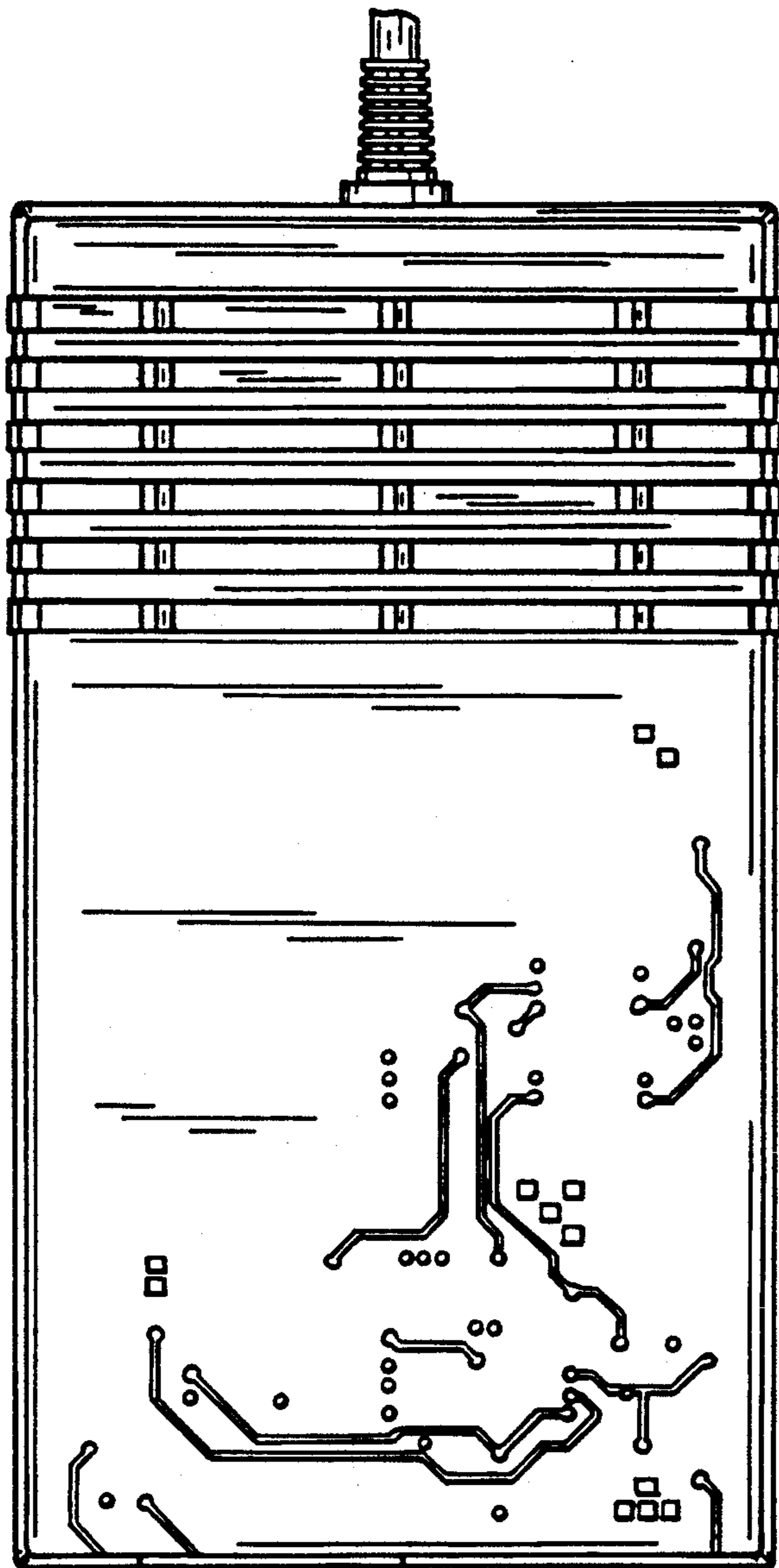


FIG. 1

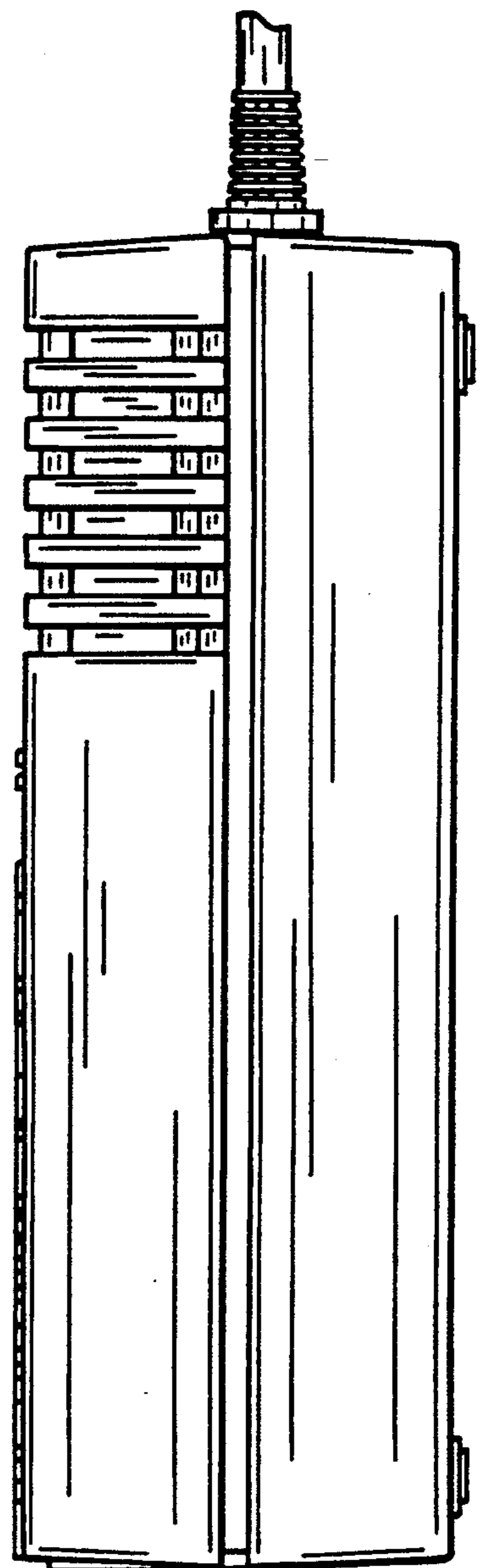


FIG. 2

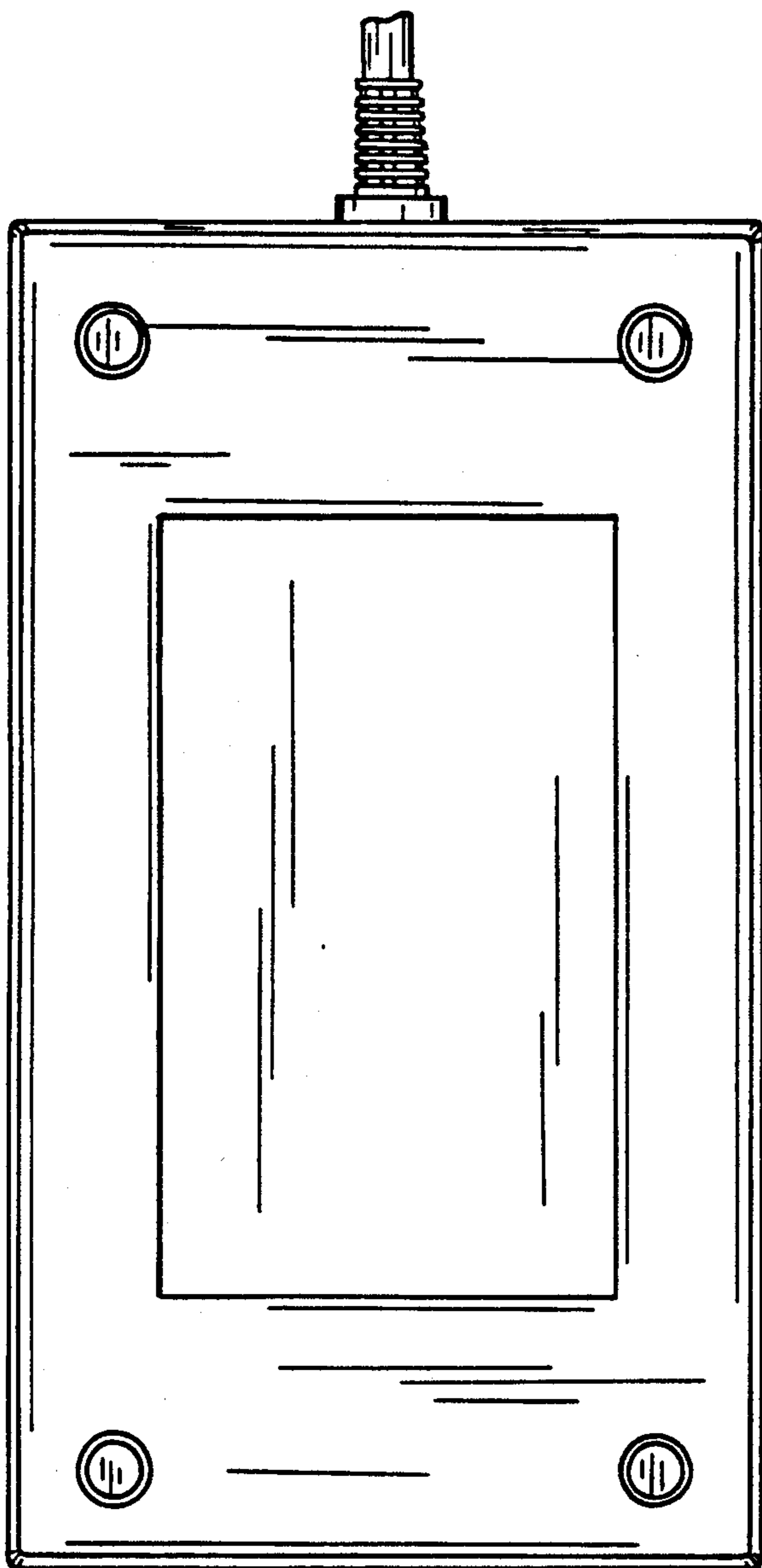


FIG. 3

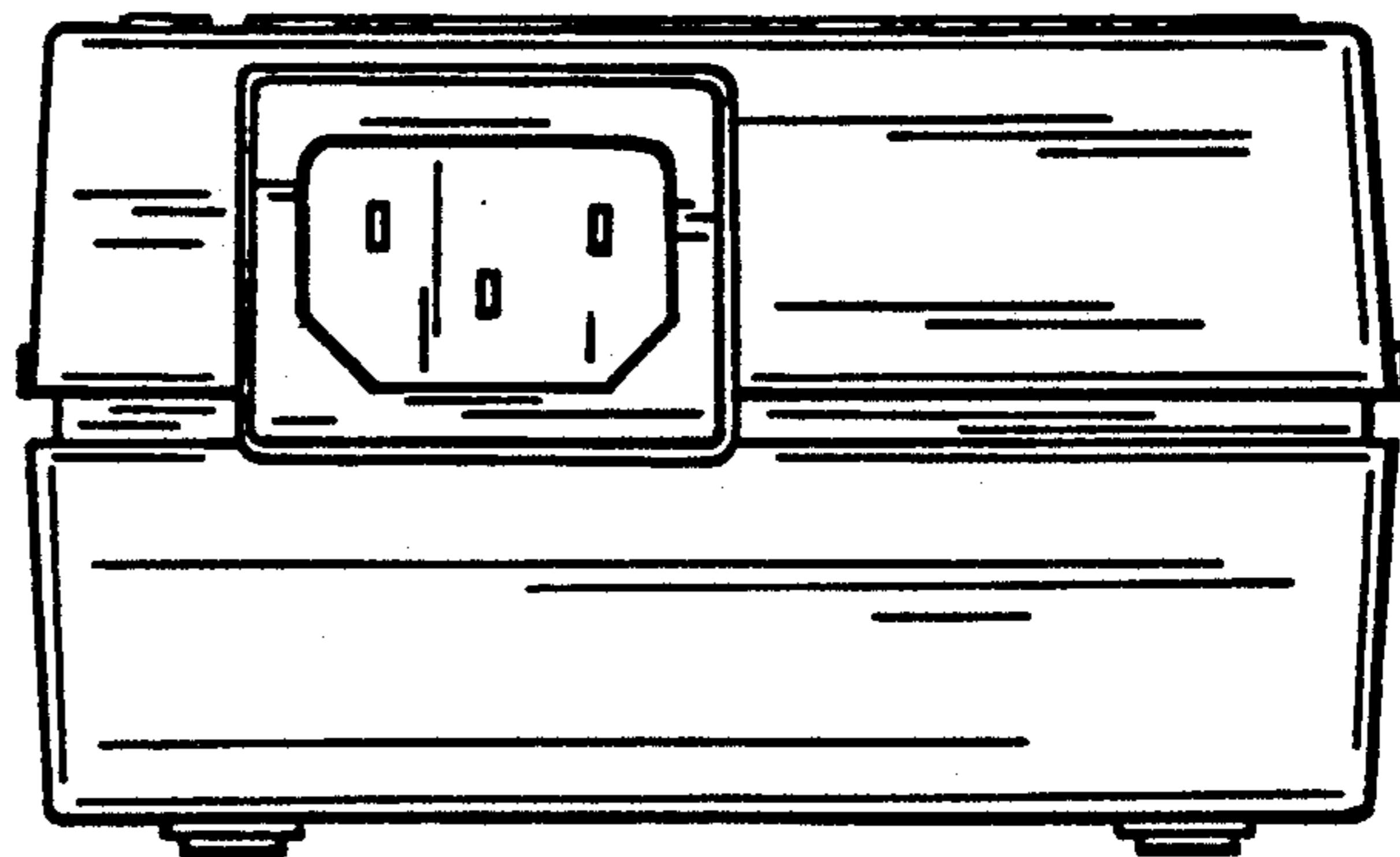


FIG. 4

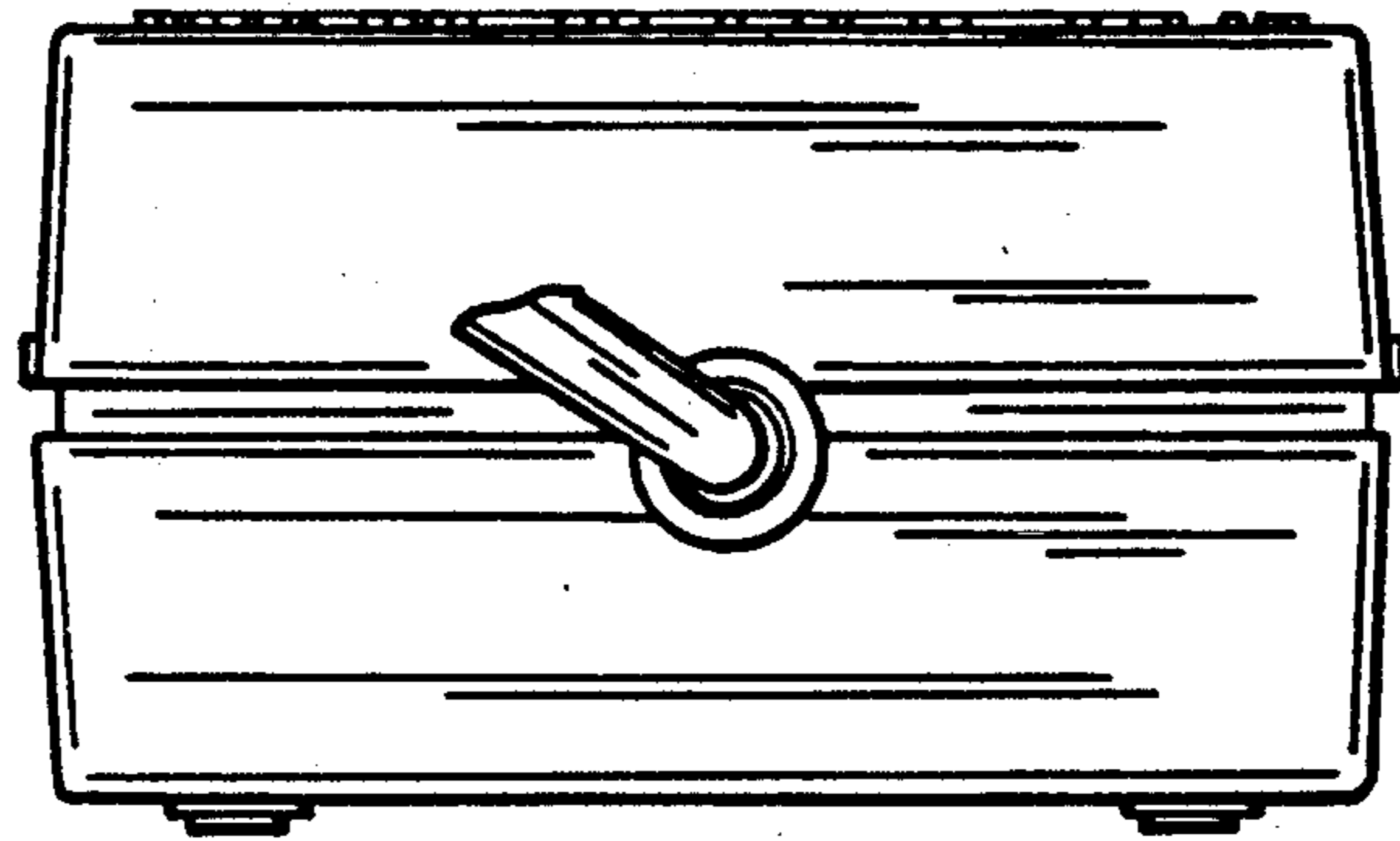


FIG. 5

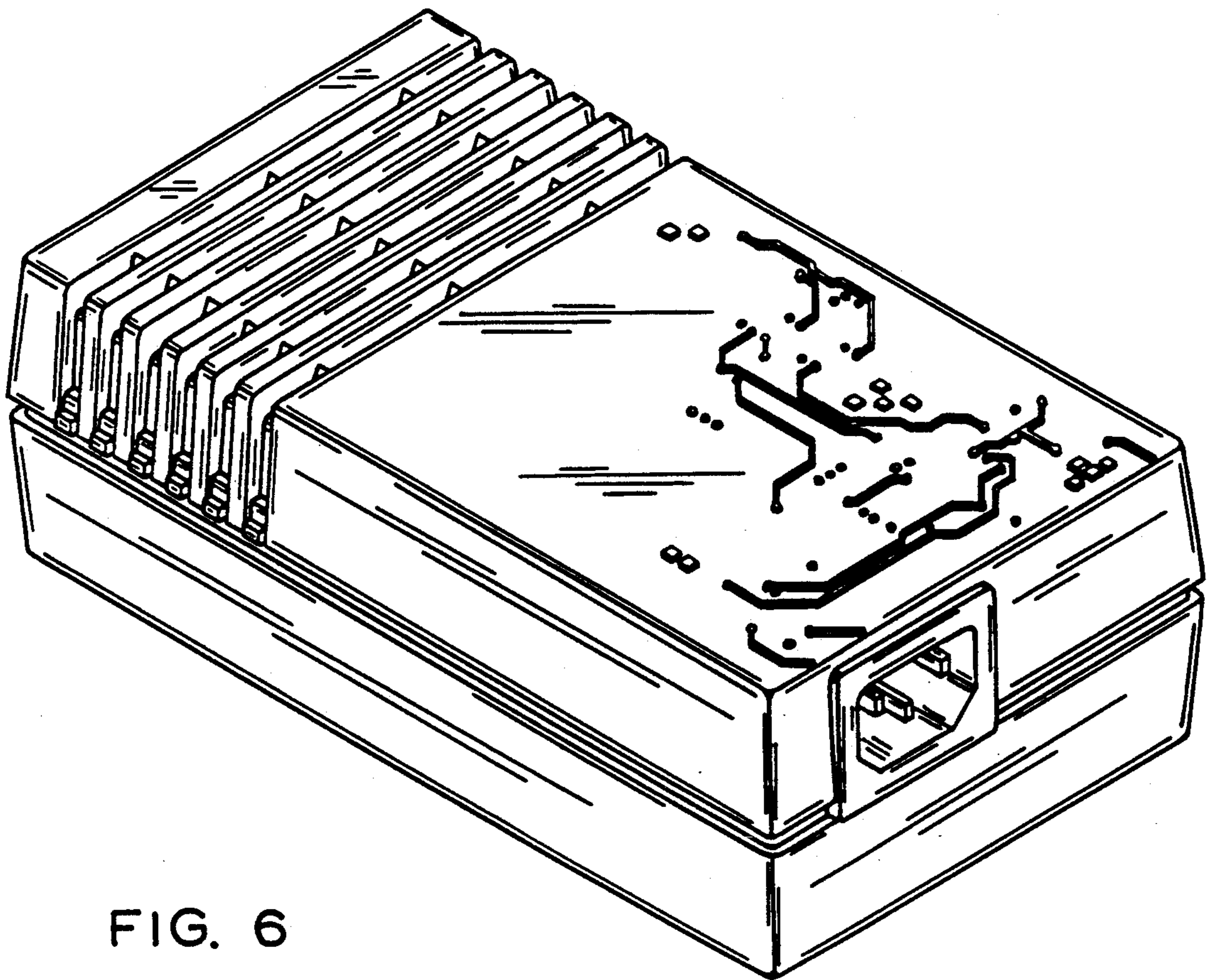


FIG. 6