



US00D338645S

**United States Patent** [19]  
**German**

[11] **Patent Number: Des. 338,645**  
[45] **Date of Patent: \*\* Aug. 24, 1993**

[54] **MOTOR VEHICLE CARGO SHADE**

[75] **Inventor: Laurence J. German, Huntington Woods, Mich.**

[73] **Assignee: LTC Roll & Engineering Company, Mt. Clemens, Mich.**

[\*\*] **Term: 14 Years**

[21] **Appl. No.: 743,552**

[22] **Filed: Aug. 9, 1991**

[52] **U.S. Cl. .... D12/155**

[58] **Field of Search ..... D12/155, 156; 296/24.1, 296/37.16**

4,277,097	7/1981	Lalamne .....	296/37.16
4,502,674	3/1985	White et al. ....	296/37.16
4,536,025	8/1985	Yamawaki et al. ....	296/37.16
4,600,233	7/1986	Boydston .....	296/24
4,668,001	5/1987	Okumura et al. ....	296/37.16
4,671,557	6/1987	Lemp .....	296/37.16
4,776,625	10/1988	Lebanoff et al. ....	296/37.16
4,783,113	11/1988	Padlo .....	296/136

*Primary Examiner—James M. Gandy*  
*Attorney, Agent, or Firm—Gossett Dykema*

[57] **CLAIM**

The ornamental design for a motor vehicle cargo shade, as shown.

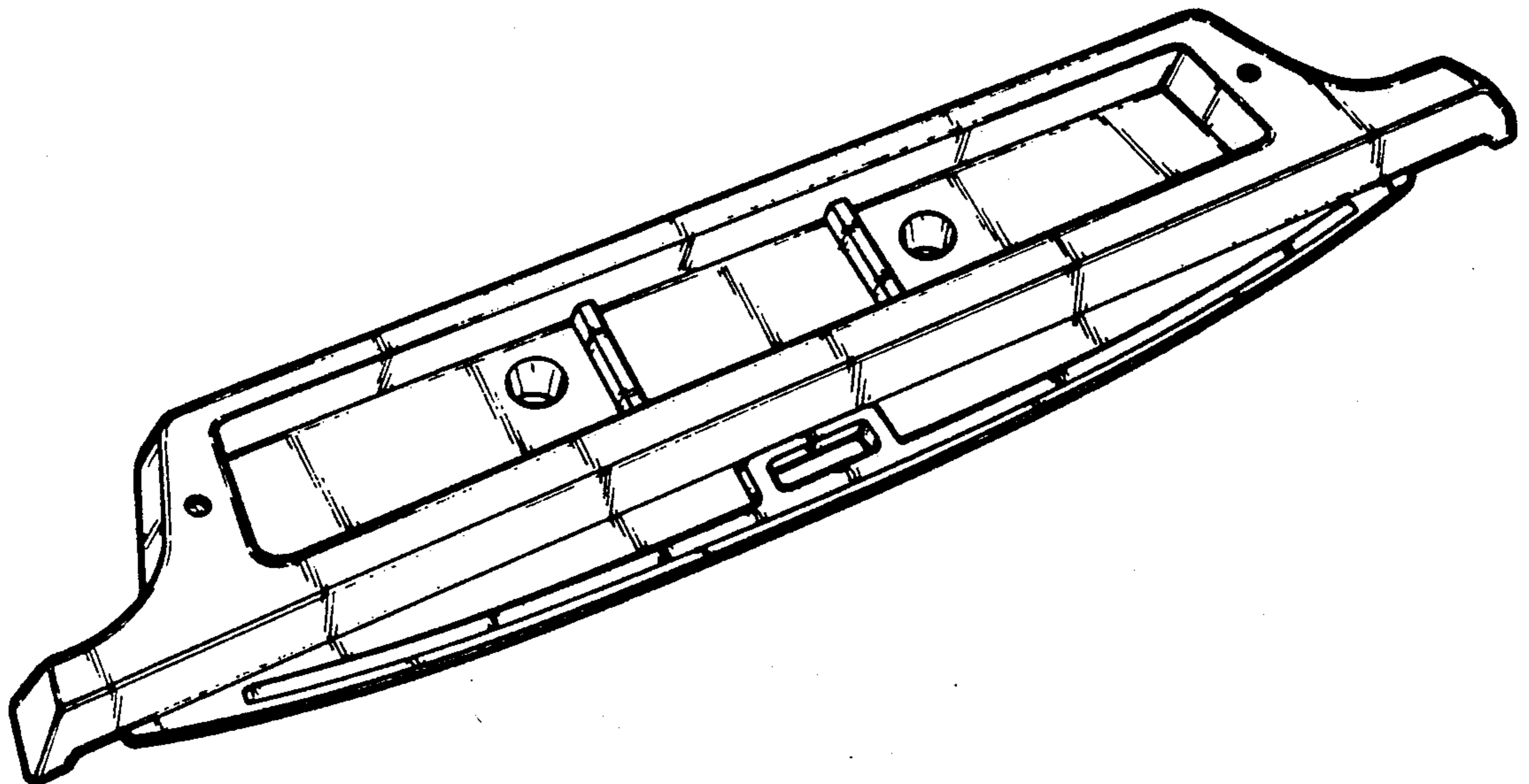
**DESCRIPTION**

FIG. 1 is a top perspective view of a motor vehicle cargo shade showing my new design;  
FIG. 2 is a plan view thereof;  
FIG. 3 is a left side elevational view thereof;  
FIG. 4 is a bottom plan view thereof;  
FIG. 5 is a right side elevational view thereof;  
FIG. 6 is a left end view thereof; and,  
FIG. 7 is a right end view thereof.

[56] **References Cited**

**U.S. PATENT DOCUMENTS**

1,398,885	11/1921	Aills .....	224/42.42
1,950,927	3/1934	McMillan .....	296/1
4,127,301	11/1978	Syrowik .....	296/37.16
4,139,231	2/1979	Lang et al. ....	296/37.16
4,168,094	9/1979	Yagi .....	296/37.16
4,220,367	9/1980	Gale et al. ....	296/37.16
4,222,601	9/1980	White et al. ....	296/37.16



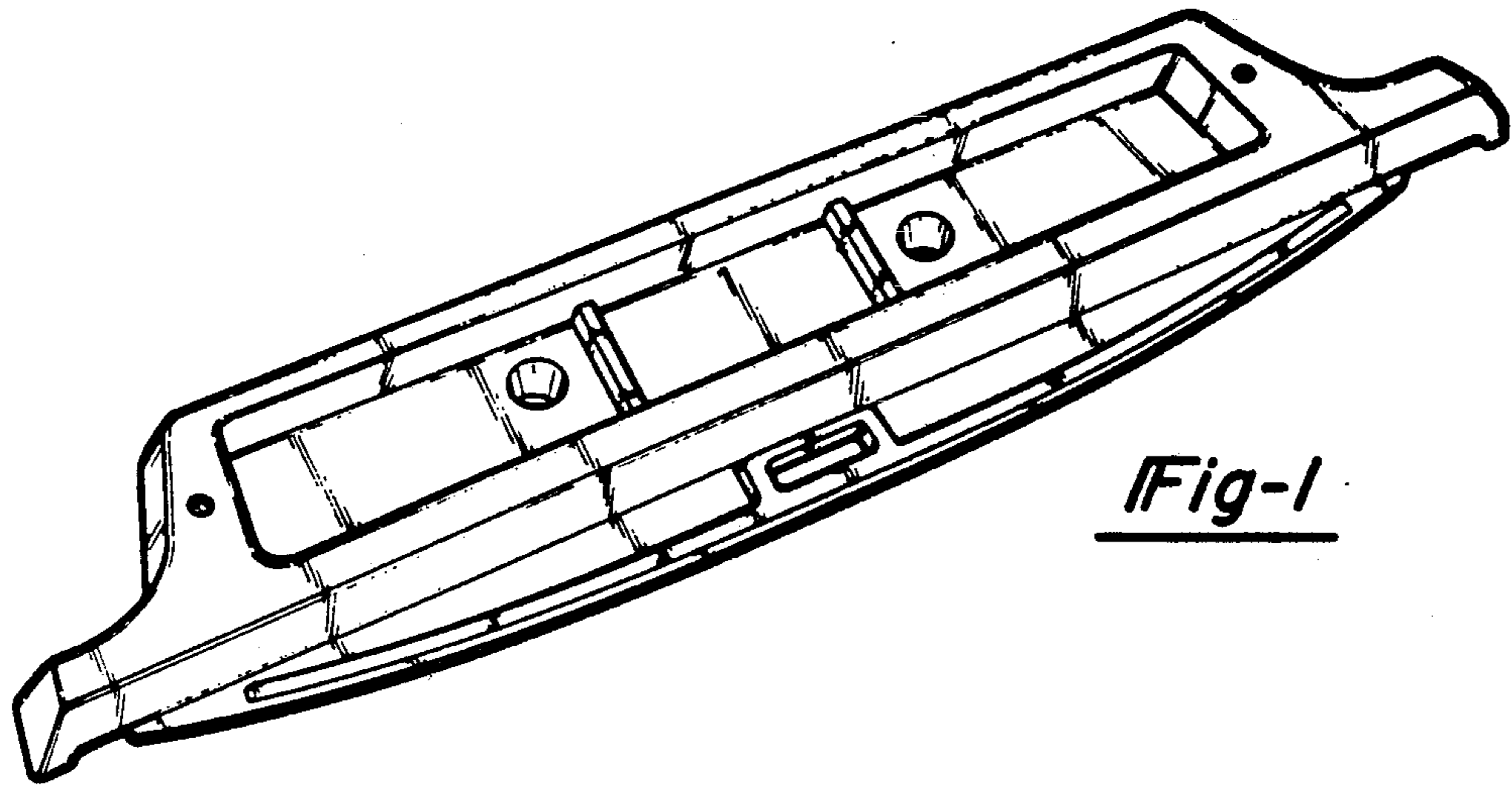


Fig-1

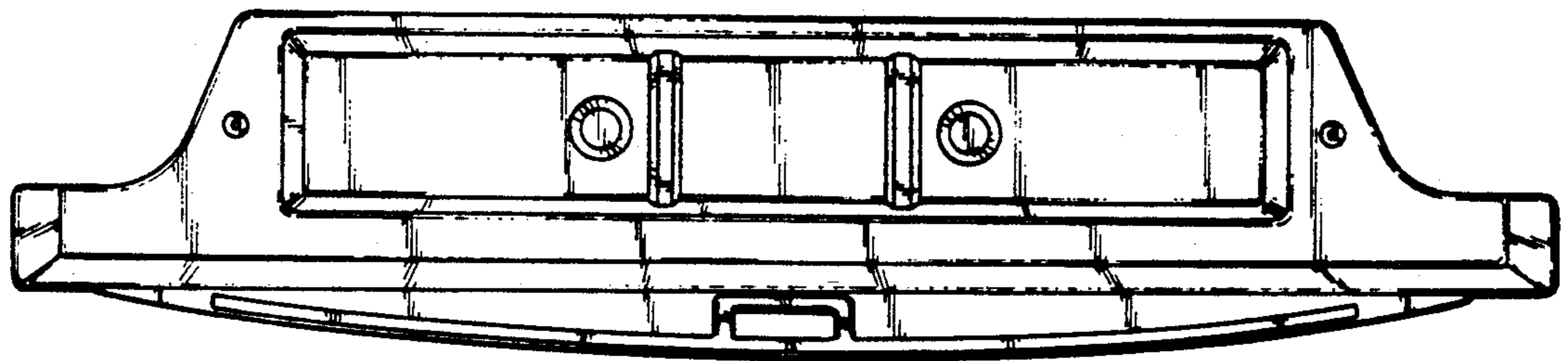


Fig-2

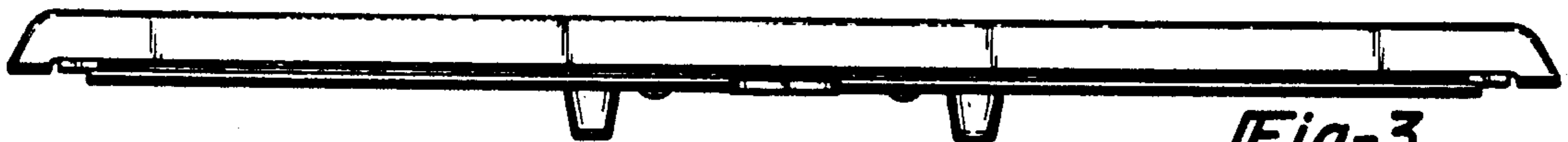


Fig-3

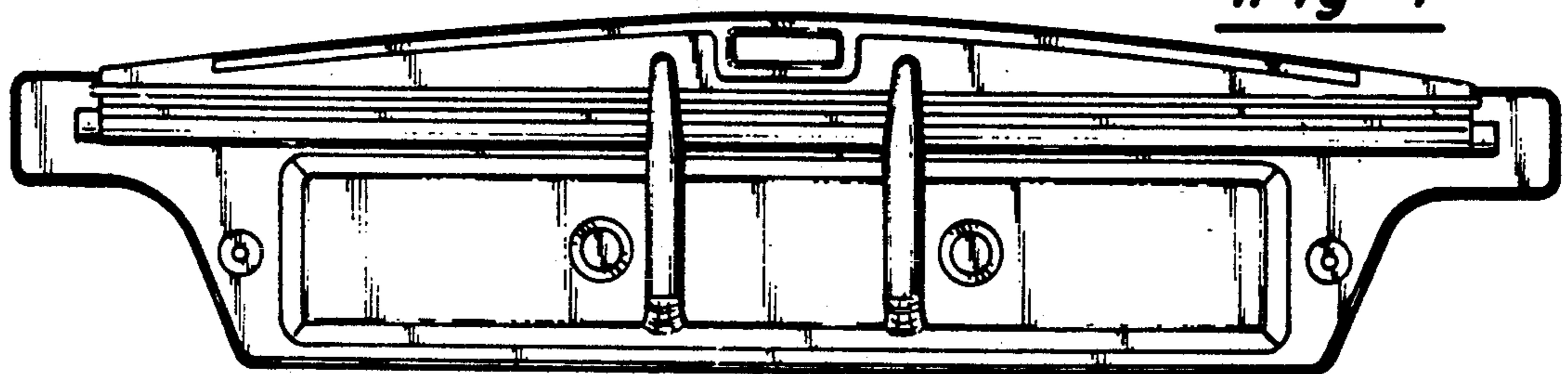


Fig-4

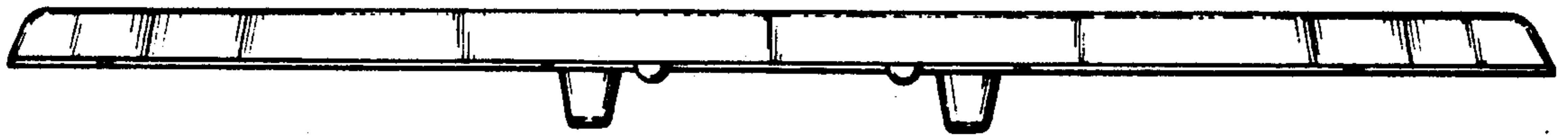


Fig-5



Fig-6



Fig-7