



US00D338644S

# United States Patent [19]

[11] Patent Number: **Des. 338,644**

Winton

[45] Date of Patent: **\*\* Aug. 24, 1993**

[54] **VEHICLE GUIDANCE DEVICE**

[76] Inventor: **Leroy Winton, P.O. Box 889,  
Placerville, Calif. 95667**

[\*\*] Term: **14 Years**

[21] Appl. No.: **724,353**

[22] Filed: **Jul. 1, 1991**

[52] U.S. Cl. .... **D12/162**

[58] Field of Search ..... **D12/162; 280/477;  
33/264**

[56] **References Cited**

**U.S. PATENT DOCUMENTS**

3,418,628	12/1968	Fenner .....	340/52
3,774,149	11/1973	Bennett .....	340/52 R
3,901,536	8/1975	Black .....	280/477
4,030,755	6/1977	Hill .....	280/477
4,187,494	2/1980	Jessee .....	340/52 R
4,199,756	4/1980	Dito .....	340/686
4,205,453	6/1980	Steele .....	33/180 AT
4,583,481	4/1986	Garrison .....	116/28 R
4,856,200	8/1989	Riggs .....	33/264

*Primary Examiner*—Wallace R. Burke

*Assistant Examiner*—Melody Brown  
*Attorney, Agent, or Firm*—Bernhard Kreten

[57] **CLAIM**

The ornamental design for a vehicle guidance device, as shown and described.

**DESCRIPTION**

FIG. 1 is a perspective view of a vehicle guidance showing my new design, it being understood that the broken lines are for illustrative purposes only and form no part of the claimed design;

FIG. 2 is a rear side view thereof of one member of the vehicle guidance device;

FIG. 3 is a left side view thereof;

FIG. 4 is a front side view thereof;

FIG. 5 is a right side view thereof;

FIG. 6 is a bottom view thereof;

FIG. 7 is a top view thereof;

FIG. 8 is a rear side view thereof of the second member of the vehicle guidance device;

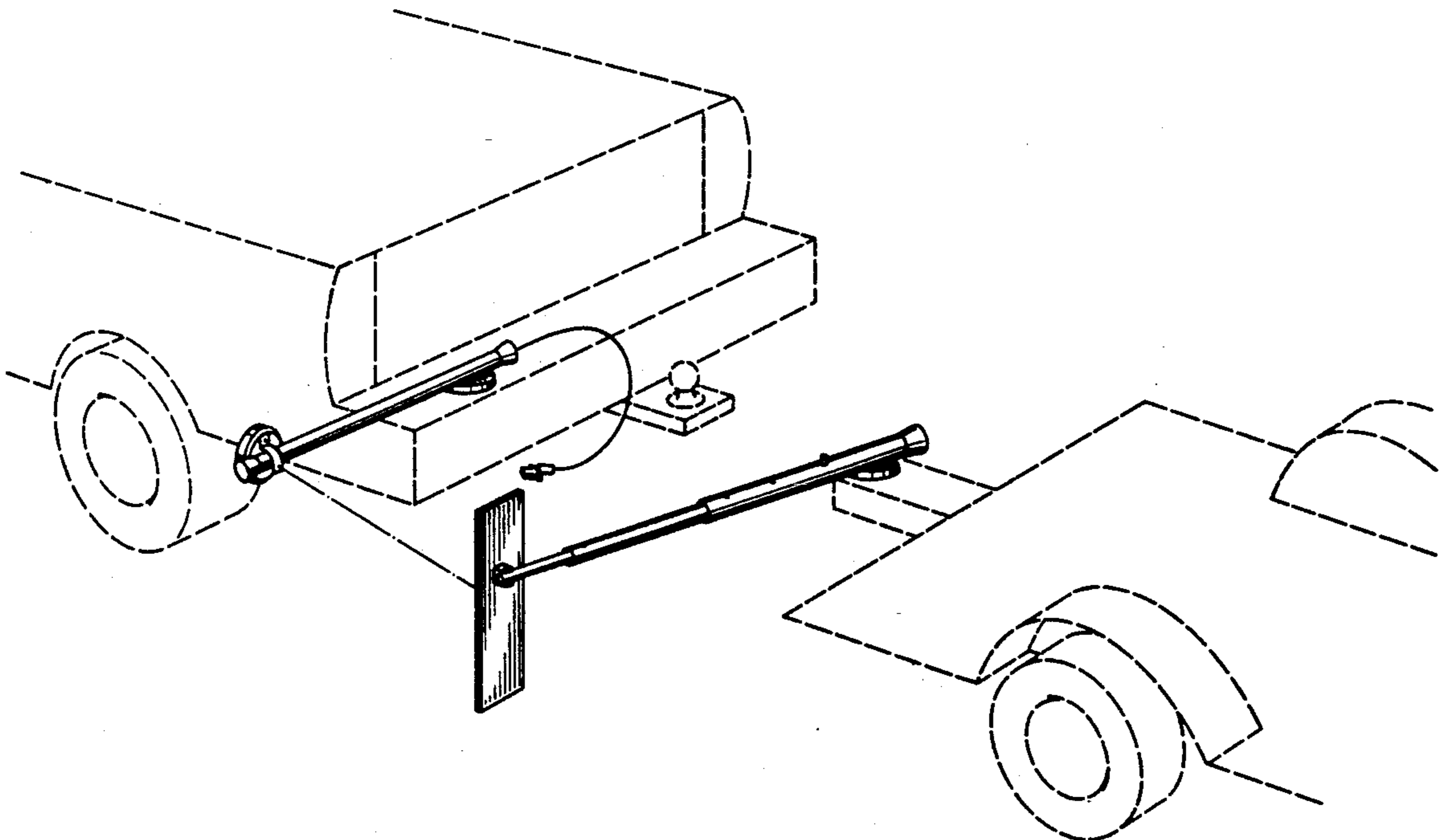
FIG. 9 is a right side view thereof;

FIG. 10 is a front side view thereof;

FIG. 11 is a right side view thereof;

FIG. 12 is a bottom view thereof; and,

FIG. 13 is a top view thereof.



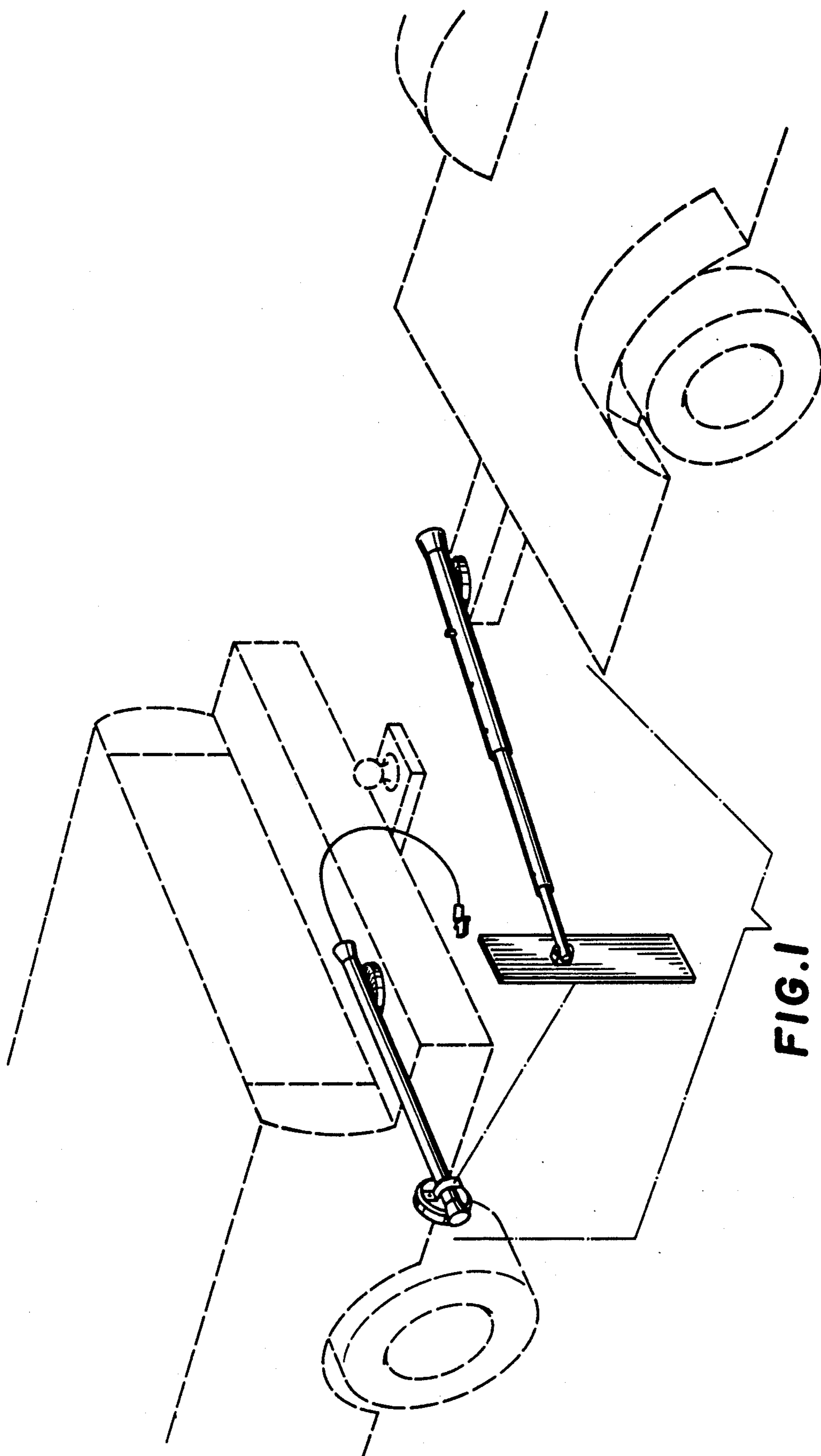


FIG. 1



FIG. 2



FIG. 3

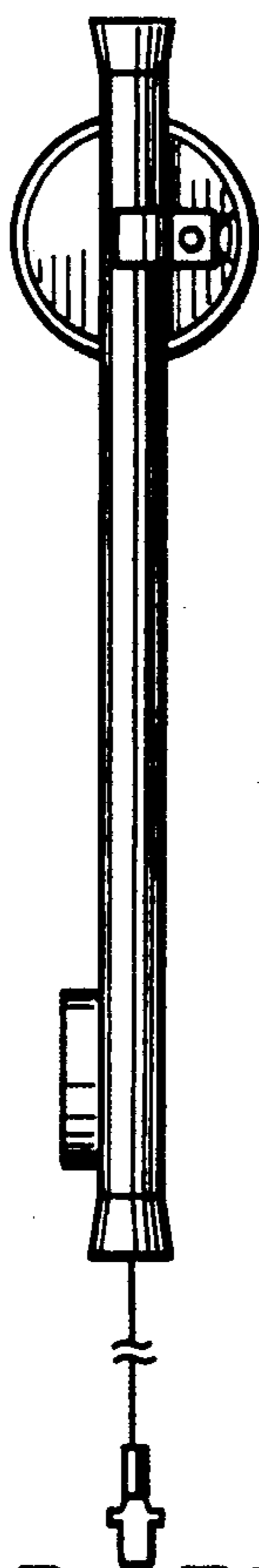


FIG. 4

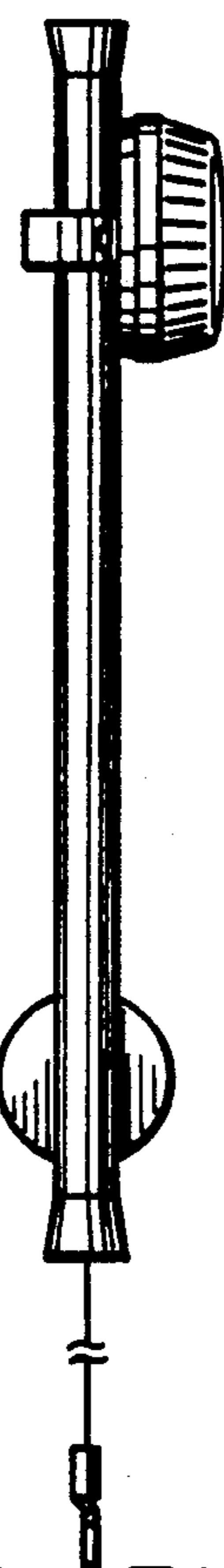


FIG. 5

FIG. 6

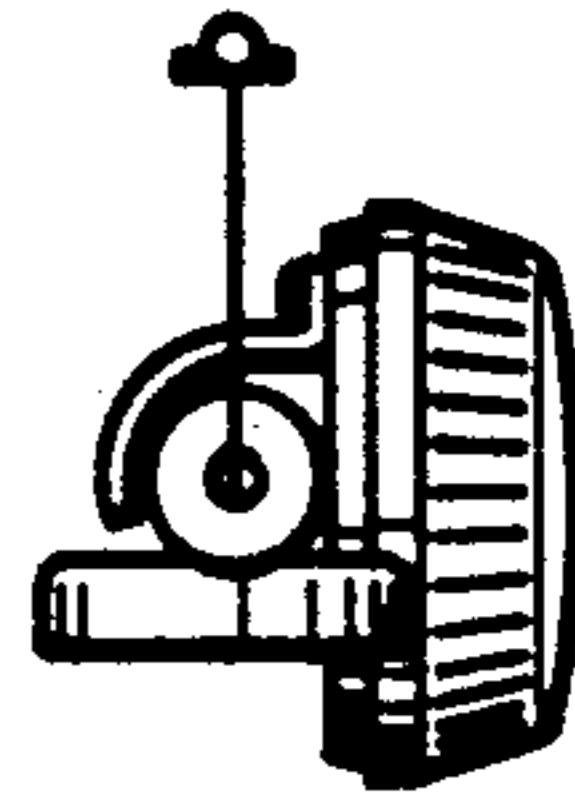


FIG. 7

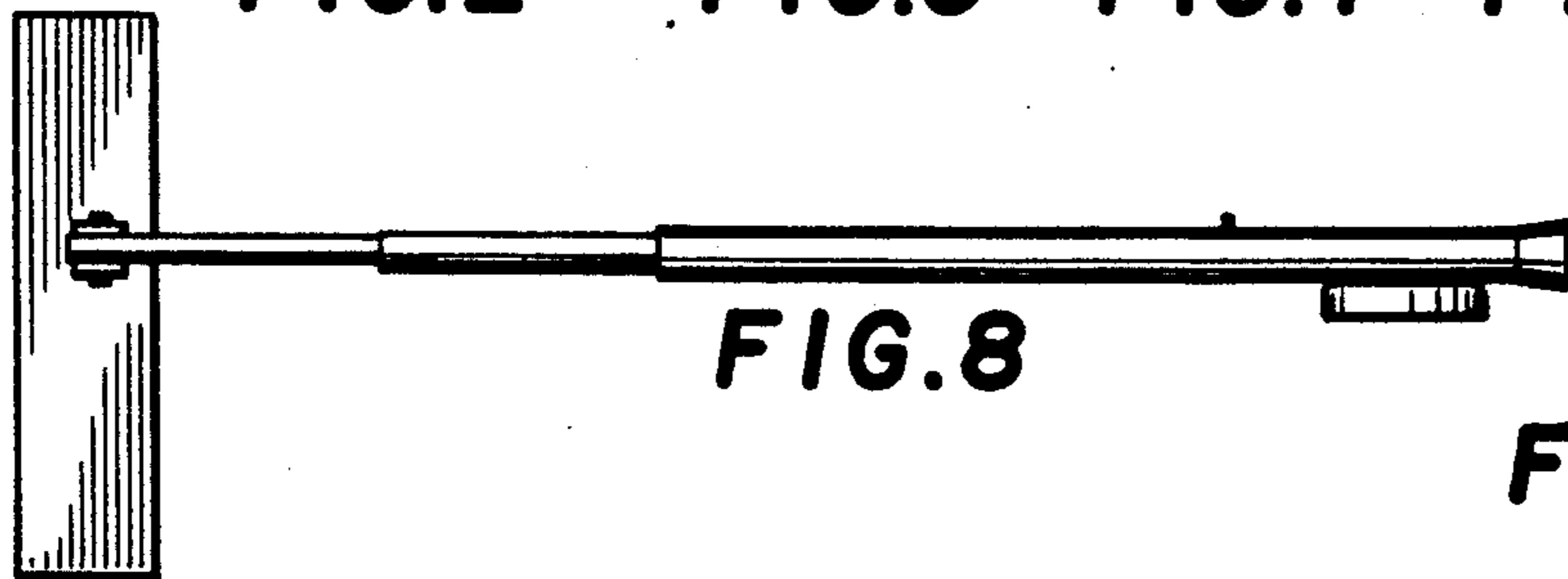
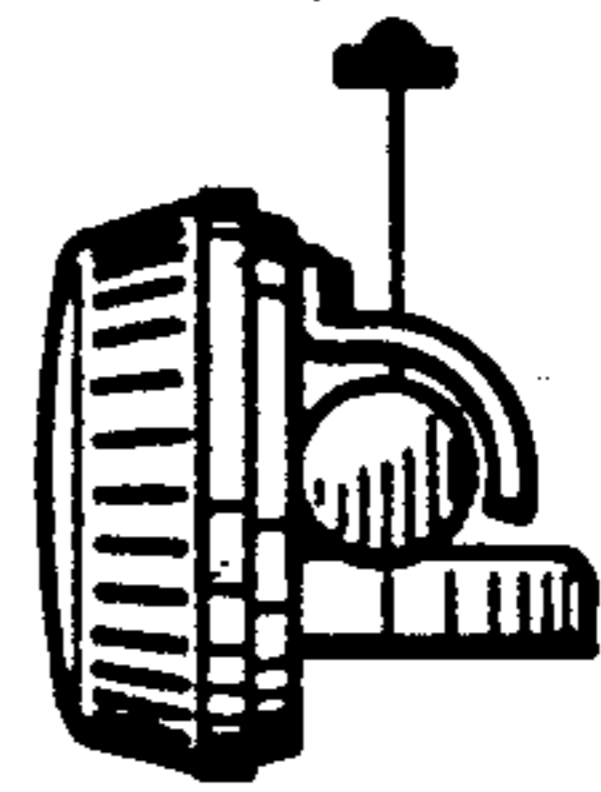


FIG. 8



FIG. 12

FIG. 13



FIG. 9

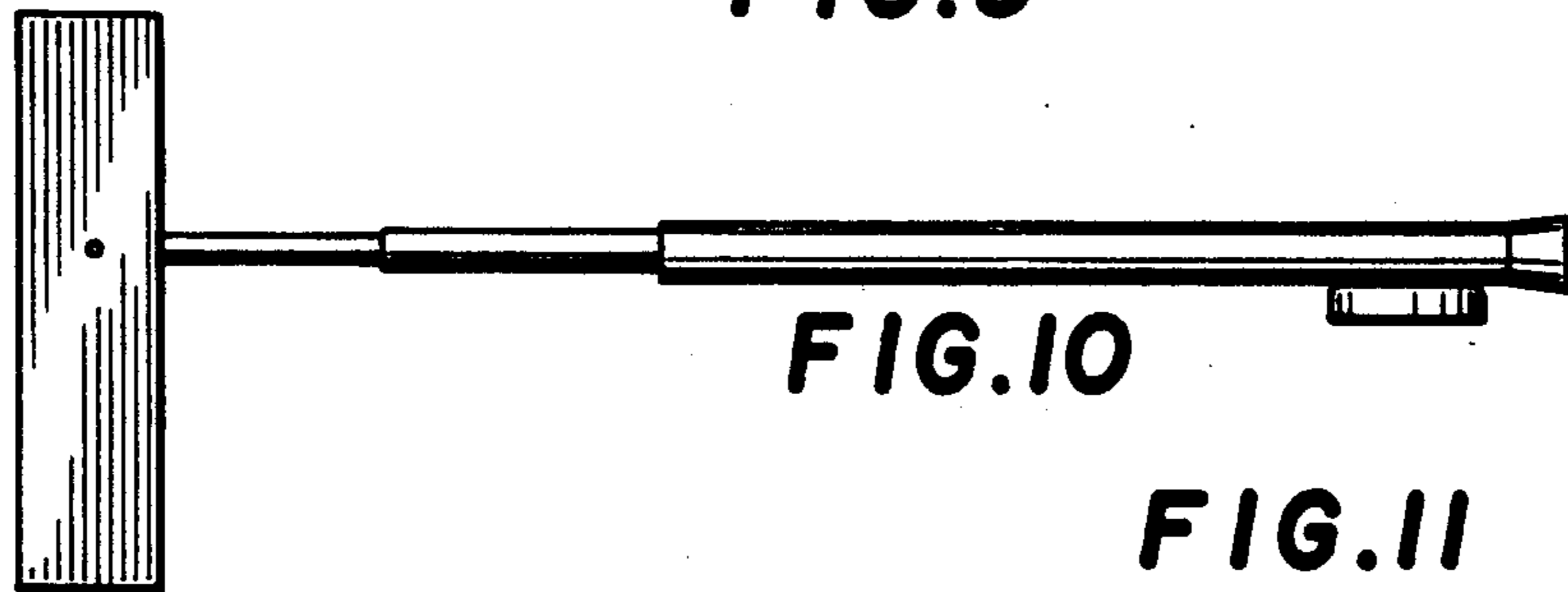


FIG. 10

FIG. 11

