



US00D338643S

United States Patent [19]

[11] Patent Number: **Des. 338,643**

Fuller et al.

[45] Date of Patent: **** Aug. 24, 1993**

[54] **HEELREST FOR MOTORCYCLES**

Chrome-Plated Heel/Toe Gear Shifter for 84-87 Honda Gold Wing Motorcycle.

[75] Inventors: **S. Wyatt Fuller, Parkland, Fla.; Alwin J. Stahel, St. Paul, Minn.**

Primary Examiner—Wallace R. Burke
Assistant Examiner—Melody Brown
Attorney, Agent, or Firm—Glen E. Schumann

[73] Assignee: **KuryAkyn Holdings, Inc., Somerset, Wis.**

[57] **CLAIM**

[**] Term: **14 Years**

The ornamental design for a heelrest for motorcycles, as shown.

[21] Appl. No.: **835,263**

DESCRIPTION

[22] Filed: **Feb. 13, 1992**

FIG. 1 is a top, rear and right side perspective view of a right side heelrest for motorcycles showing my new design;

[52] U.S. Cl. **D12/114**

FIG. 2 is a side elevation view as seen from left to right; FIG. 3 is a side elevation view as seen from the side opposite that shown in FIG. 2;

[58] Field of Search **D12/114, 179, 125; 280/291, 288.4; 180/219, 311; 74/594.4, 594.6**

FIG. 4 is a top plan view thereof;

[56] **References Cited**

U.S. PATENT DOCUMENTS

- D. 282,154 1/1986 Cruze et al. D12/114
- D. 316,697 5/1991 Beiser D12/125
- D. 319,037 8/1991 Hoepfner, III D12/114
- D. 333,113 2/1993 Nestrud D12/125

FIG. 5 is a bottom plan view thereof;

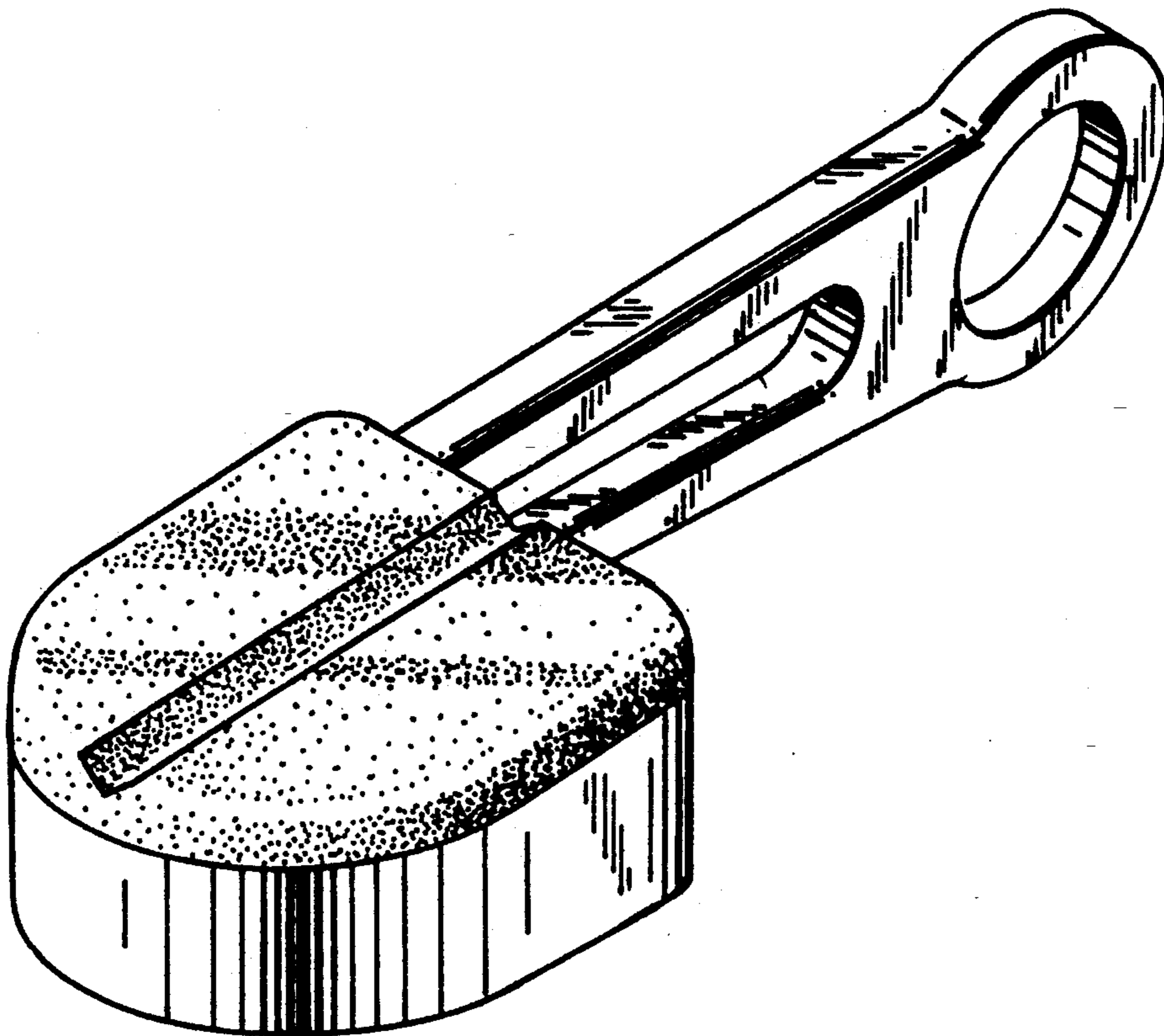
FIG. 6 is a rear view thereof;

FIG. 7 is a rear elevational view thereof, the heelrest having been rotated 180 degrees with the heelrest cushion repositioned to provide a heelrest for the left side of a motorcycle; and,

OTHER PUBLICATIONS

J. C. Whitney & Co Catalog No. 495 P, ©1988, The

FIG. 8 is a top, rear and opposite side perspective view of that shown in FIG. 1 and of a left side mounted heelrest as shown in FIG. 7.



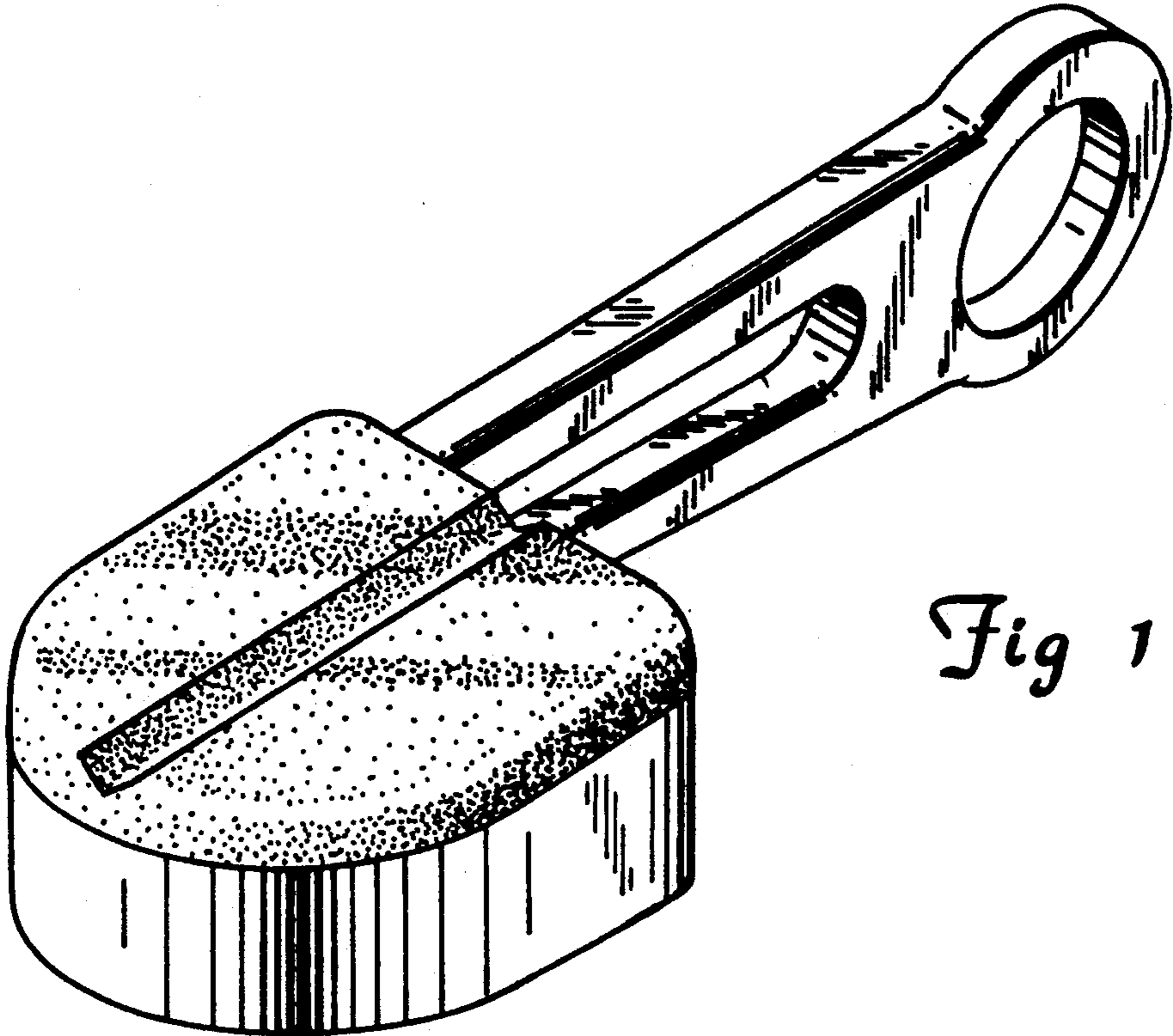


Fig 1

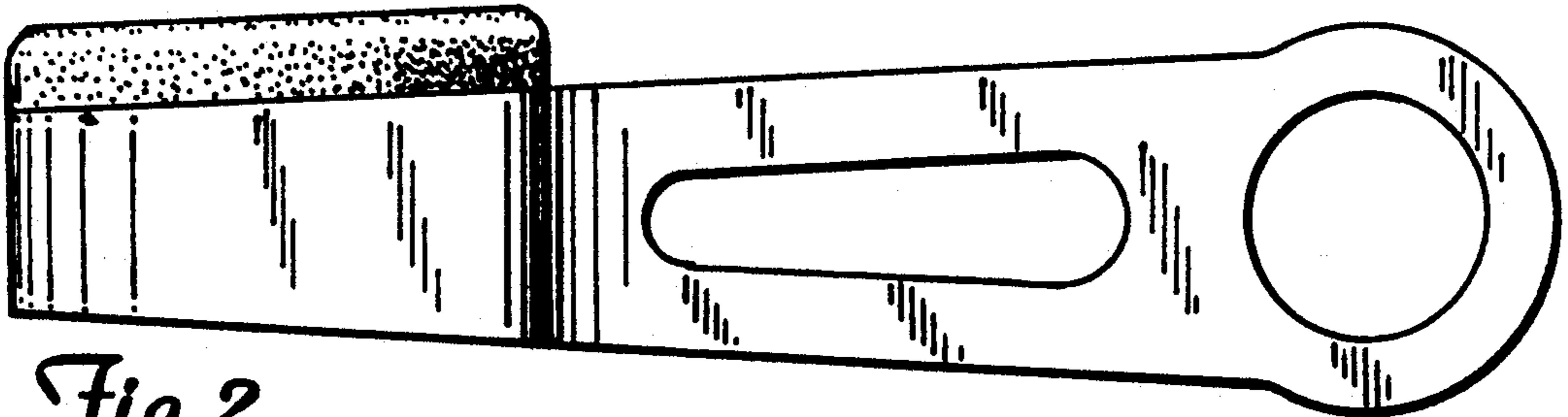


Fig 2

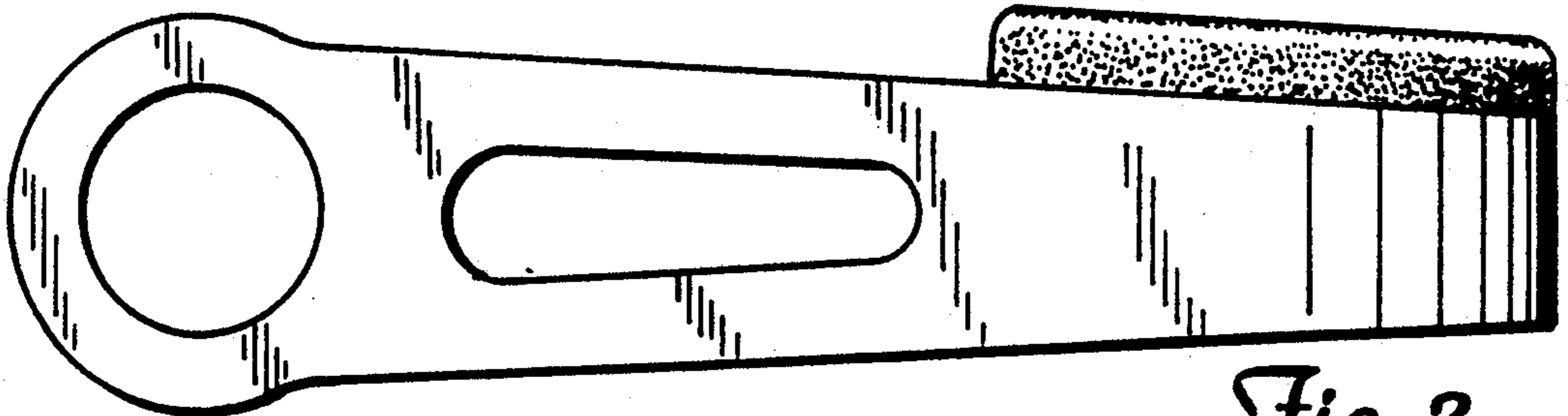


Fig 3

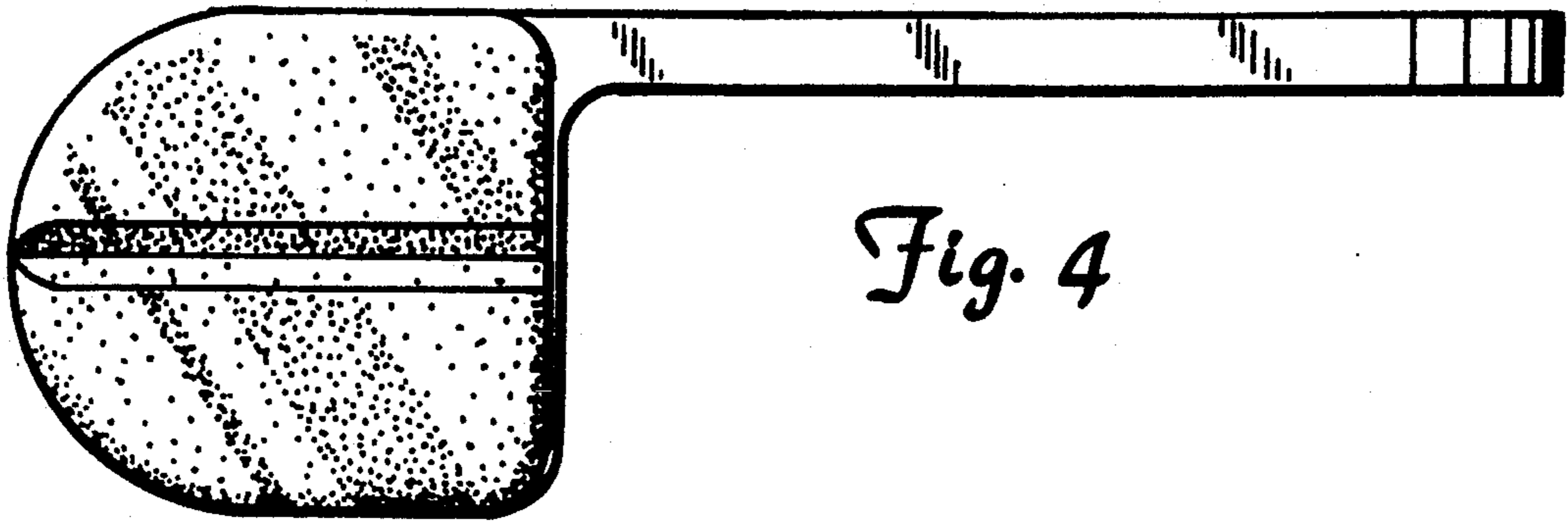


Fig. 4

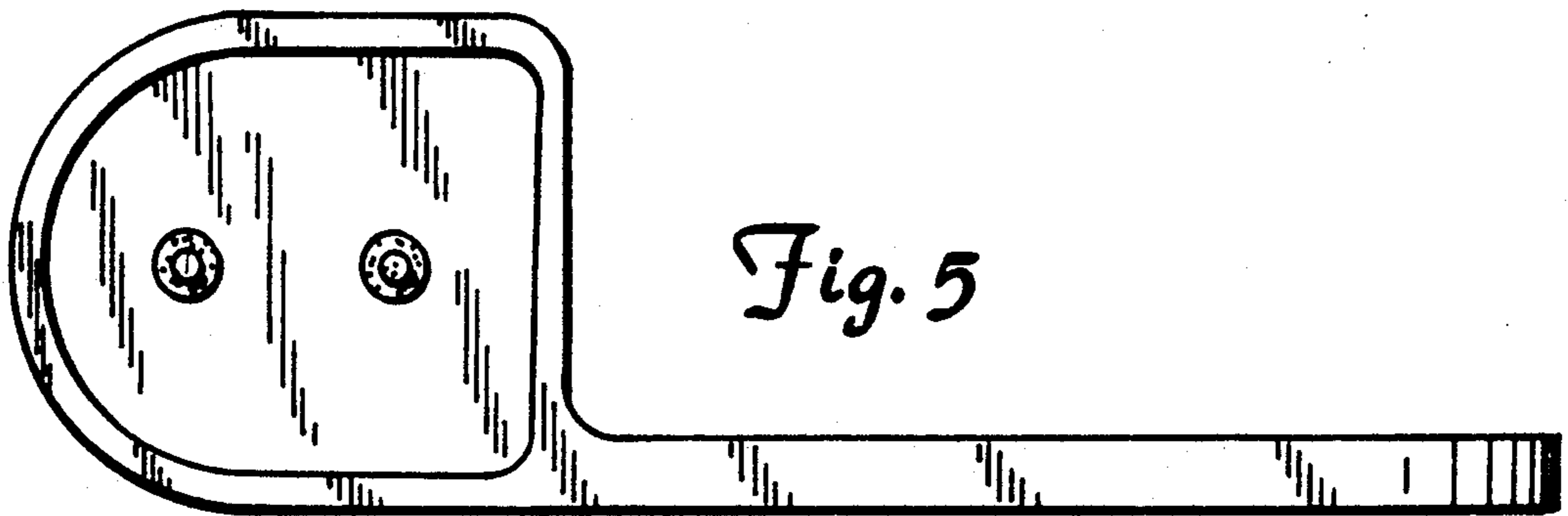


Fig. 5

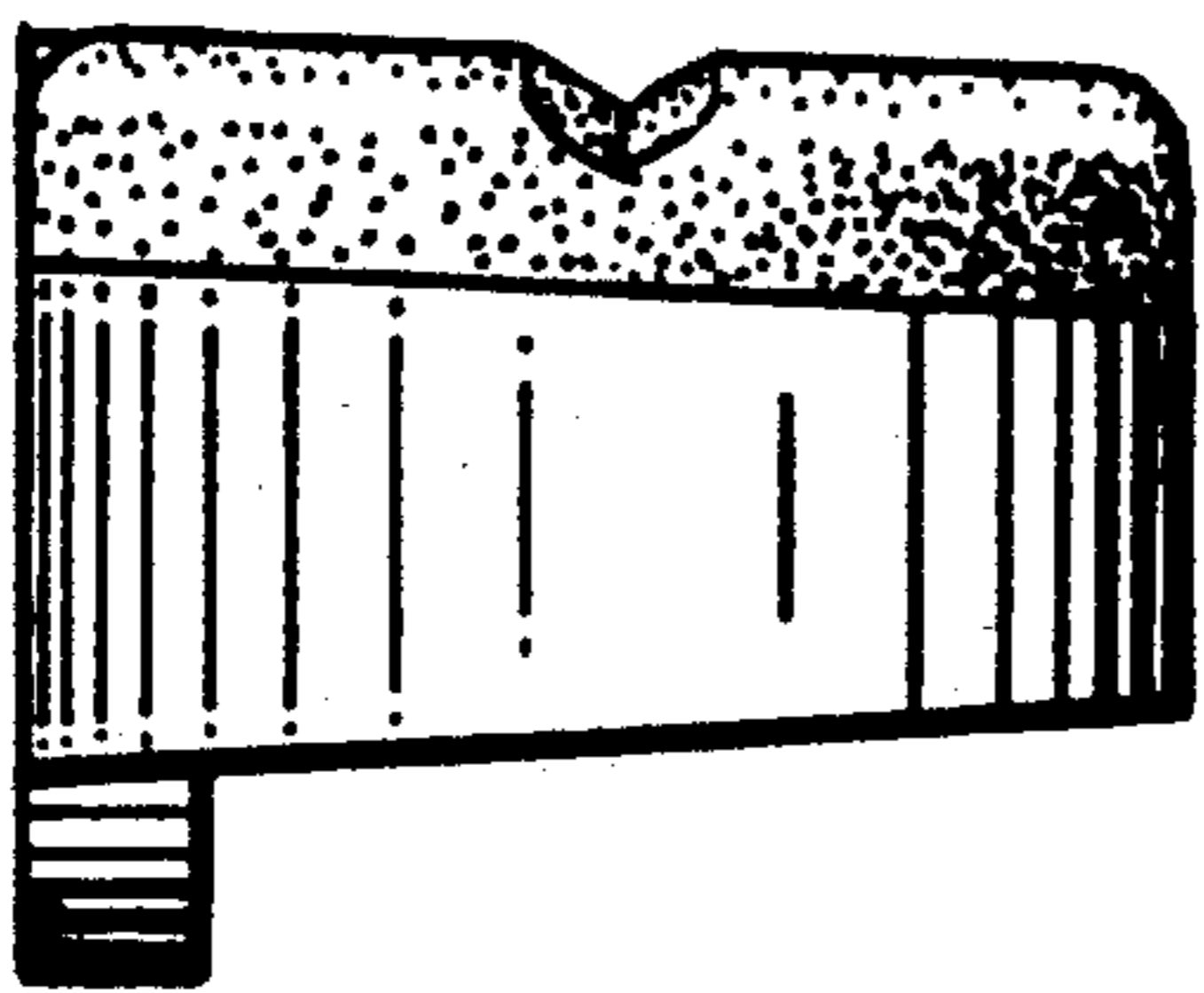


Fig. 6

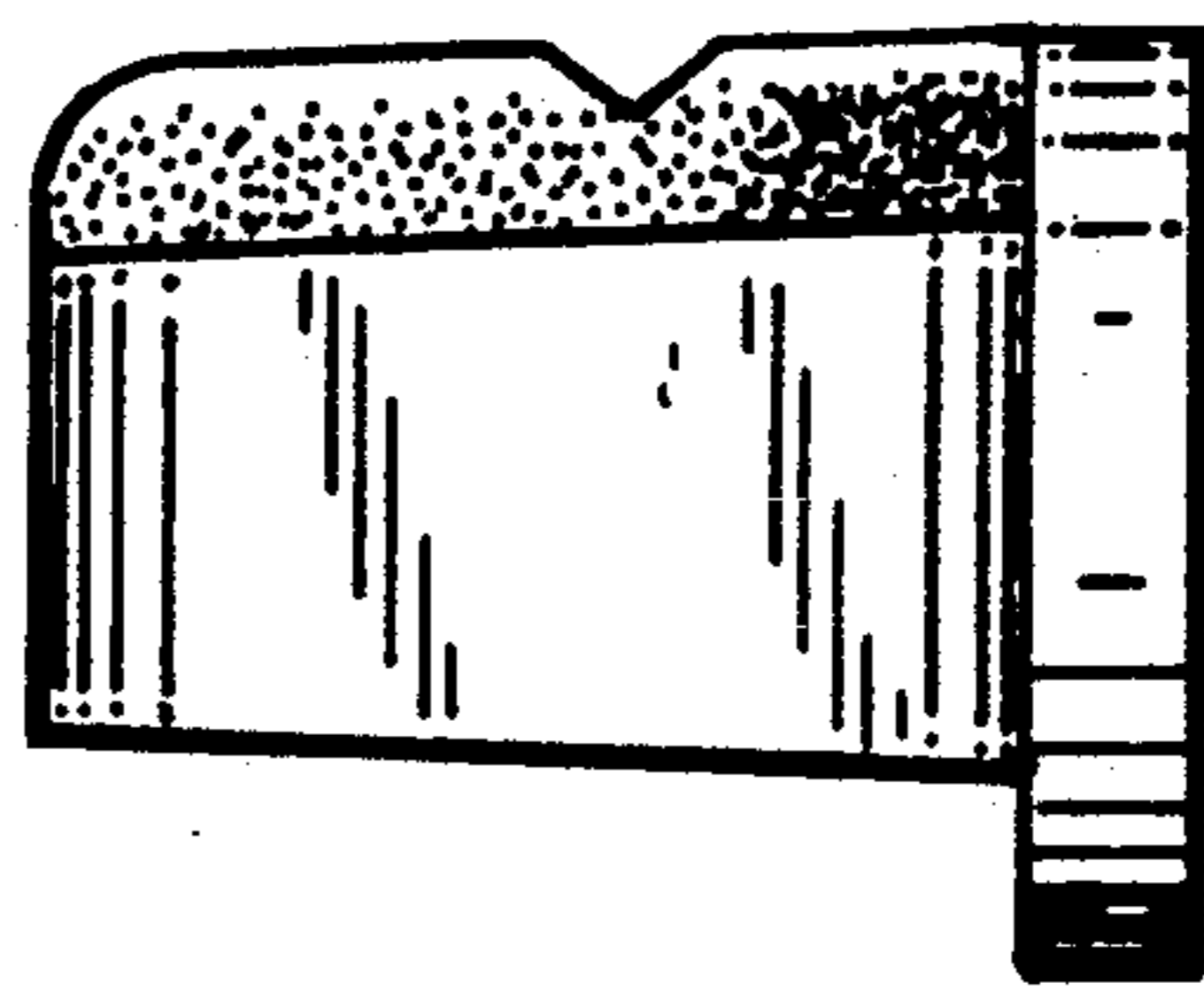


Fig. 7

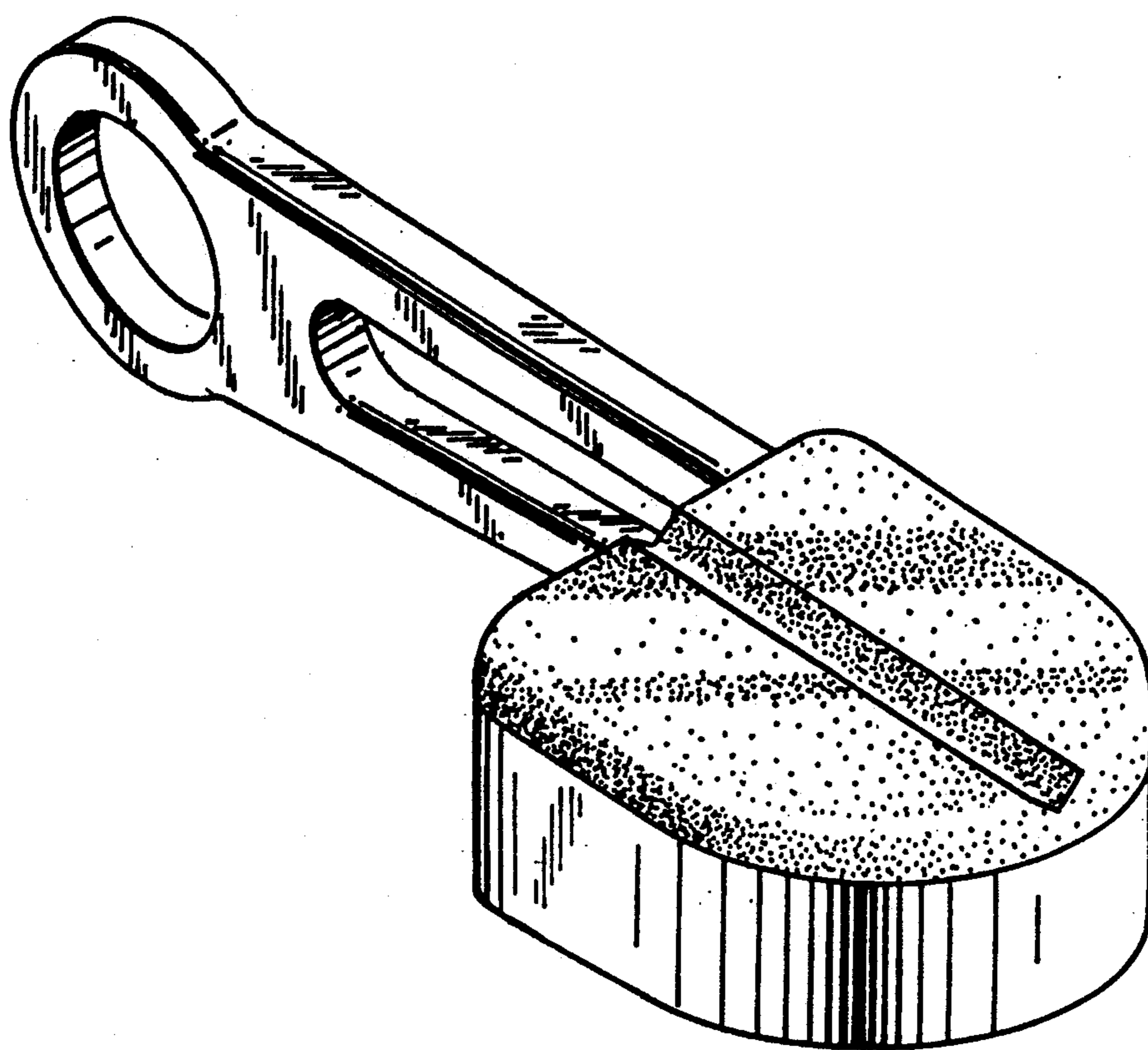


Fig. 8