



US00D338614S

# United States Patent [19]

[11] Patent Number: **Des. 338,614**

Pierce

[45] Date of Patent: **\*\* Aug. 24, 1993**

[54] **FASTENER FOR RECESSED MOUNTING TO LOCK ABUTTING BOARDS**

### FOREIGN PATENT DOCUMENTS

[76] Inventor: **Michael K. Pierce, 304 Sky Vista Way, Fallbrook, Calif. 92028**

0370334 5/1990 European Pat. Off. .... 403/294  
0532140 9/1928 Fed. Rep. of Germany ..... 403/294  
2064699 6/1981 United Kingdom ..... 403/294

[\*\*] Term: **14 Years**

### OTHER PUBLICATIONS

[21] Appl. No.: **520,339**

Seastrom Manuf. Co. Inc., p. 12 insulator #5210, middle right.

[22] Filed: **May 7, 1990**

Plastiglide Spacers, Washers, p. 10, model 167-N-N-5000 and 167-NN-4003.

[52] U.S. Cl. .... **D8/382**

*Primary Examiner*—Bernard Ansher

[58] Field of Search ..... D8/382, 294, 395, 400, D8/402; D21/104, 105, 108; 403/292, 293, 294, 405.1, 286, 404; 411/457-468; 416/108

*Assistant Examiner*—Sandra Morris

### [57] CLAIM

### [56] References Cited

The ornamental design of a fastener for recessed mounting to lock abutting boards, as shown and described.

#### U.S. PATENT DOCUMENTS

### DESCRIPTION

154,580	9/1874	Buckner, Jr. ....	403/294
D. 294,006	2/1988	Gygax et al. ....	D8/395
D. 310,780	9/1990	Kelley et al. ....	D8/382
435,025	8/1890	Schenck ....	403/286
778,809	12/1904	Stokes ....	411/467
2,082,138	6/1937	Badel ....	D21/108
2,337,963	12/1943	Bergstrom ....	403/286
2,378,562	6/1945	Lahr ....	403/294
3,425,721	2/1969	Agee ....	403/294
4,050,211	9/1977	Wahman ....	403/294

FIG. 1 is a perspective view of a fastener for recessed mounting to lock abutting boards showing my new design, the abutting boards being shown in broken lines for illustrative purposes only;

FIG. 2 is a top plan view thereof;

FIG. 3 is a front elevational view thereof, the rear being a mirror image;

FIG. 4 is a side elevational view thereof, the opposite side being a mirror image; and,

FIG. 5 is a bottom plan view thereof.

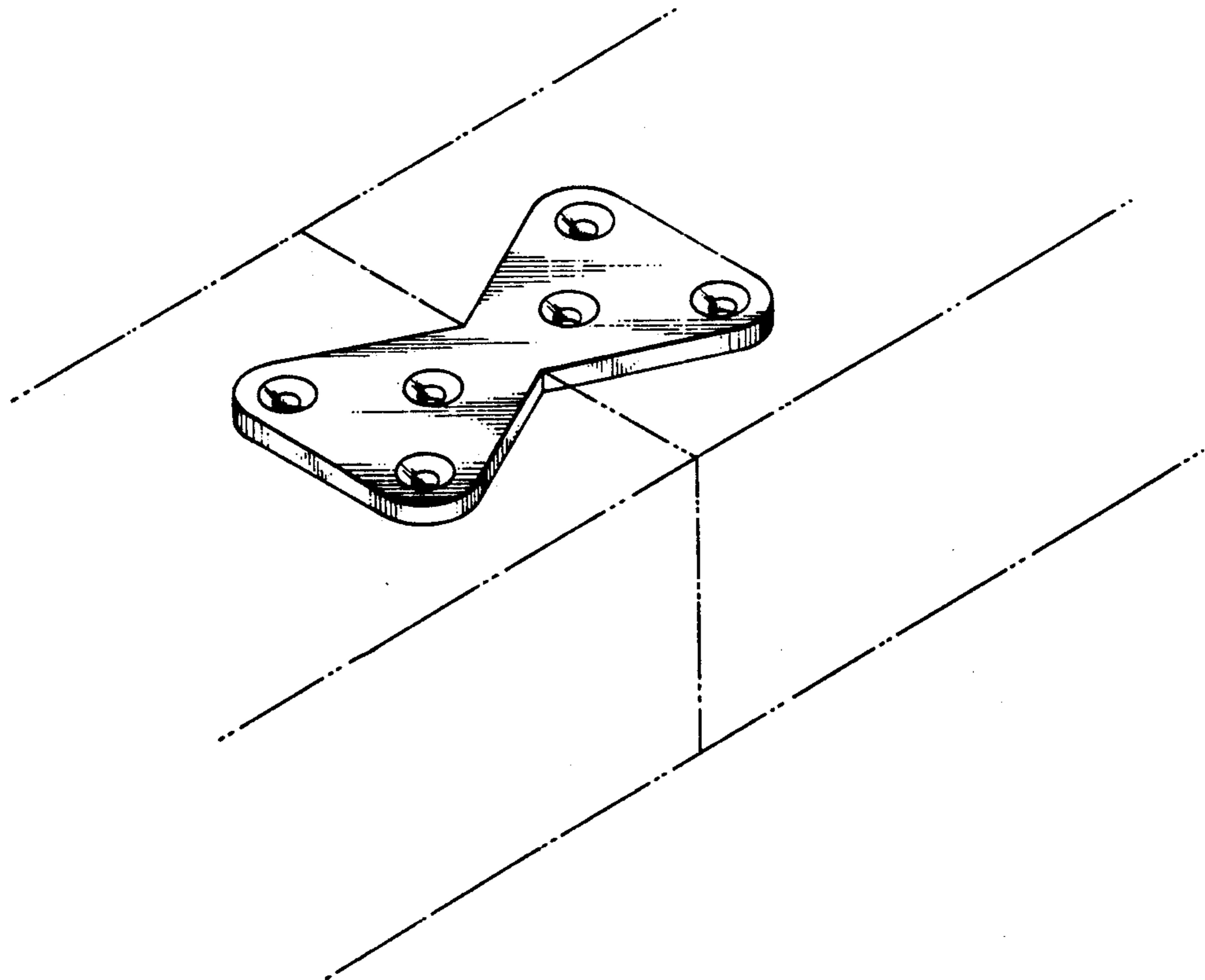


FIG. 1

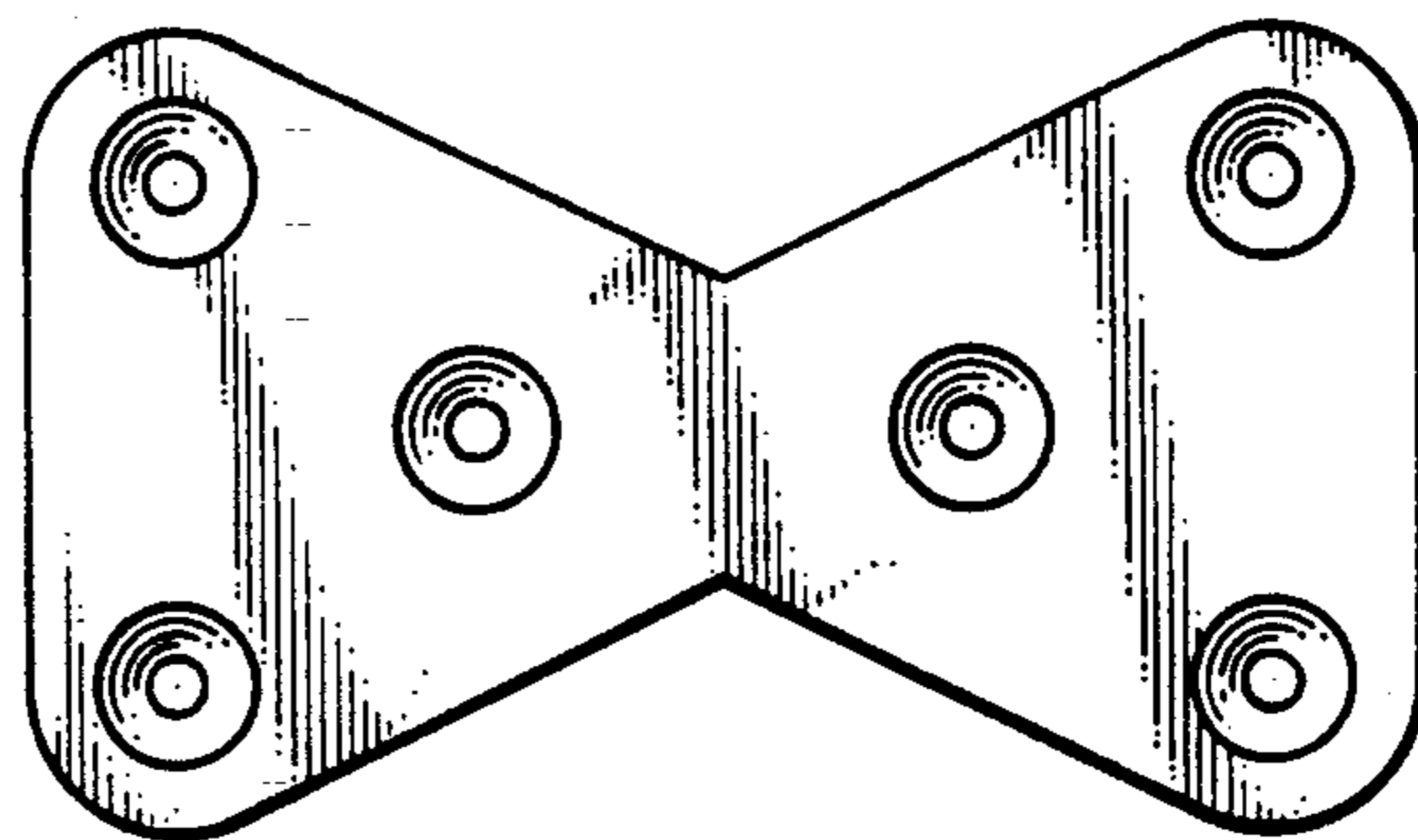
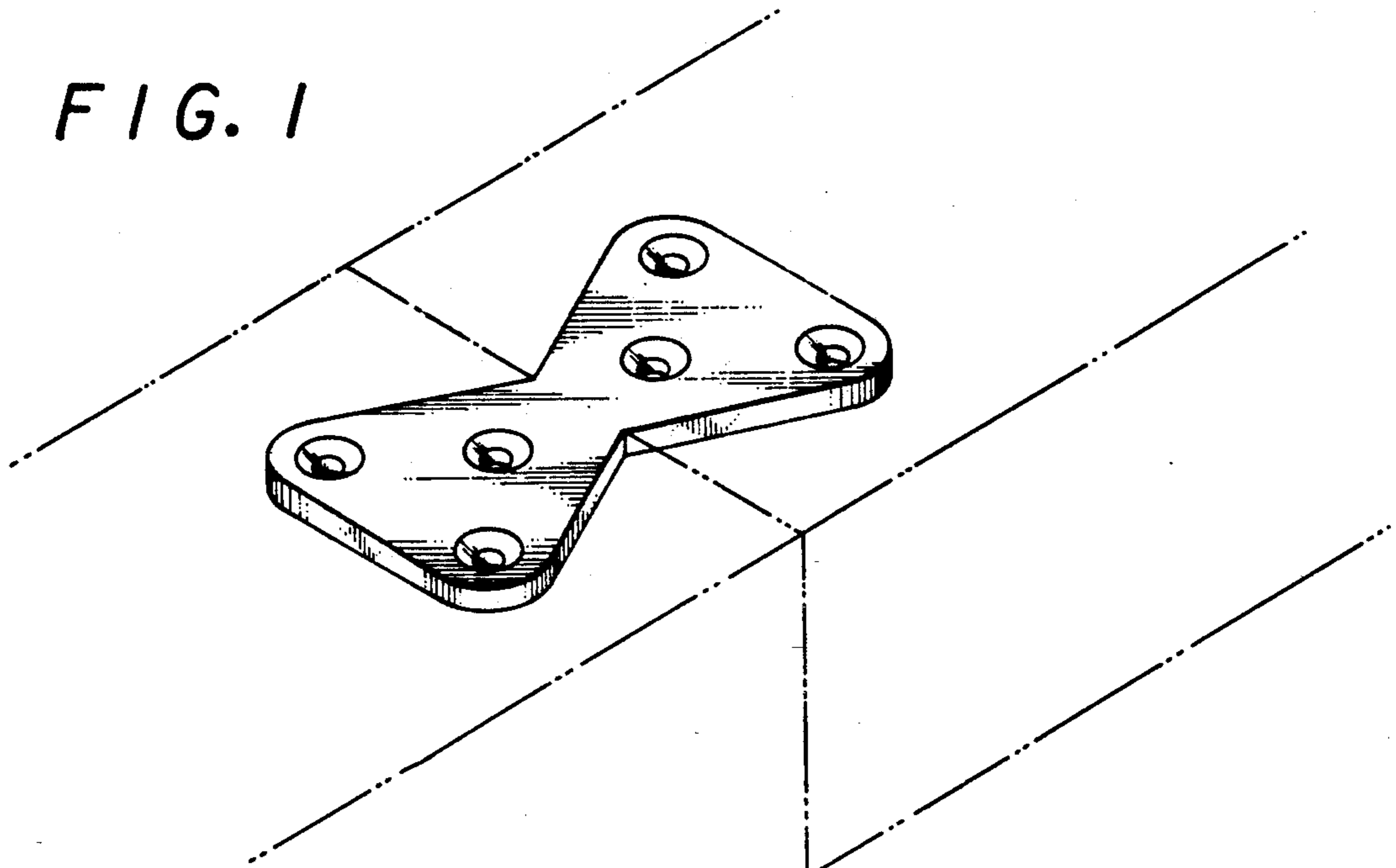


FIG. 2



FIG. 3



FIG. 4

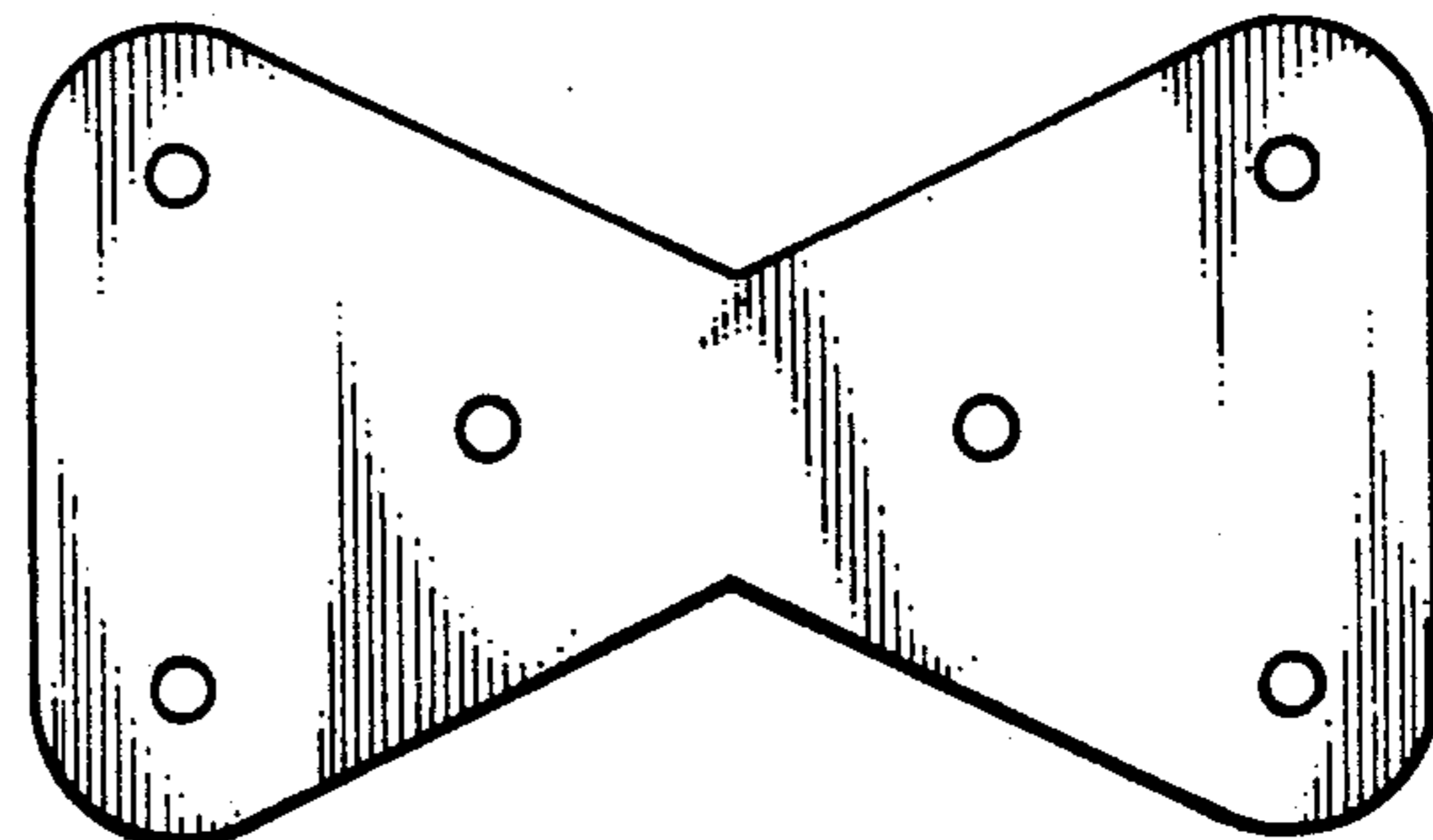


FIG. 5