



US00D338612S

**United States Patent** [19]  
**Hampshire**

[11] **Patent Number: Des. 338,612**

[45] **Date of Patent: \*\* Aug. 24, 1993**

[54] **HANGER HOLDER**

[76] **Inventor: James Hampshire, 32572 S. Burr Oak, Solon, Ohio 44139**

[\*\*] **Term: 14 Years**

[21] **Appl. No.: 636,386**

[22] **Filed: Dec. 31, 1990**

[52] **U.S. Cl. .... D8/372**

[58] **Field of Search ..... D8/372; 248/215; 211/96, 86-87, 105.1, 116**

[56] **References Cited**

**U.S. PATENT DOCUMENTS**

D. 228,852	10/1973	Vogelhuber et al. ....	D8/372 X
D. 271,546	11/1983	Smith .....	D8/380 X
2,215,345	9/1940	Bandlow .....	211/96
2,706,049	4/1955	Andrews .....	211/86
3,724,677	4/1973	Vogelhuber et al. ....	211/96

**FOREIGN PATENT DOCUMENTS**

56230 5/1967 Fed. Rep. of Germany ... 211/105.1

*Primary Examiner*—Wallace R. Burke  
*Assistant Examiner*—H. Baynham  
*Attorney, Agent, or Firm*—D. Peter Hochberg; Mark Kusner

[57] **CLAIM**

The ornamental design for a hanger holder, as shown and described.

**DESCRIPTION**

FIG. 1 is an isometric view of a hanger holder embodying my new design;  
FIG. 2 is a front view of the hanger holder shown in FIG. 1;  
FIG. 3 is a rear view of the hanger holder shown in FIG. 1;  
FIG. 4 is a top view of the hanger holder shown in FIG. 1;  
FIG. 5 is a bottom view of the hanger holder shown in FIG. 1; and,  
FIG. 6 is a left-hand view of the hanger holder shown in FIG. 1, a mirror image of the right-hand view thereof.

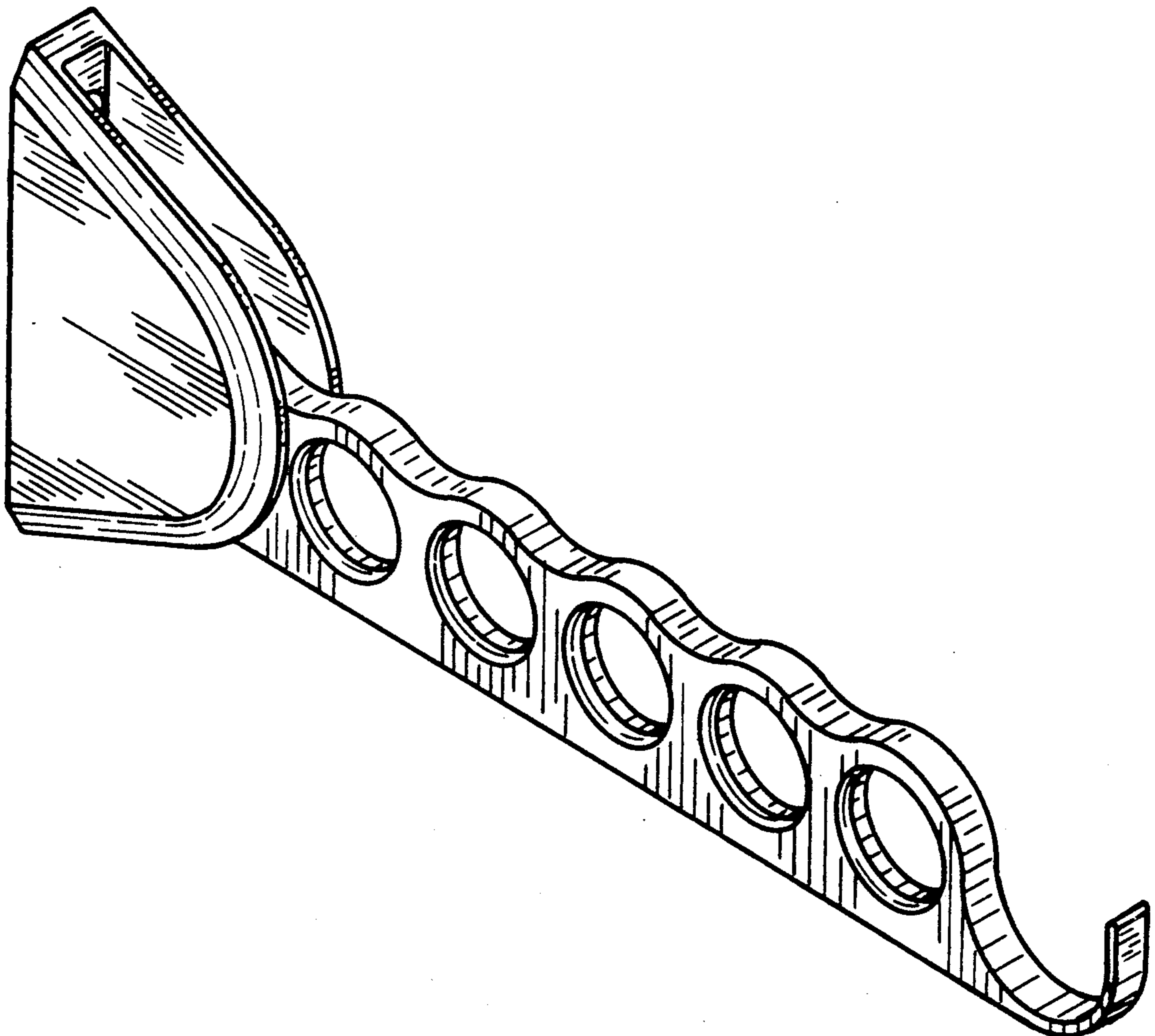




FIG. 3

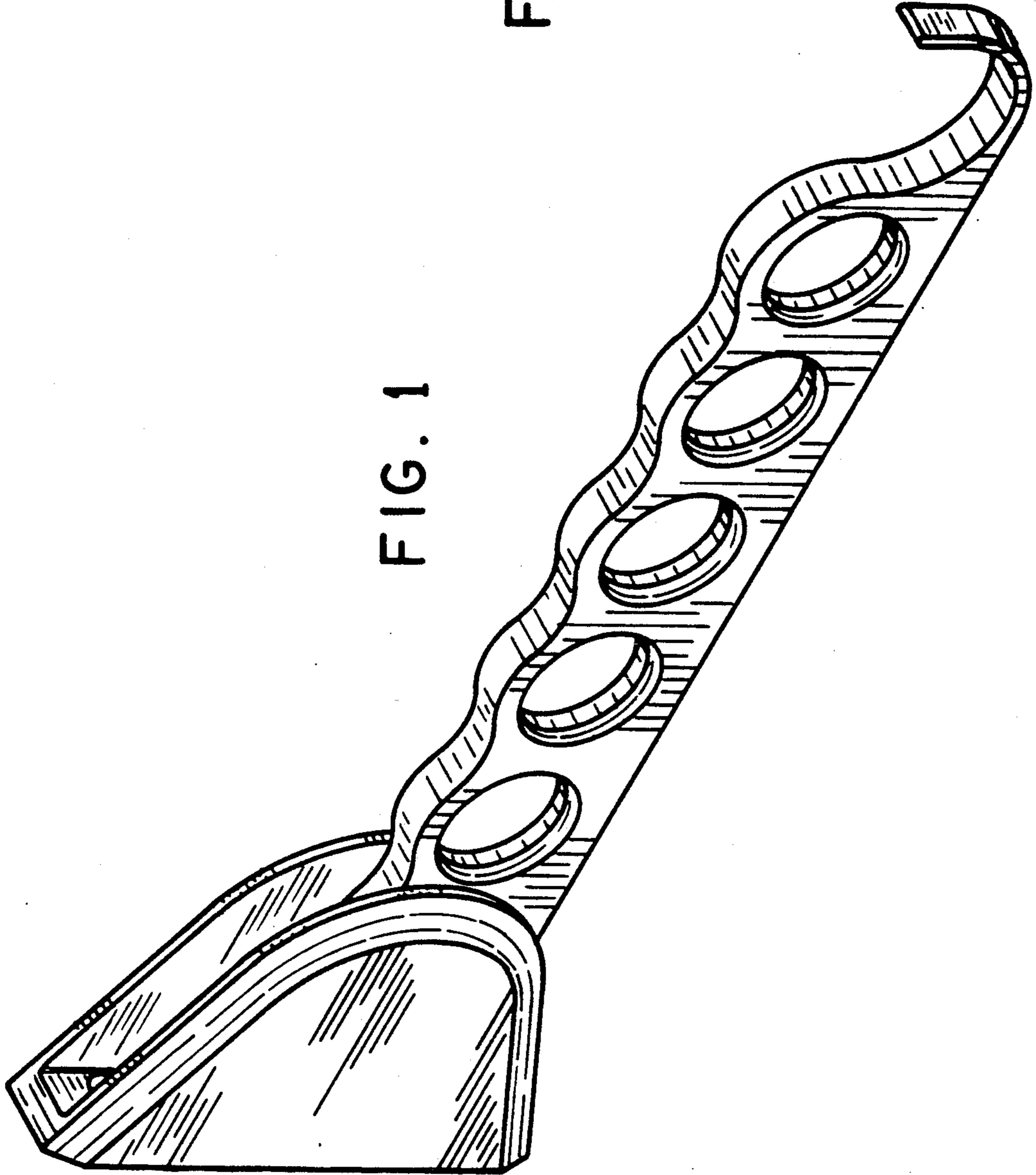


FIG. 1



FIG. 2

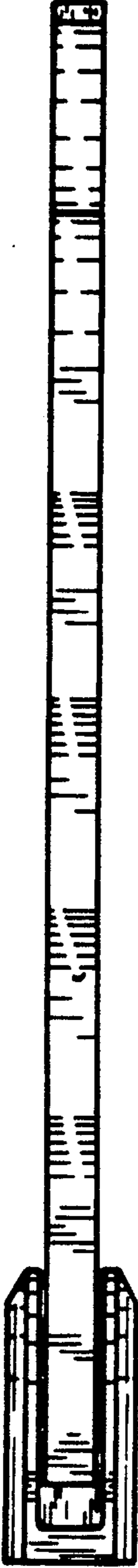


FIG. 4

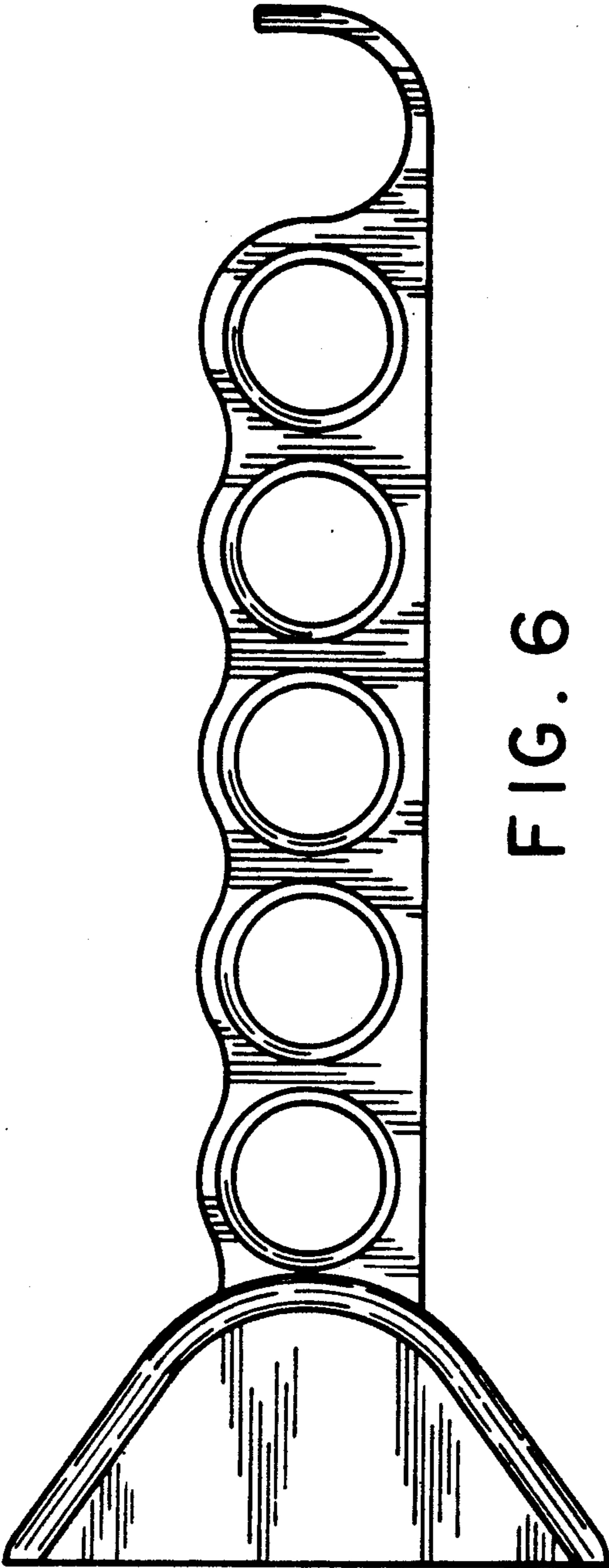


FIG. 6

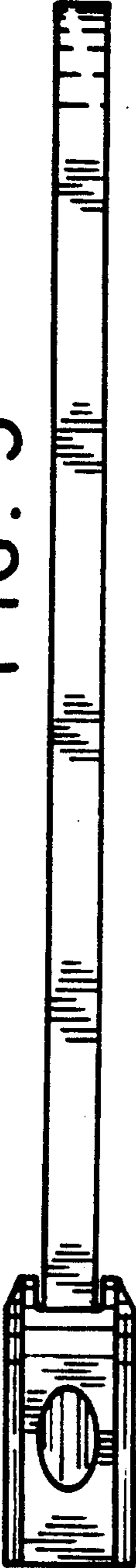


FIG. 5