



US00D338610S

United States Patent [19]

[11] Patent Number: Des. 338,610

Johansson

[45] Date of Patent: ** Aug. 24, 1993

[54] COMBINED REEL AND FLEXIBLE ELONGATED MATERIAL FOR USE AS A HOSE OR CABLE

[75] Inventor: Arne Johansson, Bjärnum, Sweden

[73] Assignee: AB PH.Nedermam & Co., Helsingborg, Sweden

[**] Term: 14 Years

[21] Appl. No.: 758,954

[22] Filed: Sep. 12, 1991

[52] U.S. Cl. D8/358

[58] Field of Search D8/358, 359; 239/48, 239/52; 242/73, 84.8, 86.86.1

[56] References Cited

U.S. PATENT DOCUMENTS

D. 226,165	1/1973	Miller	D8/358
D. 257,423	10/1980	Tiedemann	D8/358 X
D. 271,080	10/1983	Houghton	D8/358 X
D. 277,261	1/1985	King	D8/358
D. 282,049	1/1986	Nederman	D8/358
D. 289,492	4/1987	Clivio et al.	D8/359

OTHER PUBLICATIONS

New Equipment Digest, Oct. 1989, p. 119, hose reel, located at right of page.

Leichtung Handys, Fall 1985, p. 78, cord reel, item 1503 at right of page.

Primary Examiner—Wallace R. Burke

Assistant Examiner—H. Baynham

[57] CLAIM

The ornamental design for a combined reel and flexible elongated material for use as a hose or cable, as shown and described.

DESCRIPTION

FIG. 1 is a front elevational view of the combined reel and flexible elongated material for use as a hose or cable showing my new design;

FIG. 2 is a side elevational view thereof;

FIG. 3 is a side elevational view of the opposite side thereof;

FIG. 4 is a top plan view thereof;

FIG. 5 is a bottom plan view thereof;

FIG. 6 is a rear elevational view thereof;

FIG. 7 is a perspective front view thereof; and,

FIG. 8 is a perspective rear view thereof.

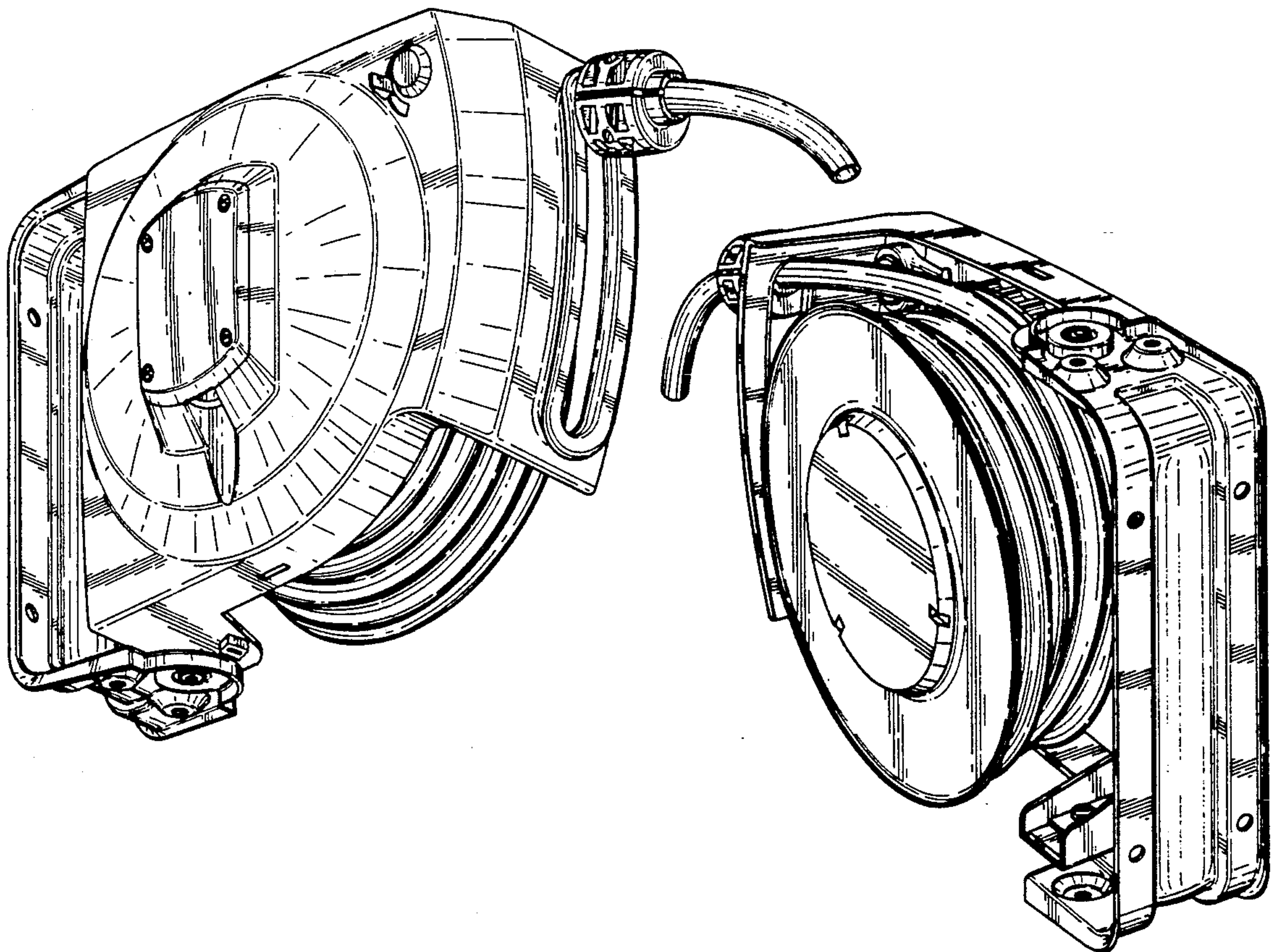


FIG. 1

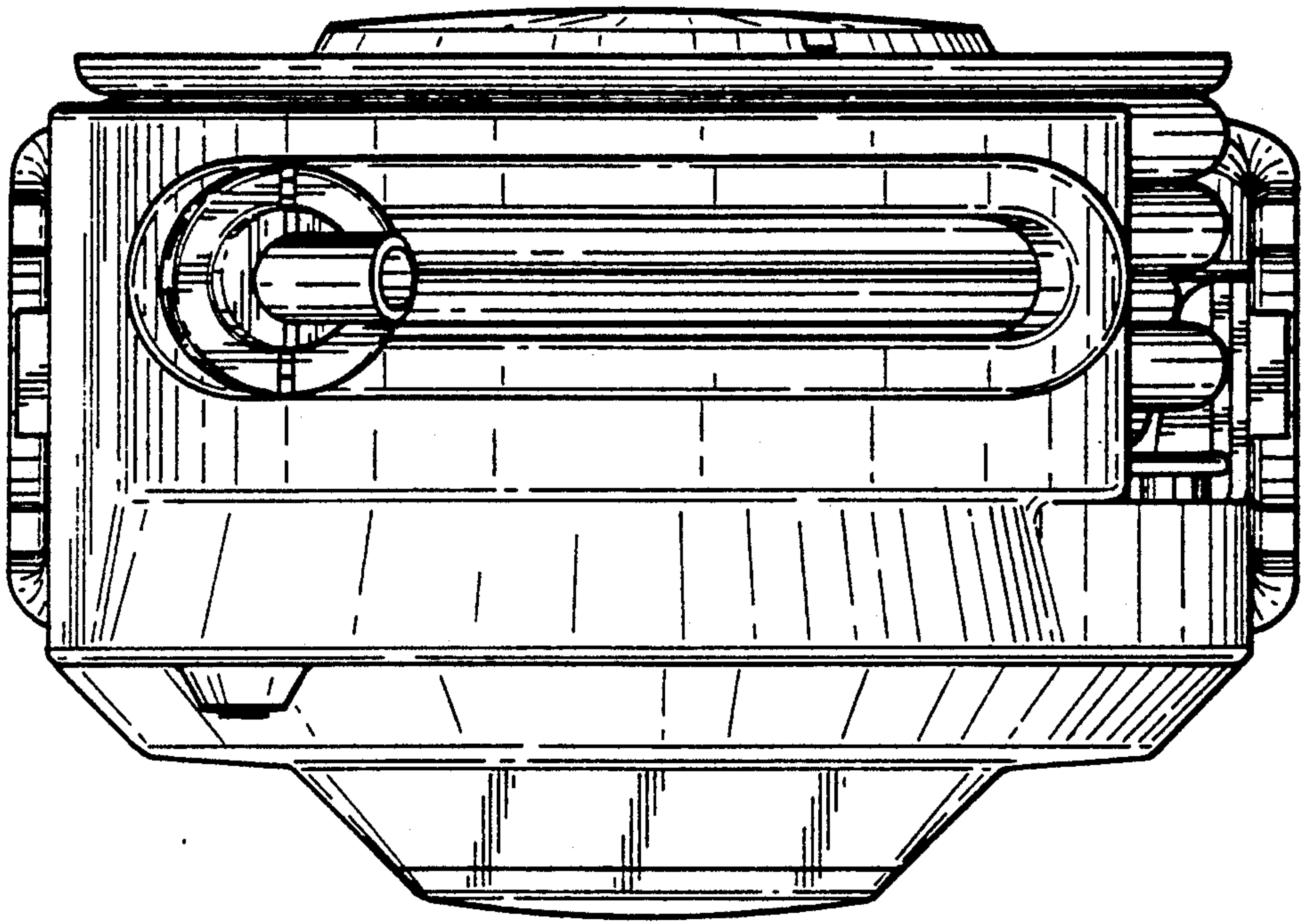
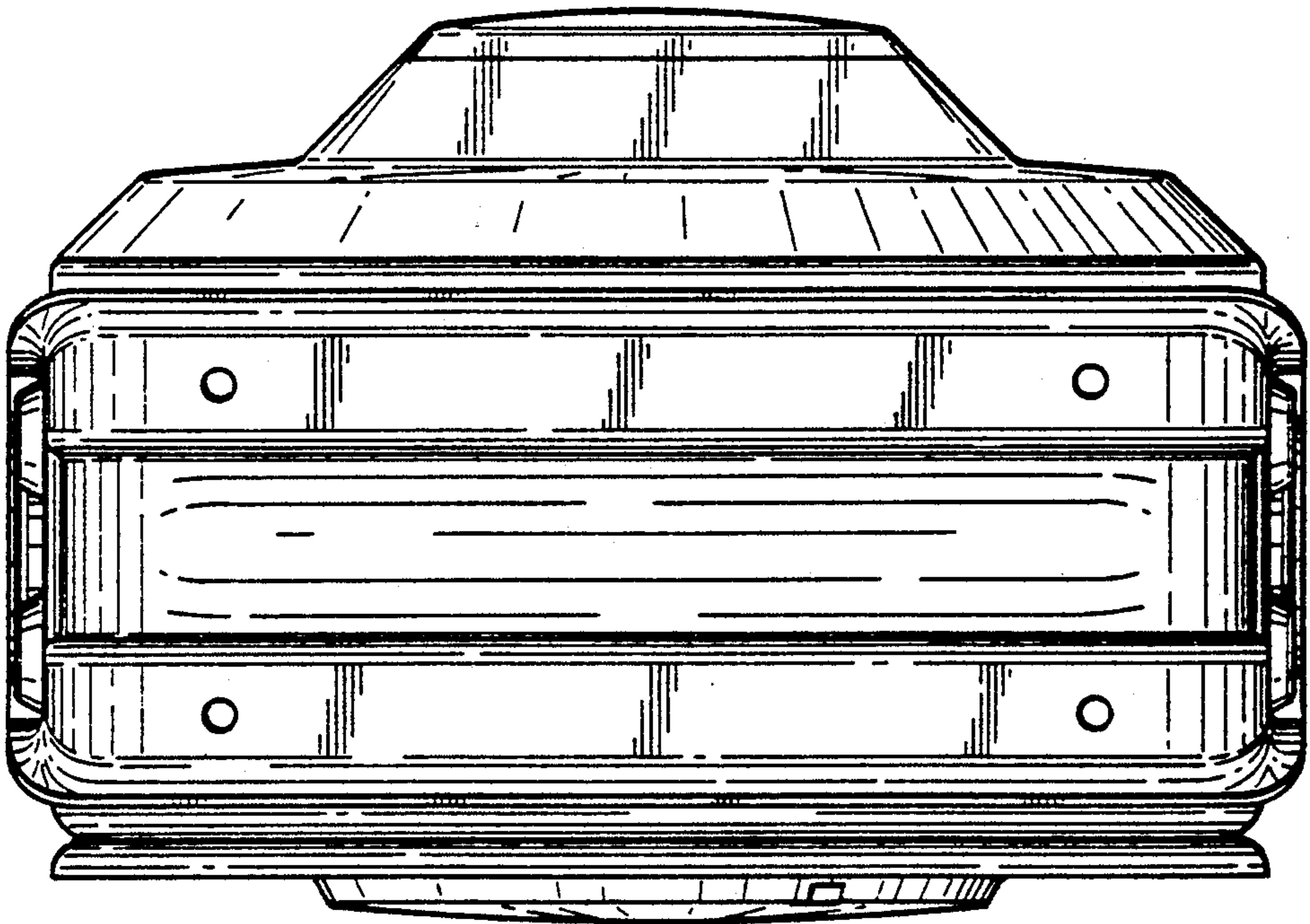


FIG. 6



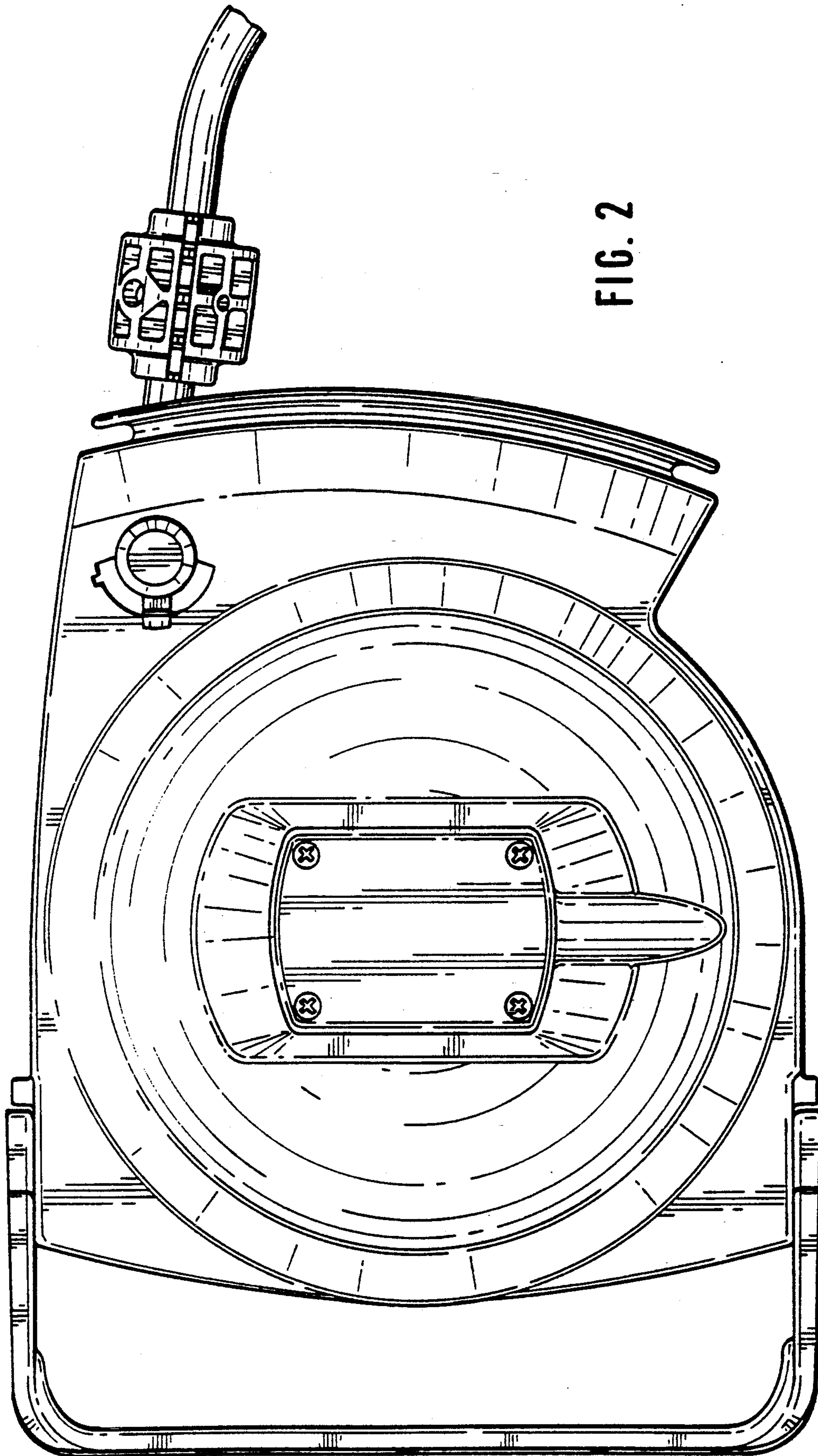


FIG. 2

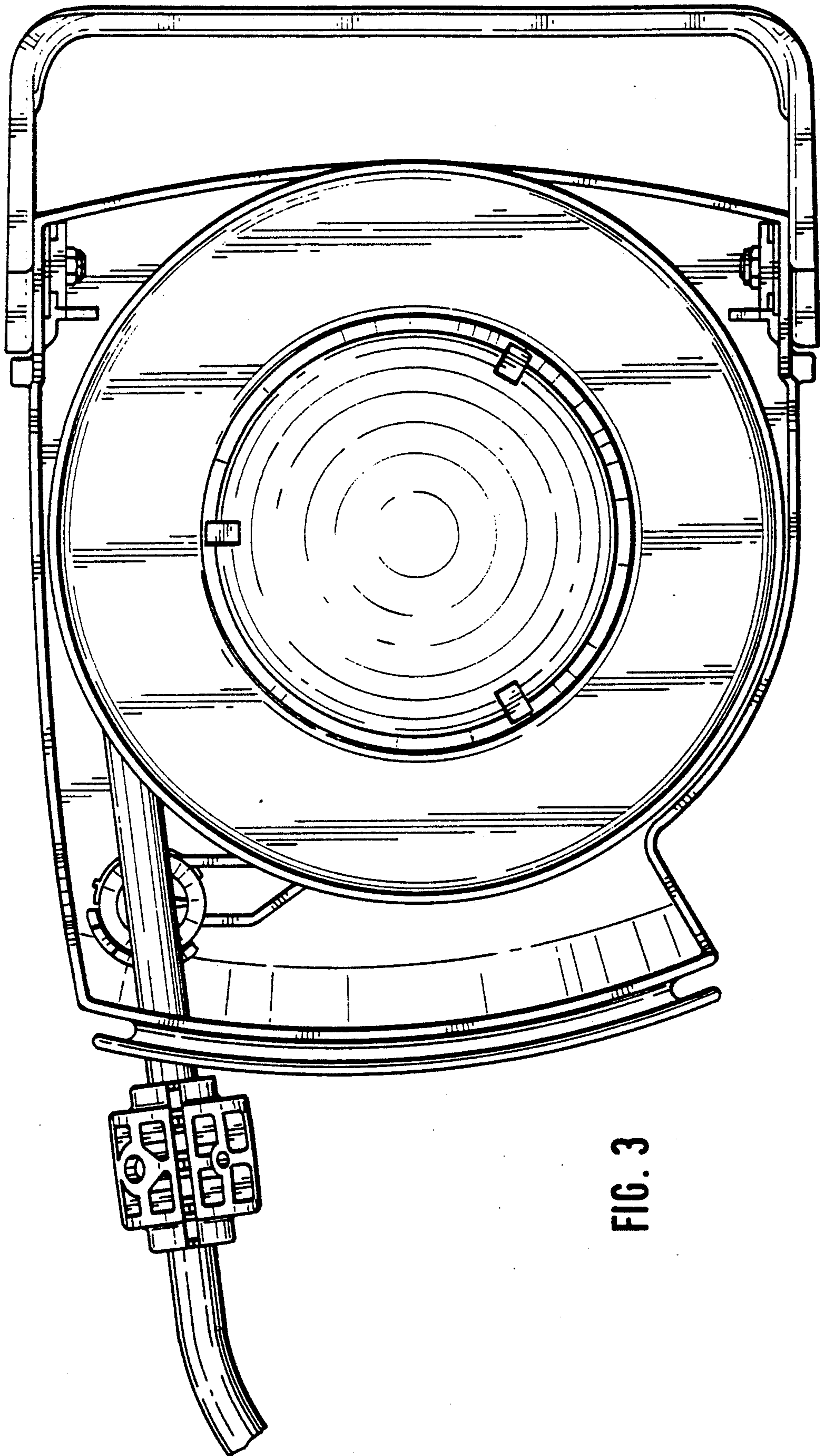


FIG. 3

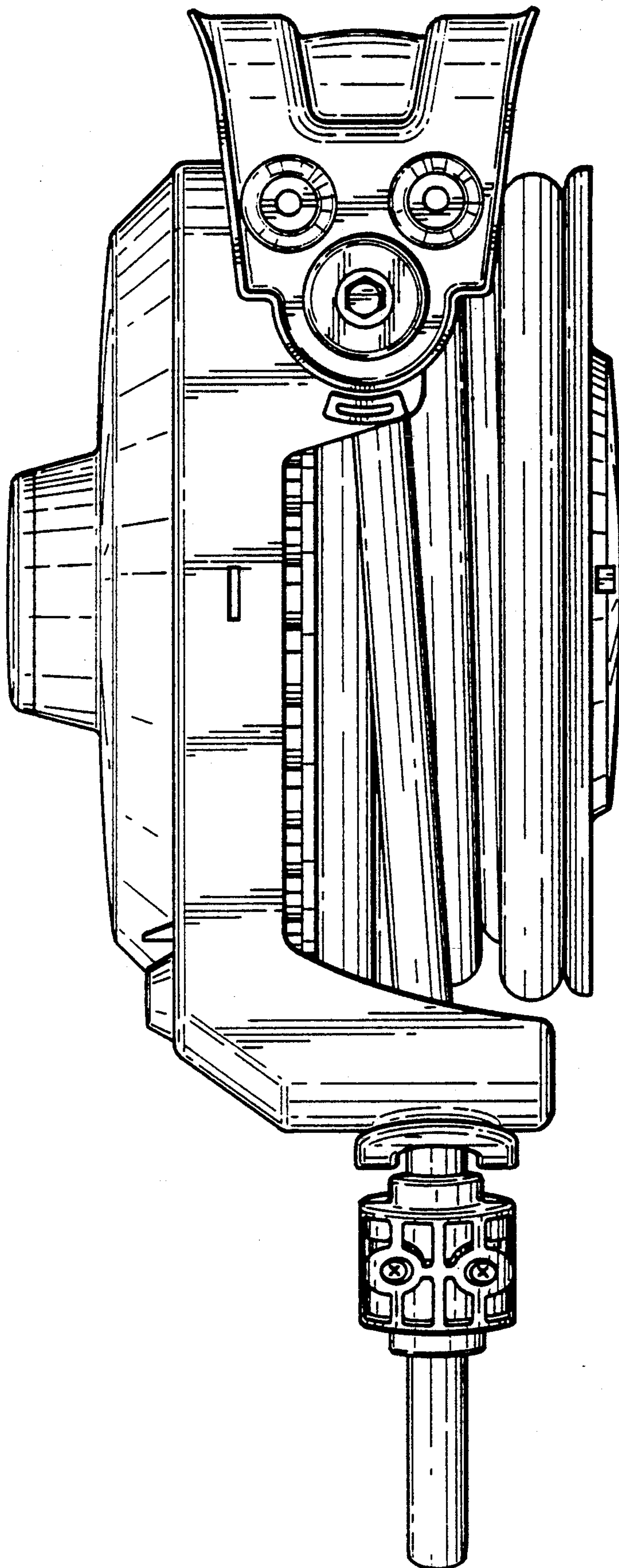


FIG. 4

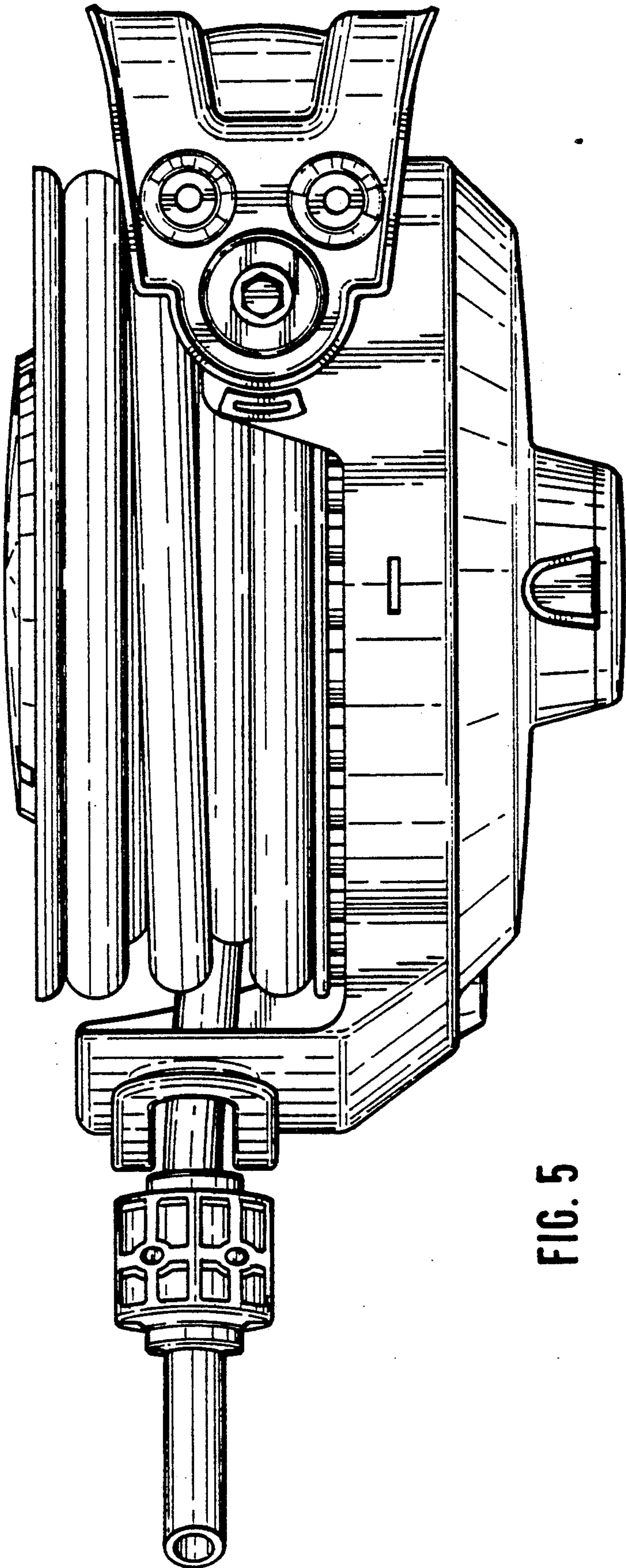


FIG. 5

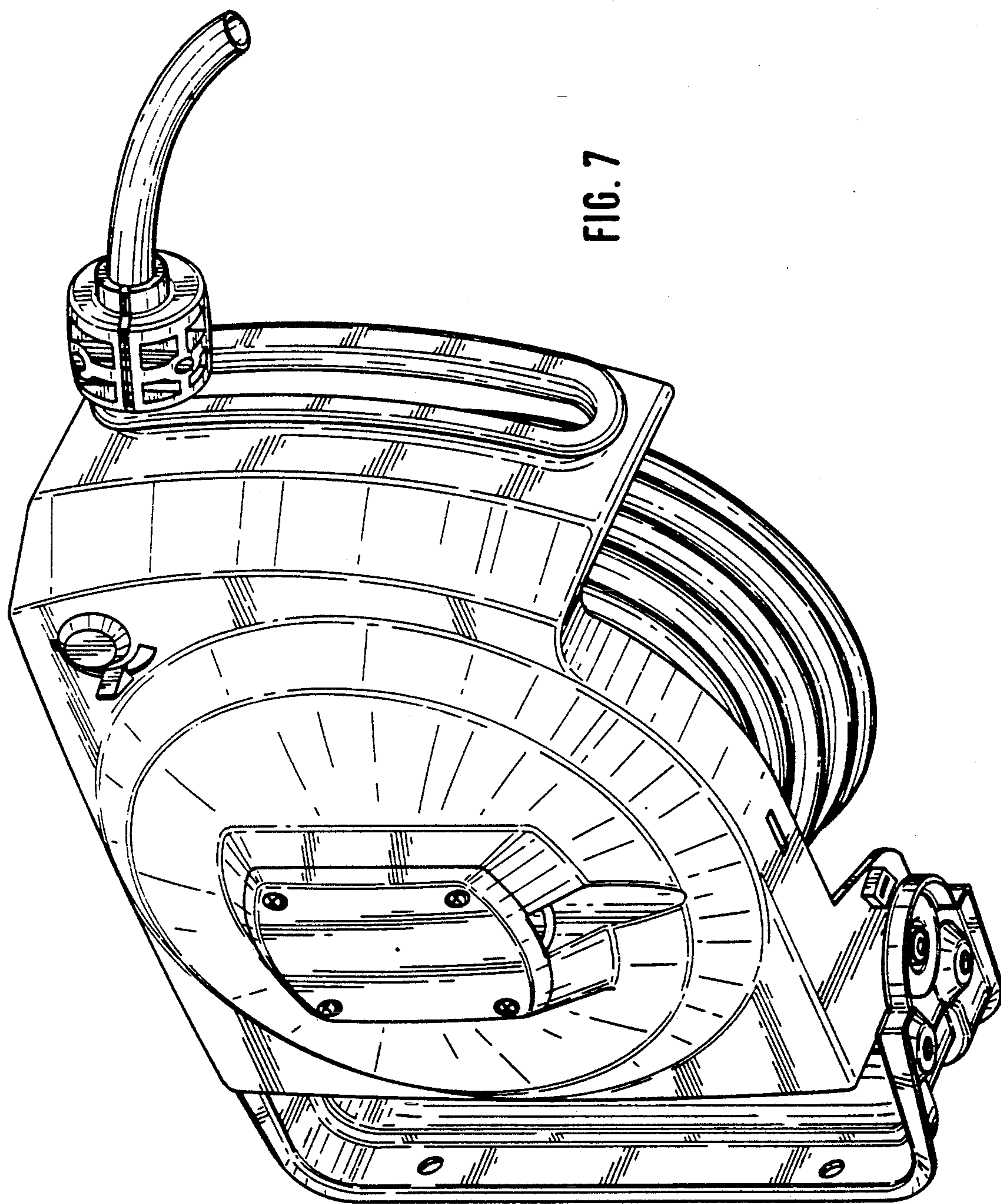


FIG. 7

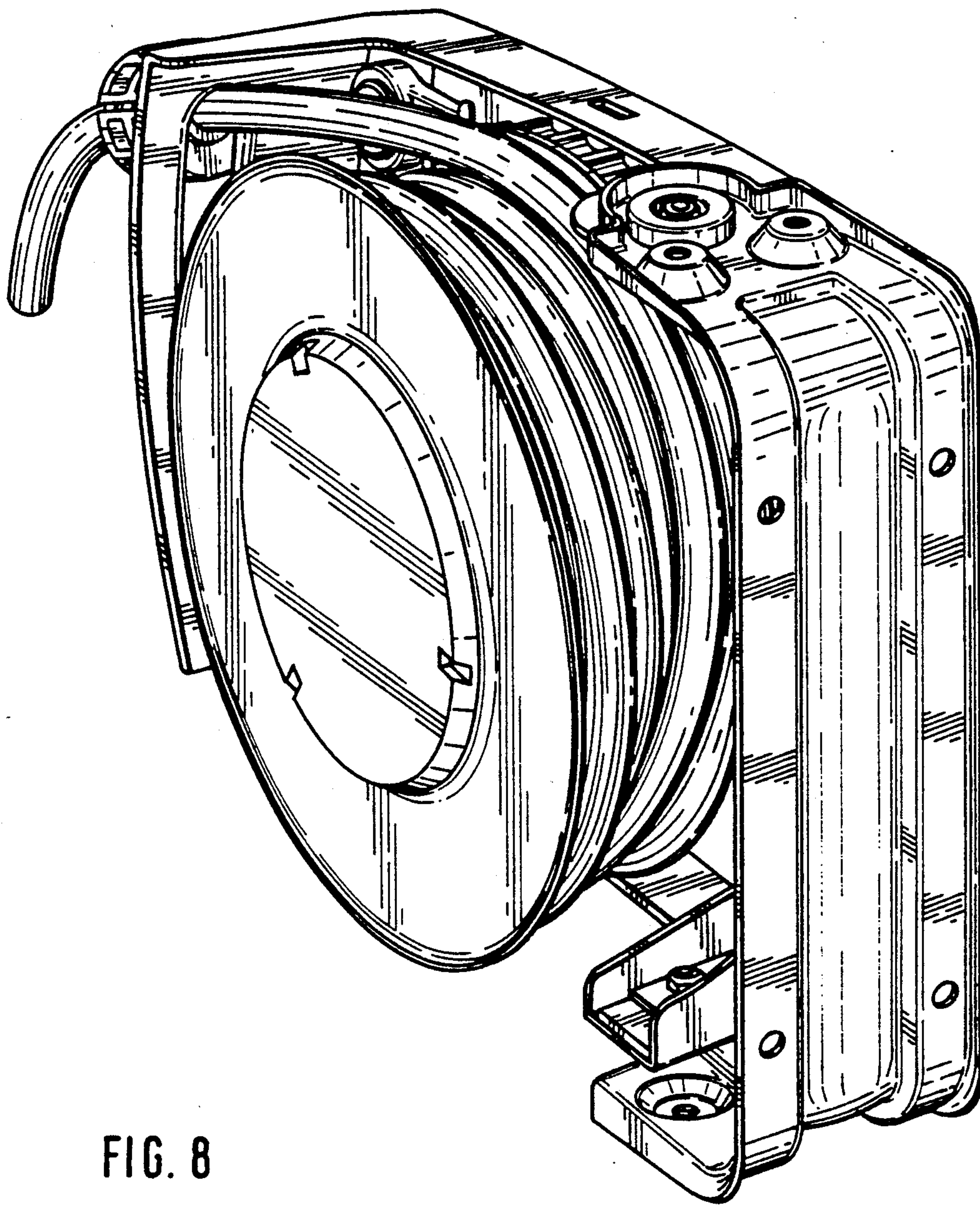


FIG. 8