



US00D338609S

# United States Patent [19]

[11] Patent Number: **Des. 338,609**

Ryan

[45] Date of Patent: **\*\* Aug. 24, 1993**

[54] GATE SAFETY LATCH

4,923,231 5/1990 Bergman ..... 292/328

[76] Inventor: **John J. Ryan, Box 25 Egremont S.R.,  
GT Barrington, Mass. 01230**

### FOREIGN PATENT DOCUMENTS

[\*\*] Term: **14 Years**

127756 of 1913 Fed. Rep. of Germany .  
78498 of 1949 Norway .

[21] Appl. No.: **708,615**

*Primary Examiner*—Brian N. Vinson  
*Attorney, Agent, or Firm*—Terry M. Gernstein

[22] Filed: **May 31, 1991**

### [57] CLAIM

[52] U.S. Cl. .... **D8/331**

The ornamental design for a gate safety latch, as shown  
and described.

[58] Field of Search ..... **D8/330, 331, 336, 338-339,  
D8/341, 344; 292/238, DIG. 30-DIG. 49**

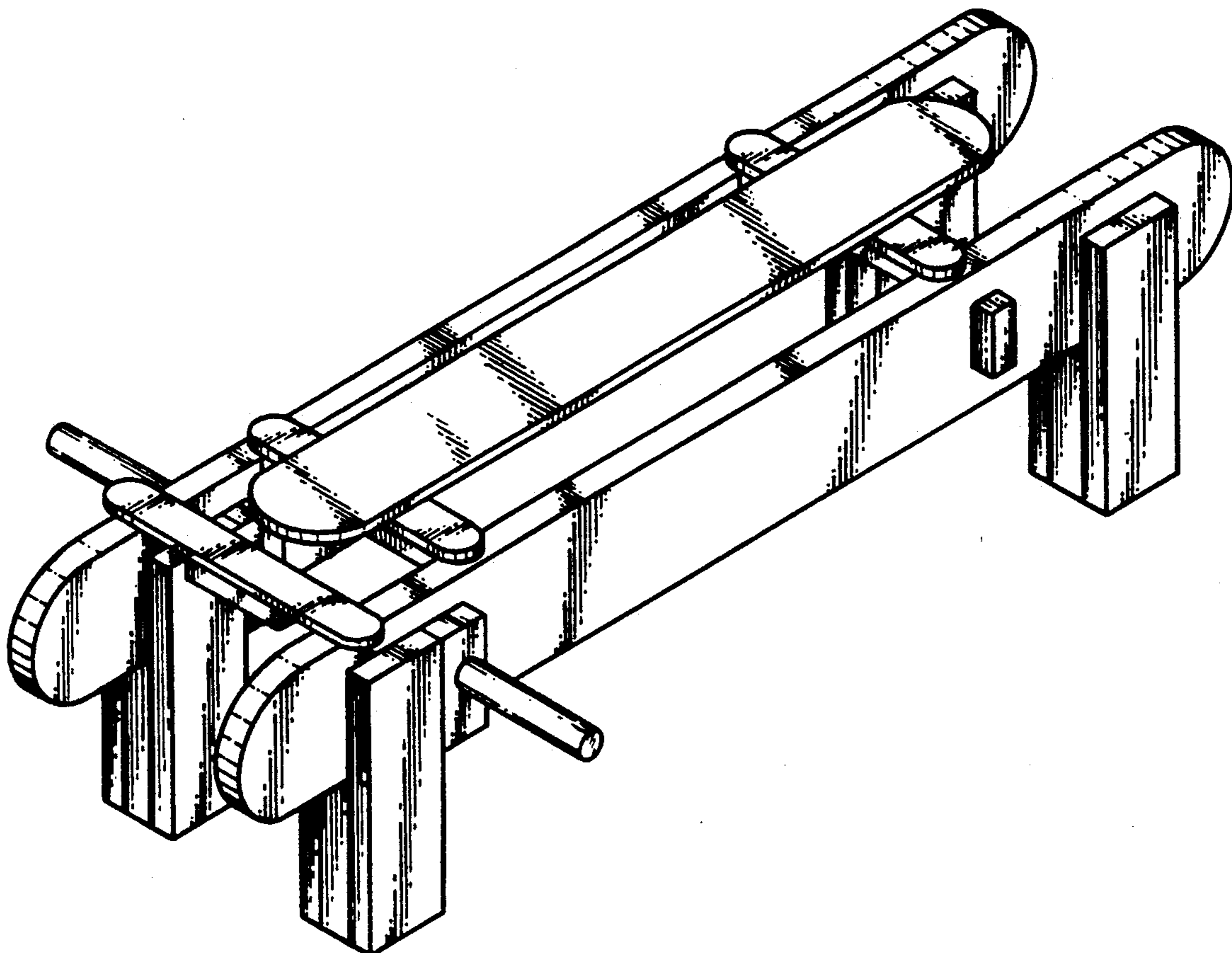
### DESCRIPTION

### [56] References Cited

#### U.S. PATENT DOCUMENTS

D. 292,369	10/1987	Greco .....	D8/331
D. 303,349	9/1989	Weinerman et al. ....	D8/331
D. 329,799	9/1992	Conklin .....	D8/331
3,970,213	7/1976	Clay .....	292/DIG. 49
4,305,611	12/1981	Robbins .....	292/328
4,655,490	4/1987	Cacicedo .....	292/328

FIG. 1 is a top, front and right side perspective view of a gate safety latch showing my new design; FIG. 2 is a front elevational view thereof; FIG. 3 is a rear elevational view thereof; FIG. 4 is a right side elevational view thereof; FIG. 5 is a left side elevational view thereof; FIG. 6 is a top plan view thereof; and, FIG. 7 is a bottom plan view thereof.



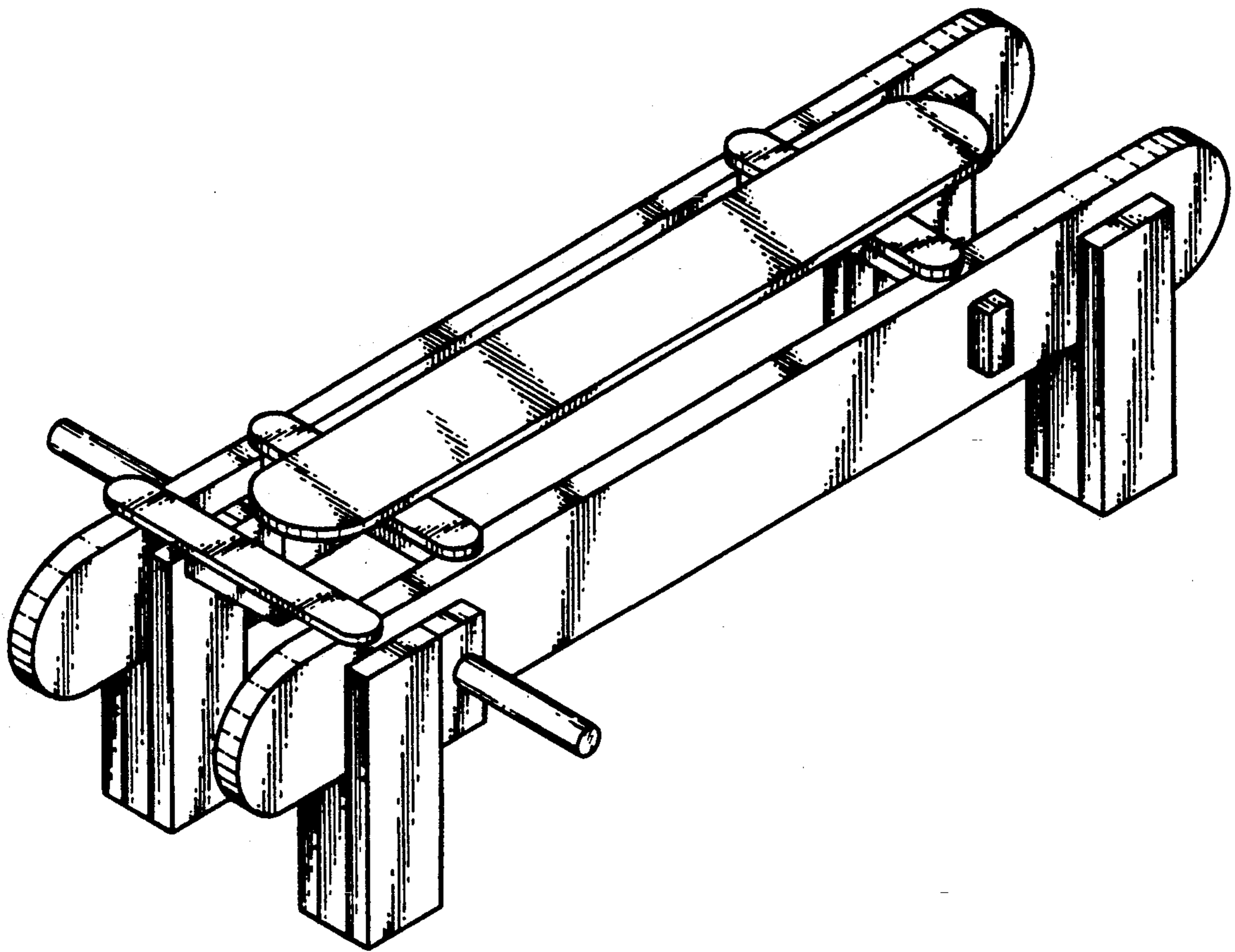


FIG. 1

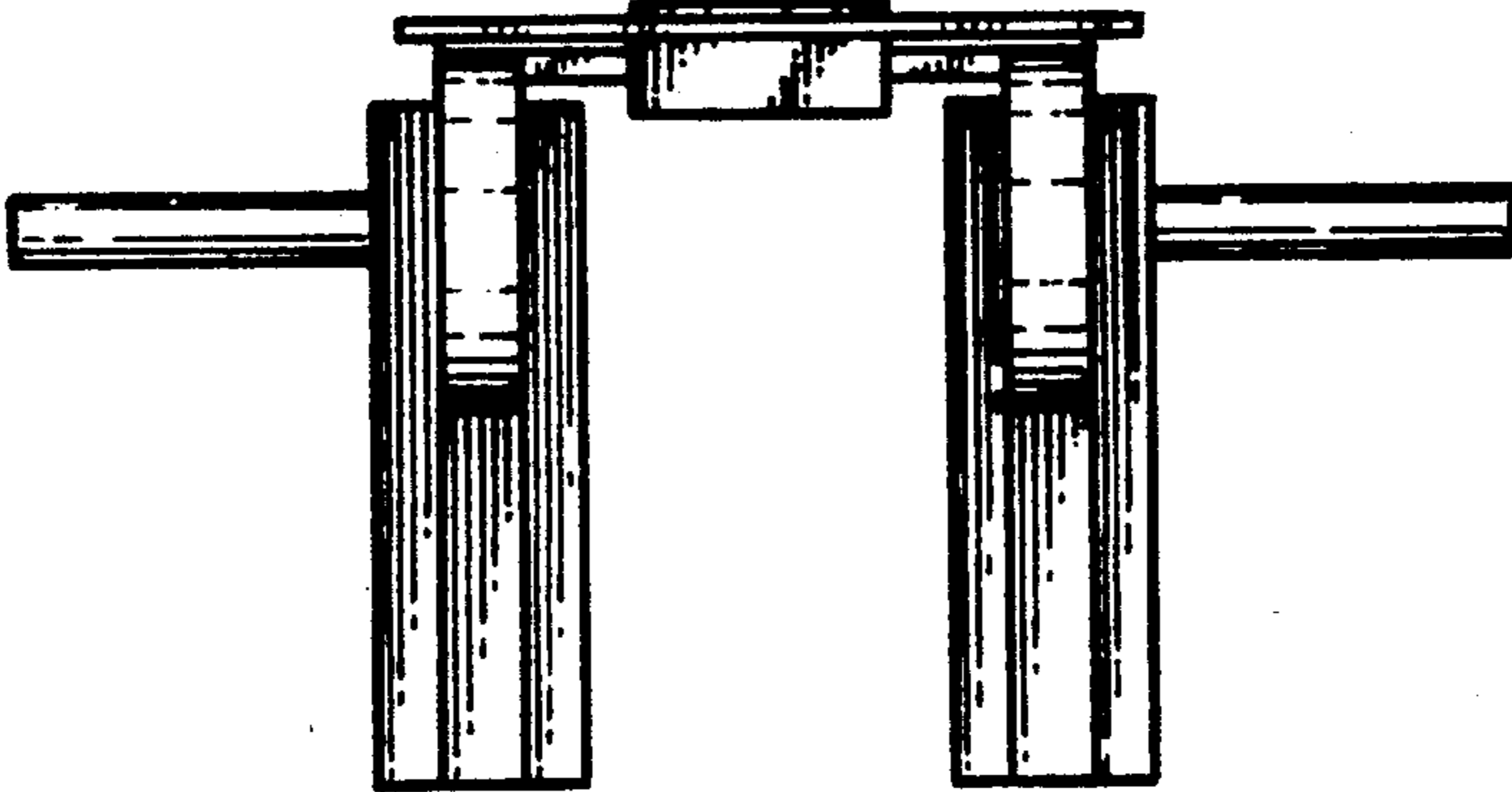


FIG. 2

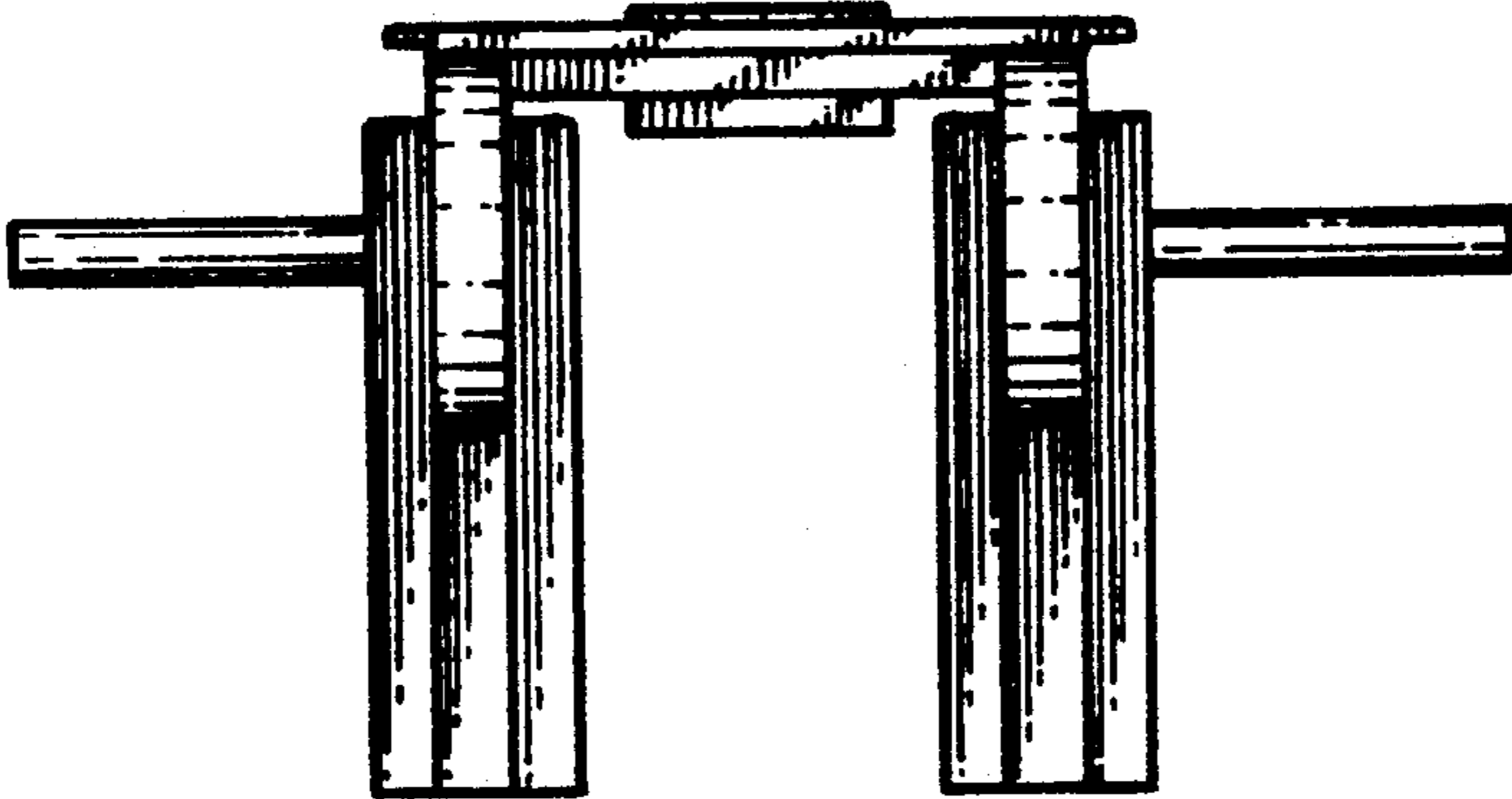


FIG. 3

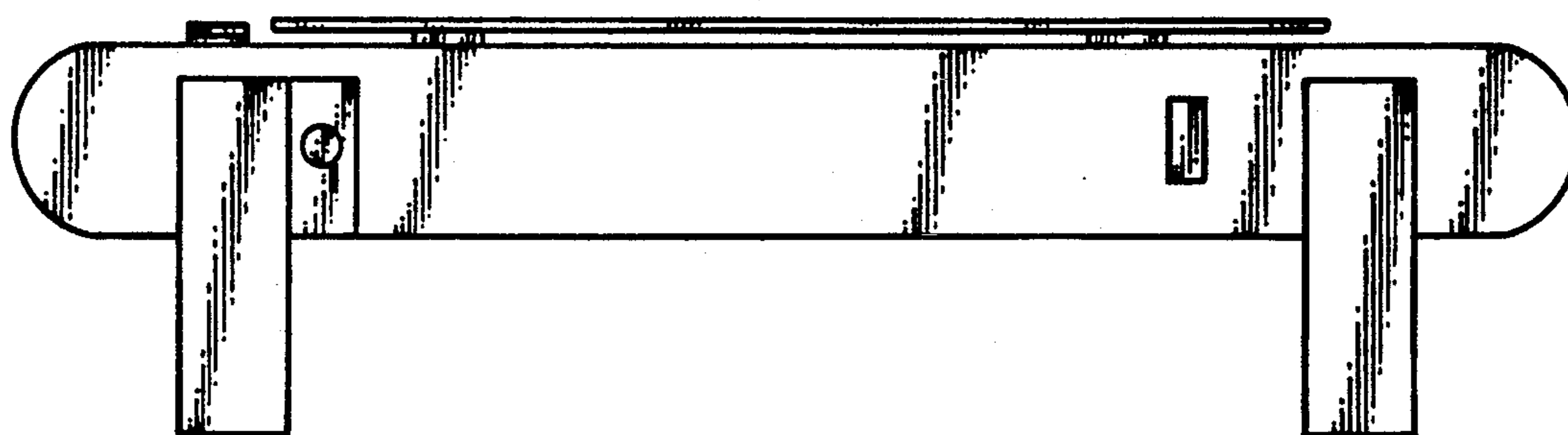


FIG. 4

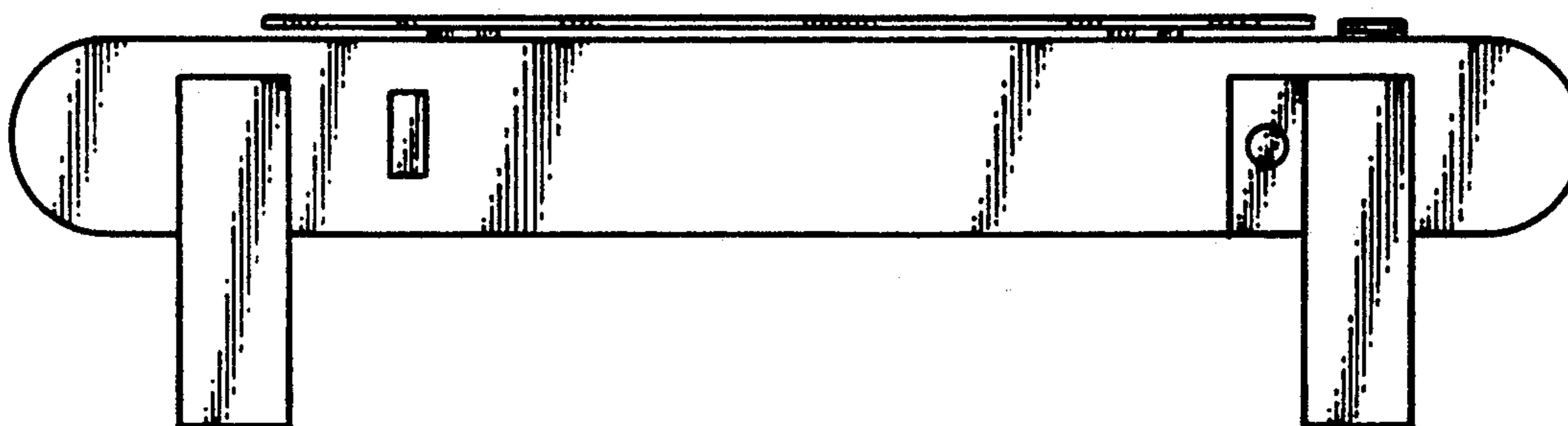


FIG. 5

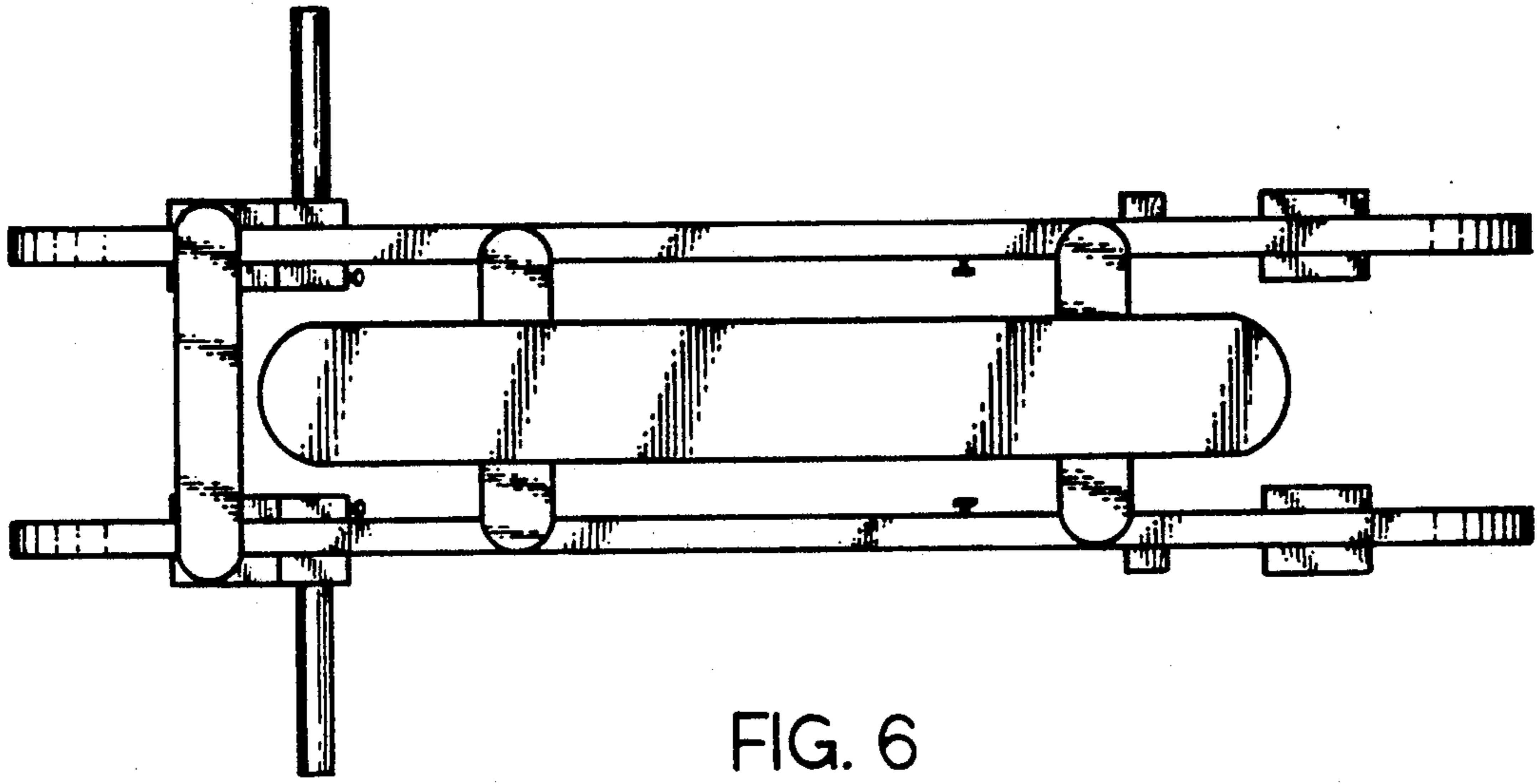


FIG. 6

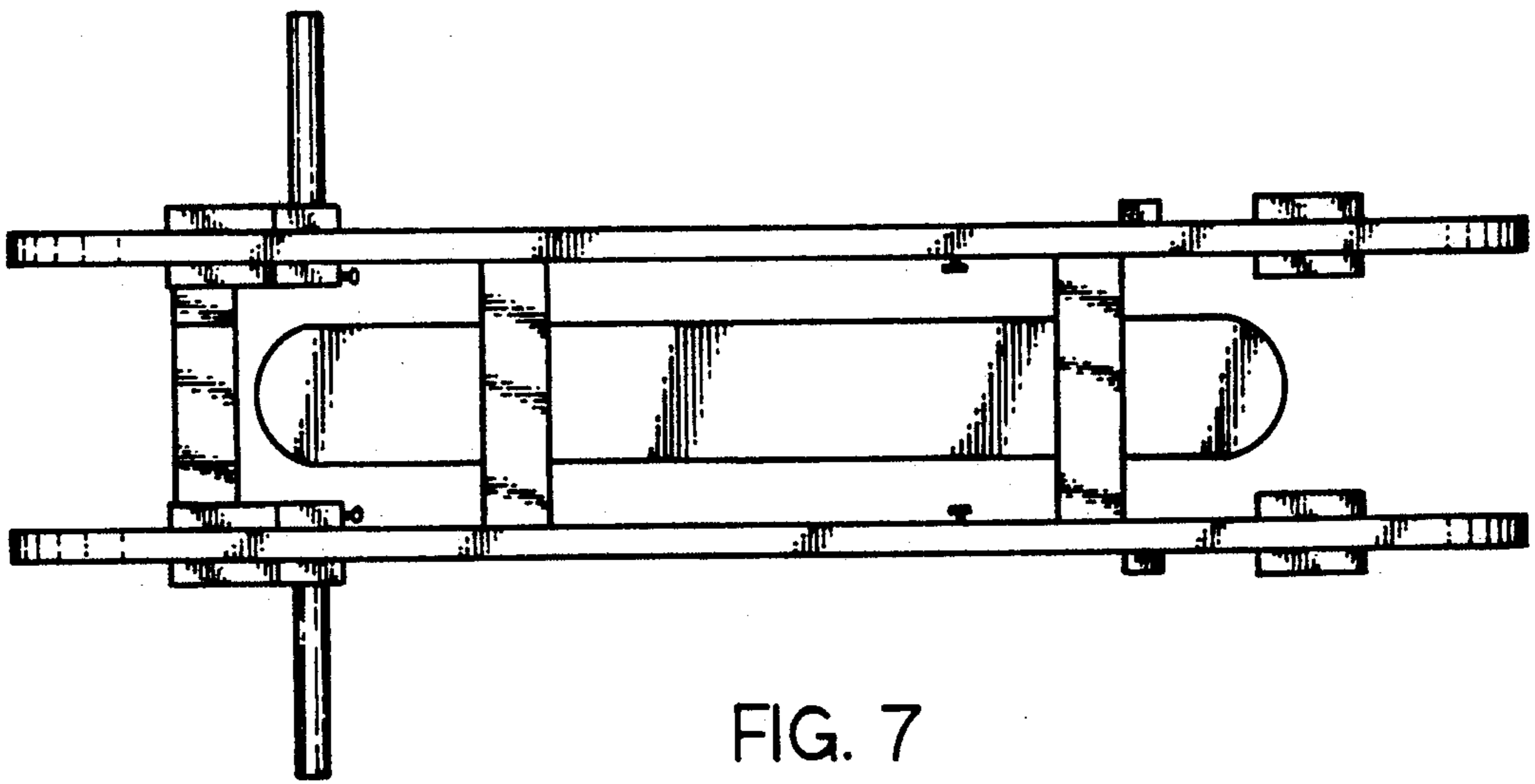


FIG. 7