



US00D338606S

# United States Patent [19] Oda

[11] Patent Number: Des. 338,606

[45] Date of Patent: \*\* Aug. 24, 1993

[54] NAIL GUN

[75] Inventor: Jiro Oda, Toyokawa, Japan

[73] Assignee: Makita Corporation, Anjo, Japan

[\*\*] Term: 14 Years

[21] Appl. No.: 800,385

[22] Filed: Nov. 26, 1991

[30] Foreign Application Priority Data

Jun. 4, 1991 [JP]	Japan .....	3-16536
[52] U.S. Cl. ....		D8/69
[58] Field of Search .....	D8/61, 64, 69, 50, 49;	
	227/8, 10, 120, 130, 131, 132	

[56] References Cited

U.S. PATENT DOCUMENTS

D. 332,561	1/1993	Fushiya .....	D8/69
5,020,712	6/1991	Monacelli .....	227/130
5,083,694	1/1992	Lemos .....	227/120

FOREIGN PATENT DOCUMENTS

3208569 2/1990 Japan .

OTHER PUBLICATIONS

Trade Brochure AN3200 by Makita Corporation.  
Trade Brochure AN5010 by Makita Corporation.

Primary Examiner—Alan P. Douglas  
Assistant Examiner—J. H. Musgrove  
Attorney, Agent, or Firm—Lahive & Cockfield

[57] CLAIM

The ornamental design for a nail gun, as shown.

DESCRIPTION

FIG. 1 is a perspective view of a nail gun showing my new design;  
FIG. 2 is a front elevational view thereof;  
FIG. 3 is a rear elevational view thereof;  
FIG. 4 is a left hand elevational view thereof;  
FIG. 5 is a right hand elevational view thereof;  
FIG. 6 is a top plan view thereof;  
FIG. 7 is a bottom plan view thereof; and,  
FIG. 8 is a perspective view thereof.

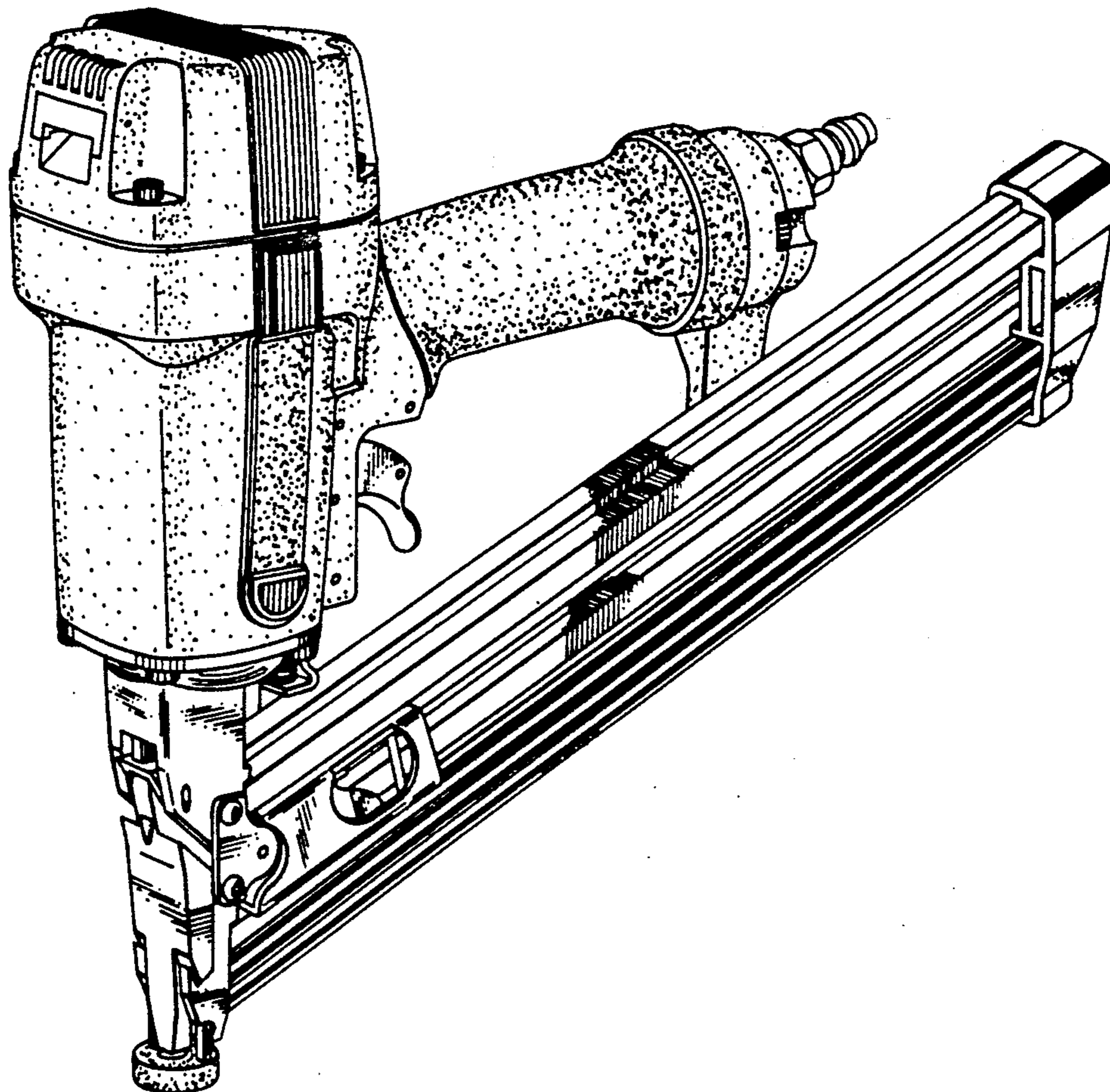


FIG. 1

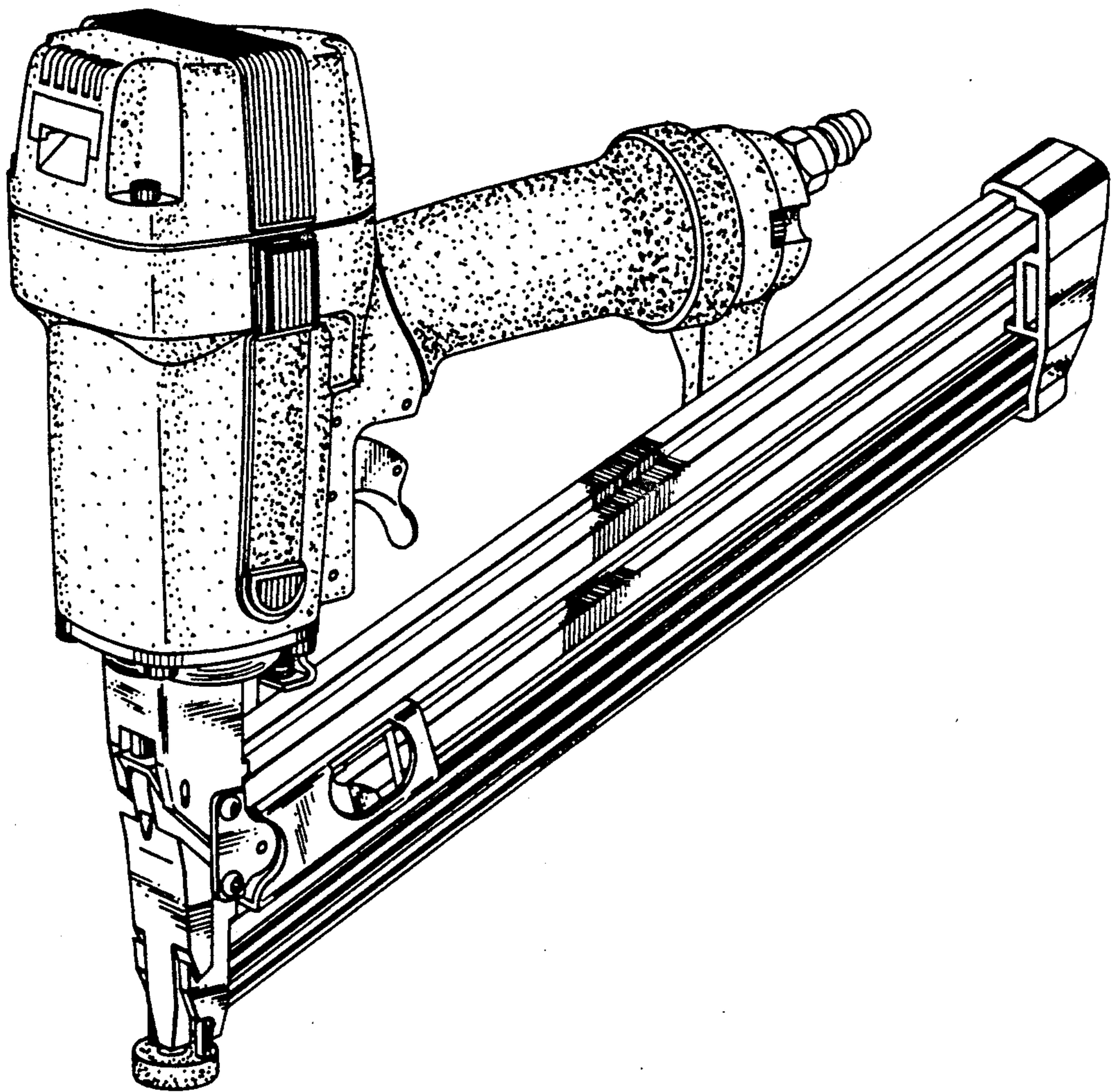


FIG. 2

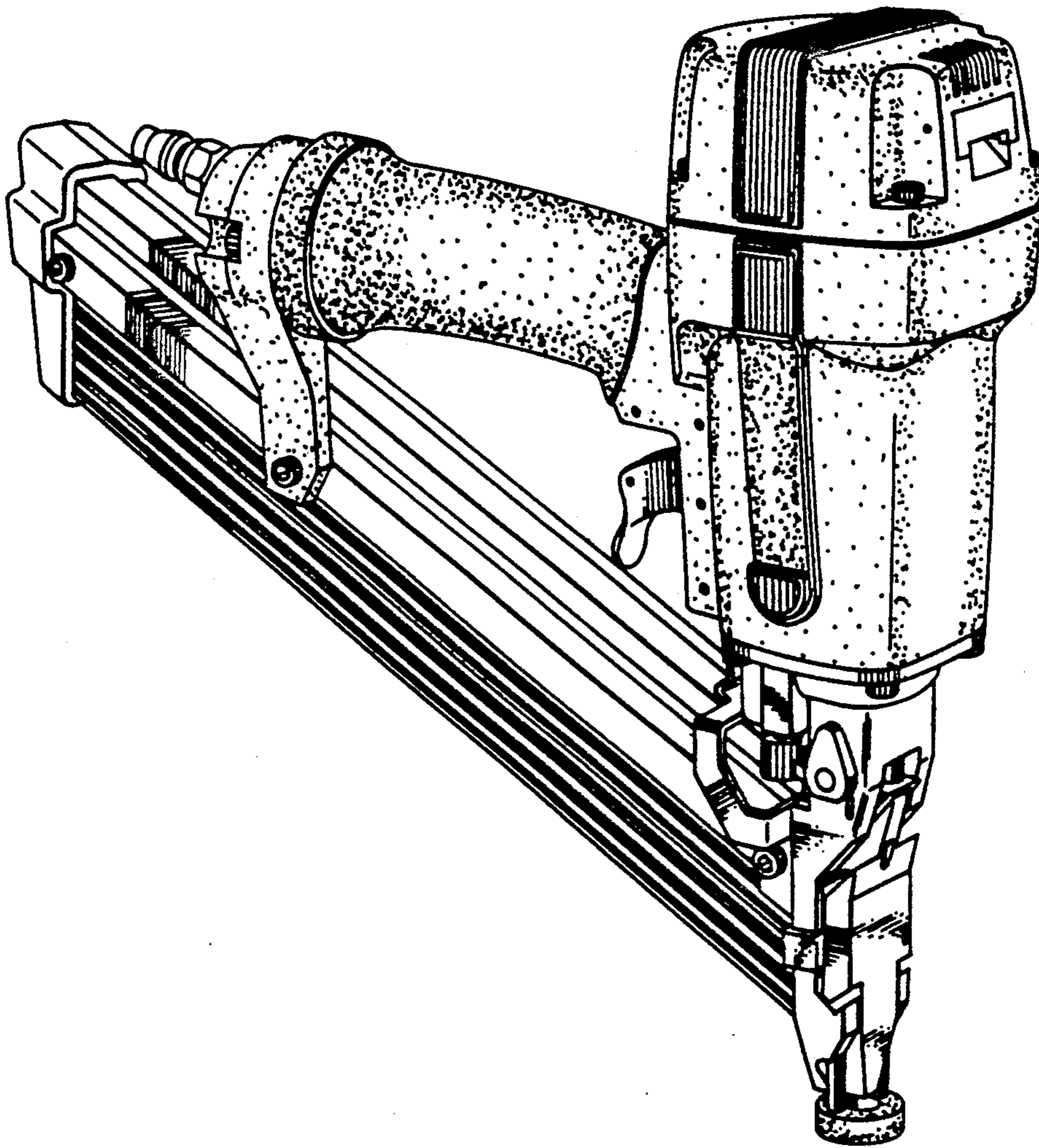


FIG. 3

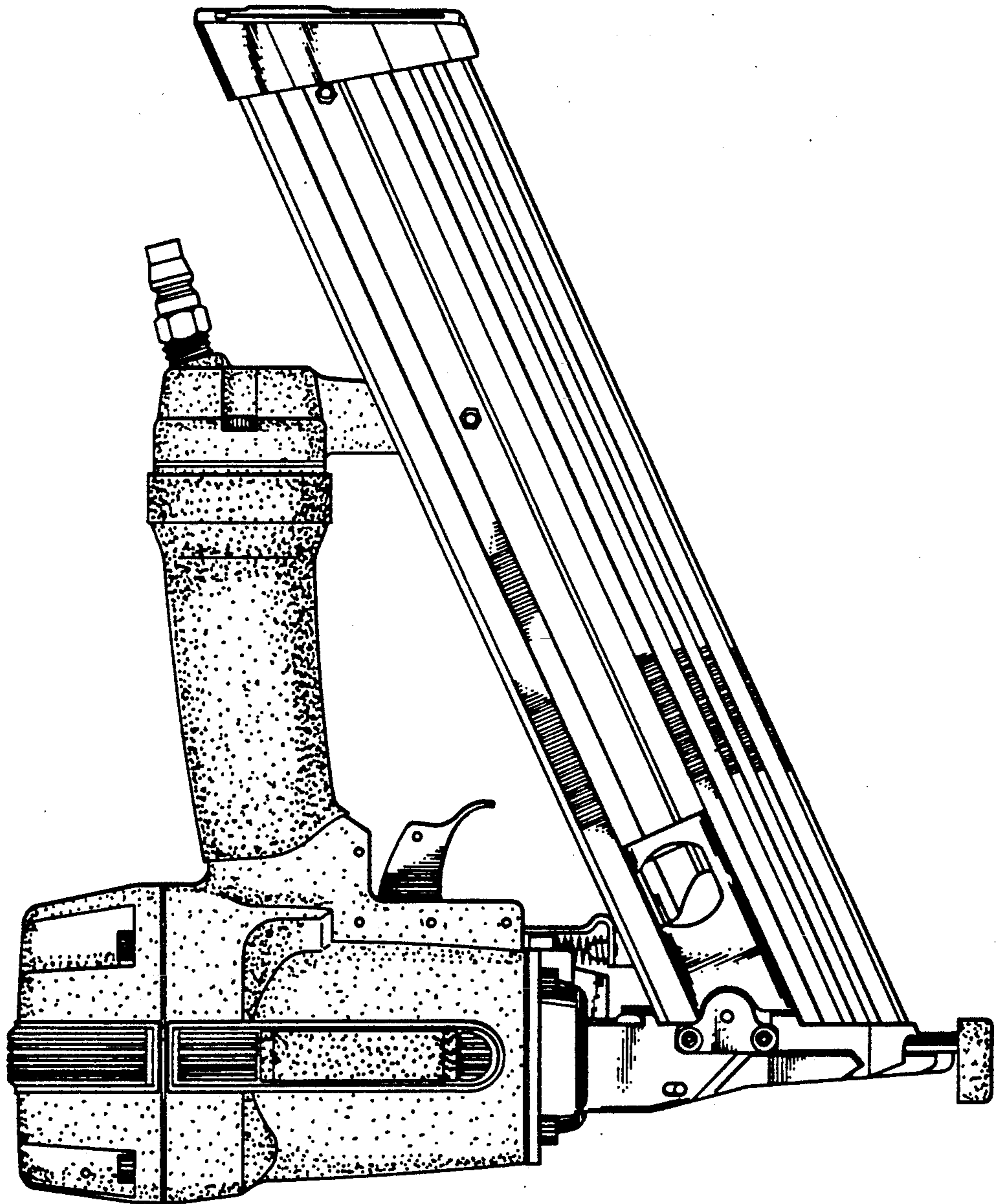


FIG. 4

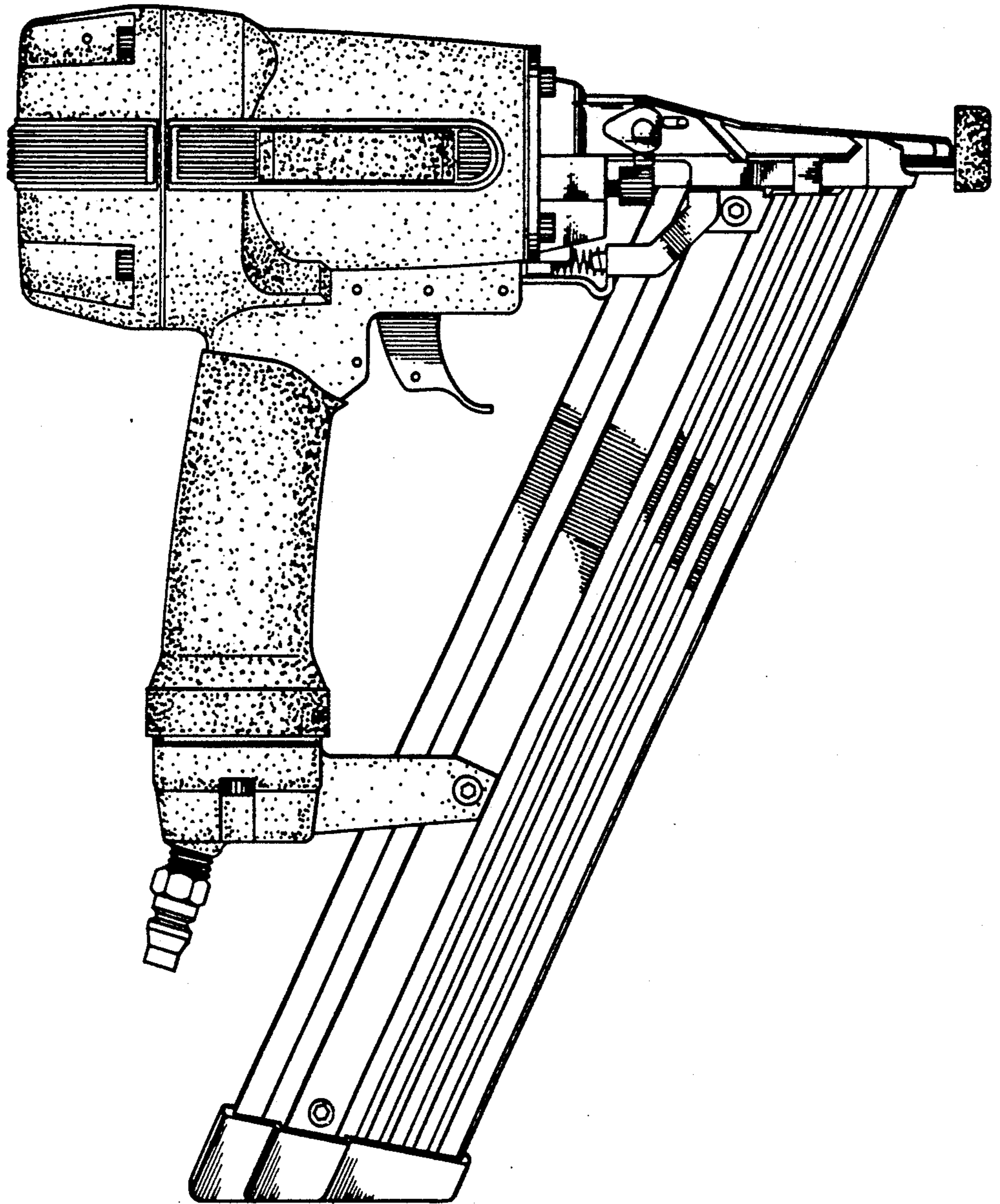


FIG. 5

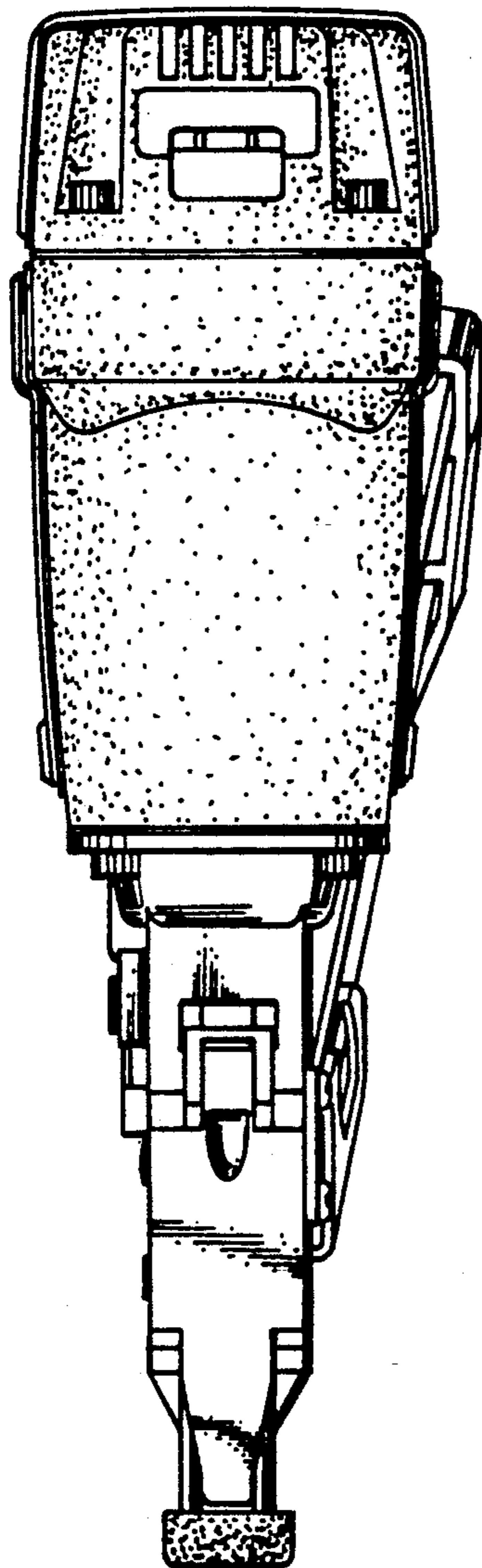


FIG. 6

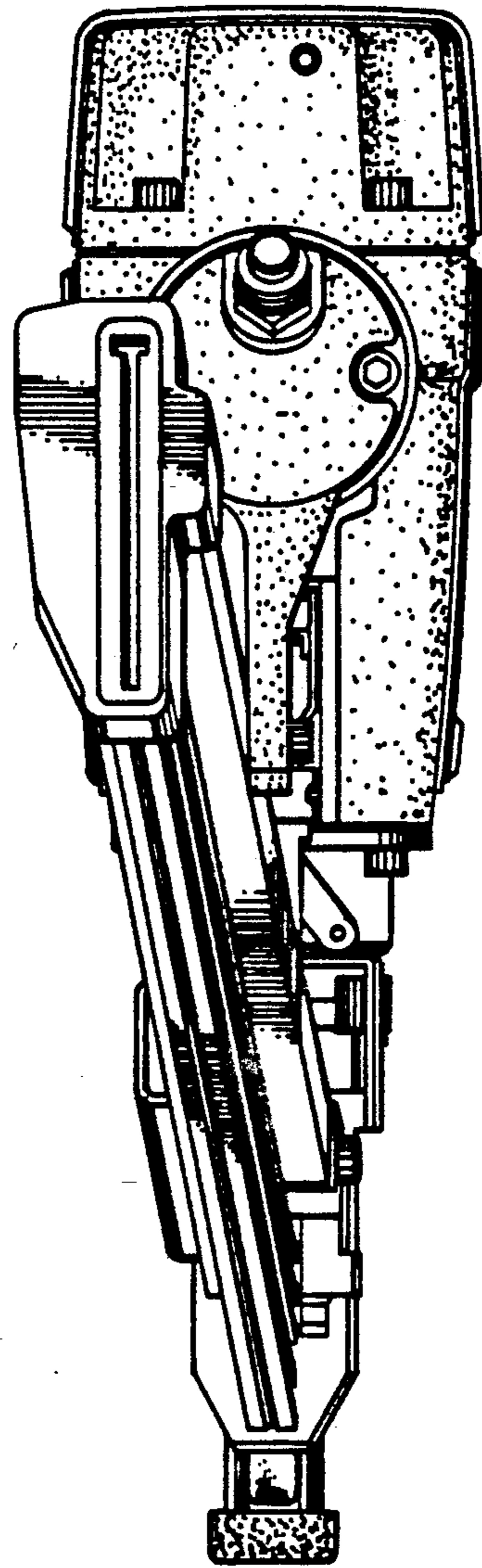


FIG. 7

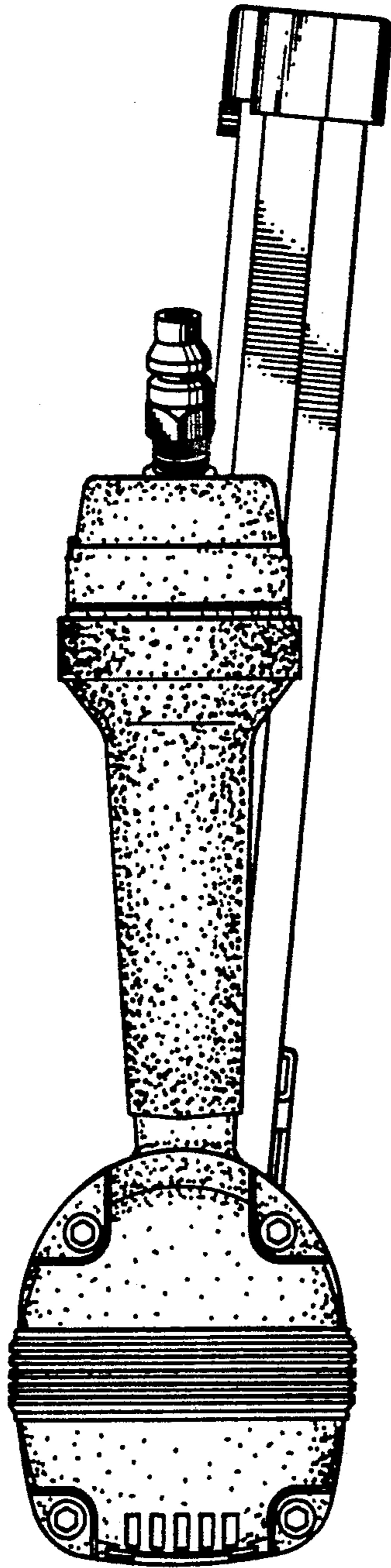


FIG. 8

