



US00D338605S

# United States Patent [19]

[11] Patent Number: **Des. 338,605**

Dehari

[45] Date of Patent: **\*\* Aug. 24, 1993**

[54] **PORTABLE CUTTING MACHINE**  
 [75] Inventor: **Tomoshige Dehari, Hiroshima, Japan**  
 [73] Assignee: **Ryobi Ltd., Hiroshima, Japan**  
 [\*\*] Term: **14 Years**  
 [21] Appl. No.: **775,352**  
 [22] Filed: **Oct. 15, 1991**

D. 317,110 5/1991 Arehart ..... D8/66  
 3,821,918 7/1974 Niehaus et al. .... D8/66

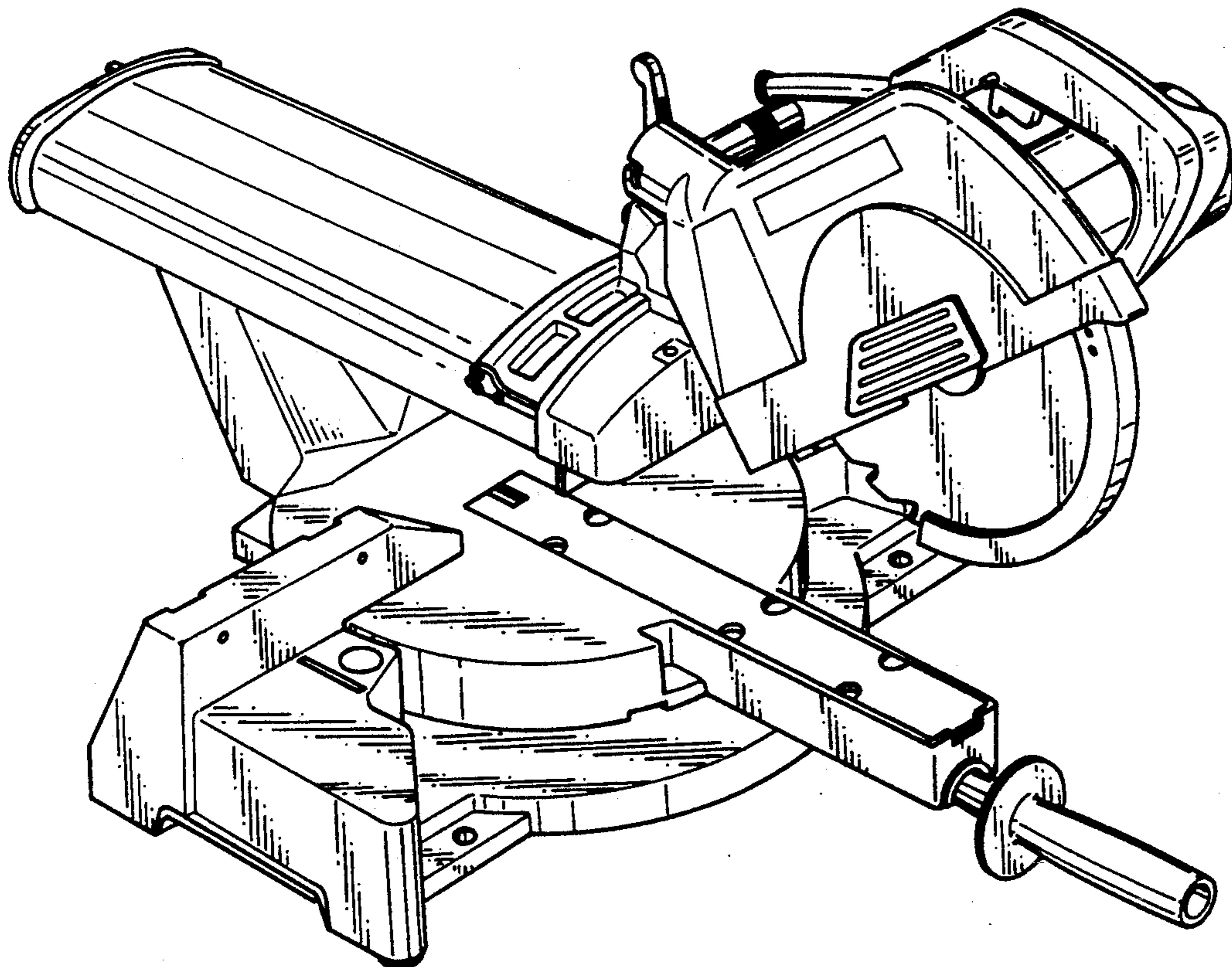
*Primary Examiner*—Alan P. Douglas  
*Assistant Examiner*—J. H. Musgrove  
*Attorney, Agent, or Firm*—Sughrue, Mion, Zinn,  
 Macpeak & Seas

[30] **Foreign Application Priority Data**  
 Apr. 15, 1991 [JP] Japan ..... 3-11094  
 [52] U.S. Cl. .... **D8/66; D15/133**  
 [58] Field of Search ..... **D8/69, 66, 61; D15/133**

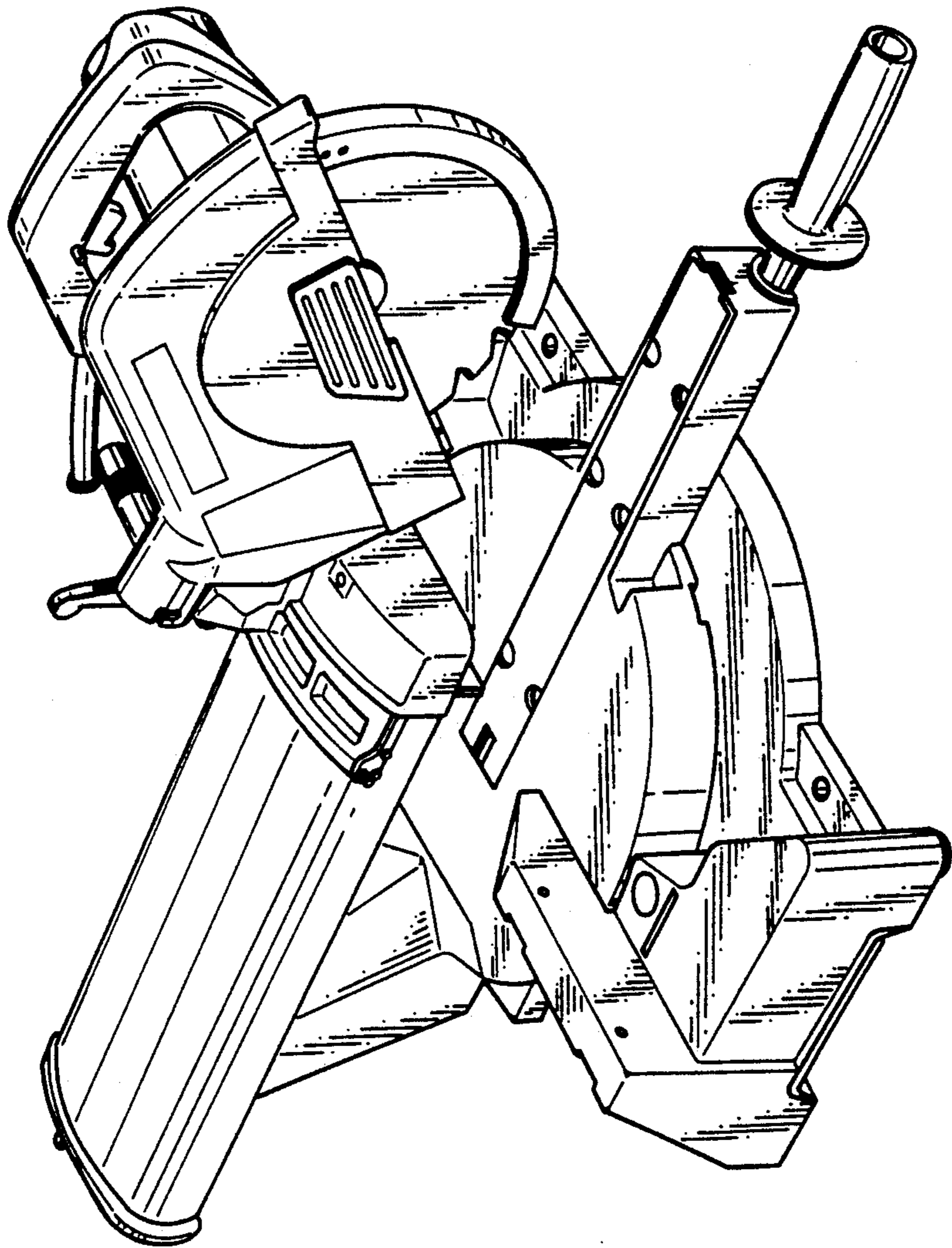
[57] **CLAIM**  
 The ornamental design for a portable cutting machine,  
 as shown.

[56] **References Cited**  
**U.S. PATENT DOCUMENTS**  
 D. 282,346 1/1986 Pioch ..... D8/66  
 D. 305,542 1/1990 Miyamoto et al. .... D15/133  
 D. 306,031 2/1990 Ushiwata et al. .... D15/133

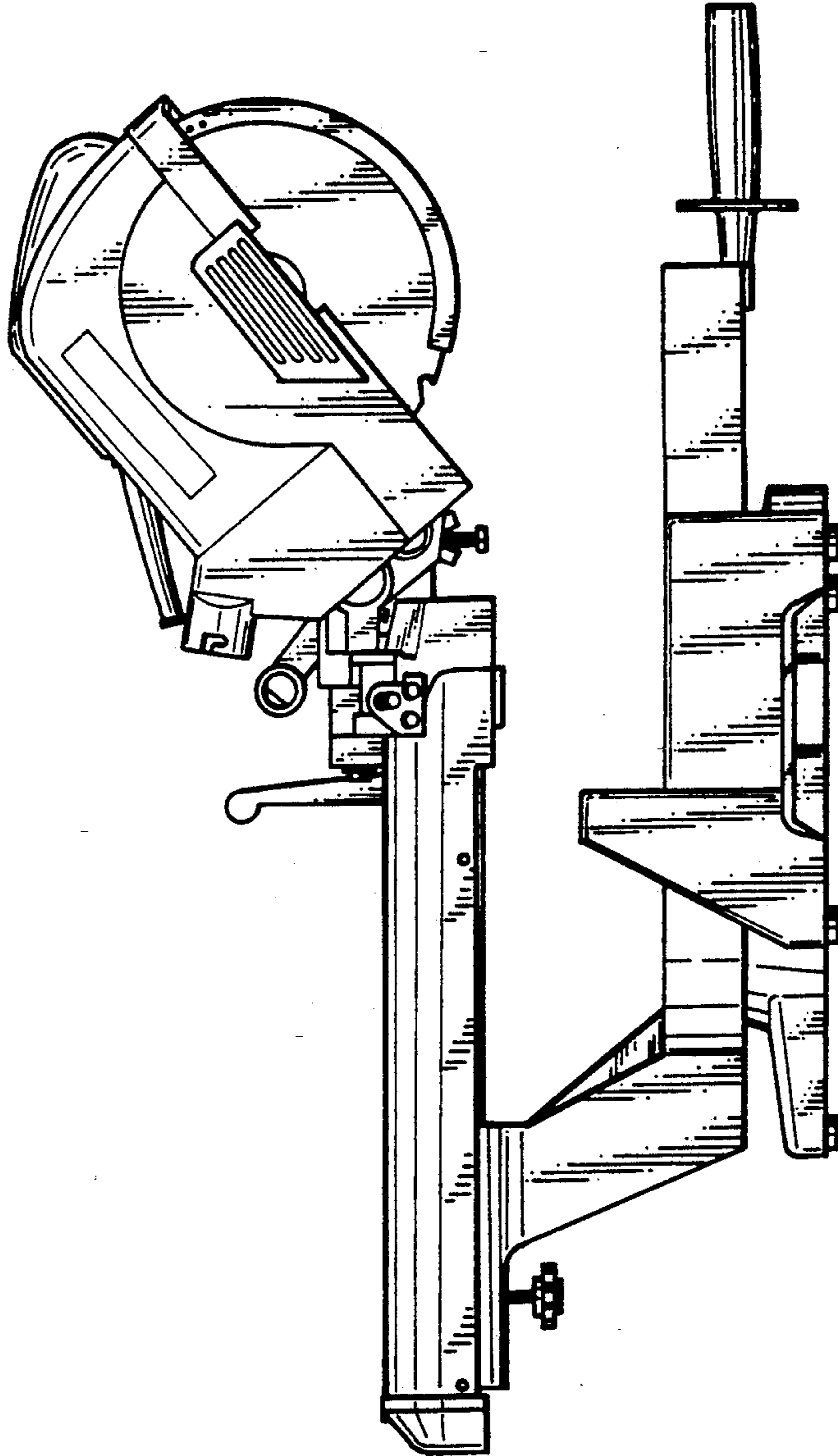
**DESCRIPTION**  
 FIG. 1 is a front, top and right side perspective view of  
 a portable cutting machine showing my new design;  
 FIG. 2 is a front elevational view thereof;  
 FIG. 3 is a rear elevational view thereof;  
 FIG. 4 is a top plan view thereof;  
 FIG. 5 is a bottom plan view thereof;  
 FIG. 6 is a left side elevational view thereof; and,  
 FIG. 7 is a right side elevational view thereof.



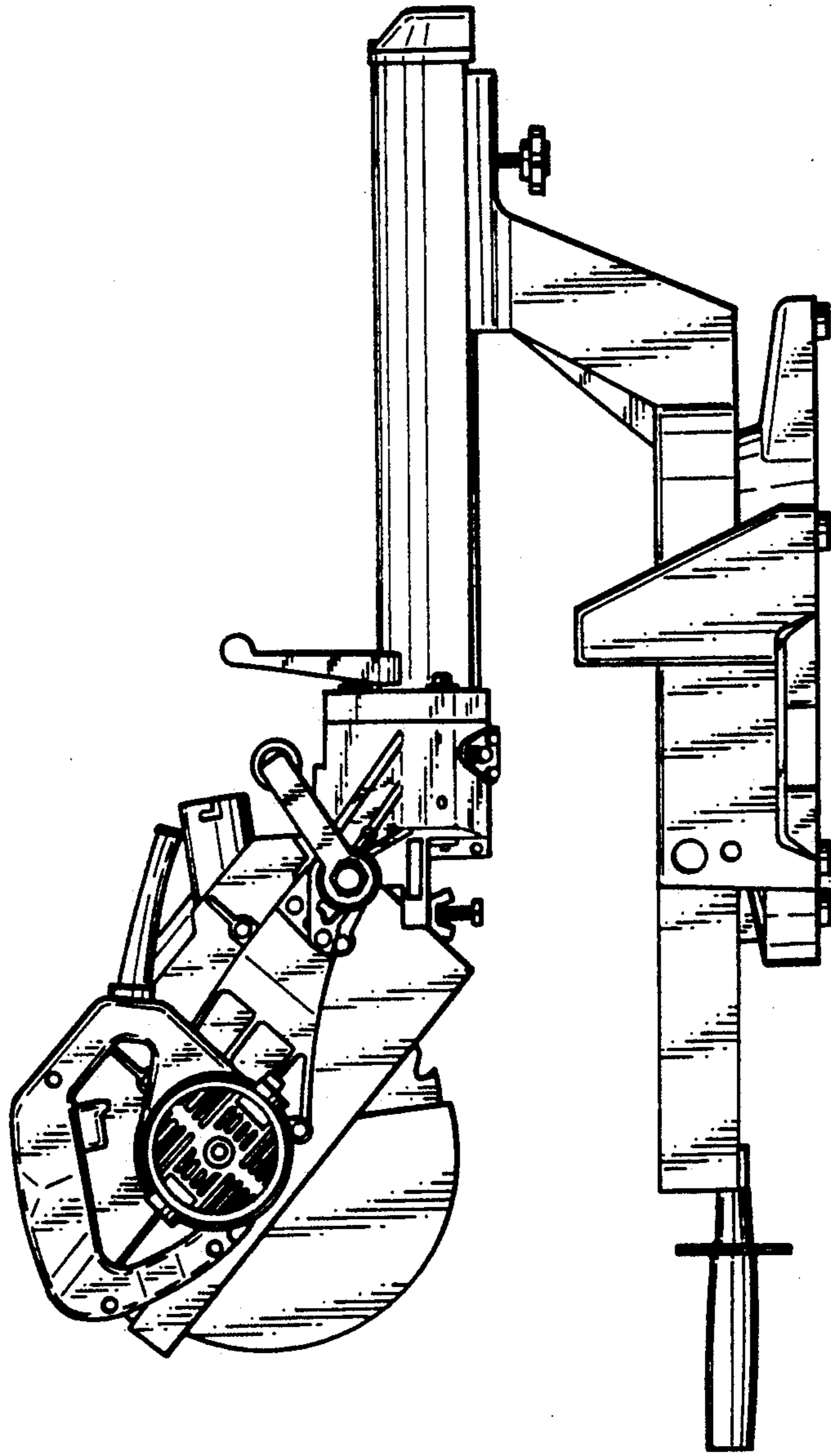
*Fig. 1*



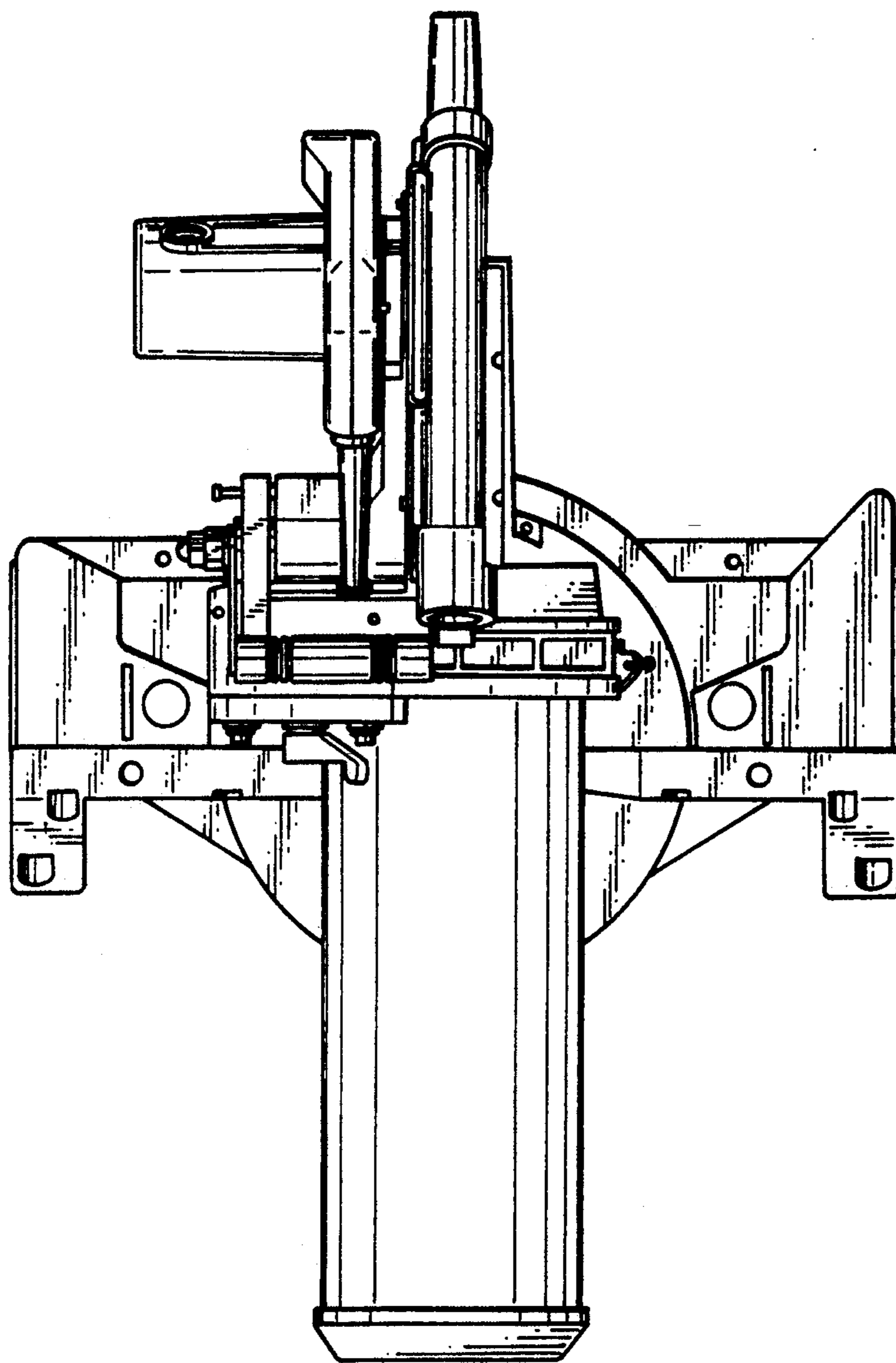
*Fig. 2*



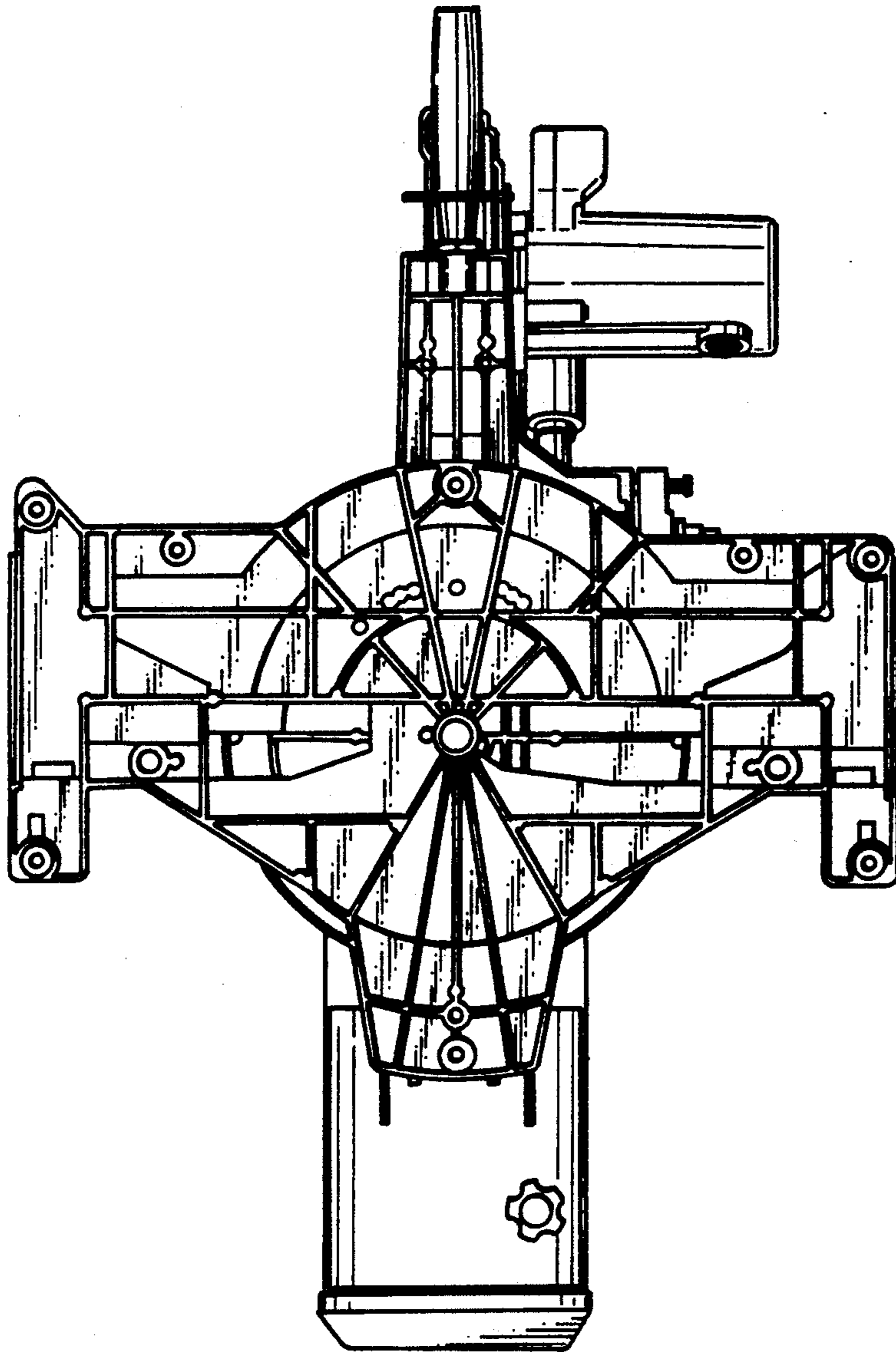
*Fig. 3*



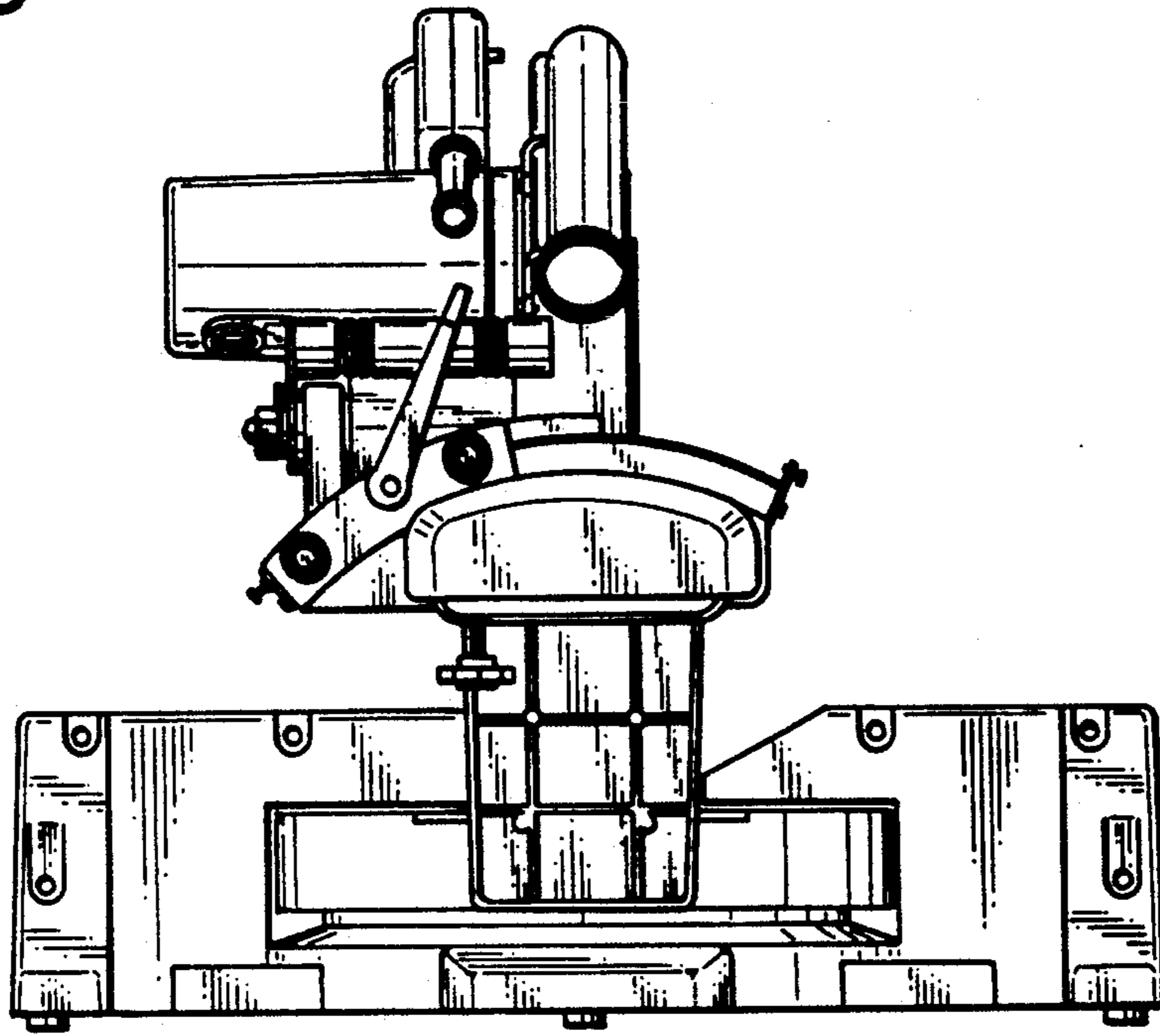
*Fig. 4*



*Fig. 5*



*Fig. 6*



*Fig. 7*

