



US00D338601S

# United States Patent [19]

[11] Patent Number: **Des. 338,601**

Wood

[45] Date of Patent: **\*\* Aug. 24, 1993**

[54] **ADAPTER FOR A CAULK GUN HANDLE**

4,830,247 5/1989 Banks ..... 224/252  
4,895,336 1/1990 Lieberman ..... 248/690

[76] Inventor: **George Wood, P.O. Box 132, Temple, Ga. 30179**

### OTHER PUBLICATIONS

[\*\*] Term: **14 Years**

Hewi Catalog, 1989, Hooks.  
Schlage Catalog, 1985, p. 7, "L" Series Levers.

[21] Appl. No.: **541,364**

*Primary Examiner*—Bernard Ansher  
*Assistant Examiner*—Philip Hyder  
*Attorney, Agent, or Firm*—Terry M. Gernstein

[22] Filed: **Jun. 21, 1990**

[52] U.S. Cl. .... **D8/14.1; D8/14**

[58] Field of Search ..... **D8/14.1, 71, 349, 354, D8/367, 14, 107; 248/214, 215, 309.1, 690, 692; 222/391; D23/263**

### [57] CLAIM

The ornamental design for an adapter for a caulk gun handle, as shown and described.

### [56] References Cited

#### U.S. PATENT DOCUMENTS

D. 28,572	5/1898	Rose	.....	D23/263
D. 29,983	1/1899	Byrnes	.....	D23/263
D. 31,553	9/1899	Glauber	.....	D23/263
D. 33,224	9/1900	Thompson	.....	D23/263
D. 170,428	9/1953	Peterson	.....	D8/14.1
D. 246,221	11/1977	Cox	.....	D8/14.1
3,245,645	4/1966	Dupler	.....	248/215
3,424,422	1/1969	Klangos	.....	248/215
4,106,679	8/1978	Hillinger	.....	224/26 B
4,457,462	7/1984	Taormina	.....	224/269
4,572,409	2/1986	Finnegan	.....	222/391
4,624,394	11/1986	Ushiro	.....	222/391
4,706,853	11/1987	Stonesifer et al.	.....	222/391

### DESCRIPTION

FIG. 1 is a perspective view of an adapter for a caulk gun handle showing my new design;  
FIG. 2 is a front elevational view thereof;  
FIG. 3 is a rear elevational view thereof;  
FIG. 4 is a right side elevational view thereof;  
FIG. 5 is a left side elevational view thereof;  
FIG. 6 is a top plan view thereof;  
FIG. 7 is a bottom view thereof; and,  
FIG. 8 is a perspective view thereof, on a reduced scale.  
The broken line showing of the caulk gun is for illustrative purposes only and forms no part of the claimed design.

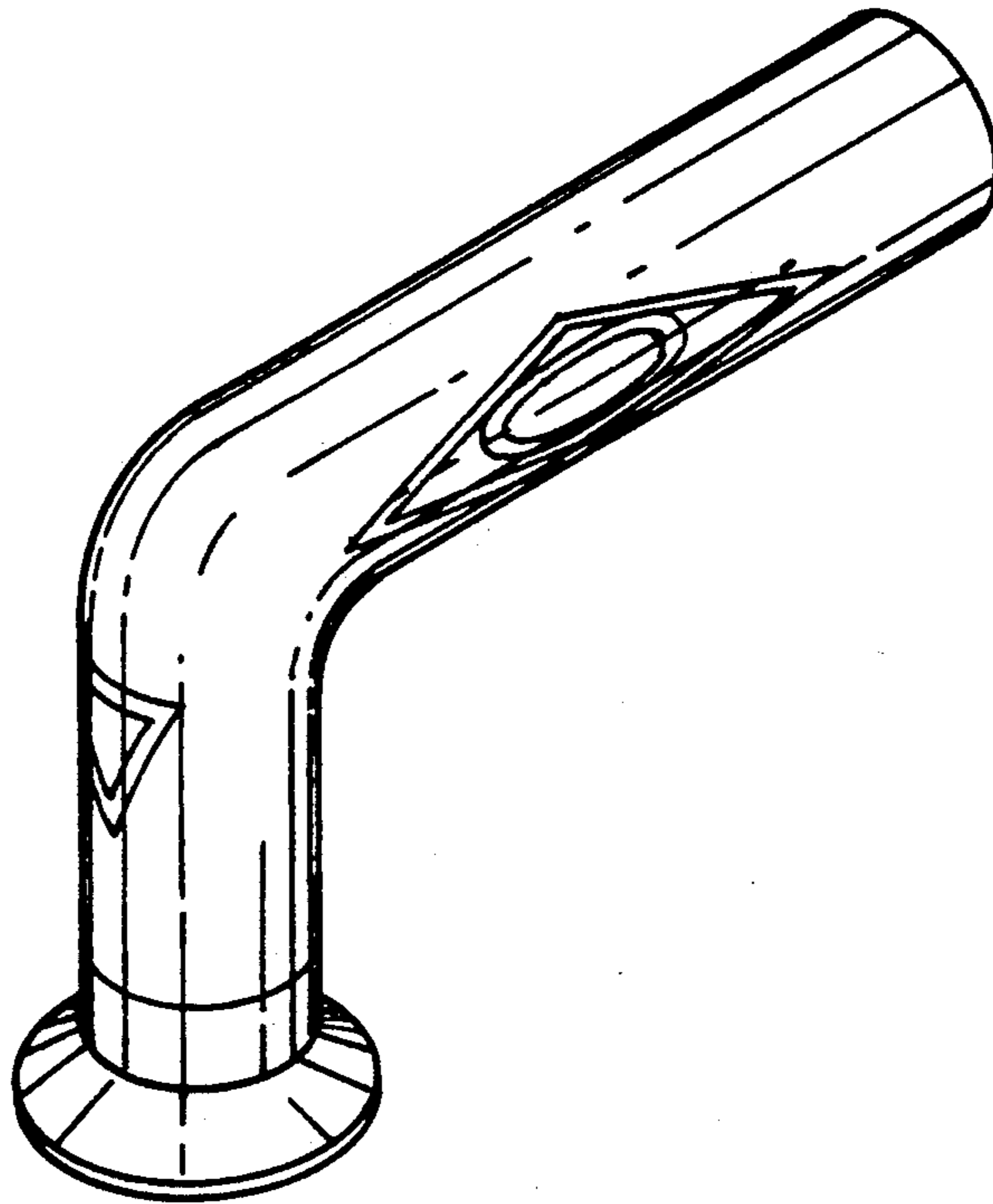


FIG. 1

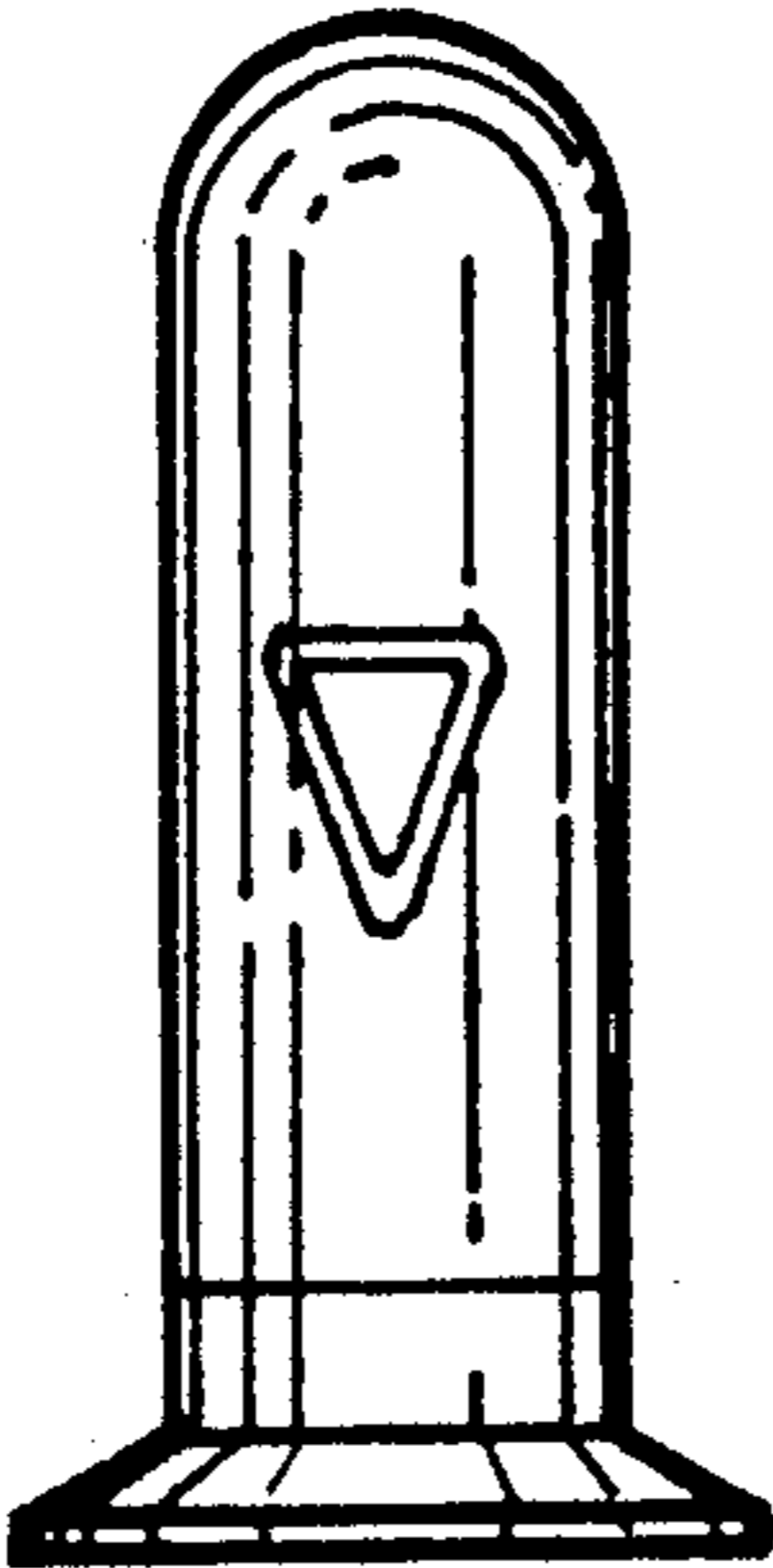
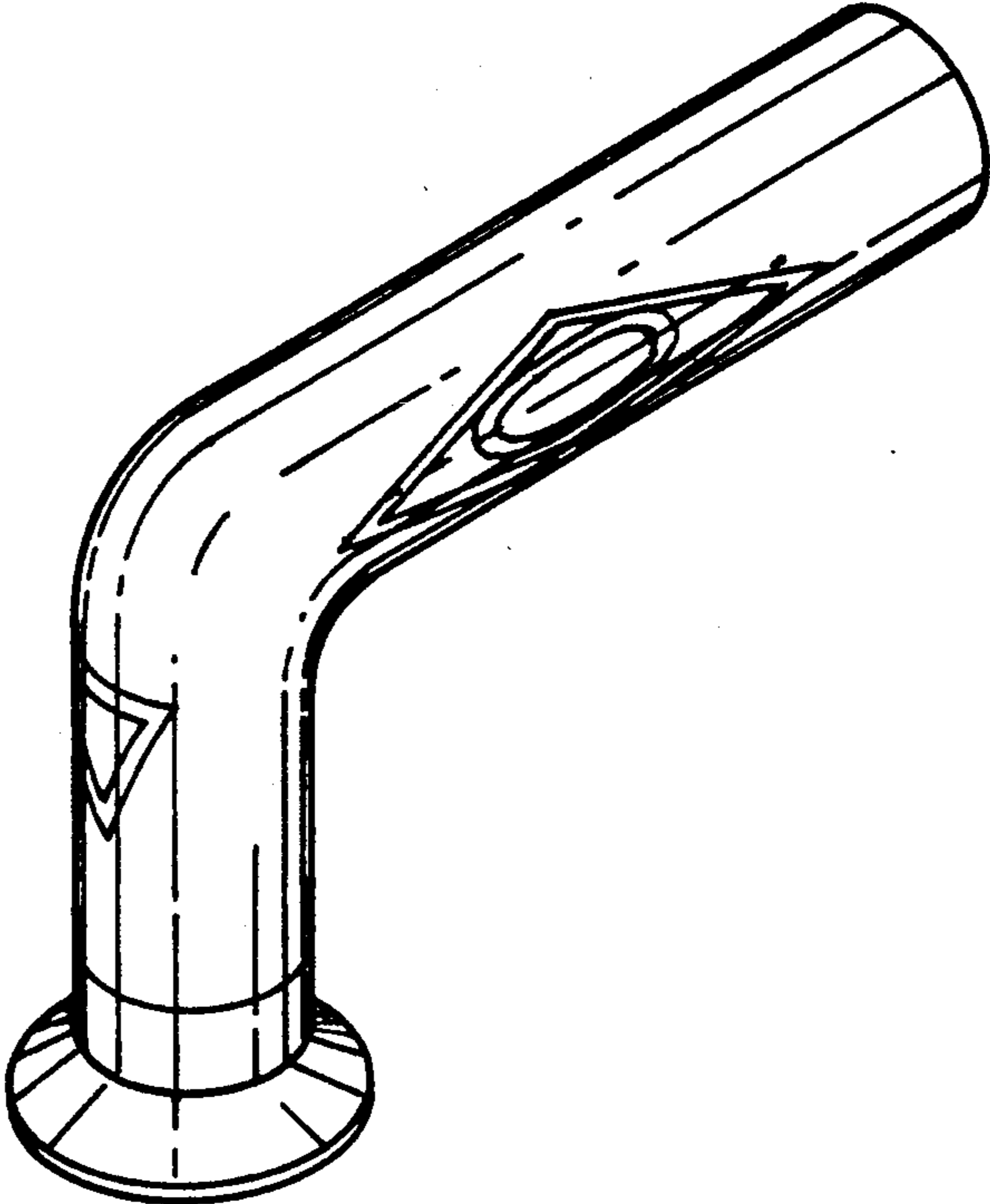


FIG. 2

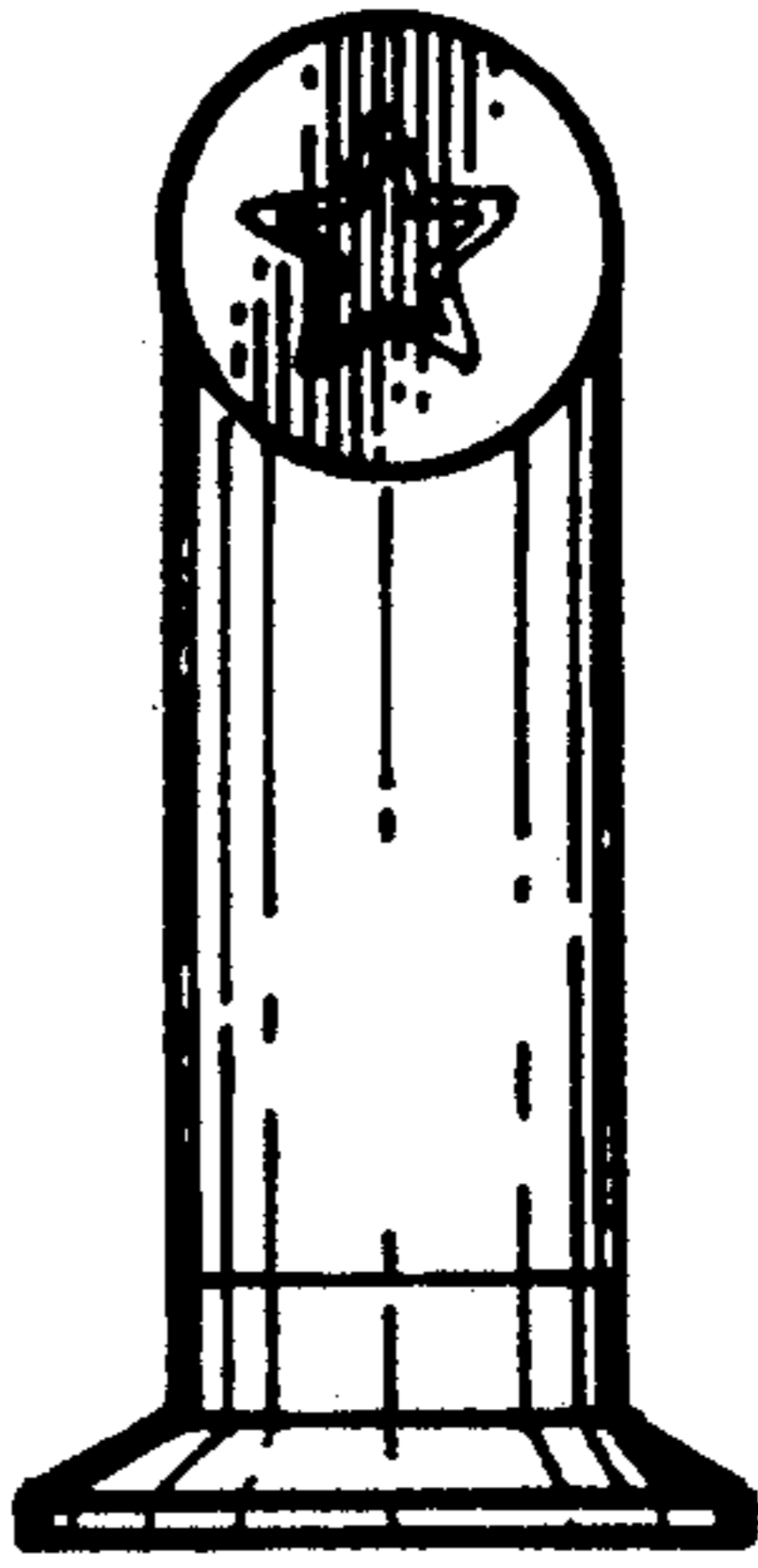


FIG. 3

FIG. 4

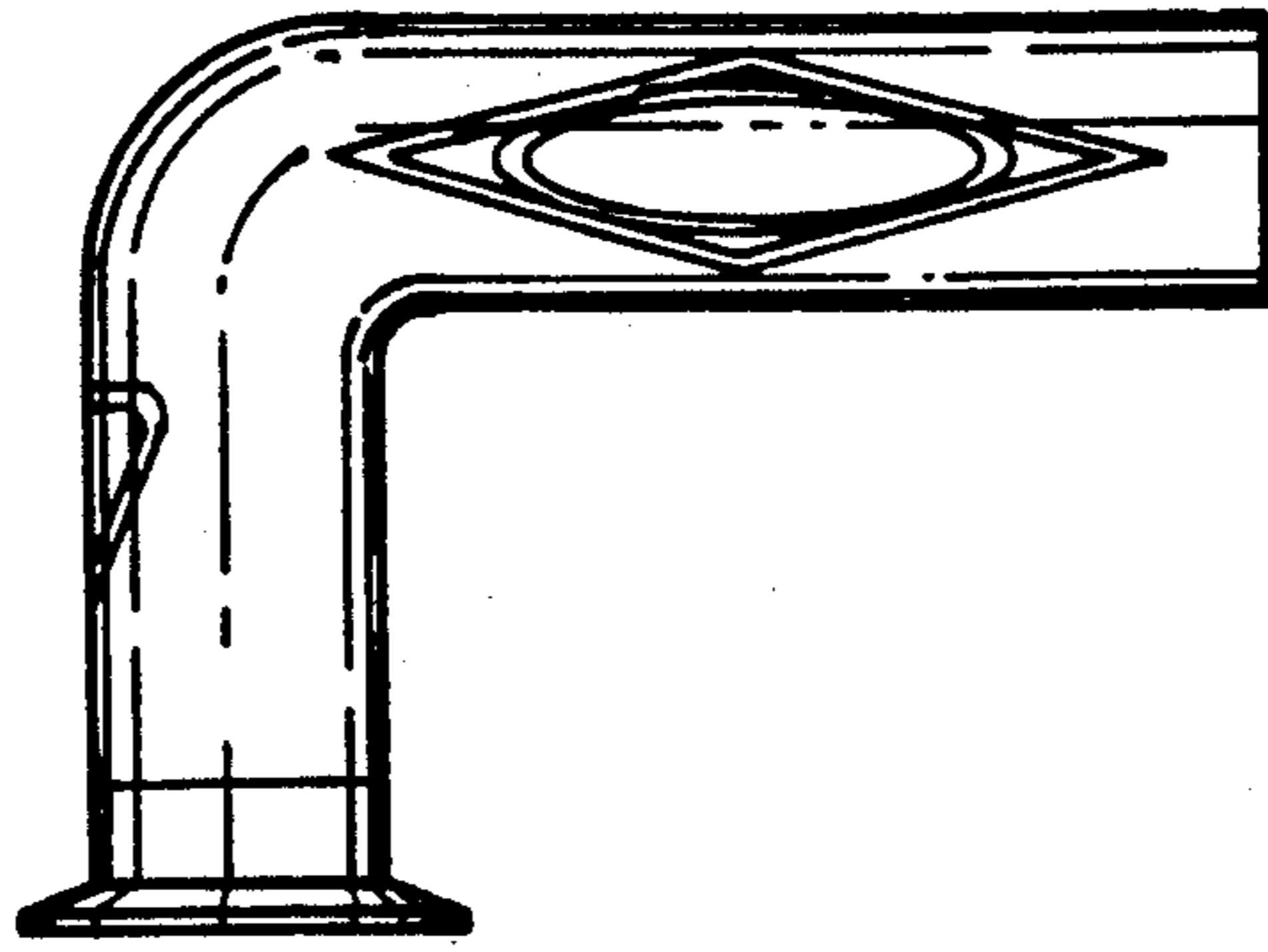


FIG. 7

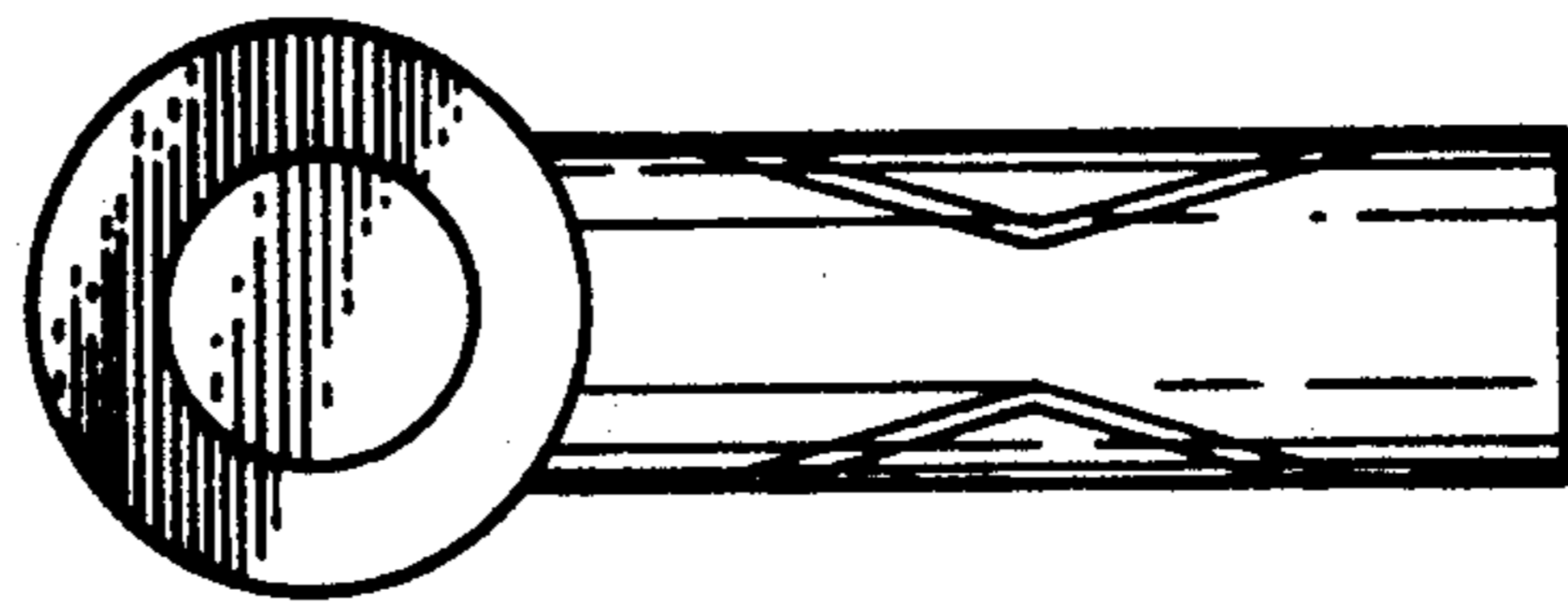


FIG. 6

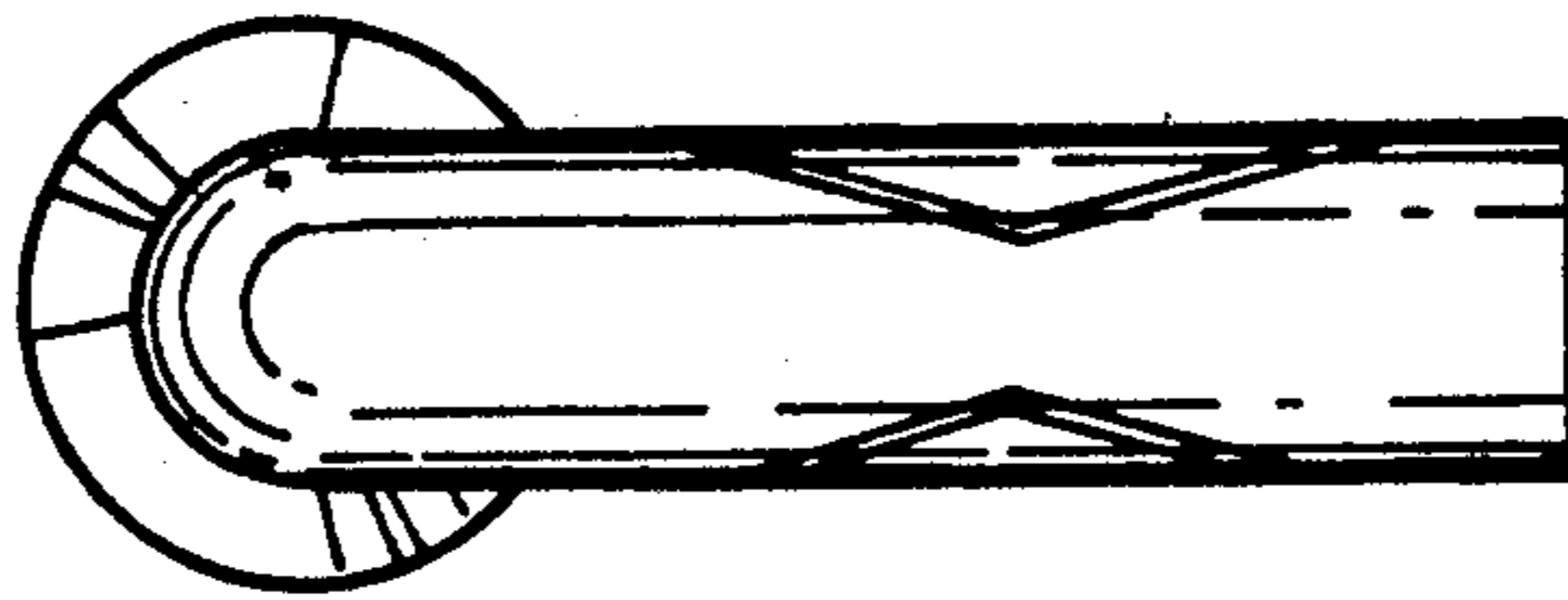
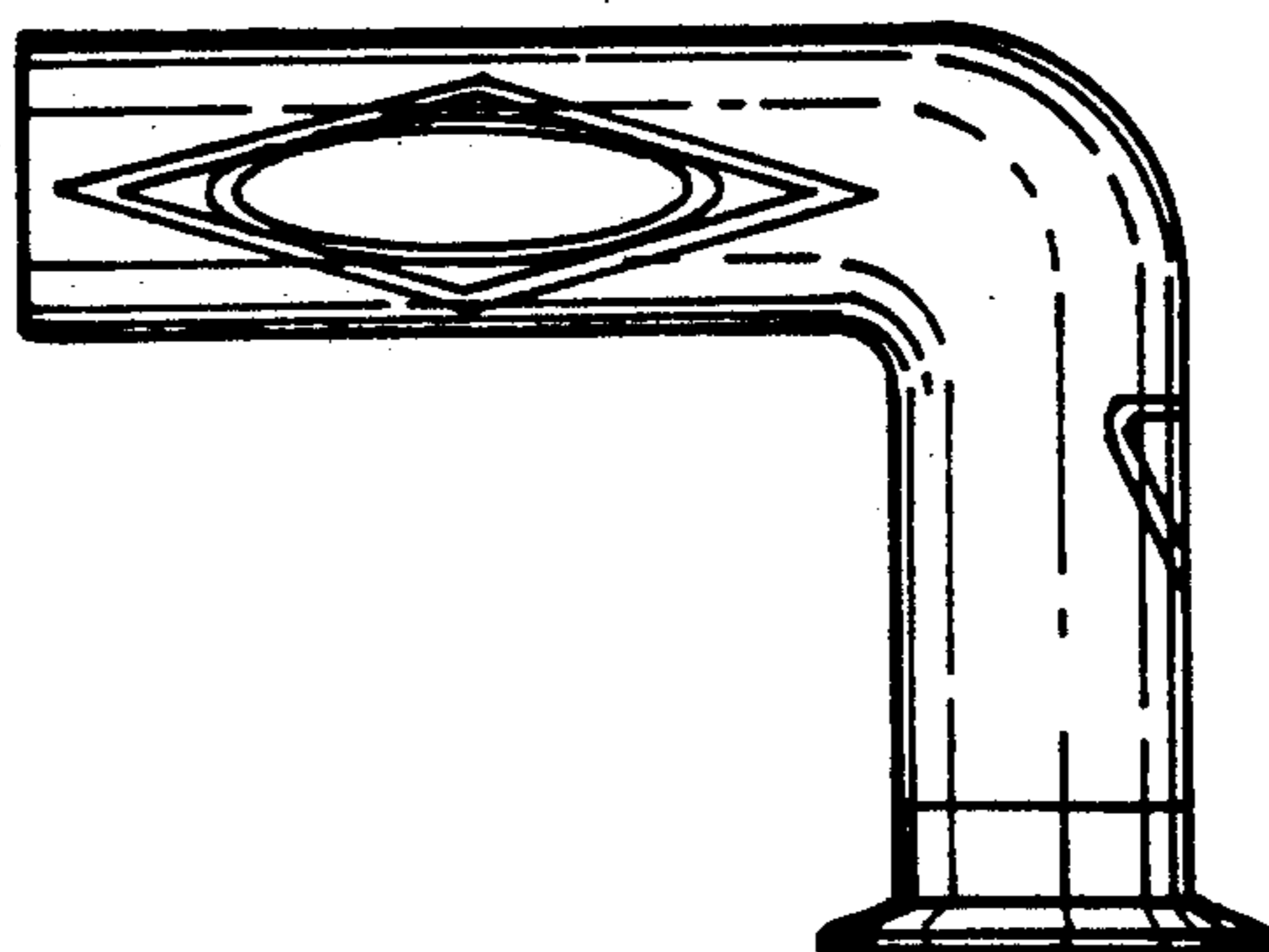


FIG. 5



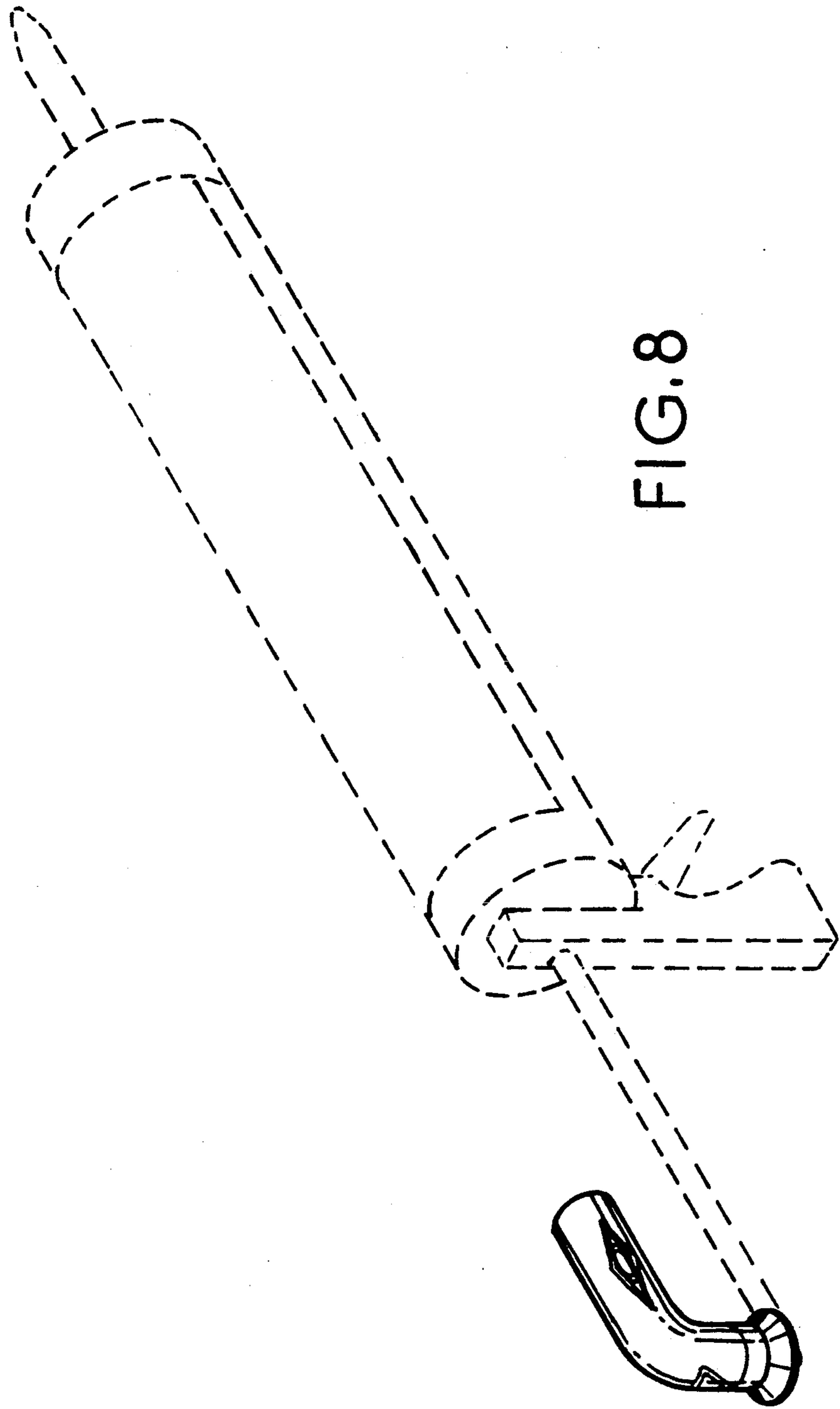


FIG. 8