



US00D338594S

United States Patent [19]

[11] Patent Number: **Des. 338,594**

Stenger

[45] Date of Patent: **** Aug. 24, 1993**

[54] BEVERAGE TAP

[75] Inventor: **Tracy K. Stenger, Rockford, Ill.**

[73] Assignee: **Johnson Enterprises, Inc., Rockford, Ill.**

[**] Term: **14 Years**

[21] Appl. No.: **742,683**

[22] Filed: **Aug. 8, 1991**

[52] U.S. Cl. **D7/398; D7/300.1**

[58] Field of Search **D7/398, 397, 393, 392, D7/538, 540, 300.1; 215/317, 321; 220/306; 222/400.7, 400.8; D9/503, 504, 447, 434; 137/212**

3,511,417	5/1970	Rousset	222/400.7
4,380,306	4/1983	Knopf	222/400.7 X
4,436,228	3/1984	Frey	222/400.7
4,717,048	1/1988	Stenger	222/400.8
5,054,687	10/1991	Burns et al.	222/400.7 X

Primary Examiner—Alan P. Douglas
Assistant Examiner—M. N. Pandozzi
Attorney, Agent, or Firm—Leydig, Voit & Mayer

[57] CLAIM

The ornamental design for a beverage tap, as shown and described.

DESCRIPTION

FIG. 1 is a top plan view of a beverage tap, showing my new design;
FIG. 2 is a side elevational view, the opposite side being a mirror image thereof;
FIG. 3 is a bottom plan view thereof;
FIG. 4 is an end view as seen from the left of FIG. 2; and,
FIG. 5 is an end view as seen from the right of FIG. 2.

[56] References Cited

U.S. PATENT DOCUMENTS

D. 255,798	7/1980	Wiedmann	D7/398
D. 315,847	4/1991	Sebillotte	D7/393
D. 331,365	12/1992	Davis	D7/300.1 X
2,223,012	11/1940	Wanderski et al.	222/400.7

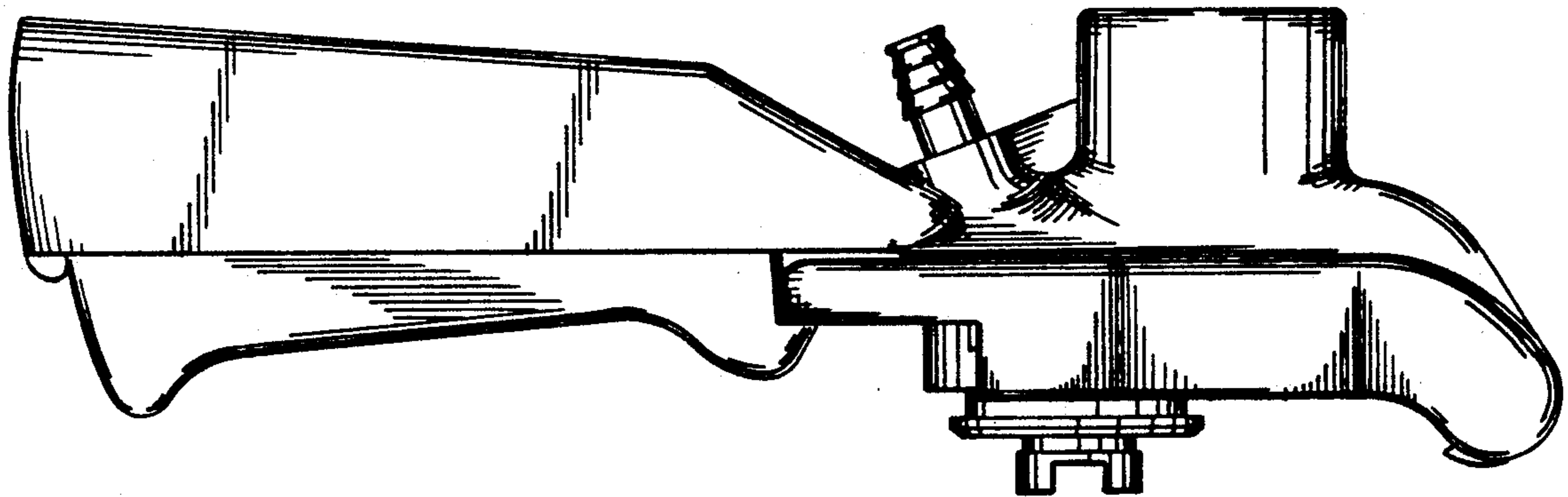


FIG. 1

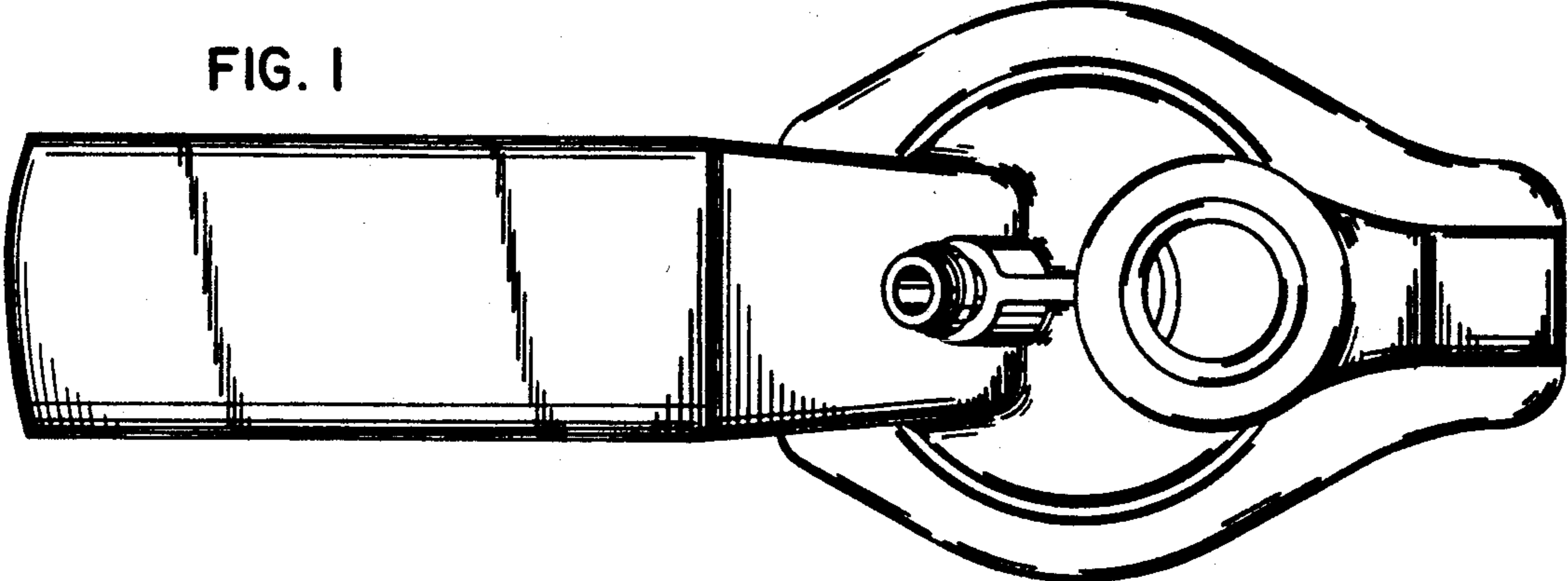


FIG. 2

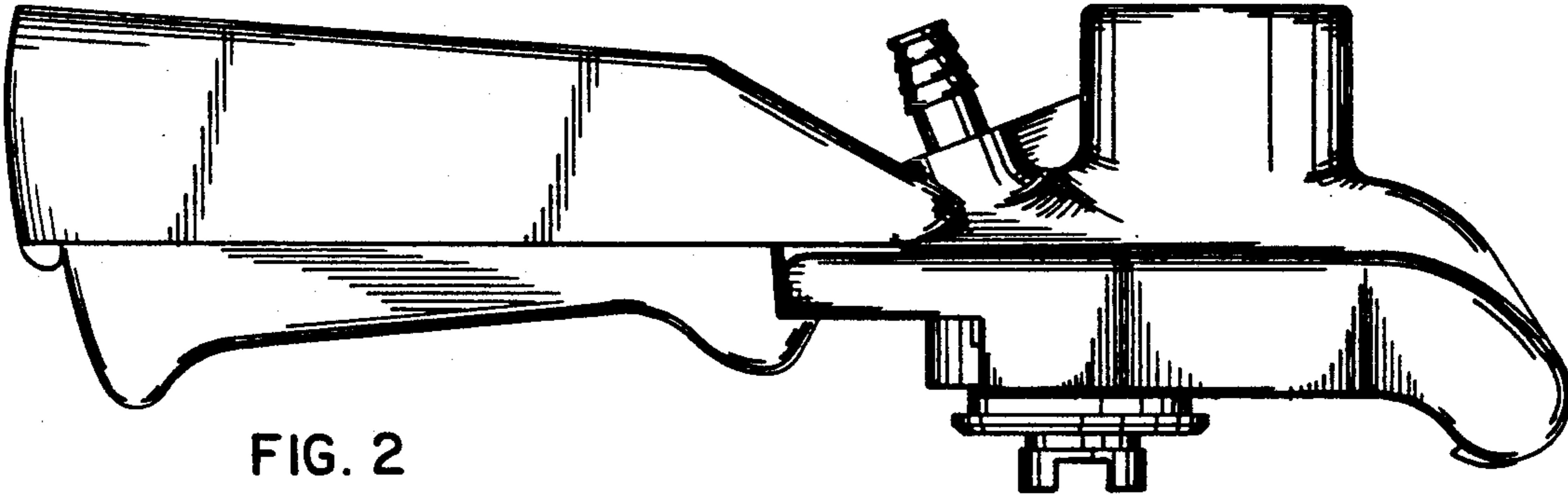


FIG. 3

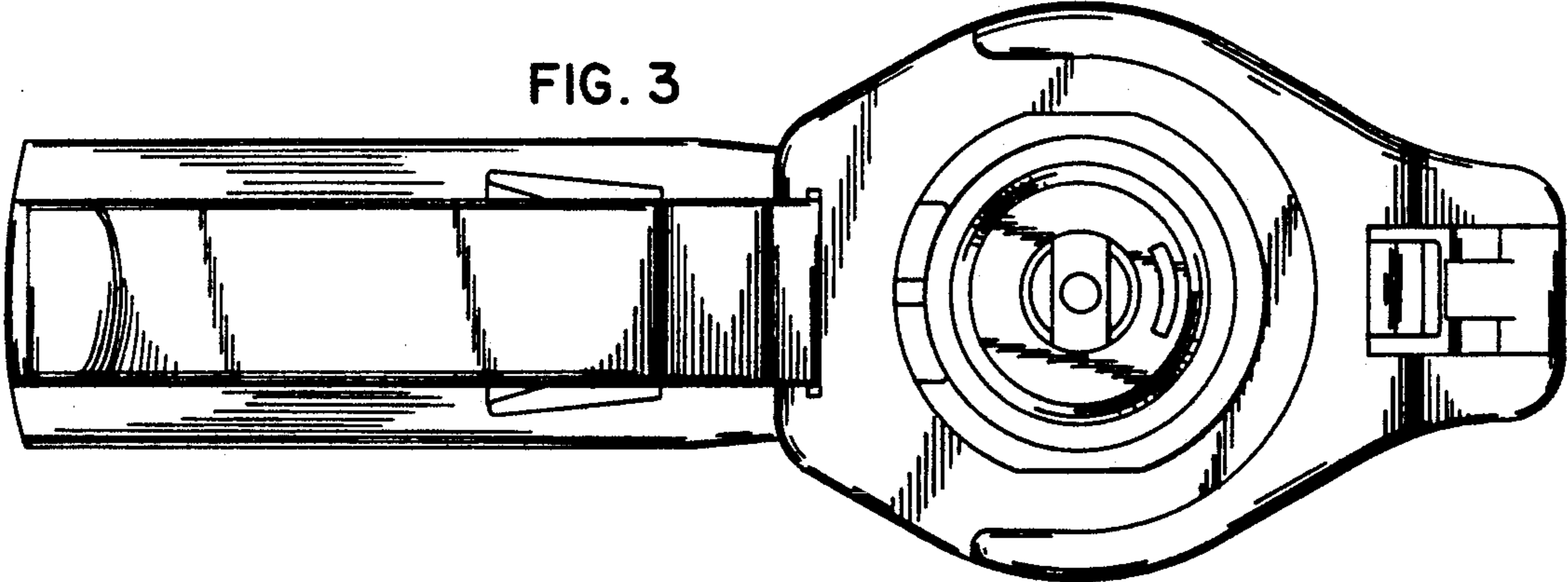


FIG. 4

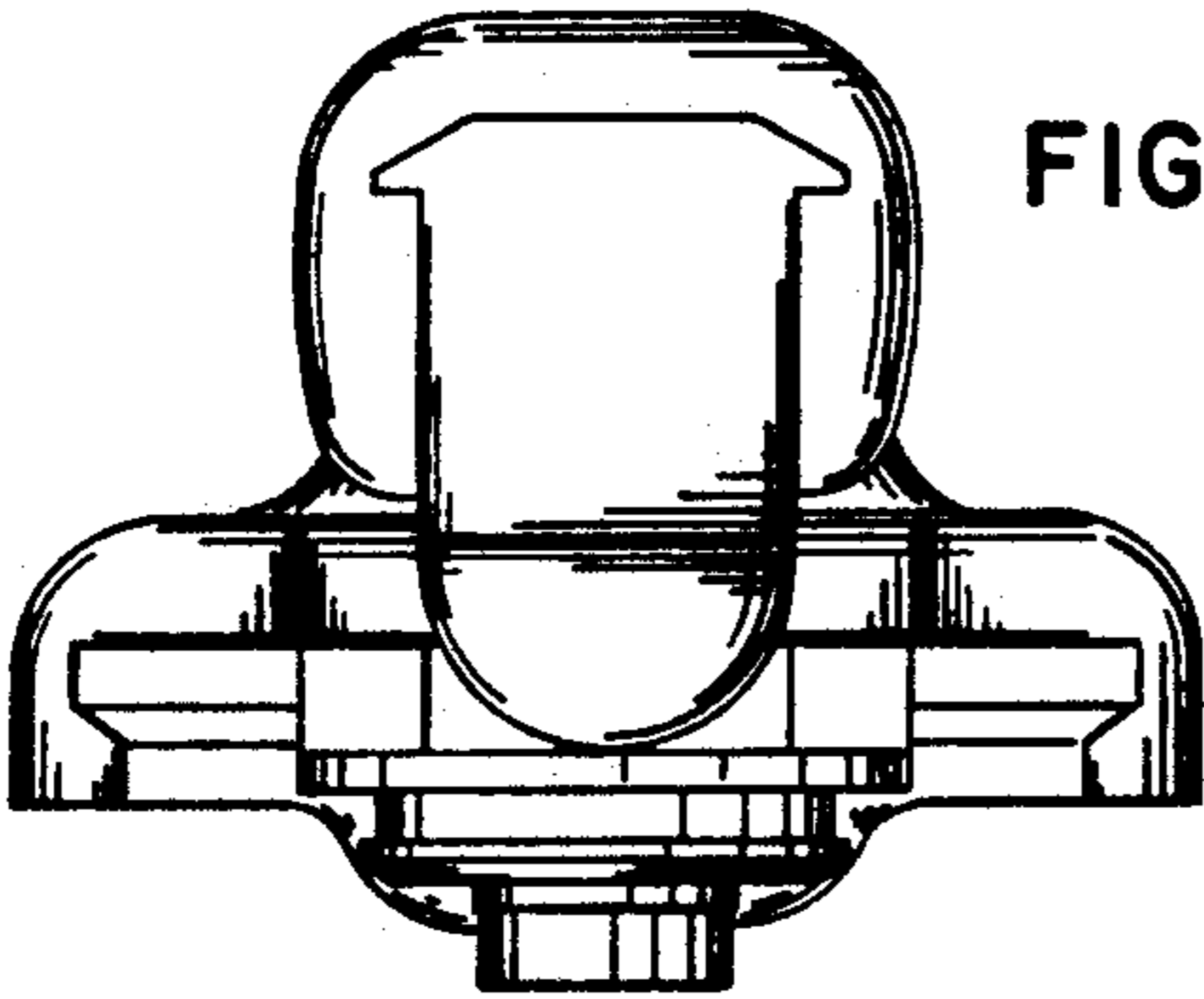


FIG. 5

