



US00D338583S

United States Patent [19]

[11] Patent Number: **Des. 338,583**

Esposito, Jr.

[45] Date of Patent: **** Aug. 24, 1993**

[54] **MAGNETIC TOOTHBRUSH SUPPORT ASSEMBLY**

4,325,485 4/1982 Pina et al. 211/66

[76] Inventor: **John Esposito, Jr., 544 Larkfield Rd., East Northport, N.Y. 11731**

Primary Examiner—Brian N. Vinson
Attorney, Agent, or Firm—Alfred M. Walker

[**] Term: **14 Years**

[57] **CLAIM**

The ornamental design for a magnetic toothbrush support assembly, as shown and described.

[21] Appl. No.: **787,970**

DESCRIPTION

[22] Filed: **Nov. 1, 1991**

[52] U.S. Cl. **D6/534**

[58] Field of Search **D6/528, 534; D13/183; 211/13, 65-66, 87, 88; 206/362.1, 373; 248/110, 467, 206.5, 309.4**

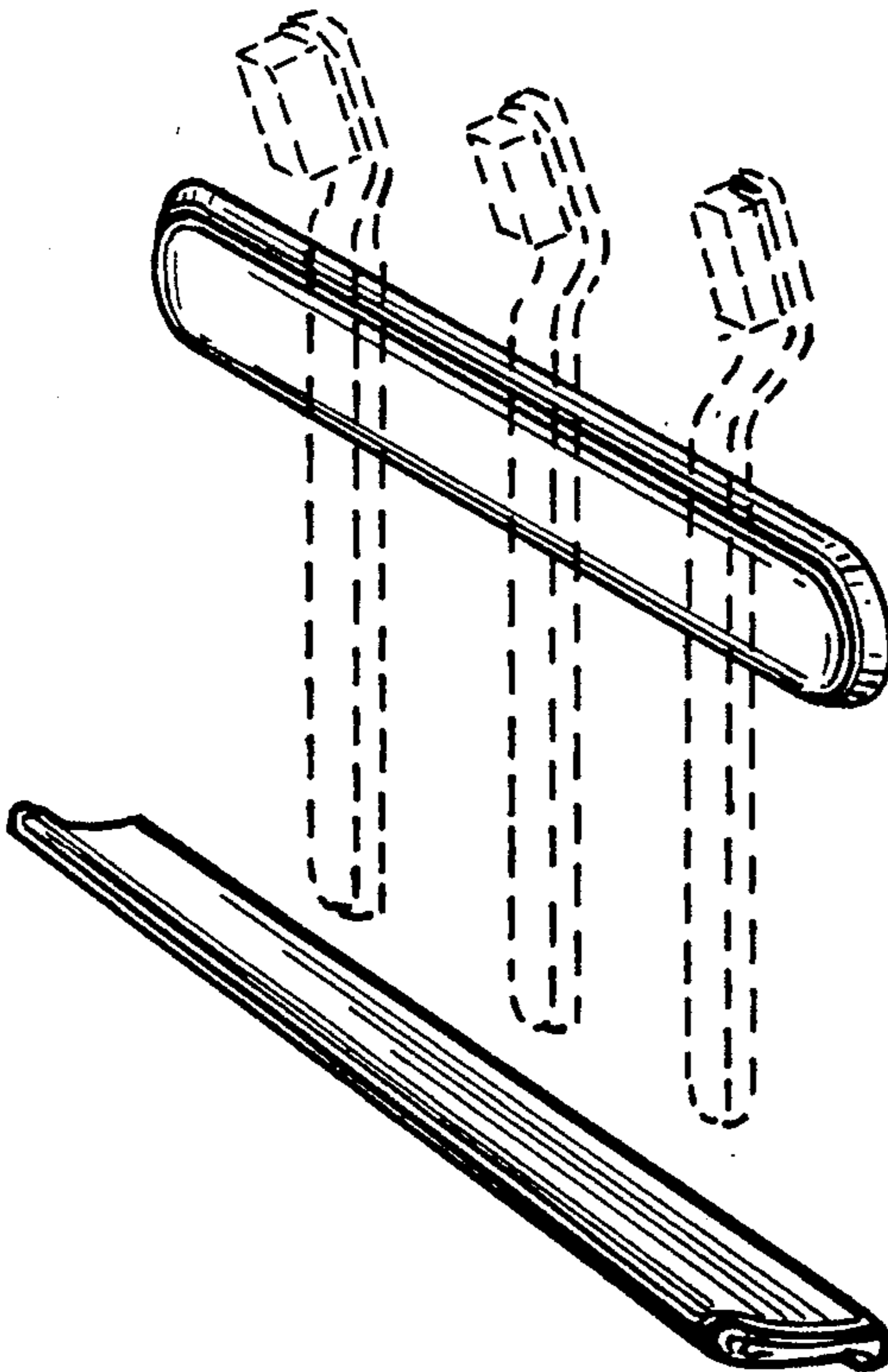
FIG. 1 is a perspective view of a magnetic toothbrush support assembly, showing my new design; FIG. 2 is a front elevation view thereof; FIG. 3 is a right side elevational view thereof, the opposite side being identical thereof; FIG. 4 is a top plan view thereof; and, FIG. 5 is a bottom plan view thereof.

[56] **References Cited**

U.S. PATENT DOCUMENTS

- D. 190,407 5/1961 Tauscher D6/528
- D. 294,442 3/1988 Bordian D6/534 X
- 2,028,694 1/1936 Spinks 211/87

The broken-line disclosure of toothbrushes, a wall-fragment, and wall-mounting screws in the views is for illustrative purposes only and forms no part of the claimed design.



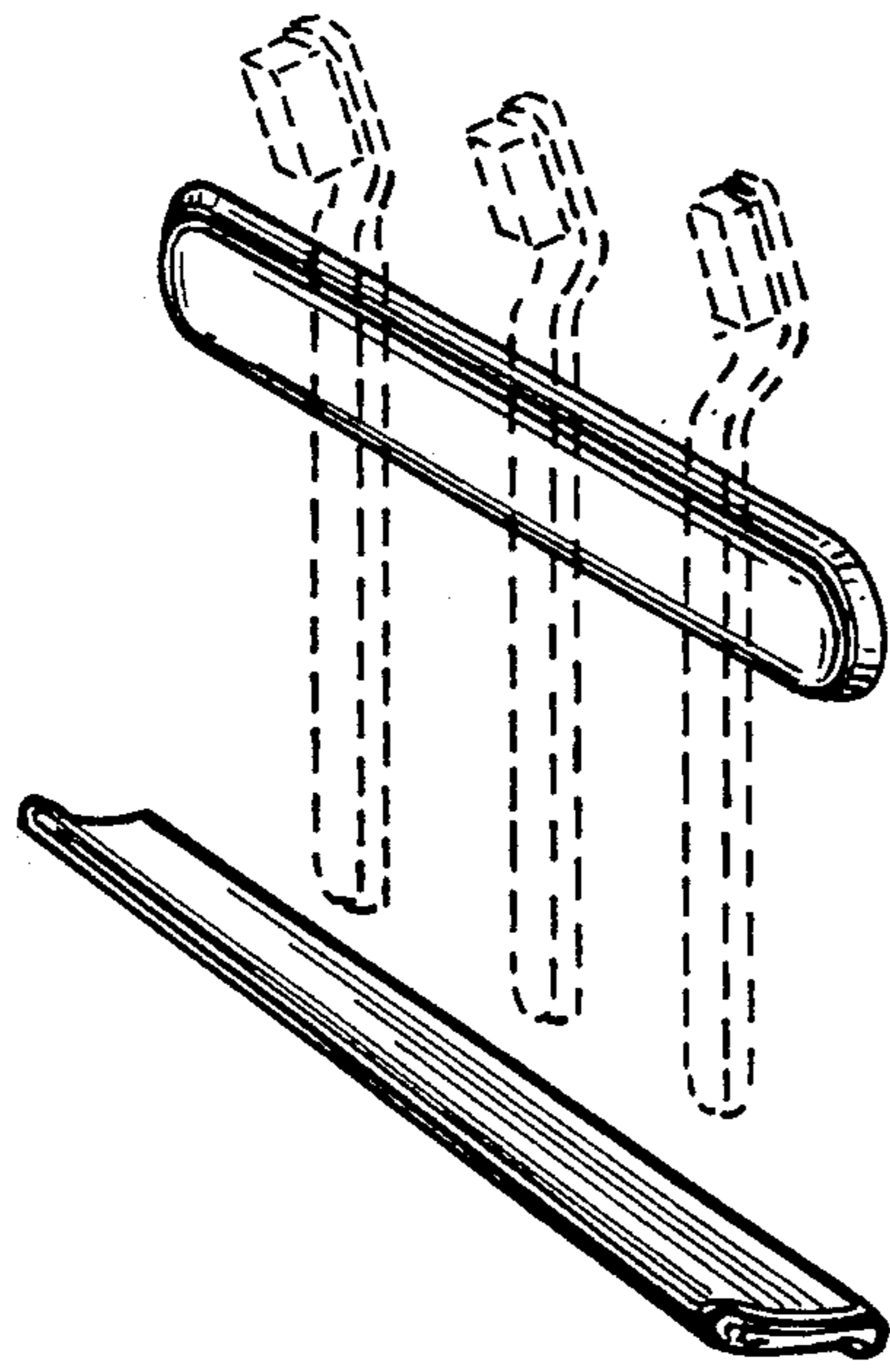


Fig. 1

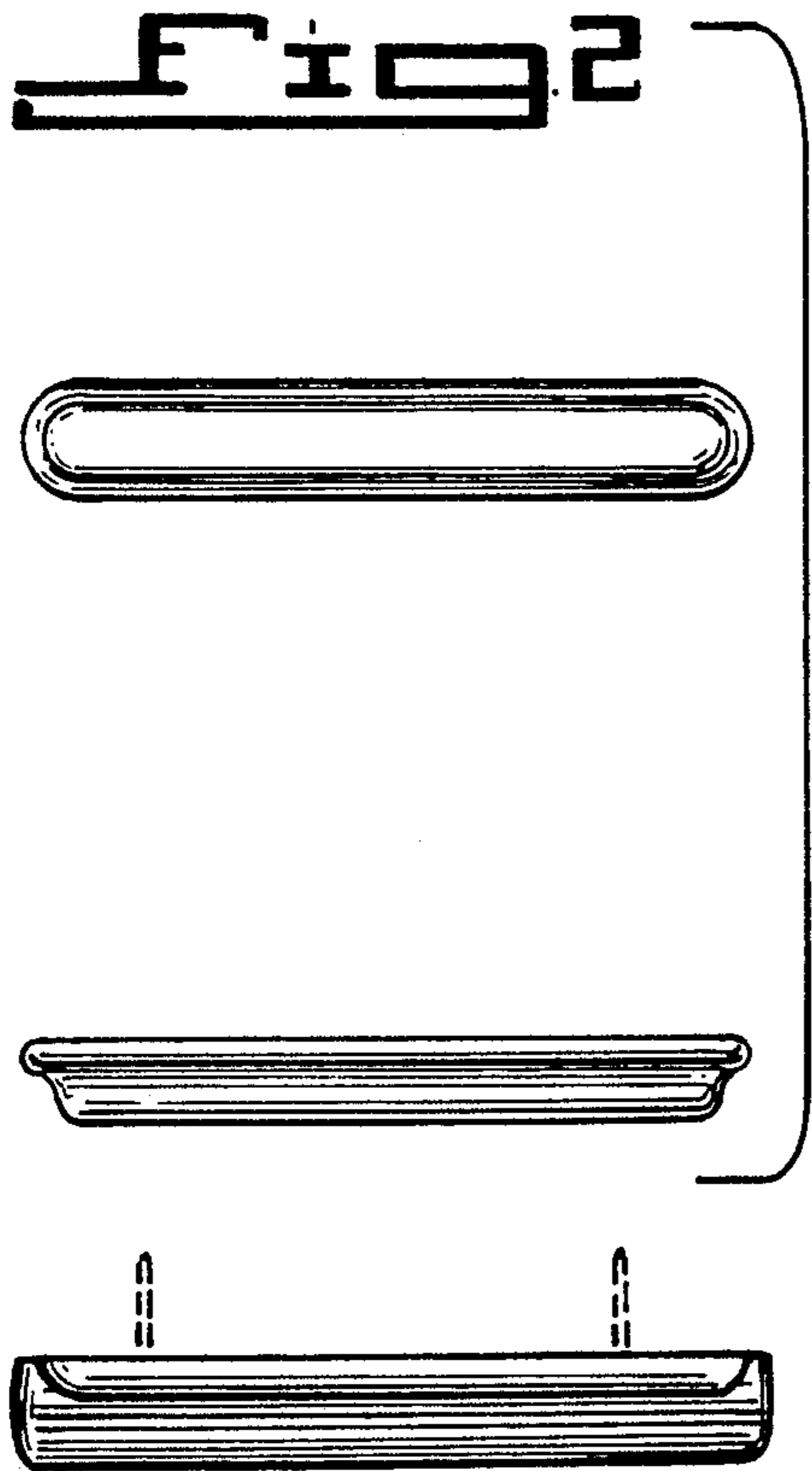


Fig. 4

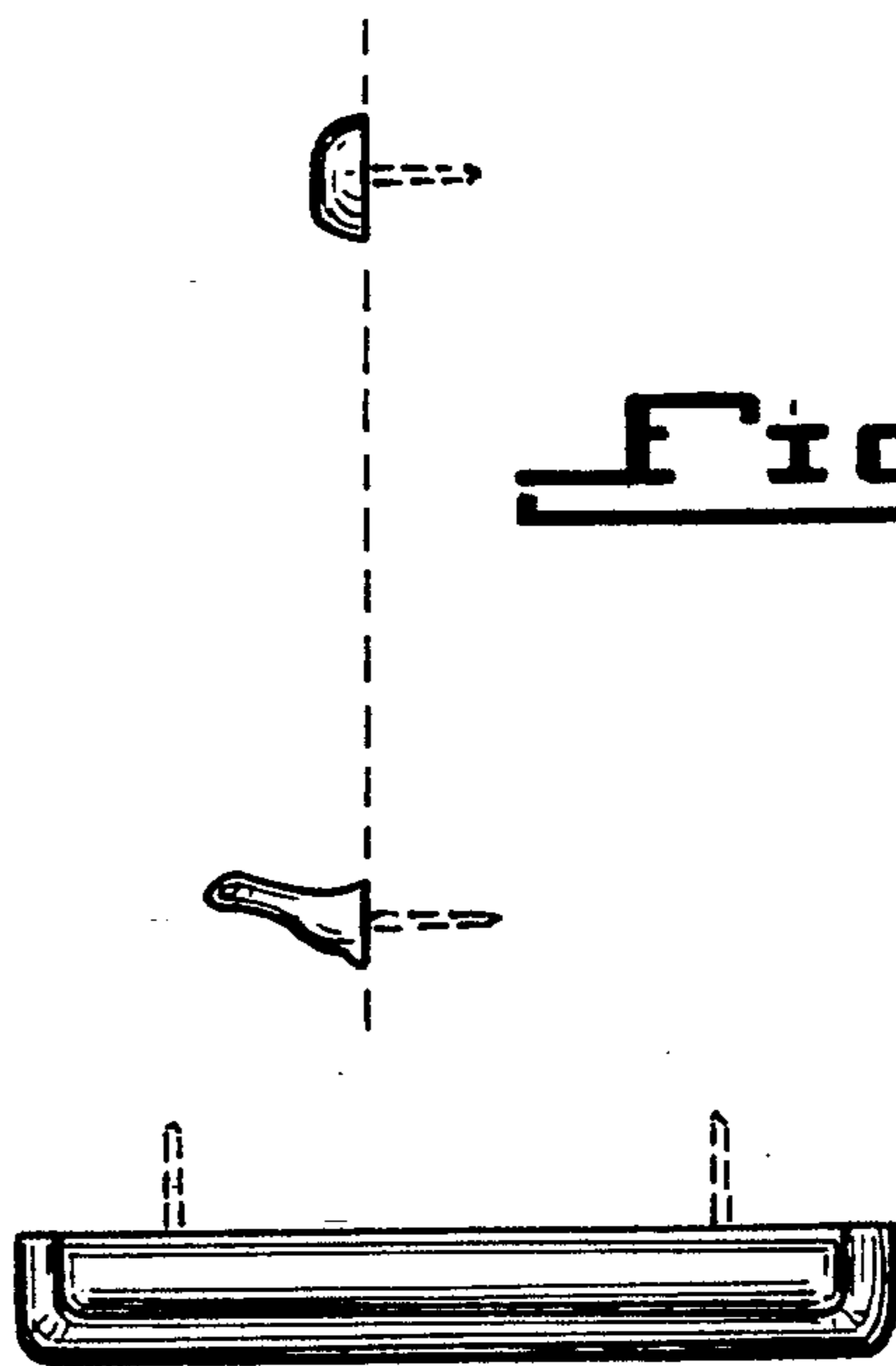


Fig. 3

Fig. 5