



US00D338580S

# United States Patent [19]

[11] Patent Number: **Des. 338,580**

Evans

[45] Date of Patent: **\*\* Aug. 24, 1993**

[54] **BACK REST**

[76] Inventor: **Jack Evans, 29500 Heathercliff Rd., #177, Malibu, Calif. 90265**

[\*\*] Term: **14 Years**

[21] Appl. No.: **805,825**

[22] Filed: **Dec. 11, 1991**

[52] U.S. Cl. .... **D6/502; D6/368**

[58] Field of Search ..... **D6/500-502, D6/491, 601, 334, 374, 375, 379, 380, 366; 297/219; 5/652, 653, 656, 657, 636**

[56] **References Cited**

**U.S. PATENT DOCUMENTS**

D. 268,976	5/1983	Ross	.....	D6/502
D. 298,788	12/1988	Thompson	.....	D6/502
D. 314,868	2/1991	Camacho	.....	D6/334
D. 325,683	4/1992	Meyer et al.	.....	D6/601
4,232,899	11/1980	Fister, Jr.	.....	D6/334 X
4,597,605	7/1986	Gilbert	.....	D6/601 X
4,630,323	12/1986	Sage et al.	.....	5/657 X
4,925,241	5/1990	Geraci	.....	5/420 X

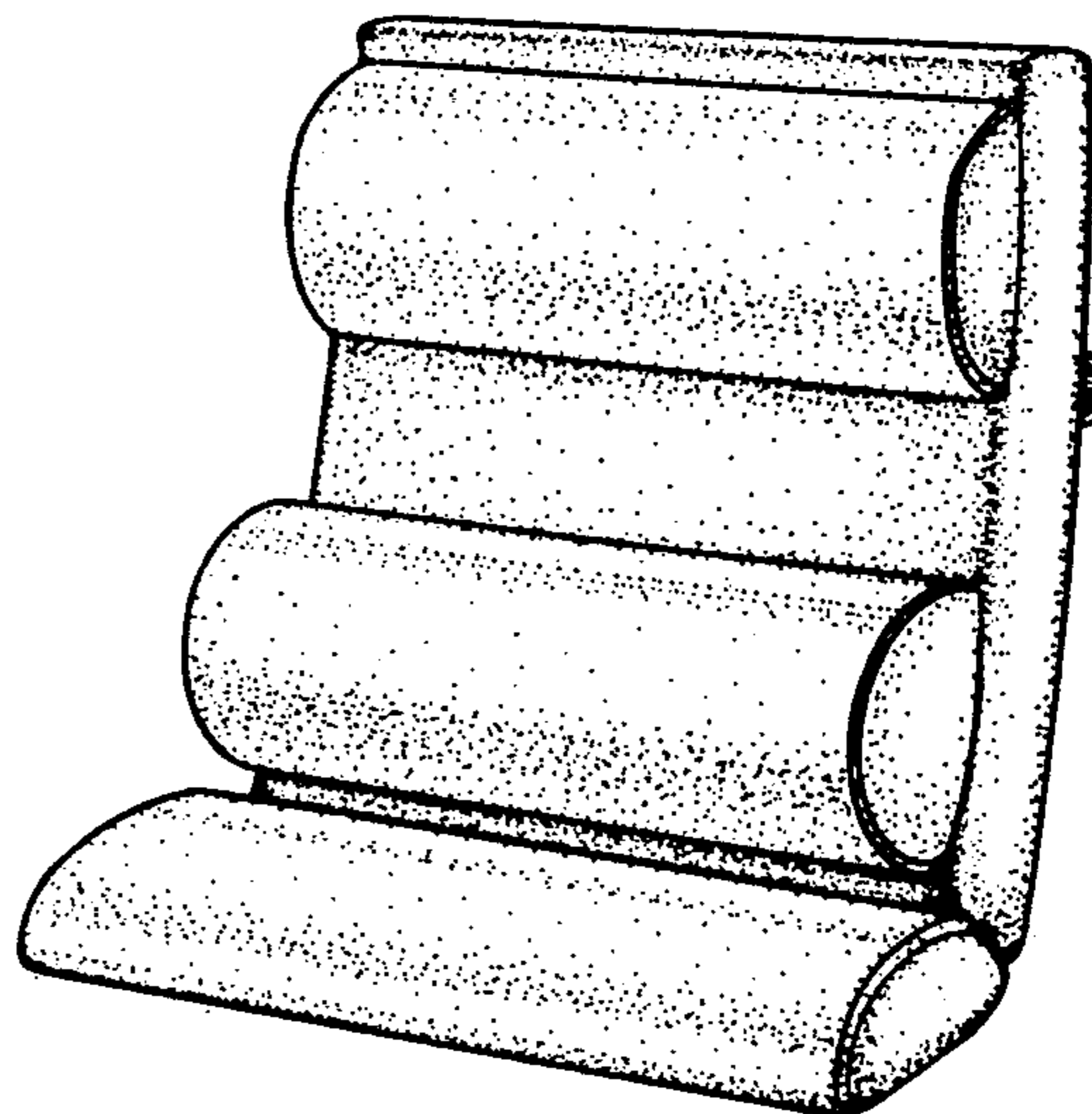
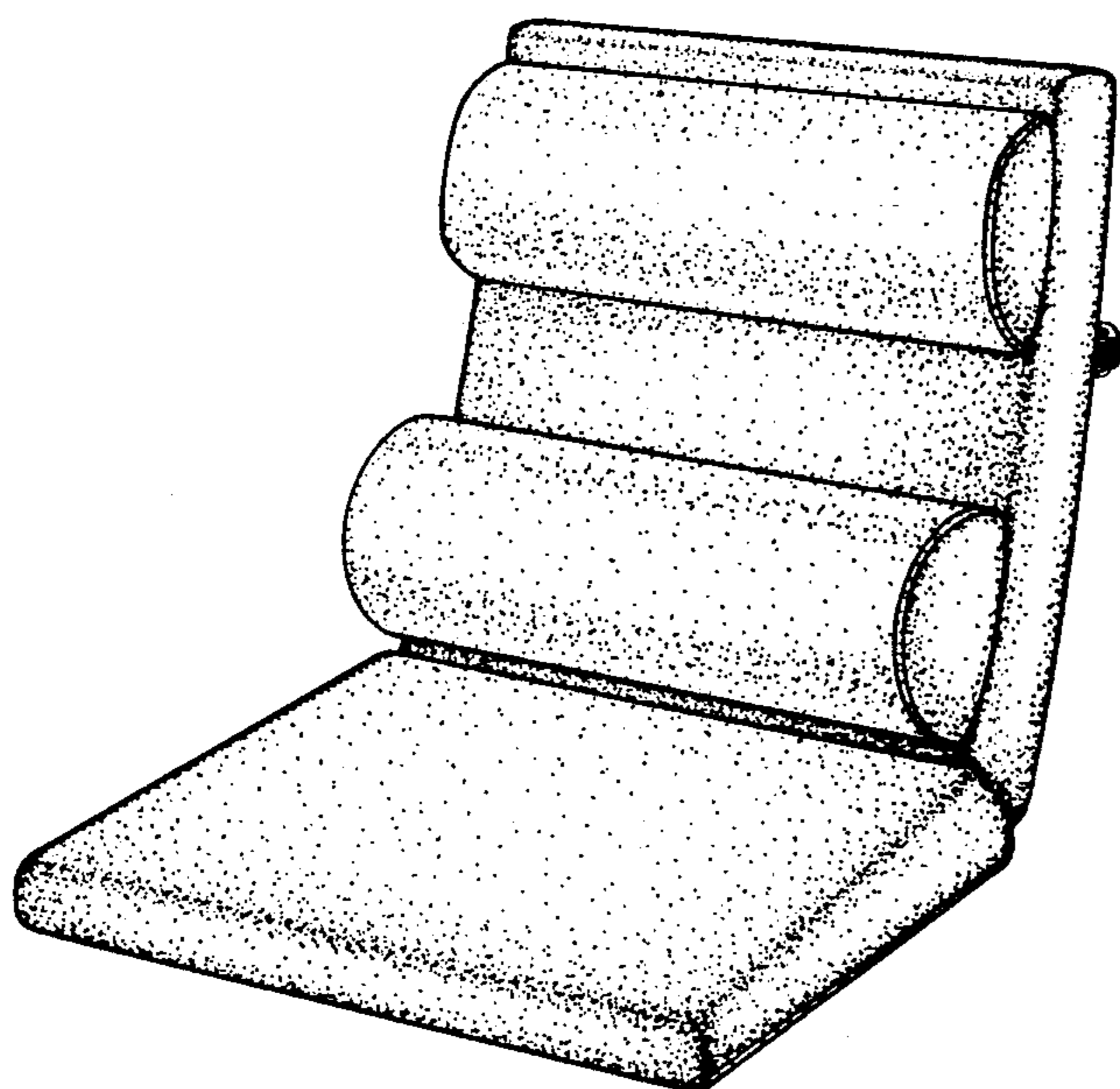
*Primary Examiner*—Nelson C. Holtje  
*Assistant Examiner*—J. E. Seeger  
*Attorney, Agent, or Firm*—Koda and Androlia

[57] **CLAIM**

The ornamental design for a back rest, as shown and described.

**DESCRIPTION**

FIG. 1 is a perspective view which is taken from the front, top and right side of the first embodiment of the back rest showing my new design;  
FIG. 2 is a left side elevational view thereof, the right side view being a mirror image thereof;  
FIG. 3 is a front elevational view thereof;  
FIG. 4 is a top plan view thereof;  
FIG. 5 is a rear elevational view thereof;  
FIG. 6 is a bottom plan view thereof;  
FIG. 7 is a perspective view which is taken from the front, top and right side of the second embodiment of the back rest showing my new design;  
FIG. 8 is a left side elevational view thereof, the right side view being a mirror image thereof;  
FIG. 9 is a back elevational view thereof; and,  
FIG. 10 is a bottom plan view thereof.



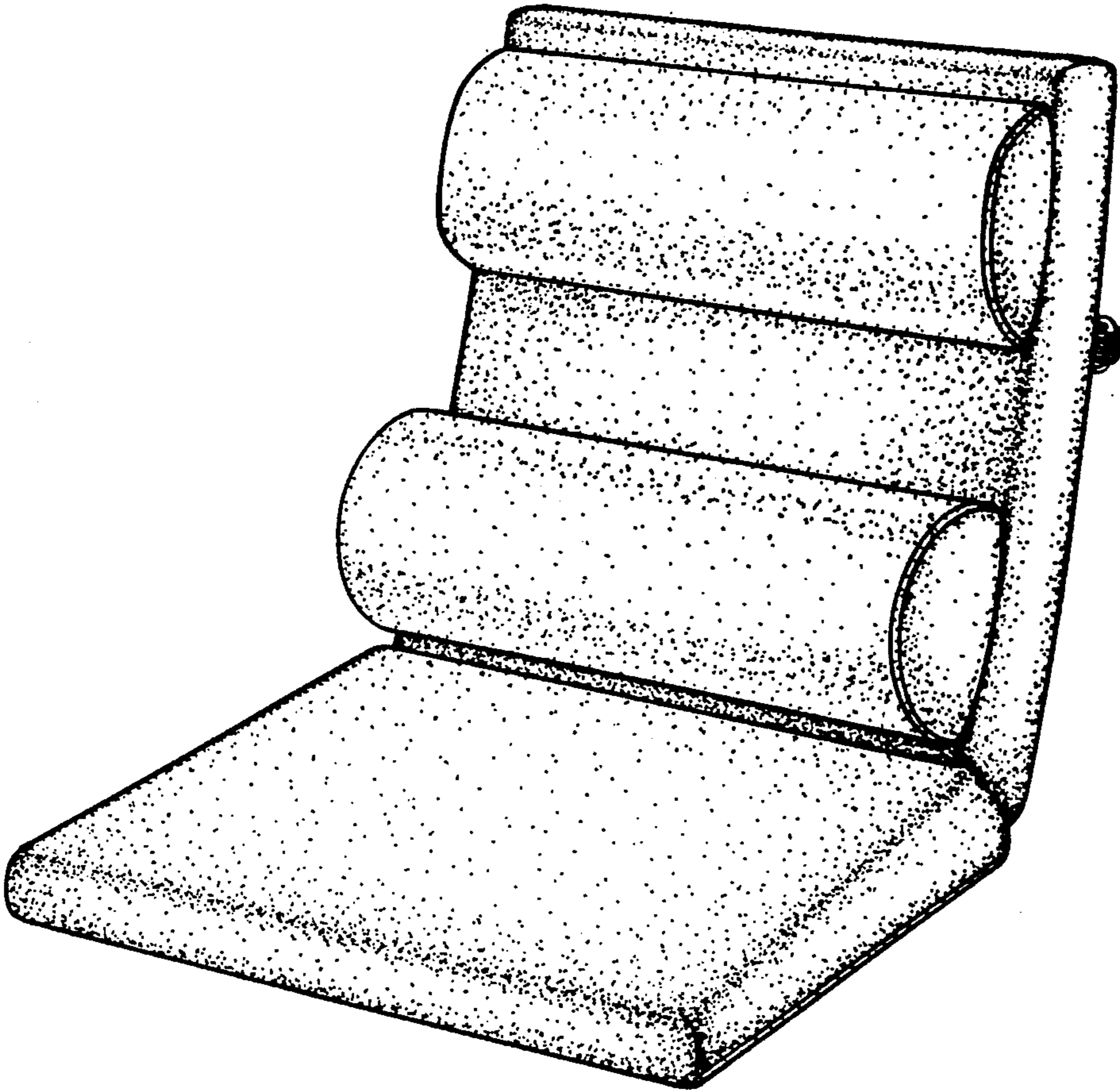


FIG. 1

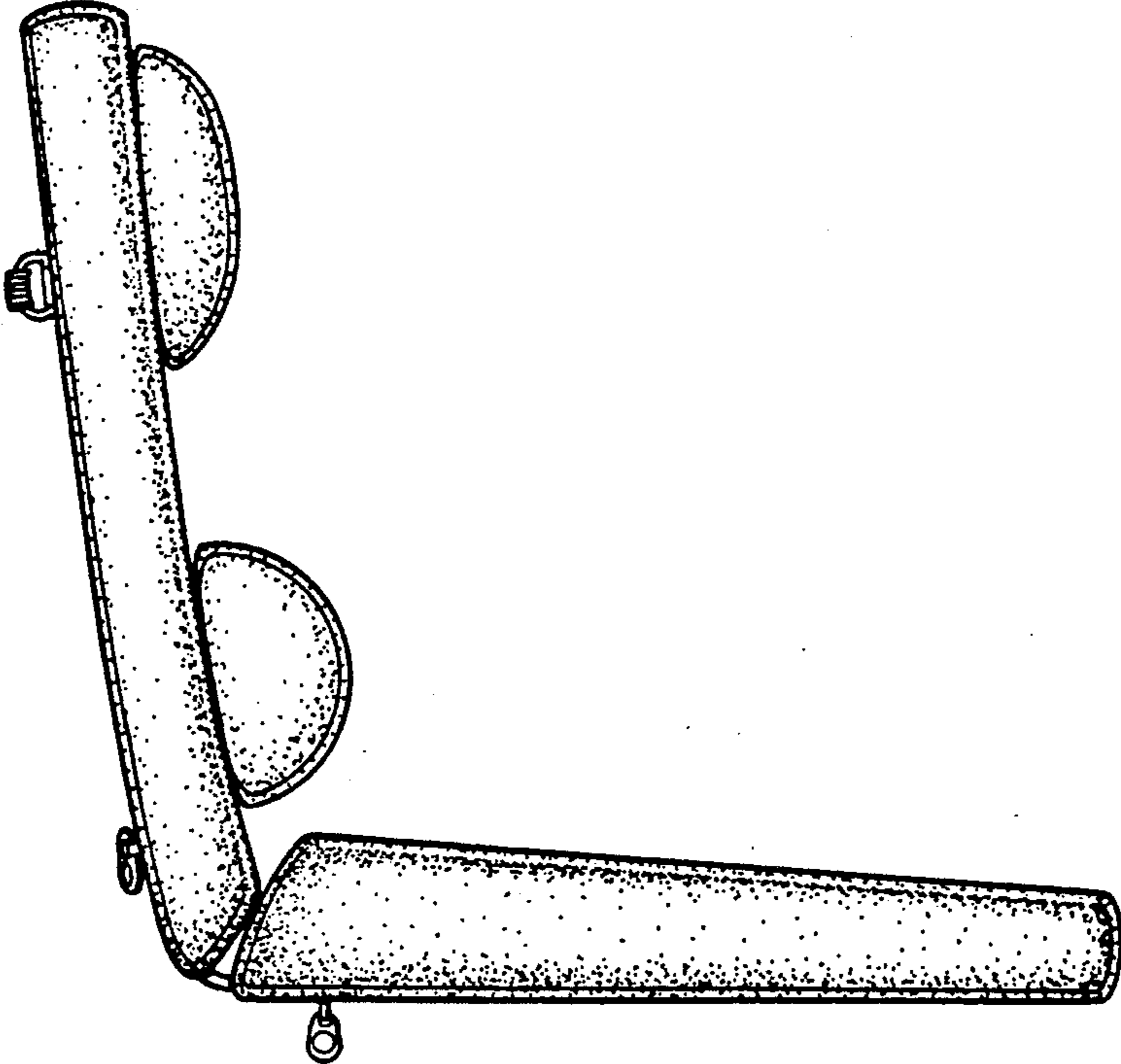


FIG. 2

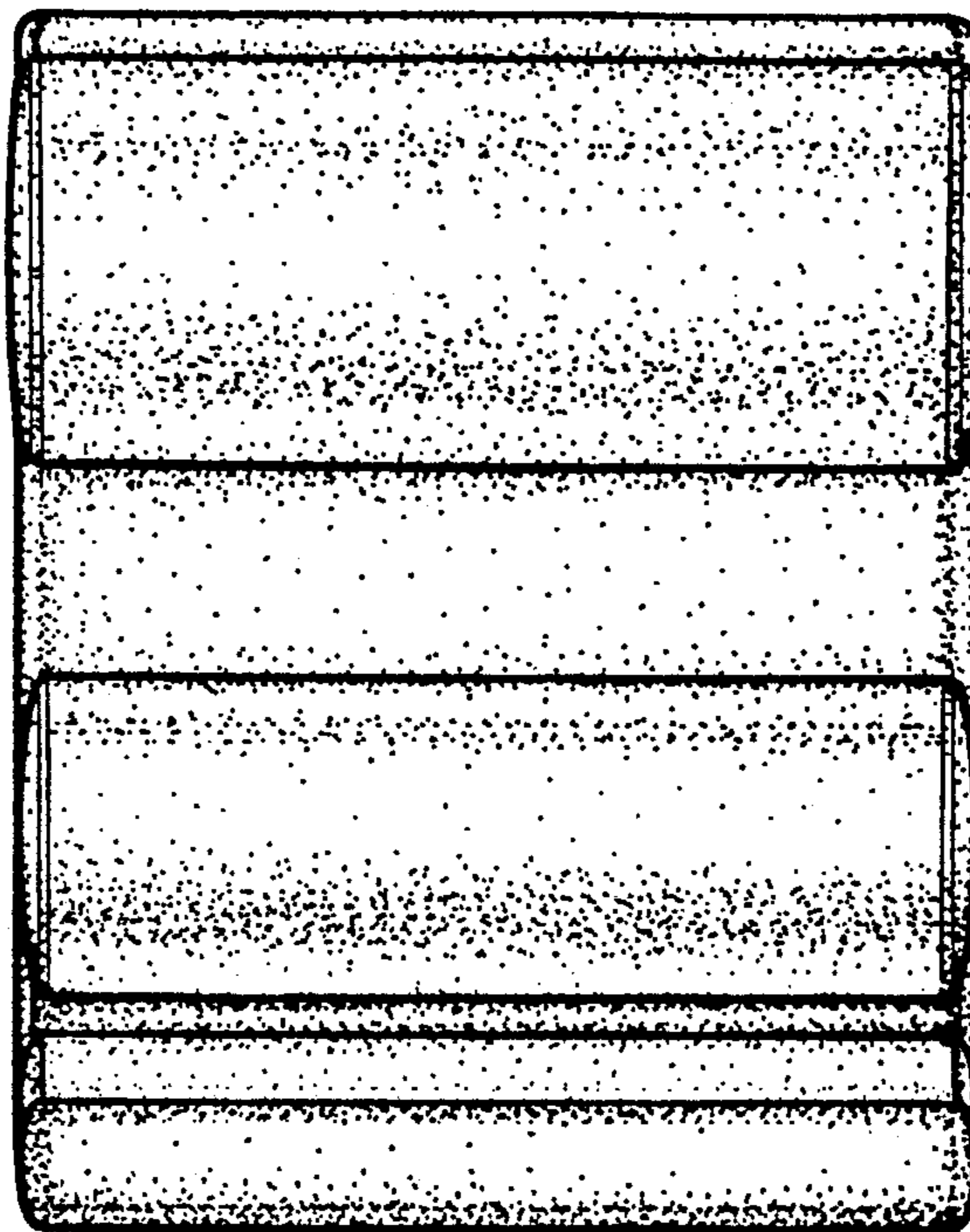


FIG. 3

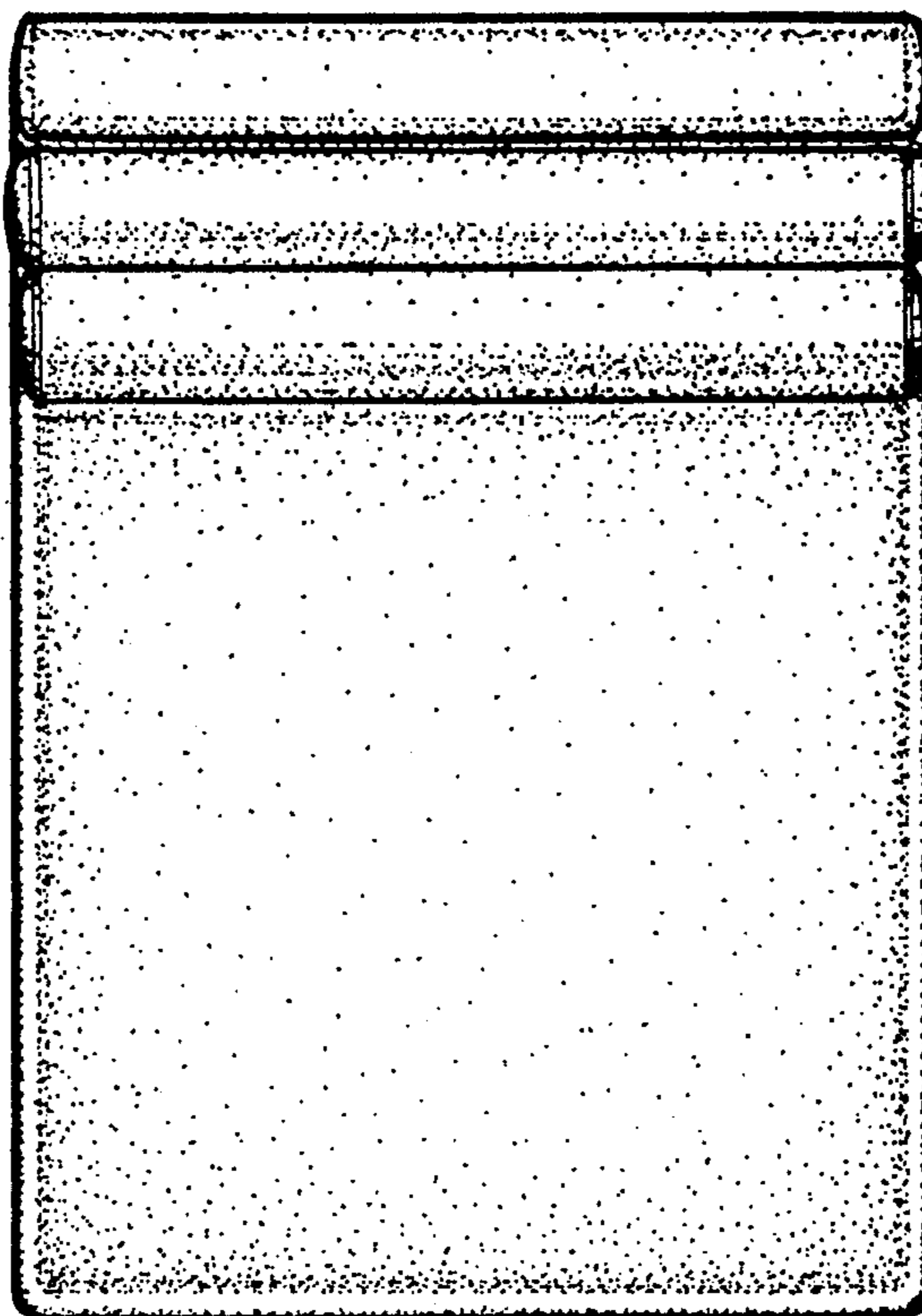


FIG. 4

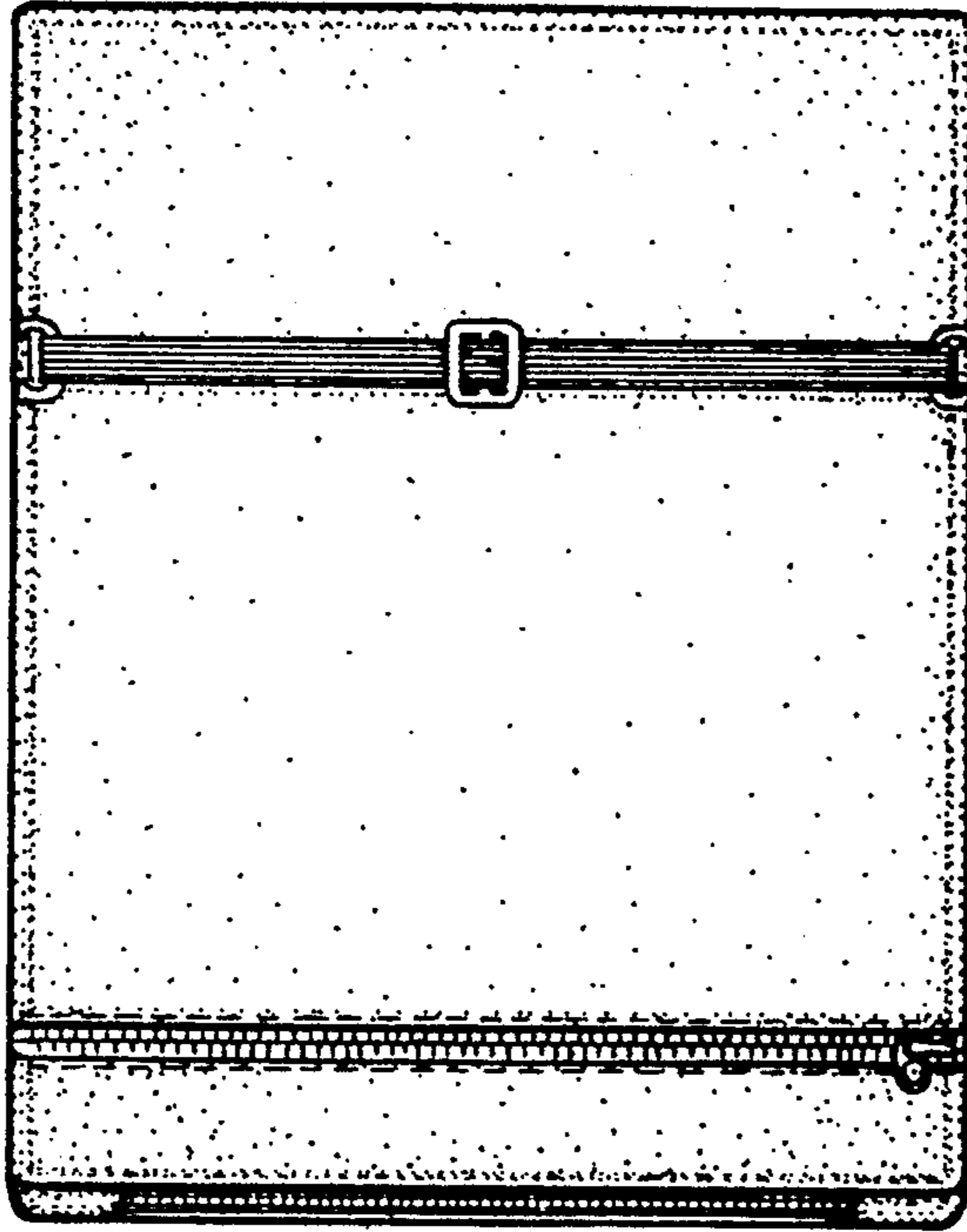


FIG. 5

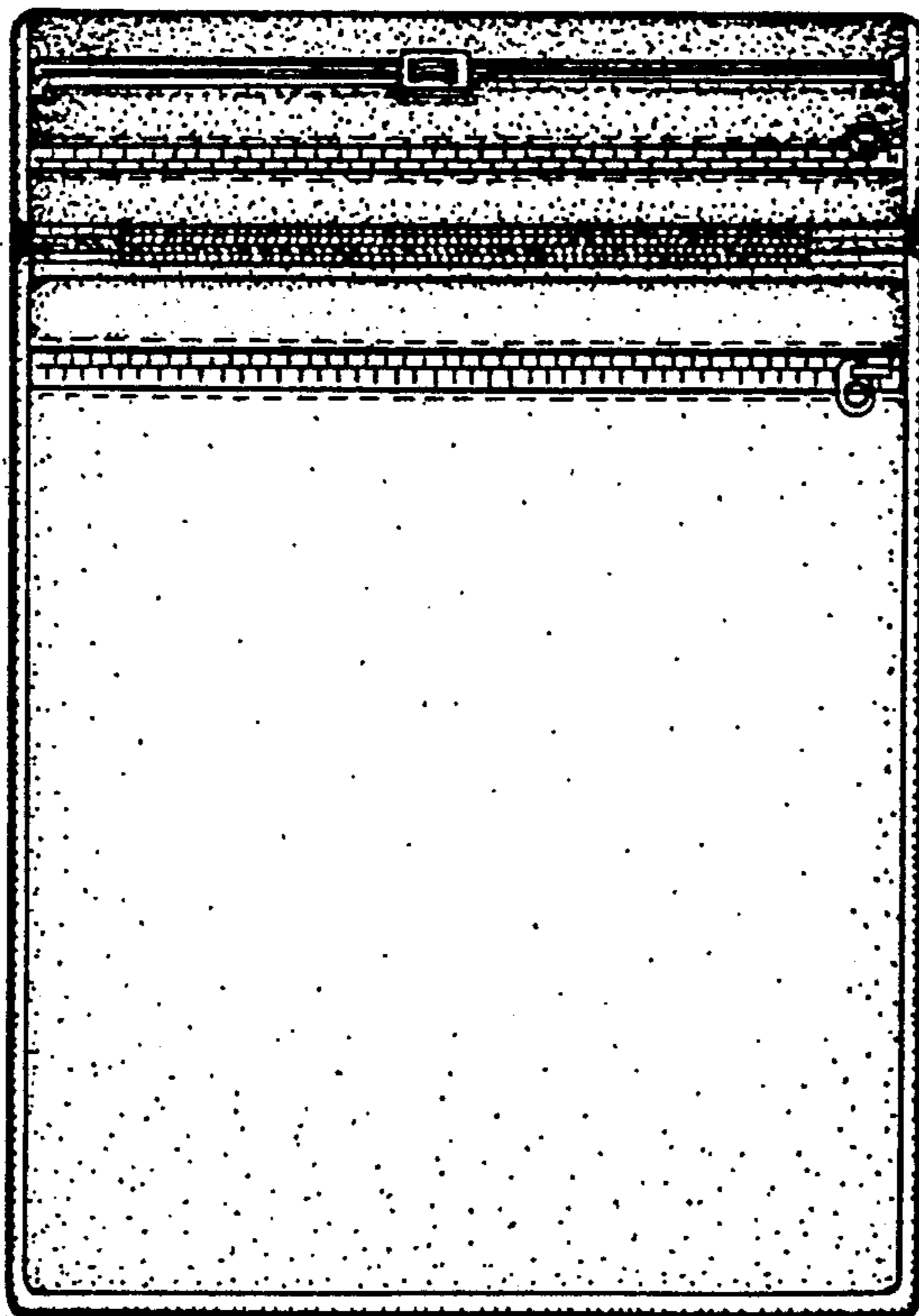


FIG. 6

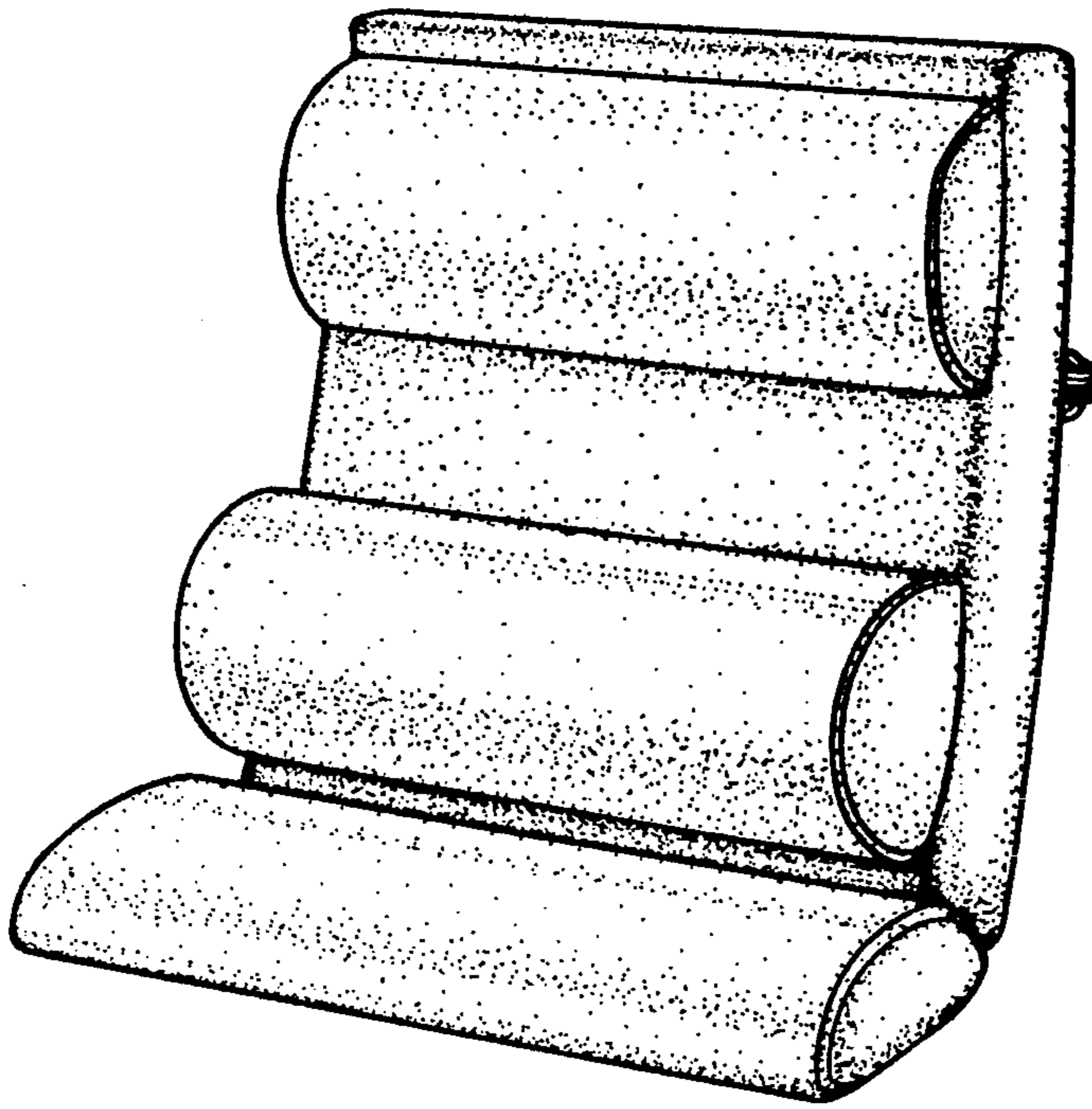


FIG. 7

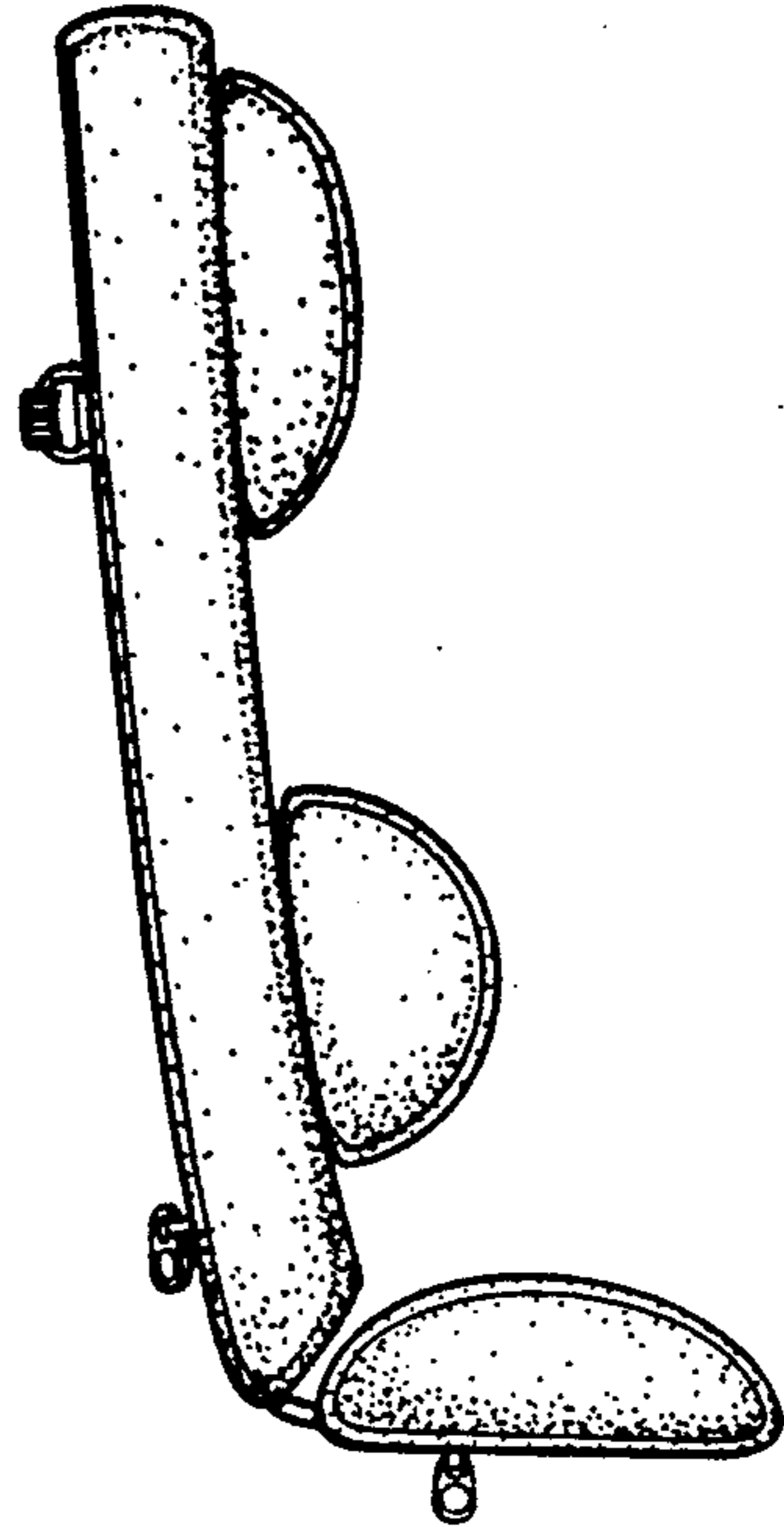


FIG. 8

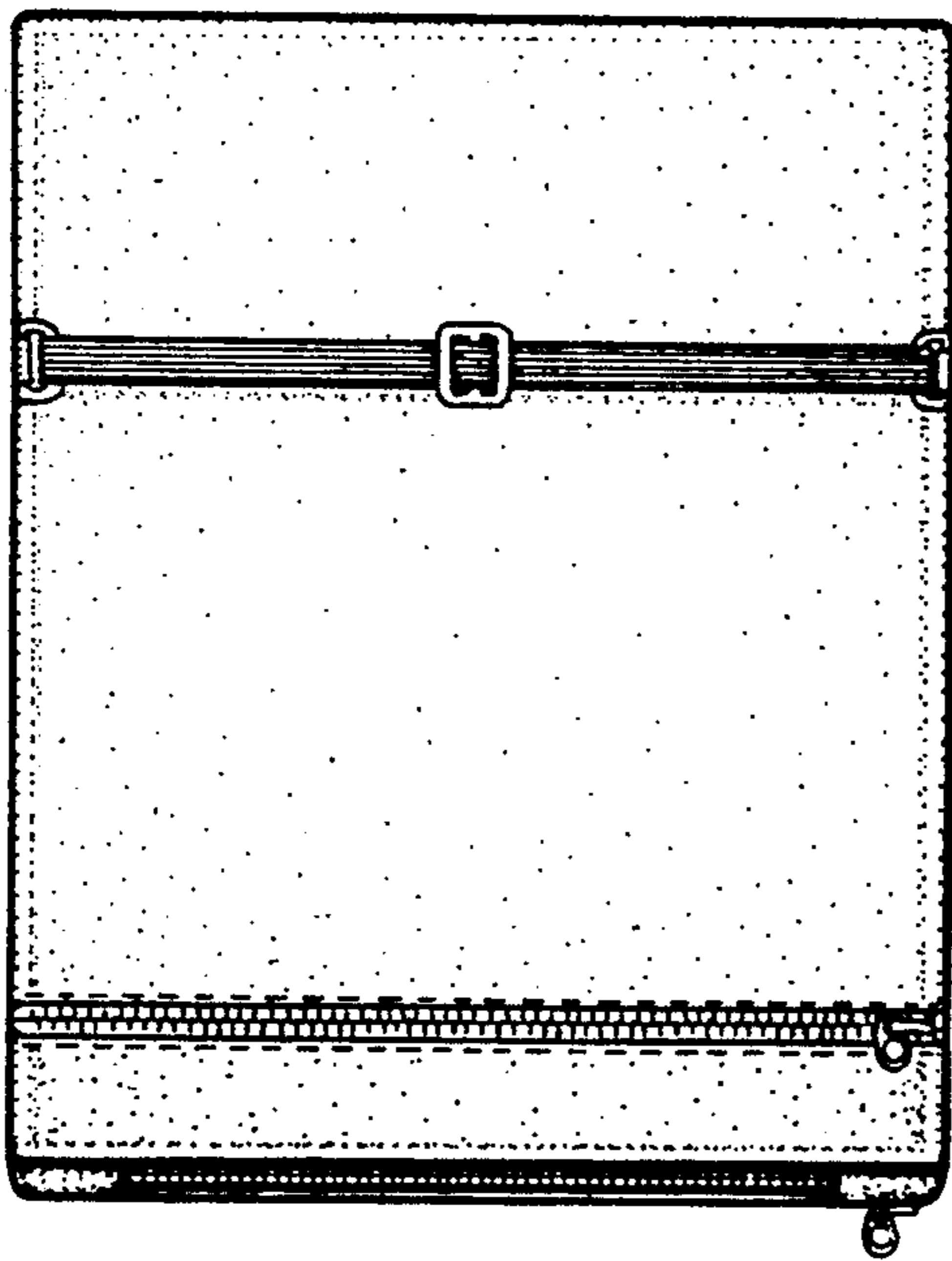


FIG. 9

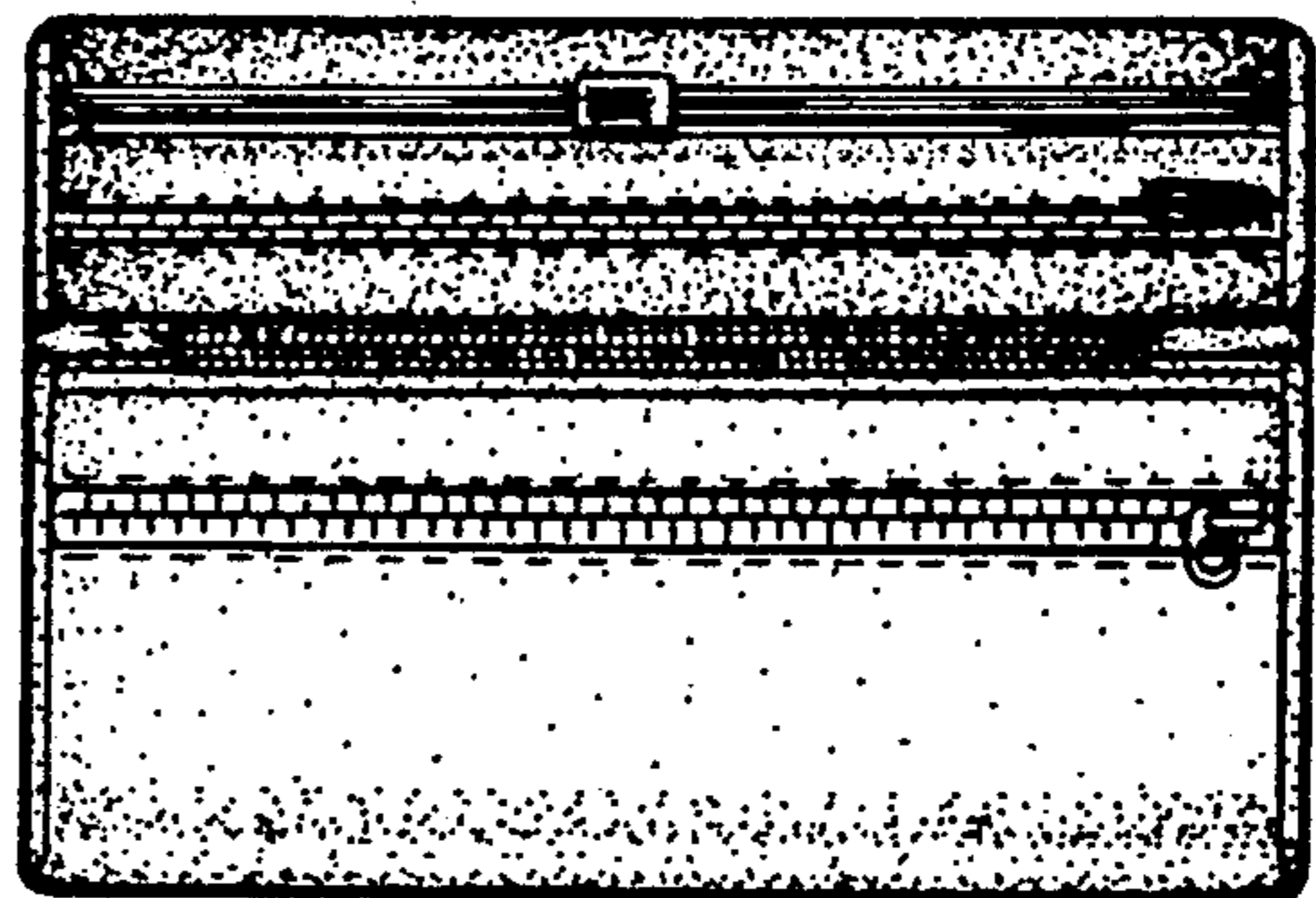


FIG. 10