



US00D338577S

United States Patent [19]

[11] Patent Number: **Des. 338,577**

Vonhausen

[45] Date of Patent: **** Aug. 24, 1993**

[54] MULTIPLE TABLE UNIT

[76] Inventor: **Robert Vonhausen**, Lichtenauer Weg 84, D-6300 Giessen, Fed. Rep. of Germany

[**] Term: **14 Years**

[21] Appl. No.: **914,749**

[22] Filed: **Jul. 20, 1992**

Related U.S. Application Data

[62] Division of Ser. No. 222,734, Jul. 22, 1988.

[30] Foreign Application Priority Data

Jan. 25, 1988 [DE] Fed. Rep. of Germany ... 21MR 609

[52] U.S. Cl. **D6/484; D6/423; D6/430**

[58] Field of Search **D6/480, 482-488, D6/495-499, 422, 423, 419, 420; 108/144, 143, 149; 312/195**

[56] References Cited

U.S. PATENT DOCUMENTS

- D. 132,166 4/1942 Cloutier .
- D. 174,407 4/1955 Anderle .
- D. 239,227 3/1976 Vogt D6/423 X
- D. 278,770 5/1985 Koguma D6/423
- D. 284,532 7/1986 Vogt .
- D. 299,798 2/1989 Sottsas et al. D6/484
- D. 312,928 12/1990 Scheffers .
- D. 320,709 10/1991 Lotsch et al. D6/484 X
- 4,555,150 11/1985 Turnbull 312/195 X
- 4,612,863 9/1986 Von hausen et al. .
- 4,974,913 12/1990 Vogt et al. 312/195

OTHER PUBLICATIONS

- Krueger/GSA Data Bord 920, p. 9.
- Domus*, Sep. 1987, p. 102, table at bottom, Design Lib.
- Domus*, Nov. 1978, p. 35, table at top right.
- Inmac*, Jun. 1987, p. 13, table to top left.
- Inmac*, ©1984, p. 11, table at right.
- Krueger/GSA Unit Assemblies, Oct. 21, 1985, p. 12, arrangement at top.
- INMAC Catalog, Jun. 1987, p. 11, arrangement at top.

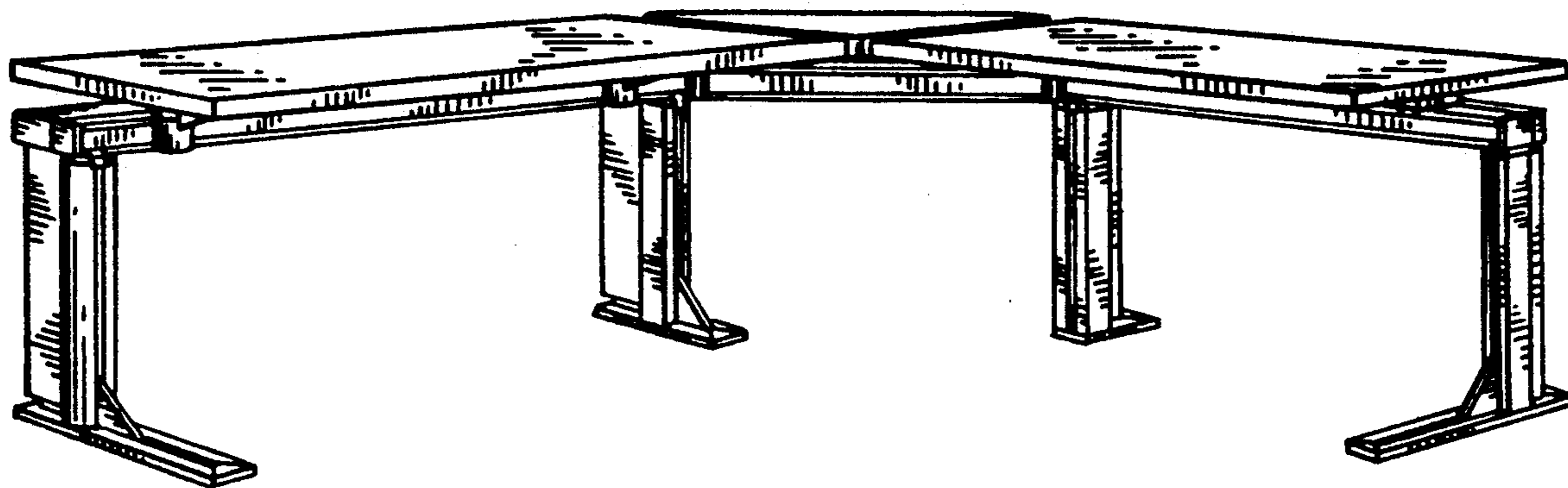
Primary Examiner—Alan P. Douglas
Assistant Examiner—J. E. Seeger
Attorney, Agent, or Firm—Jones, Tullar & Cooper

[57] CLAIM

The ornamental design for a multiple table unit, as shown and described.

DESCRIPTION

FIG. 1 is a front perspective view of a multiple table unit, showing my new design;
 FIG. 2 is a right-hand end view thereof;
 FIG. 3 is a right rear view thereof;
 FIG. 4 is a rear view thereof;
 FIG. 5 is a rear perspective view of a multiple table unit, showing a second embodiment of my new design;
 FIG. 6 is a left-hand end view thereof;
 FIG. 7 is a right rear view thereof;
 FIG. 8 is a rear perspective view of a table support for the multiple table arrangement of FIG. 1;
 FIG. 9 is an enlarged rear perspective view of a portion of the support of FIG. 10;
 FIG. 10 is an enlarged front perspective view of the support of FIG. 9; and,
 FIG. 11 is an enlarged top plan view of the support of FIG. 12.



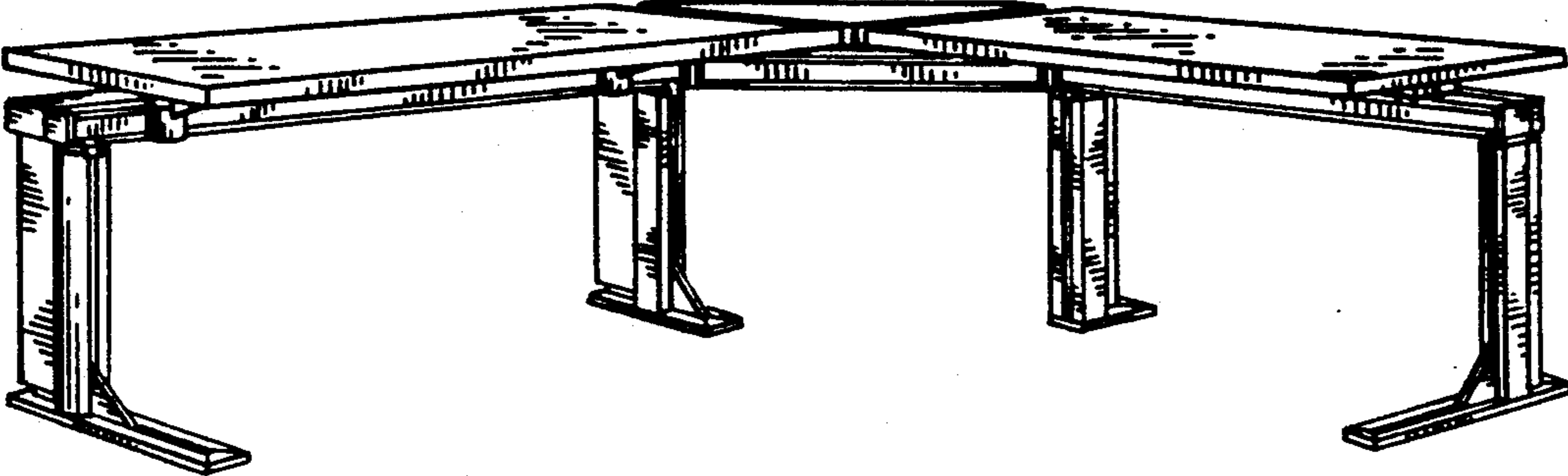


FIG. 1

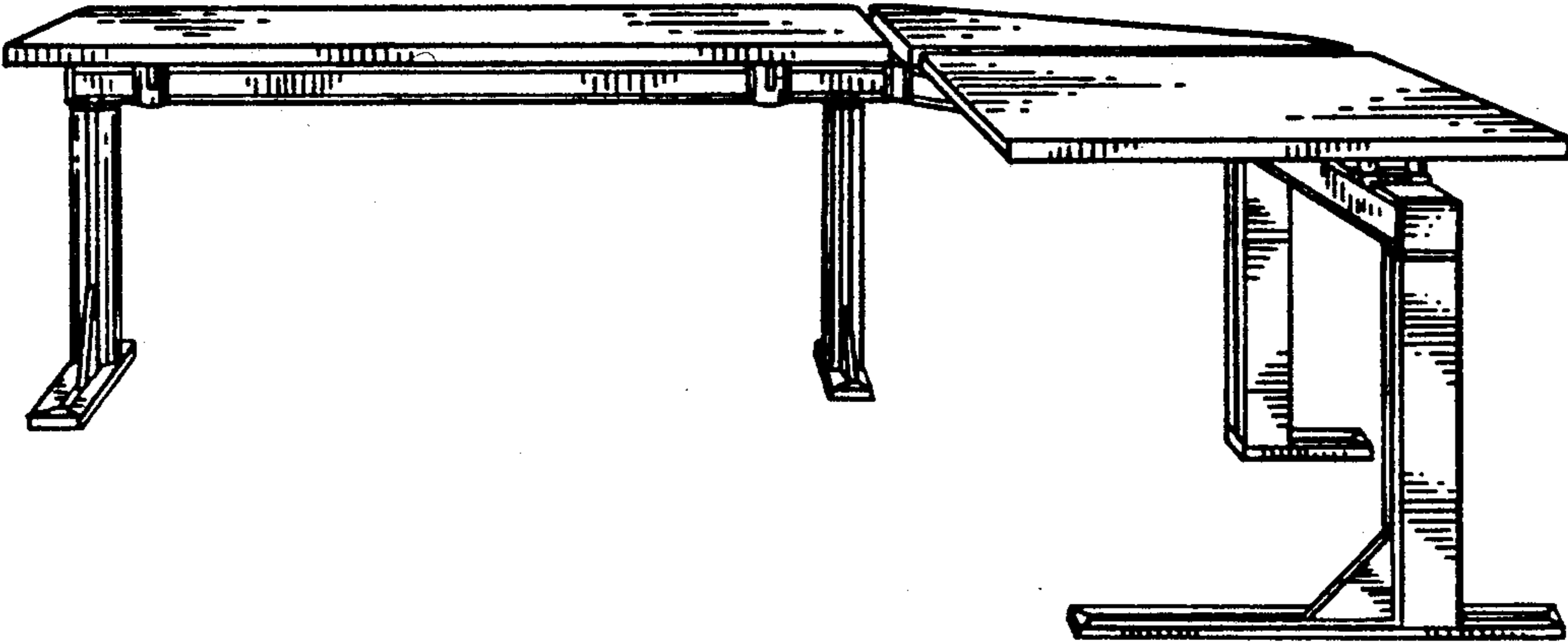


FIG. 2

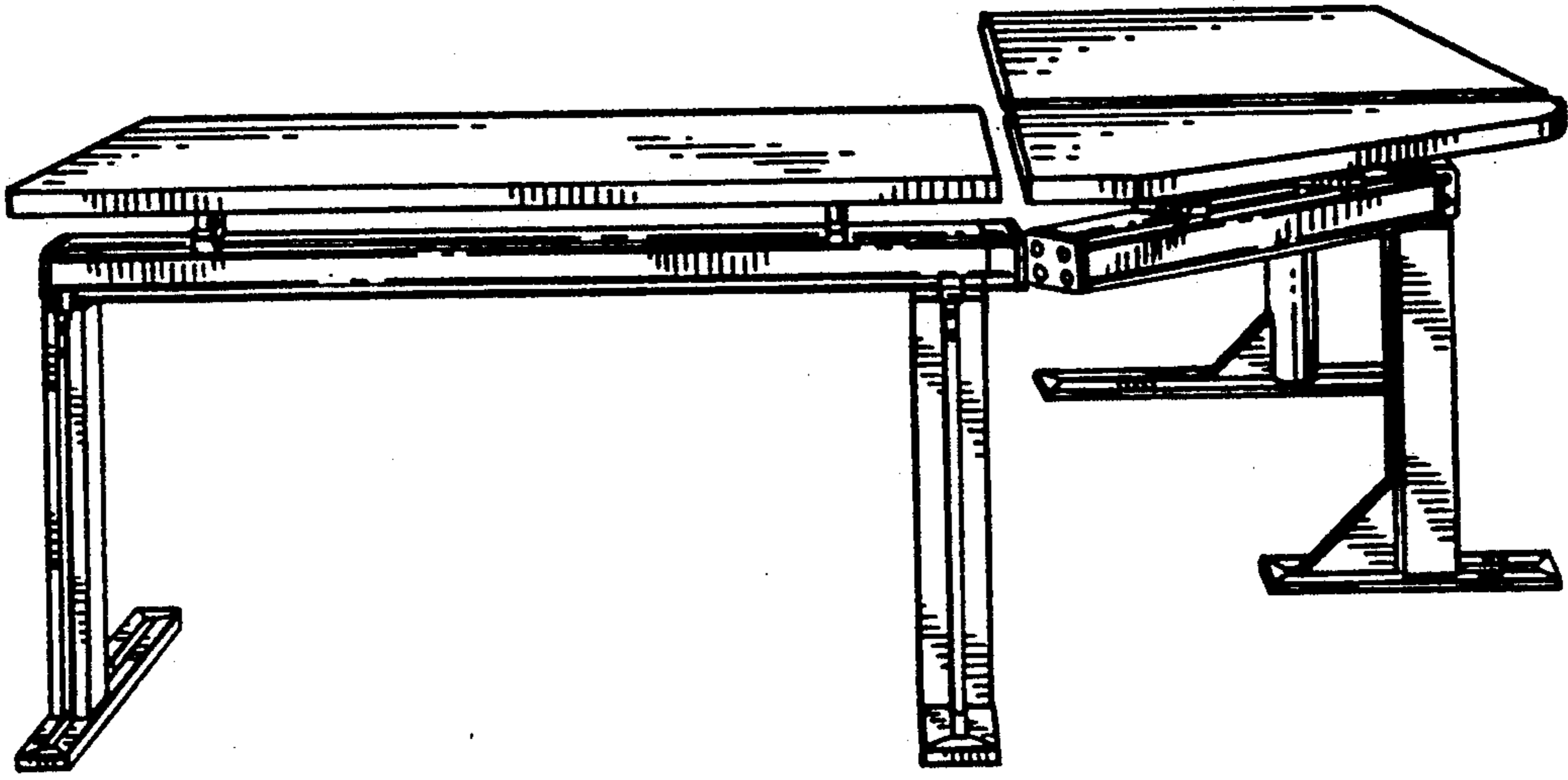


FIG. 3

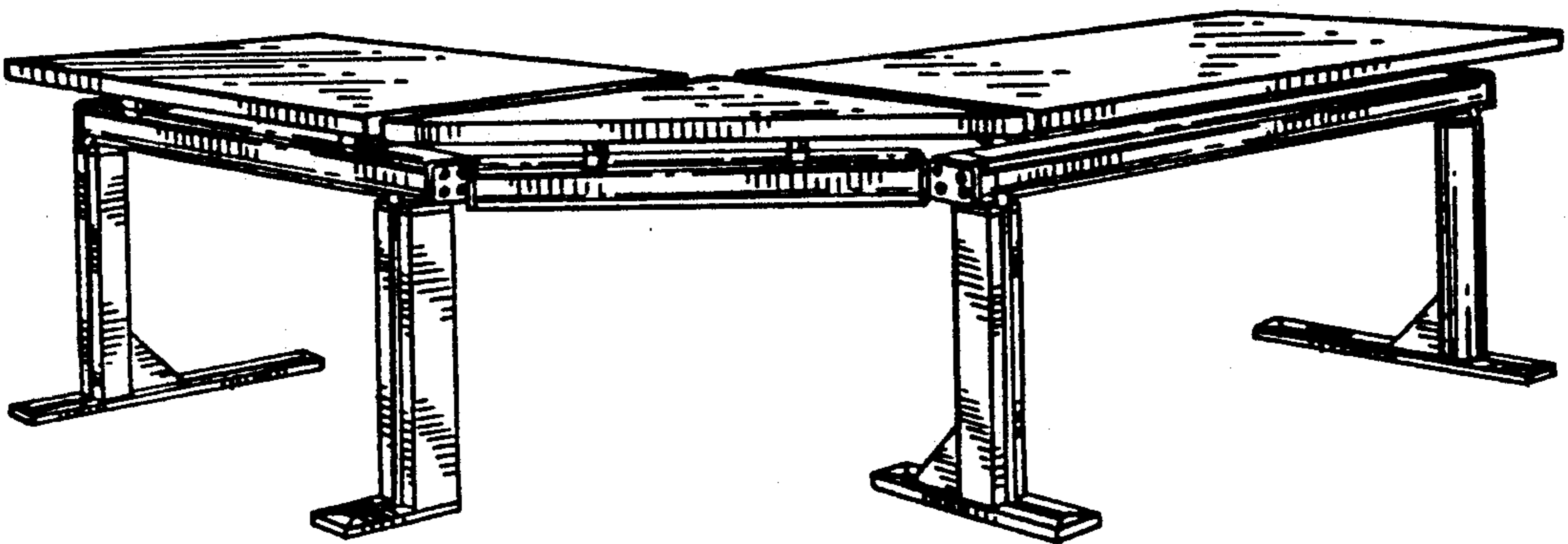


FIG. 4

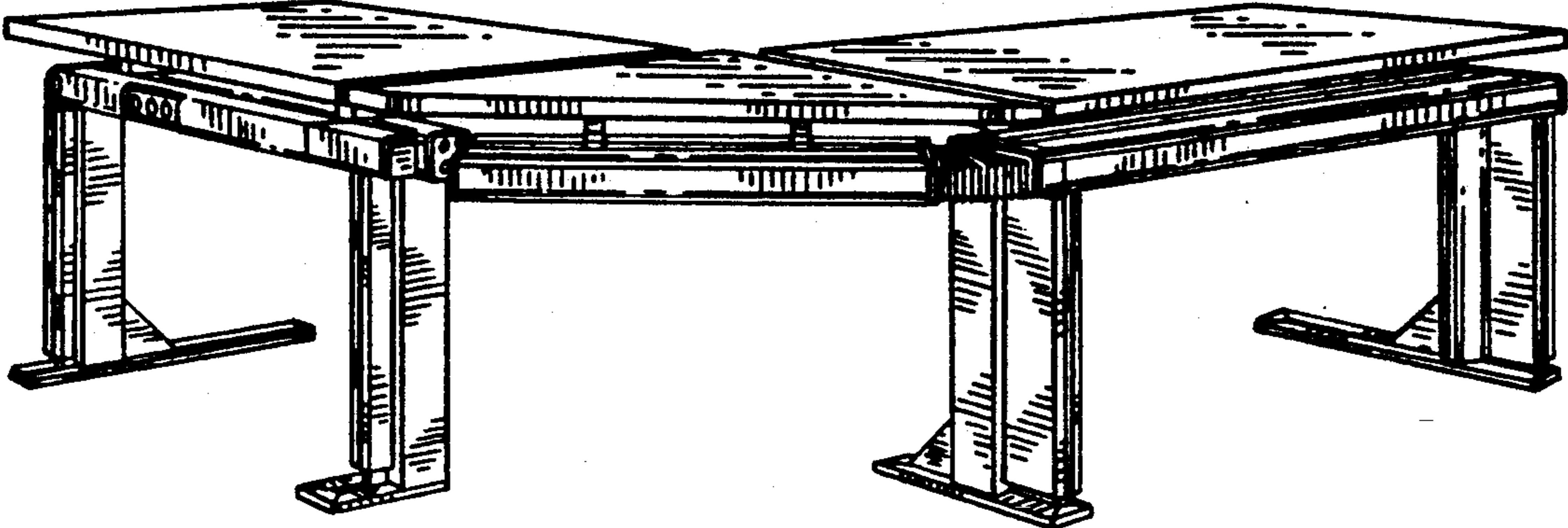


FIG. 5

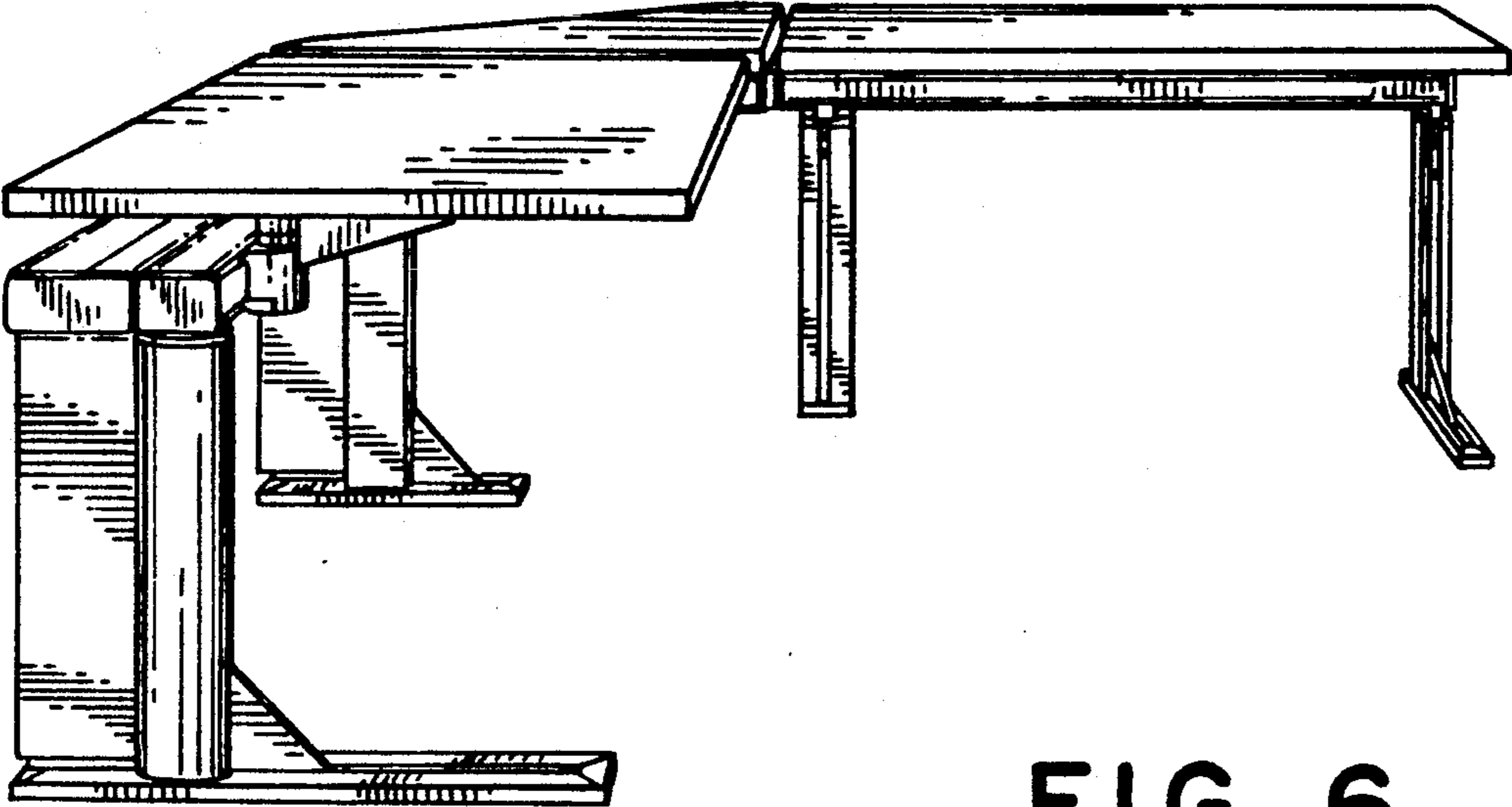


FIG. 6

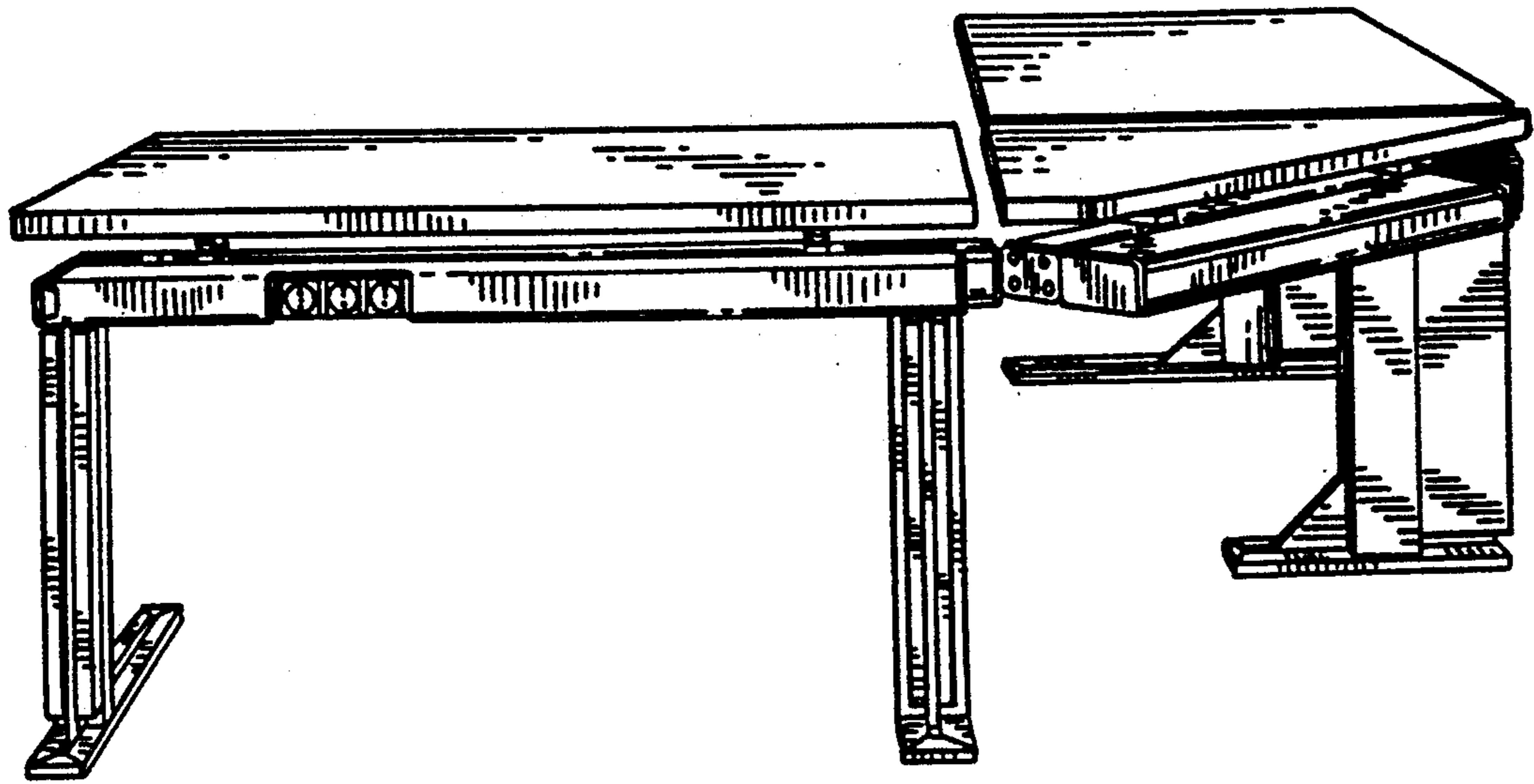


FIG. 7

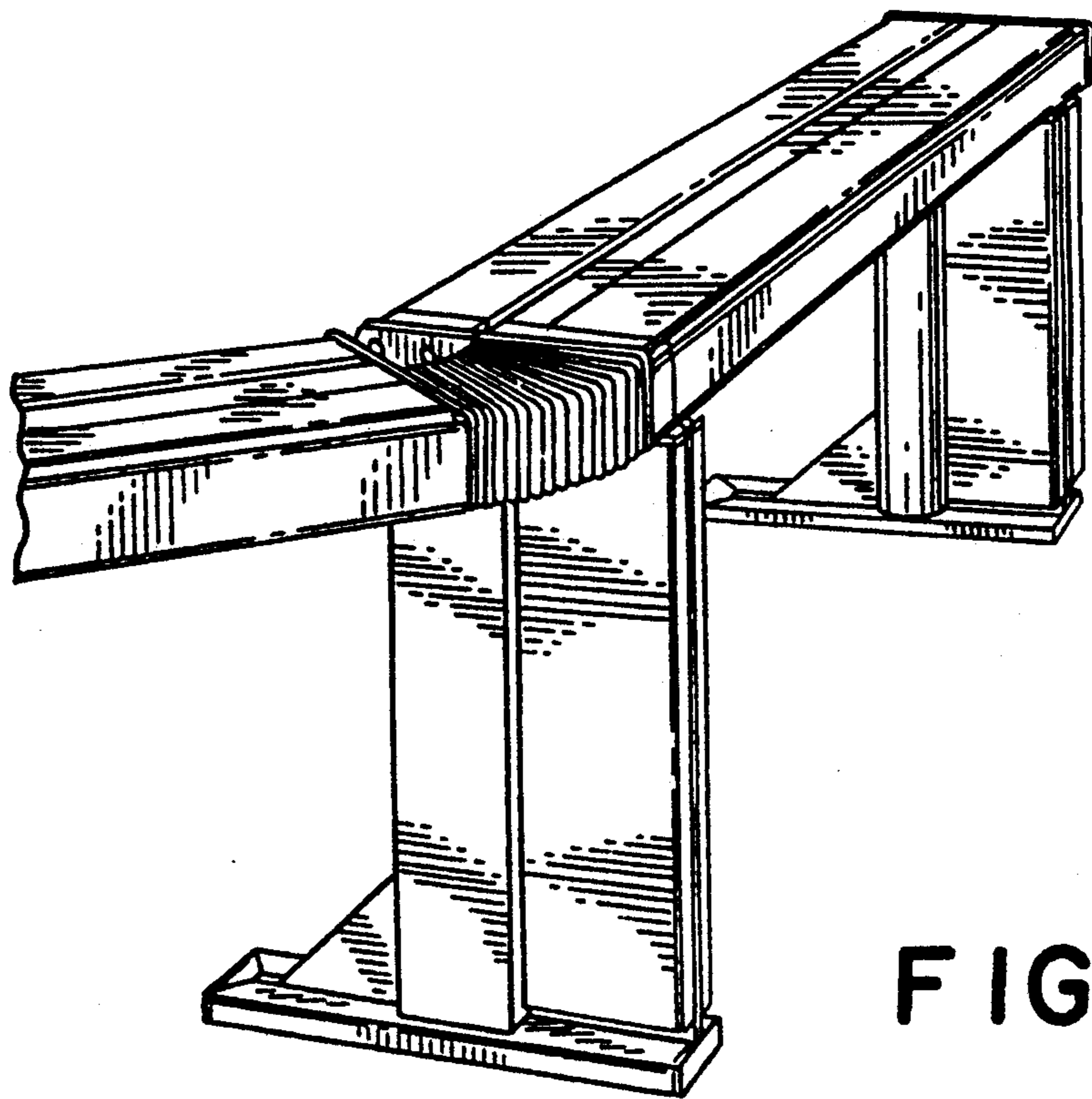


FIG. 8

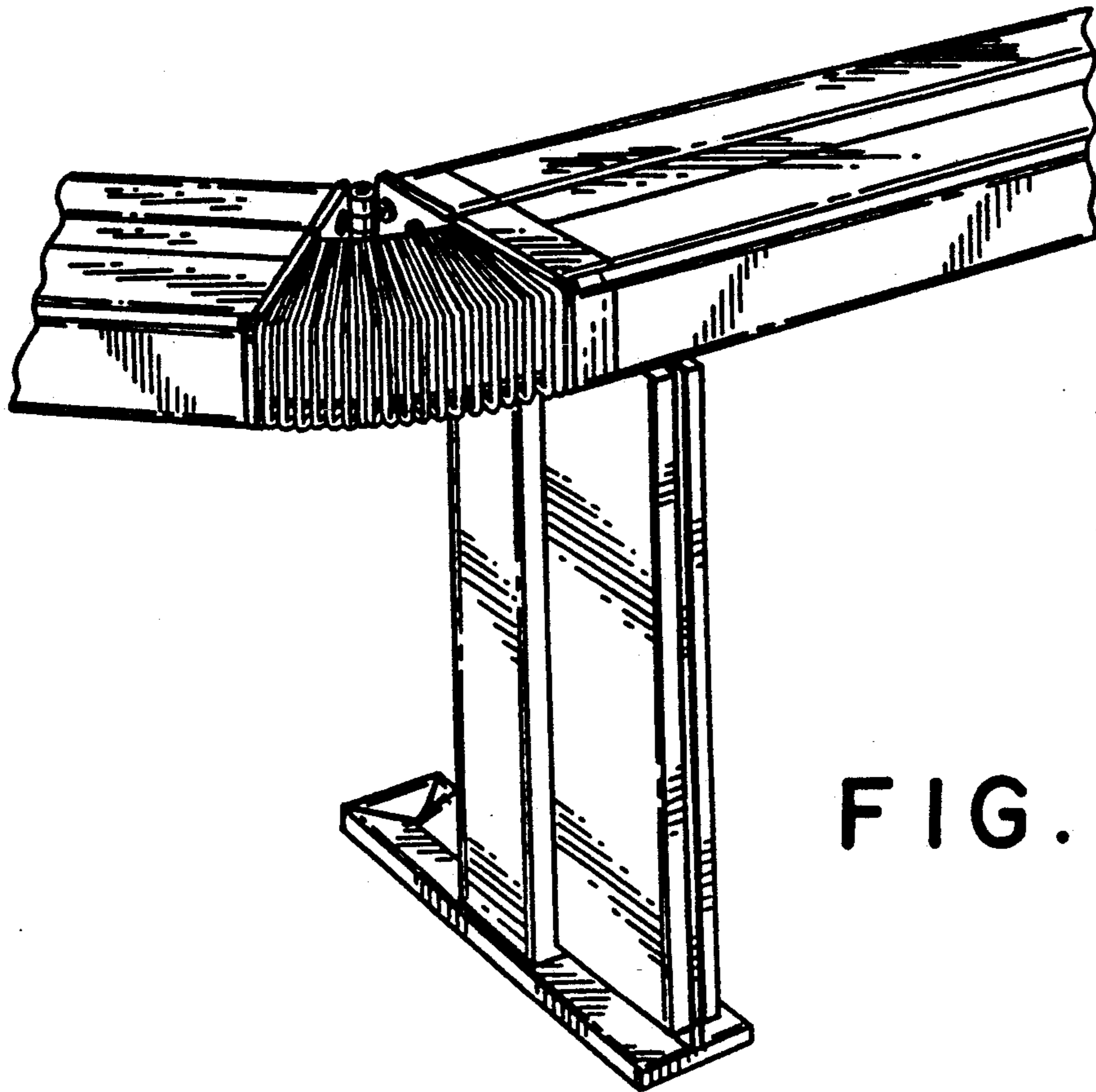


FIG. 9

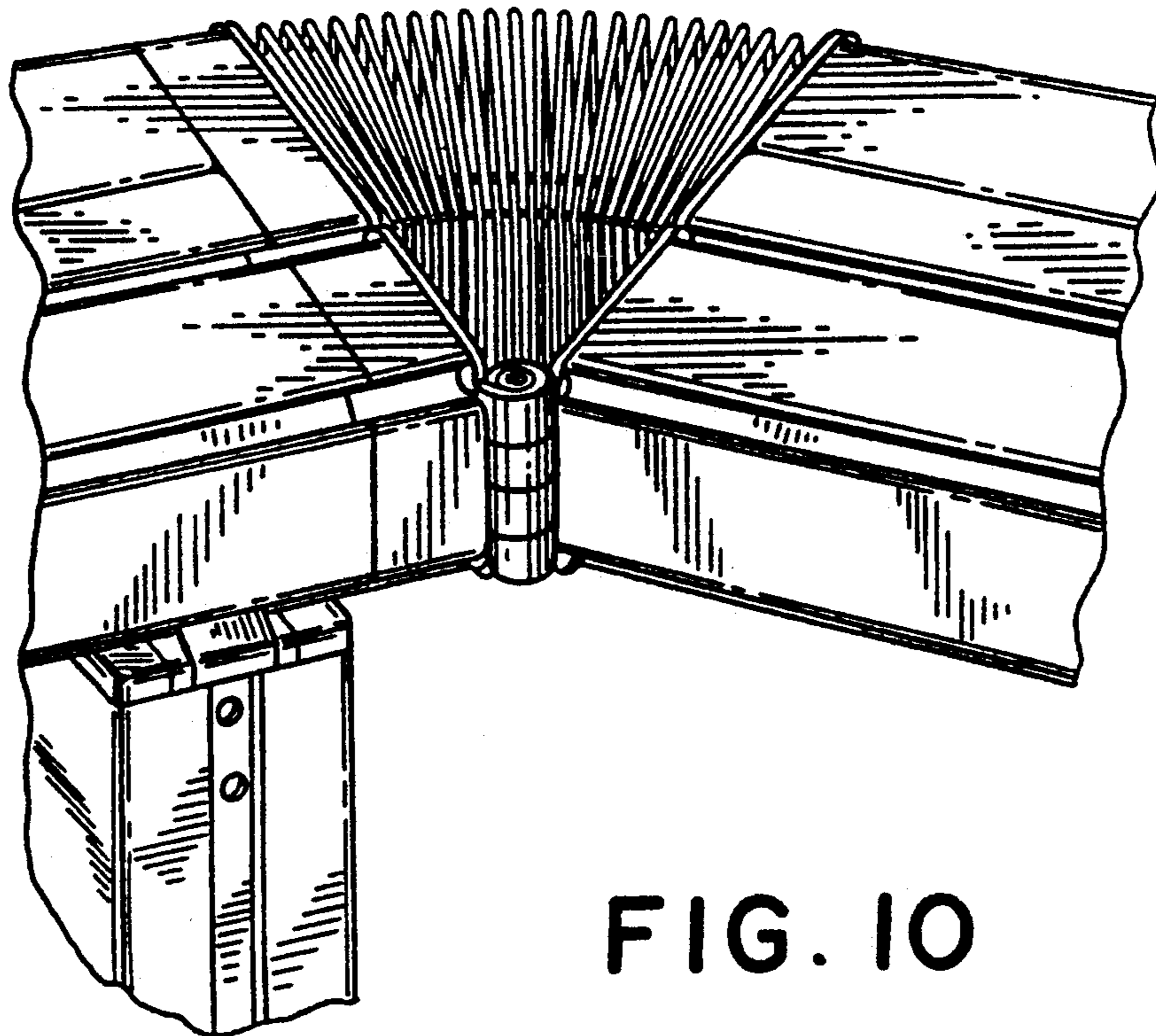


FIG. 10

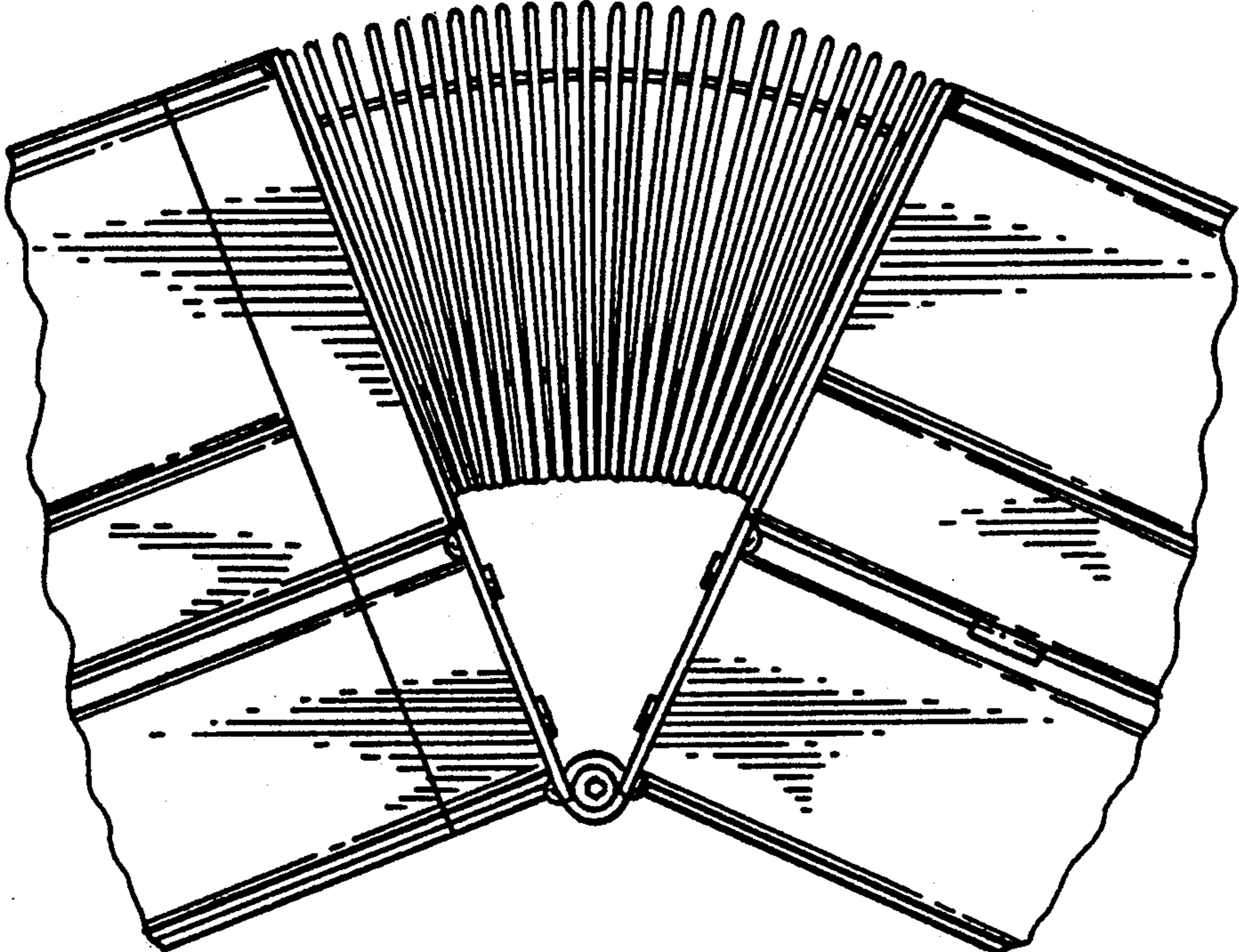


FIG. II