



US00D338566S

United States Patent [19]

[11] Patent Number: **Des. 338,566**

George et al.

[45] Date of Patent: **** Aug. 24, 1993**

[54] **MOBILE ARMCHAIR**

[75] Inventors: **Donald A. George; Steven R. Pulskamp**, both of Monroe, Mich.

[73] Assignee: **La-Z-Boy Chair Co.**, Monroe, Mich.

[**] Term: **14 Years**

[21] Appl. No.: **693,407**

[22] Filed: **Apr. 29, 1991**

[52] U.S. Cl. **D6/366**

[58] Field of Search **D6/333, 334, 335, 339, D6/344, 366, 368, 373, 379; 297/192, 229, 231, 411, 412, 413, 414, 415, 416, 417**

[56] **References Cited**

U.S. PATENT DOCUMENTS

- D. 253,206 10/1979 Buhk D6/366
- D. 259,750 7/1981 Buhk D6/366
- D. 313,703 1/1991 Moschini et al. D6/379
- 4,902,072 2/1990 Chancellor, Jr. 297/417

OTHER PUBLICATIONS

- La-Z-Boy Sales Literature, Form 90002, 90003, 90005, 90006, May 1990.
- La-Z-Boy Sales Literature, Style 92027, 92066, 92067, 92120, 92217, Jul. 1990.
- La-Z-Boy Sales Literature, Style 92006, 92056, 92113, 92123, 92133, no date.

Design, Aug. 1982, p. 16, "Royal C Chair", bottom left corner of page.

Interiors, May 1990, circle p. 94, "Revival Chair," center of page.

Primary Examiner—Alan P. Douglas

Assistant Examiner—Monica A. Hannon

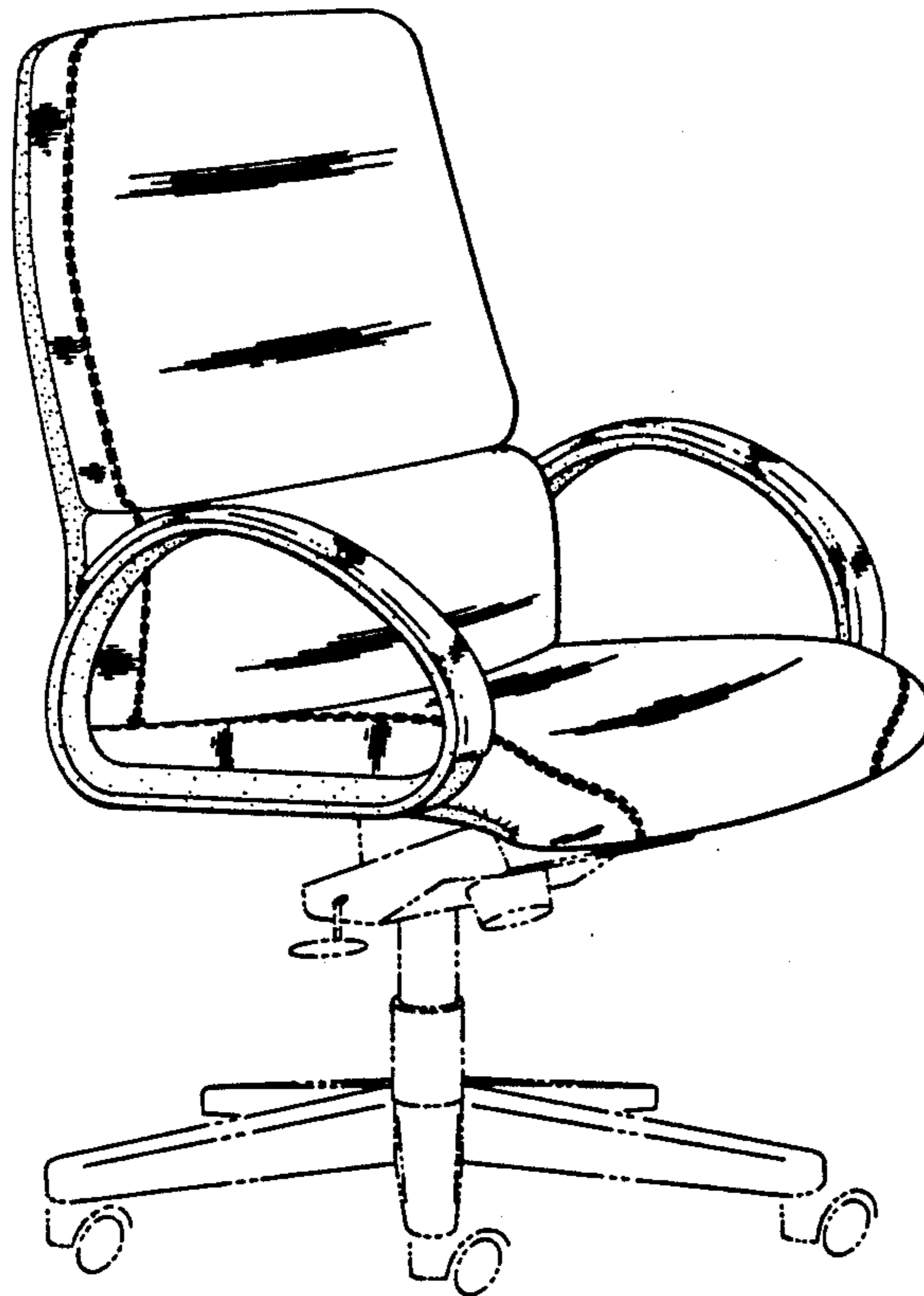
Attorney, Agent, or Firm—Harness, Dickey & Pierce

[57] **CLAIM**

The ornamental design for a mobile armchair, as shown and described.

DESCRIPTION

FIG. 1 is a front perspective view of the front of a mobile armchair showing our new design;
 FIG. 2 is a front elevational view;
 FIG. 3 is a top plan view;
 FIG. 4 is a side elevational view, the opposite side being a mirror image thereof;
 FIG. 5 is a rear elevational view;
 FIG. 6 is a front perspective view of a mobile armchair showing a second embodiment of our design;
 FIG. 7 is a front elevational view of the mobile armchair of FIG. 6;
 FIG. 8 is a top plan view of the mobile armchair of FIG. 6;
 FIG. 9 is a side elevational view, the opposite side being a mirror image thereof of the mobile armchair of FIG. 6; and,
 FIG. 10 is a rear elevational view of the mobile armchair of FIG. 6.



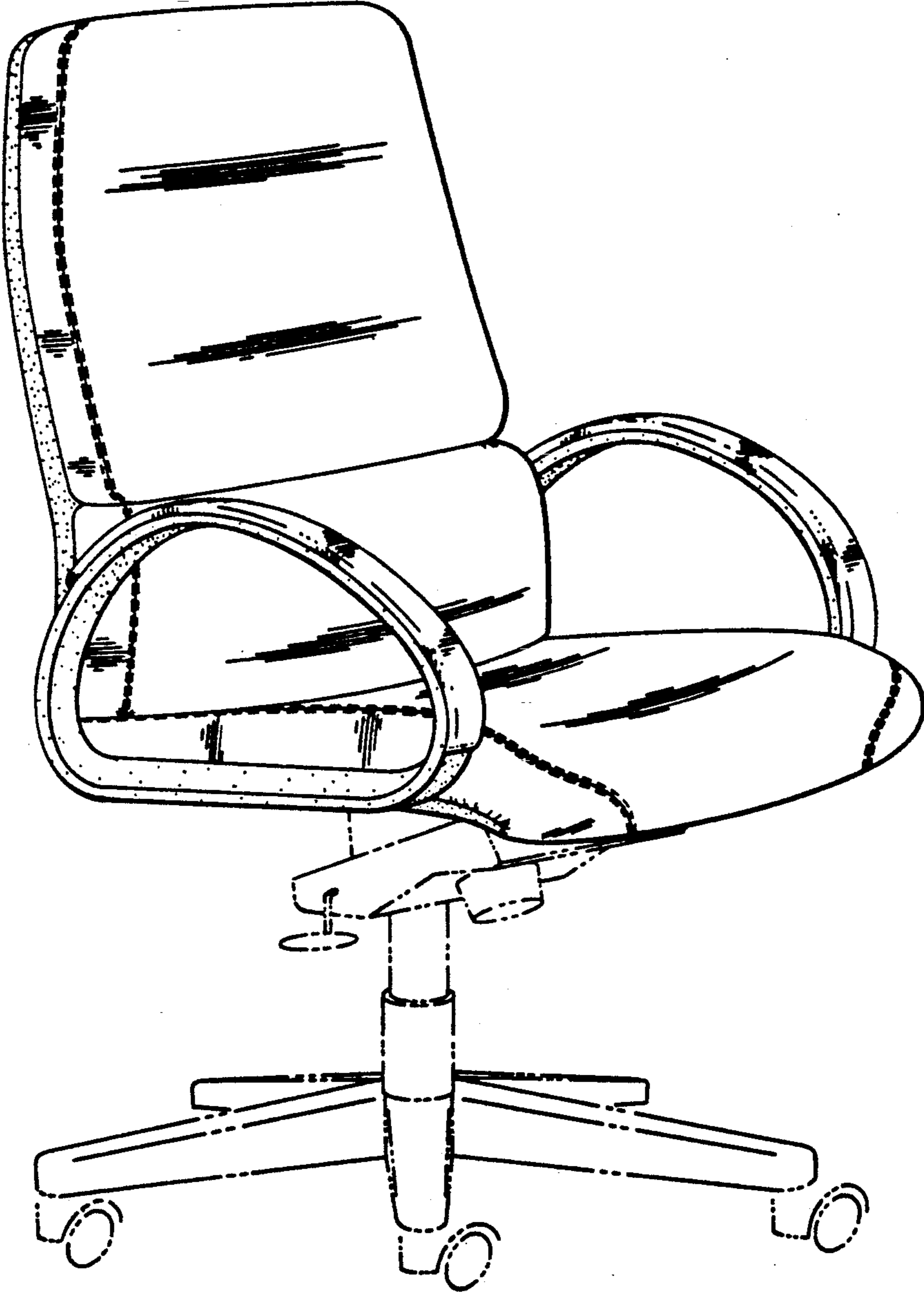


FIG 1

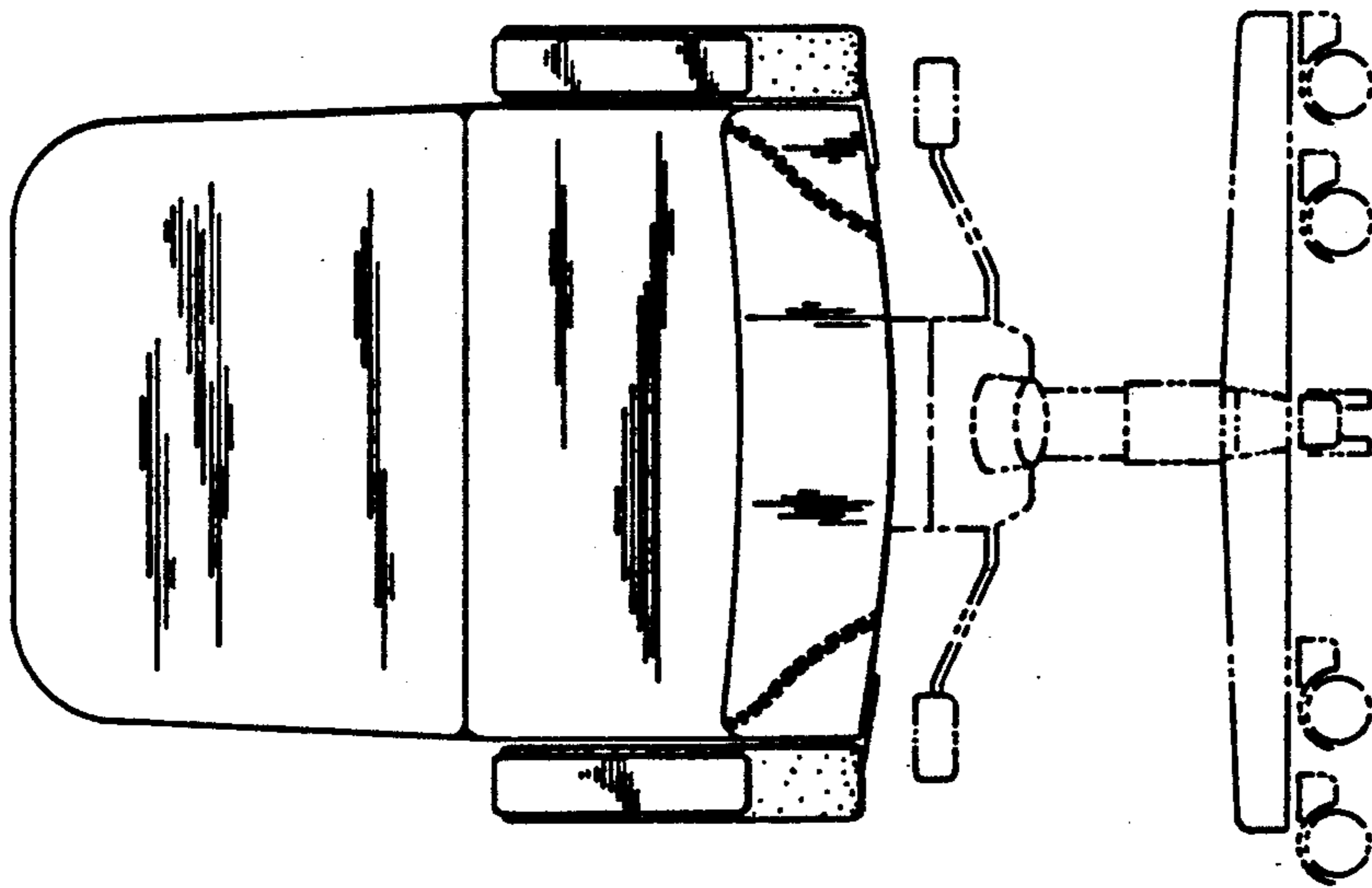


FIG 2

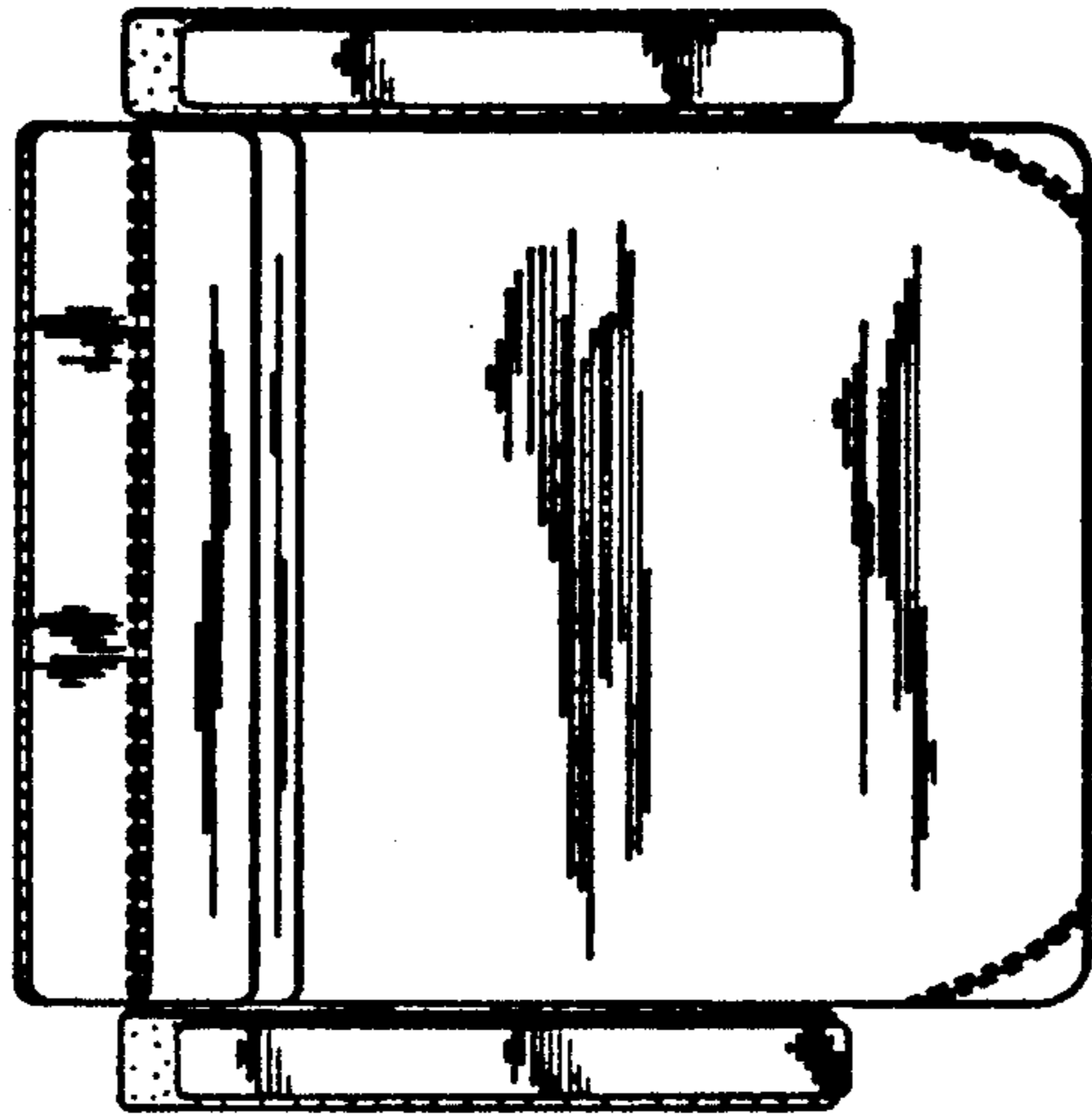


FIG 3

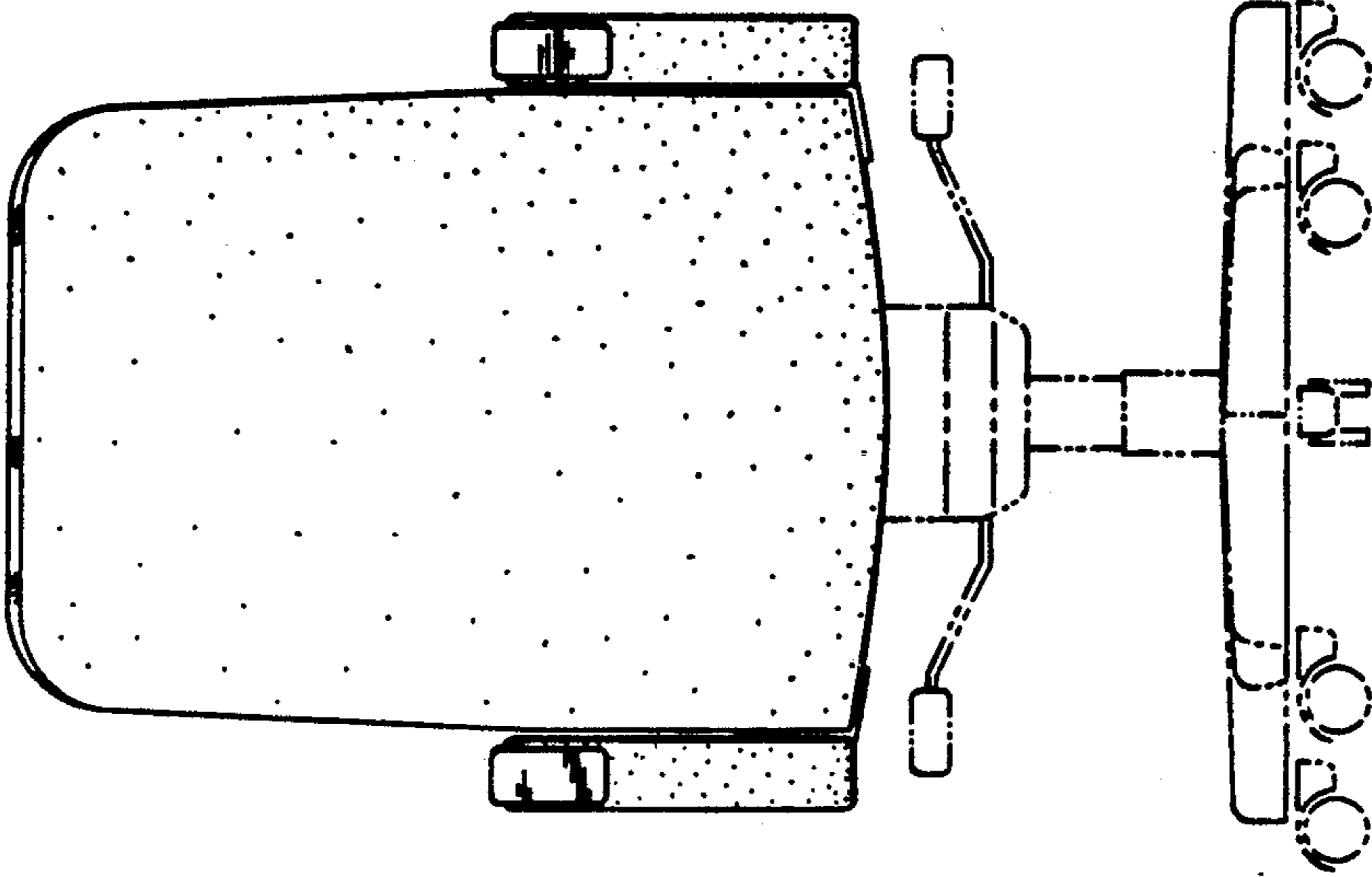


FIG 5

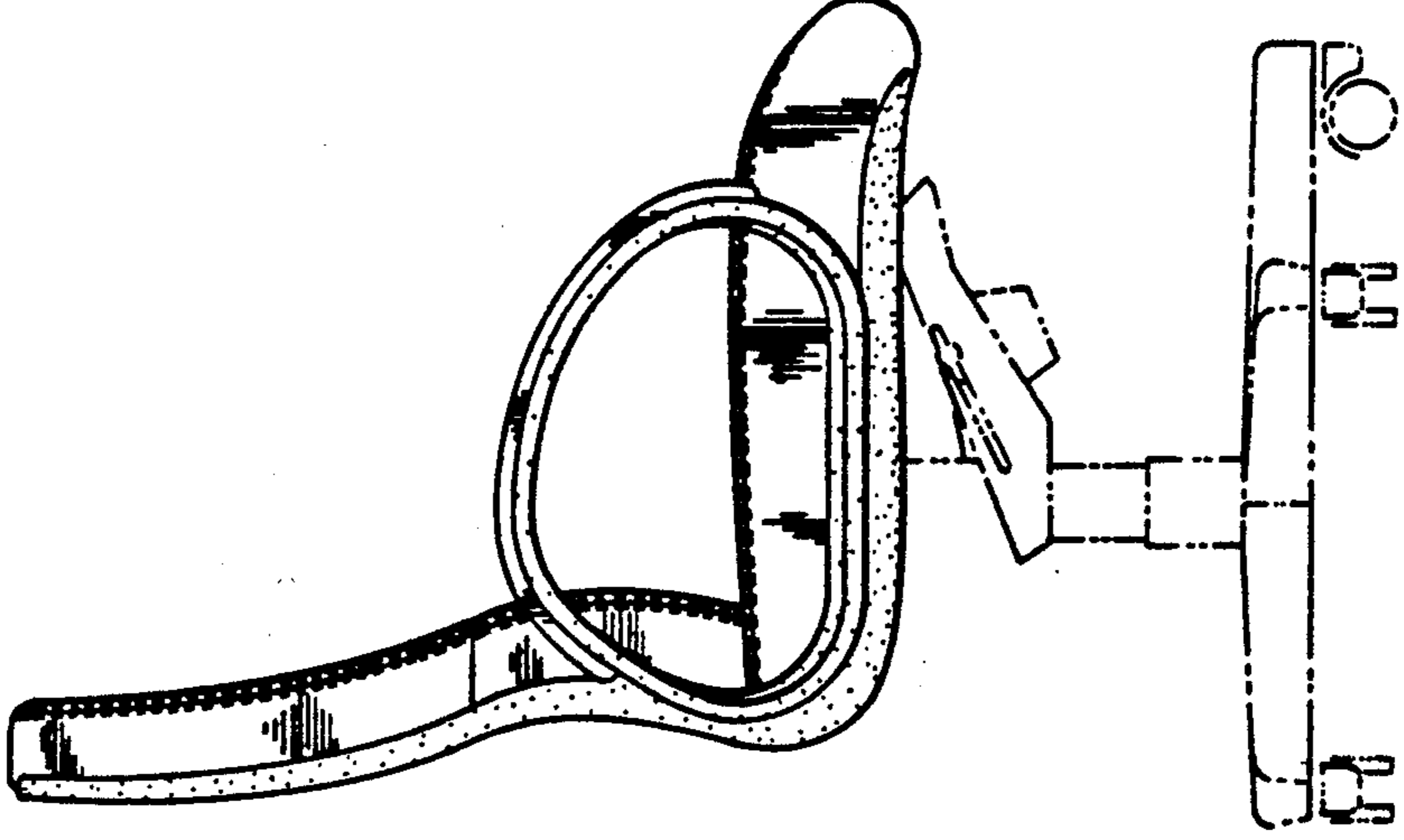


FIG 4

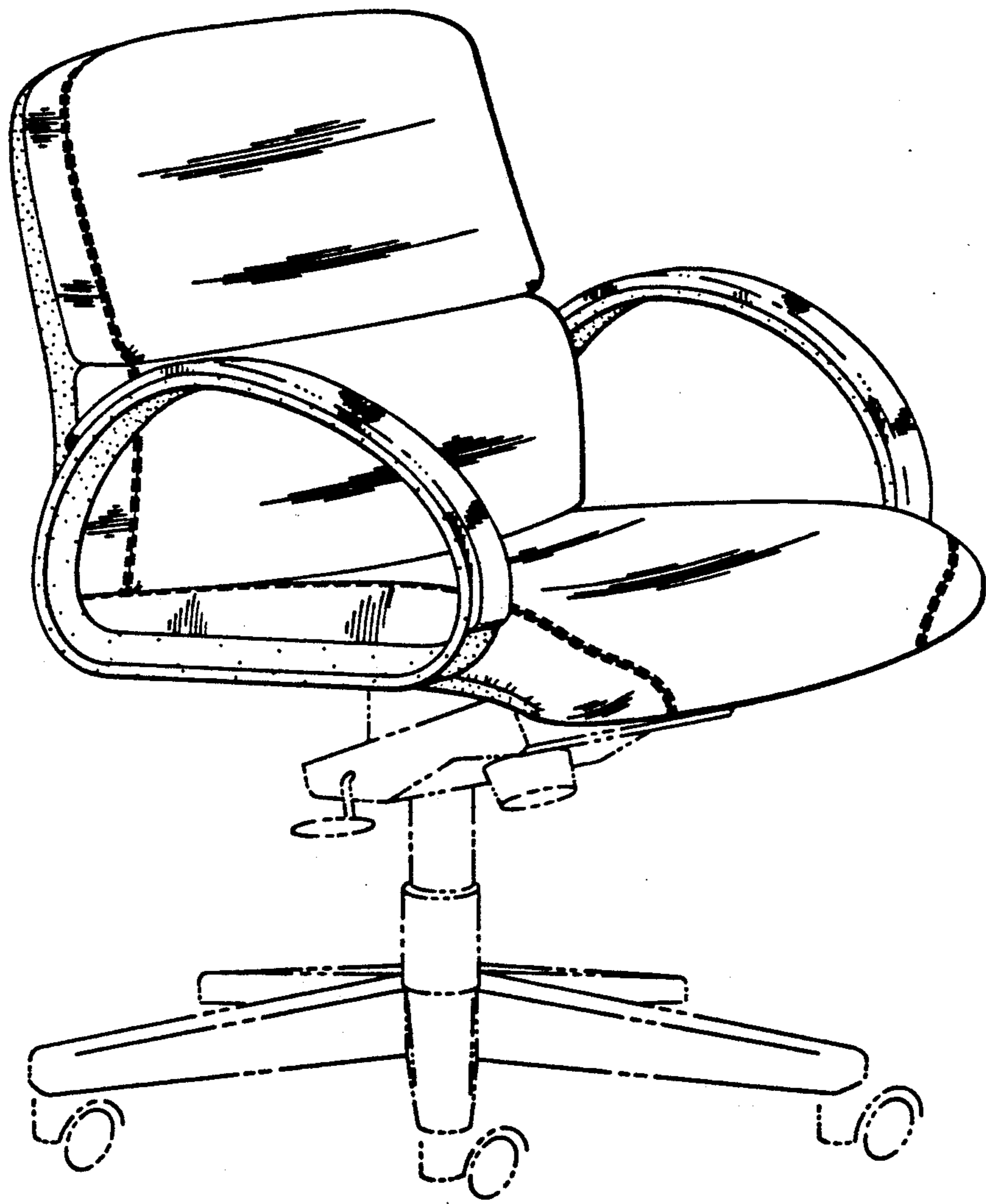


FIG 6

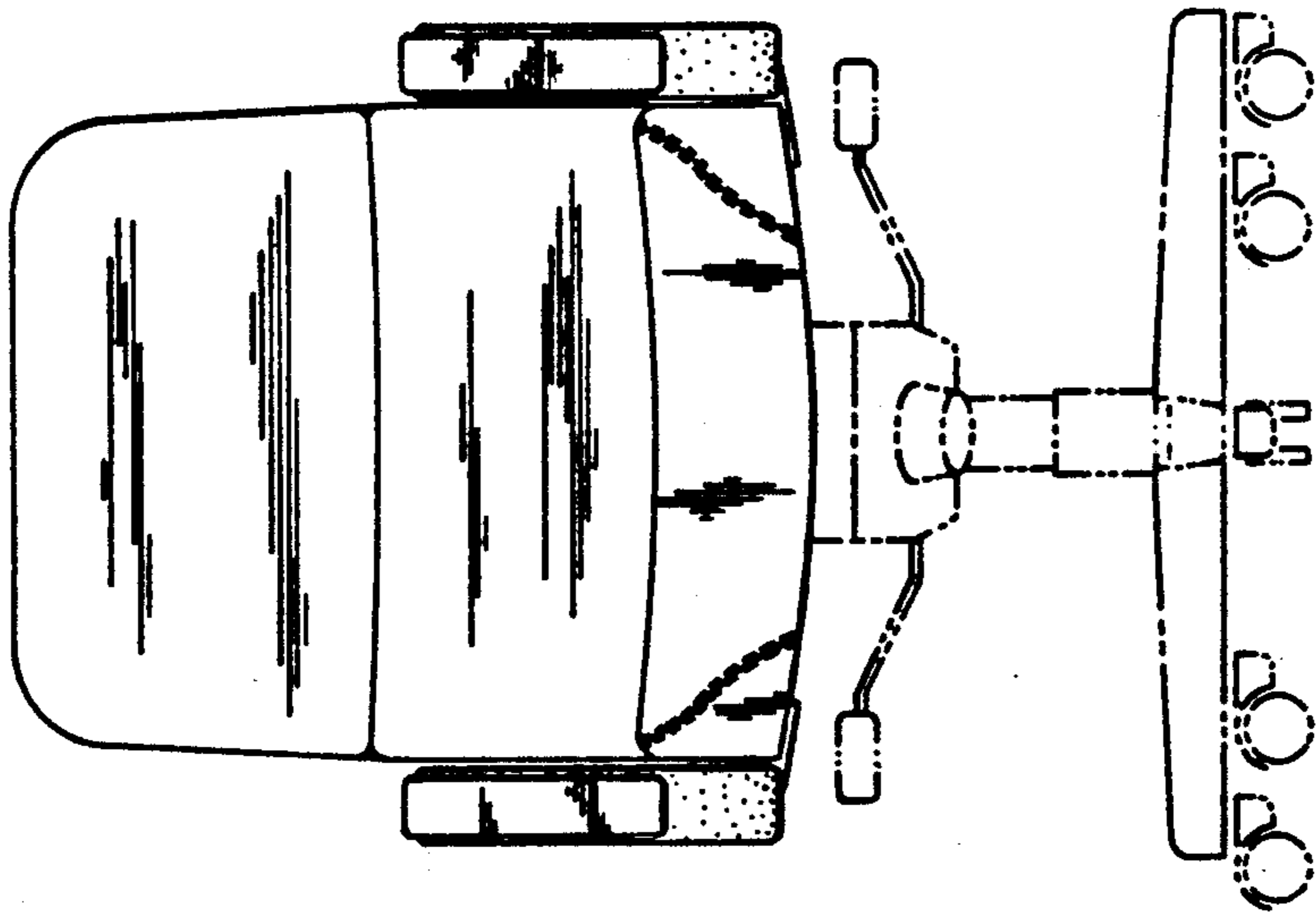


FIG 7

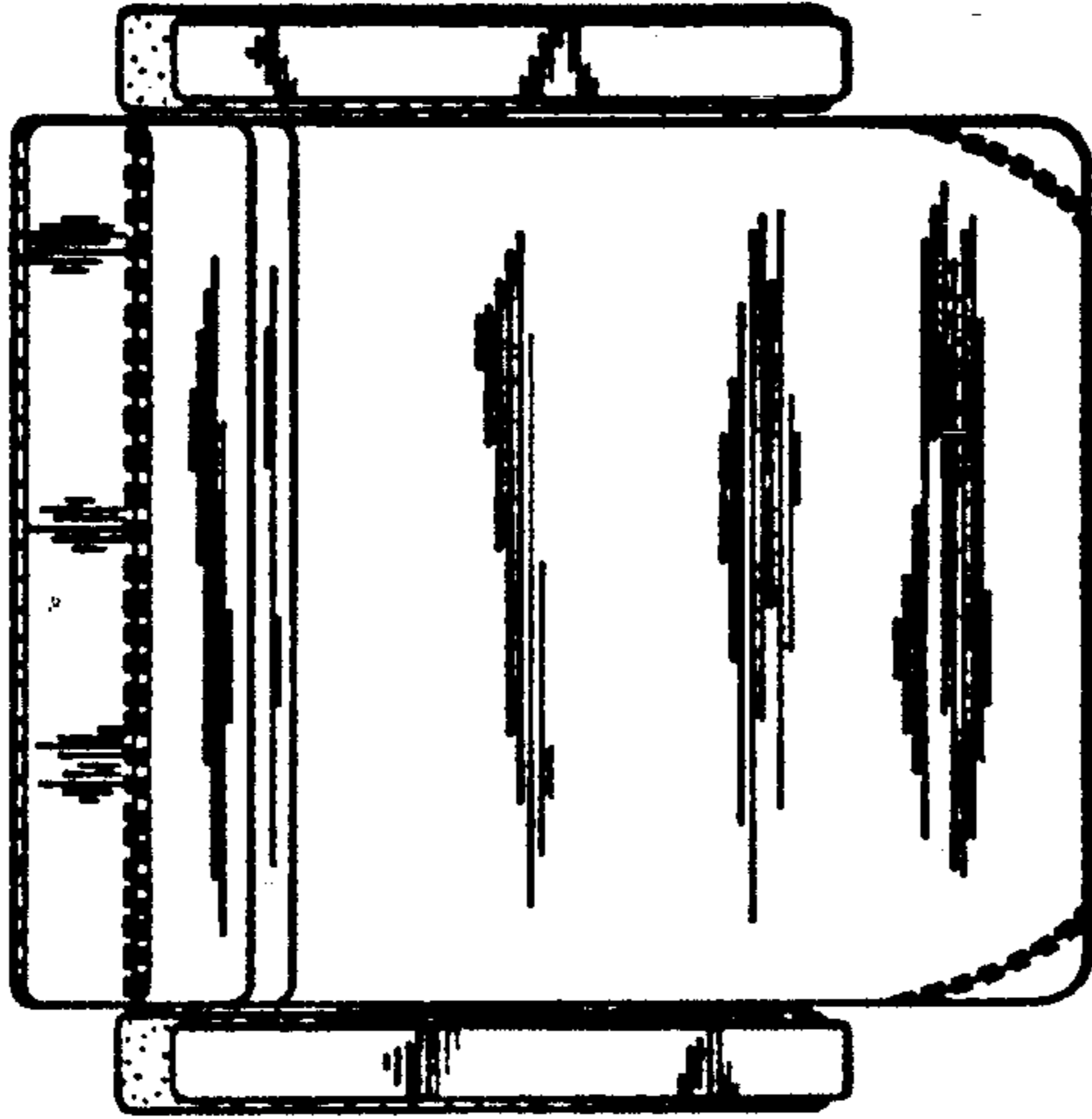


FIG 8

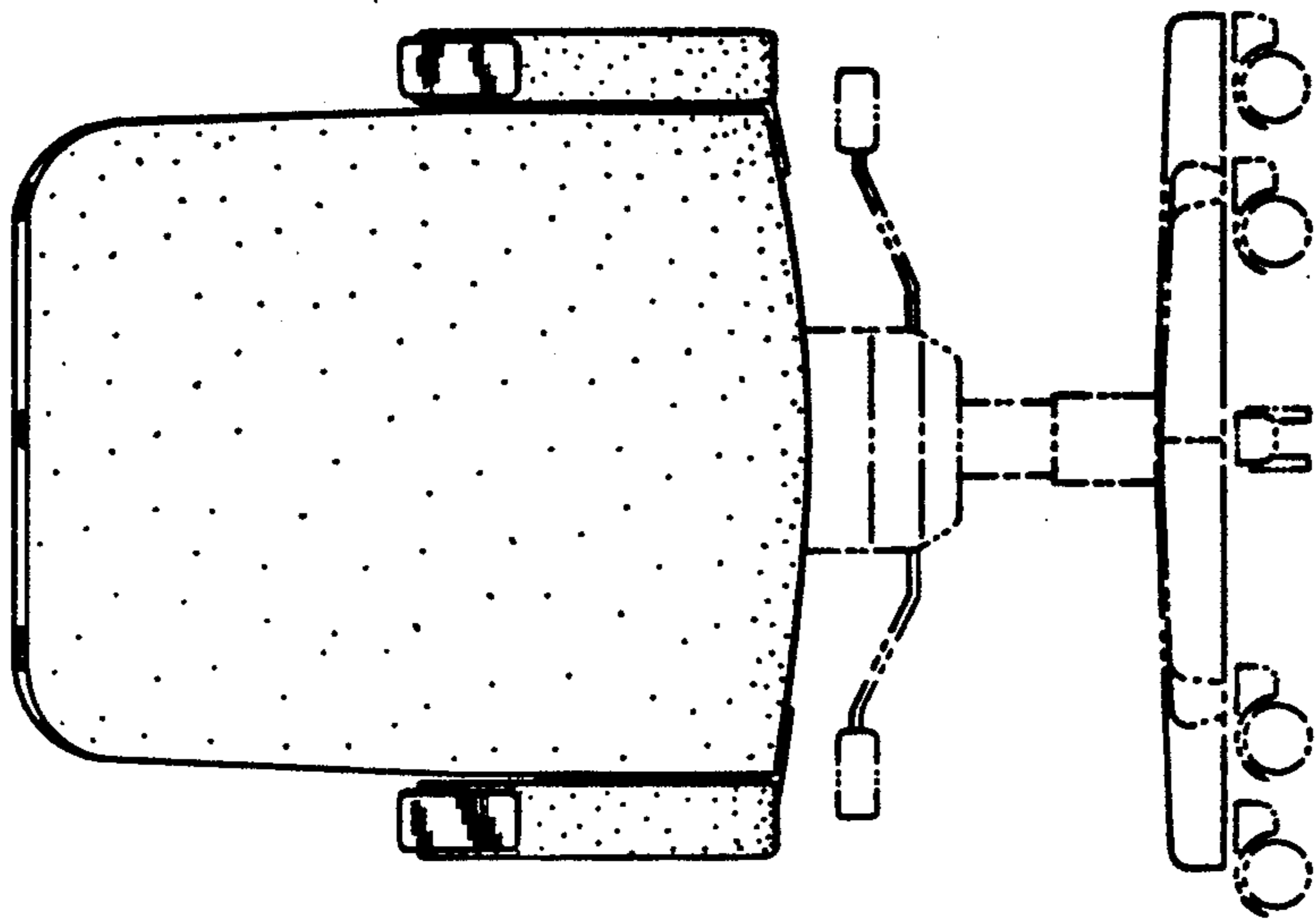


FIG 10

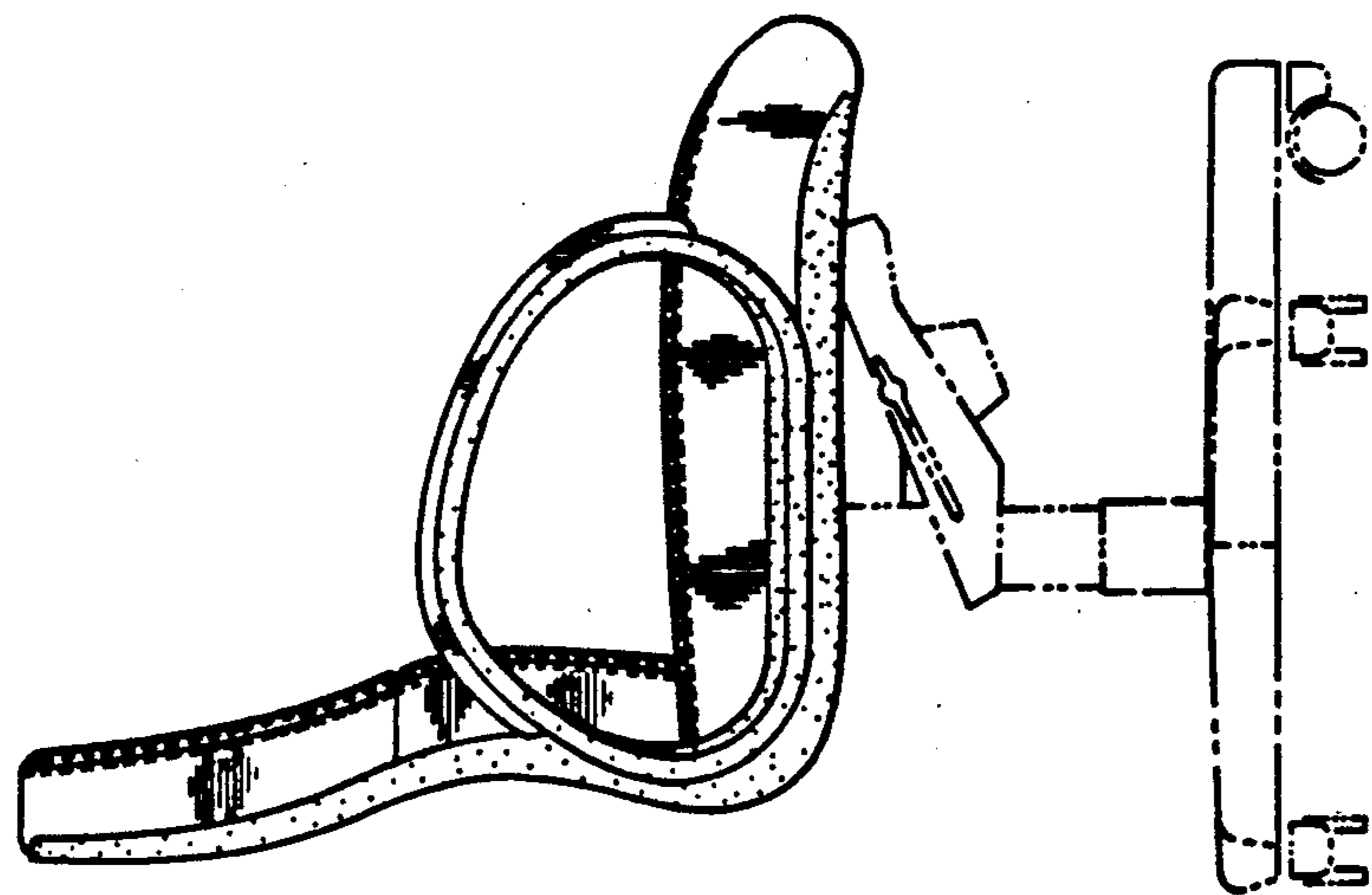


FIG 9