



US00D338563S

United States Patent [19]

[11] Patent Number: **Des. 338,563**

Chiang

[45] Date of Patent: **** Aug. 24, 1993**

[54] BENCH

1,881,454 10/1932 Friesner 297/282 X
2,311,482 2/1943 Smith 297/282 X

[76] Inventor: **Dick Chiang, 34, Alley 21, Lane 177, Da-Sing St., Taichung, Taiwan**

Primary Examiner—Alan P. Douglas
Assistant Examiner—Monica A. Hannon
Attorney, Agent, or Firm—Browdy and Neimark

[**] Term: **14 Years**

[21] Appl. No.: **618,326**

[57] **CLAIM**

The ornamental design for a bench, as shown and described.

[22] Filed: **Nov. 26, 1990**

[52] U.S. Cl. **D6/344**

[58] Field of Search **D6/344, 370; 297/273, 297/282**

DESCRIPTION

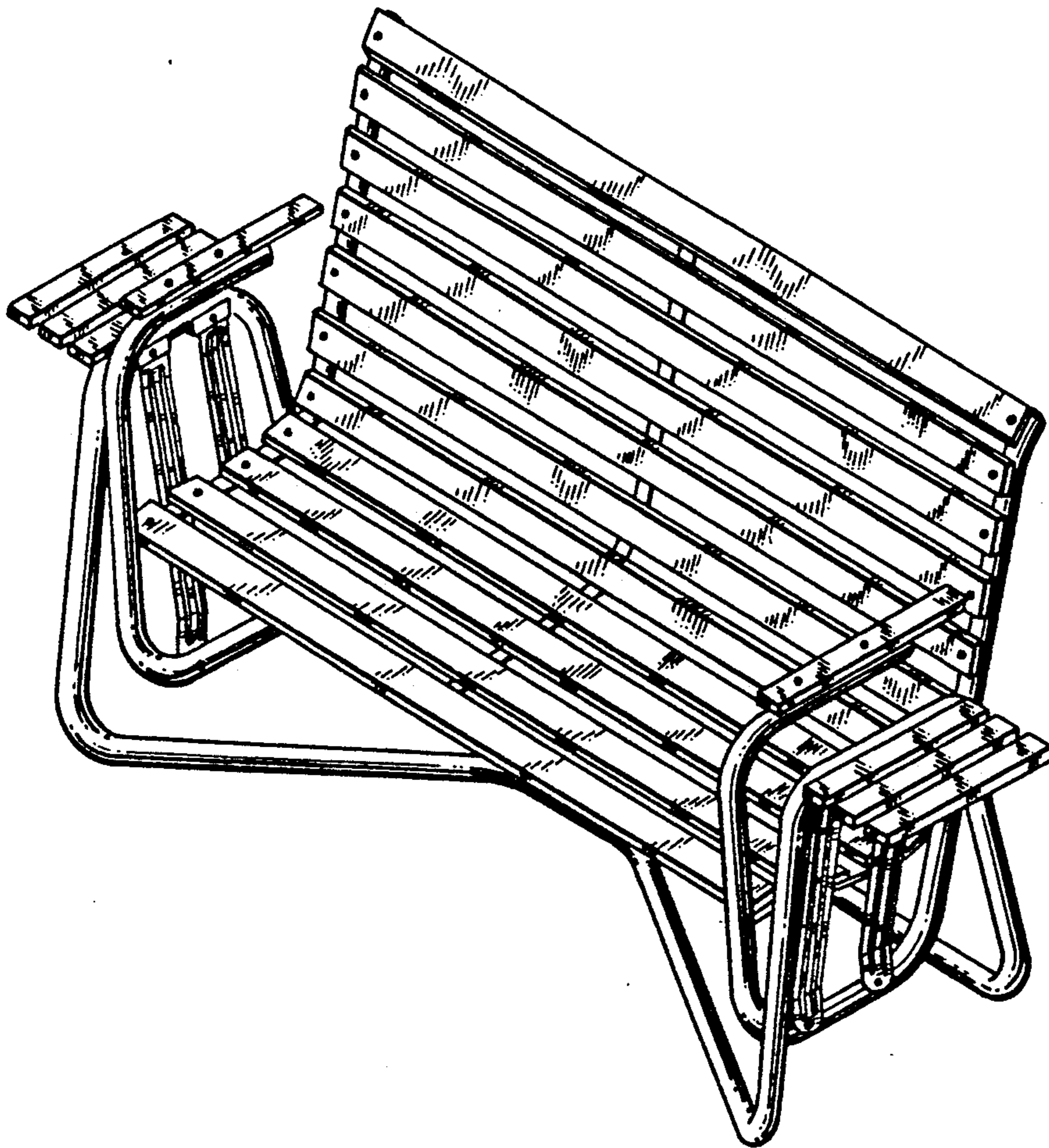
FIG. 1 is a front perspective view of a bench showing my new design;
FIG. 2 is a front elevational view thereof;
FIG. 3 is a rear elevational view thereof;
FIG. 4 is a left side elevational view thereof;
FIG. 5 is a right side elevational view thereof;
FIG. 6 is a top plan view thereof; and,
FIG. 7 is a bottom plan view thereof.

[56]

References Cited

U.S. PATENT DOCUMENTS

D. 290,911	7/1987	Pomeroy et al.	D6/370 X
D. 325,823	5/1992	Pomeroy et al.	D6/344 X
D. 327,584	7/1992	Braxton, III	D6/370 X
D. 328,197	7/1992	Braxton, III	D6/370 X



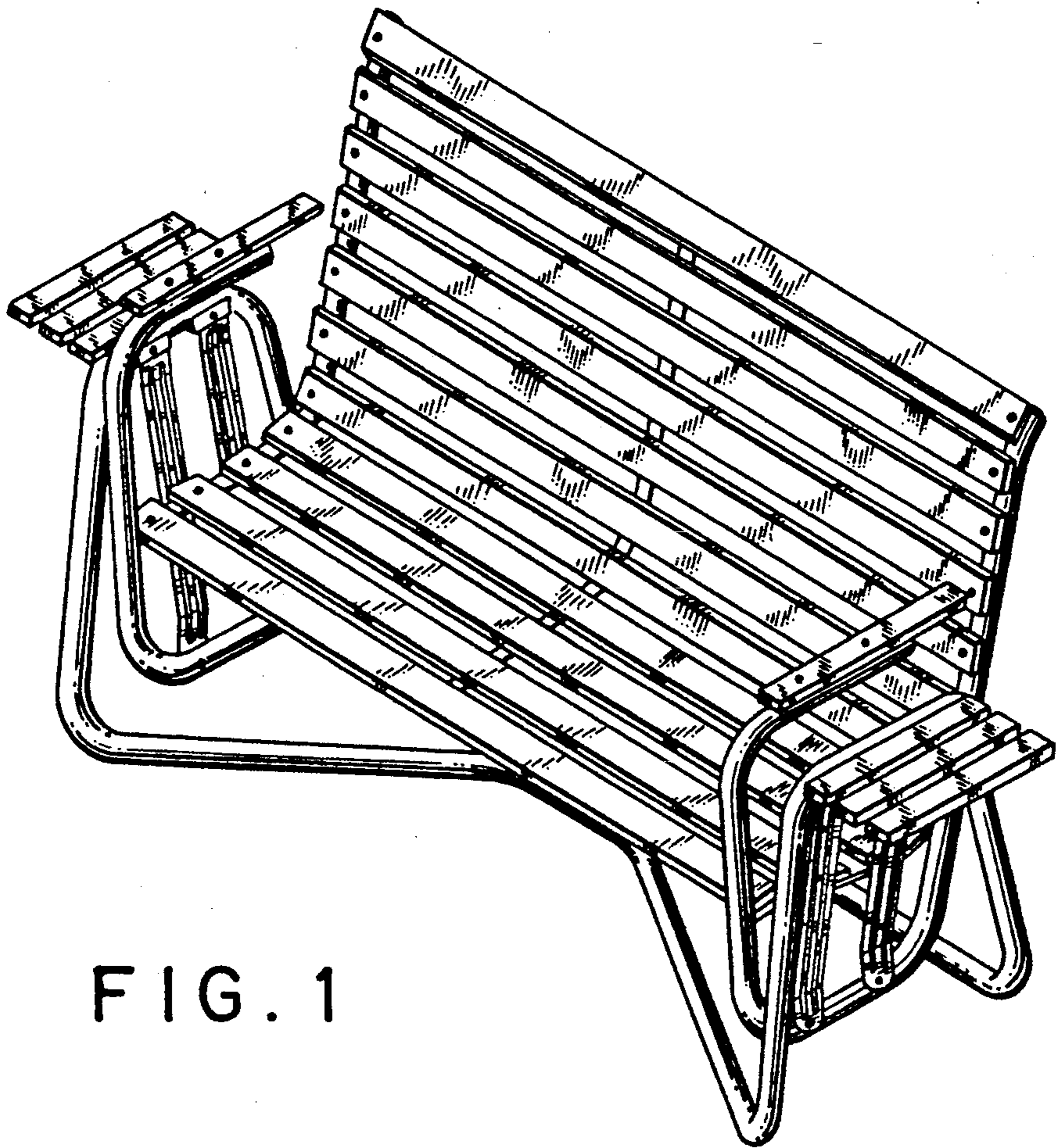


FIG. 1

FIG. 6

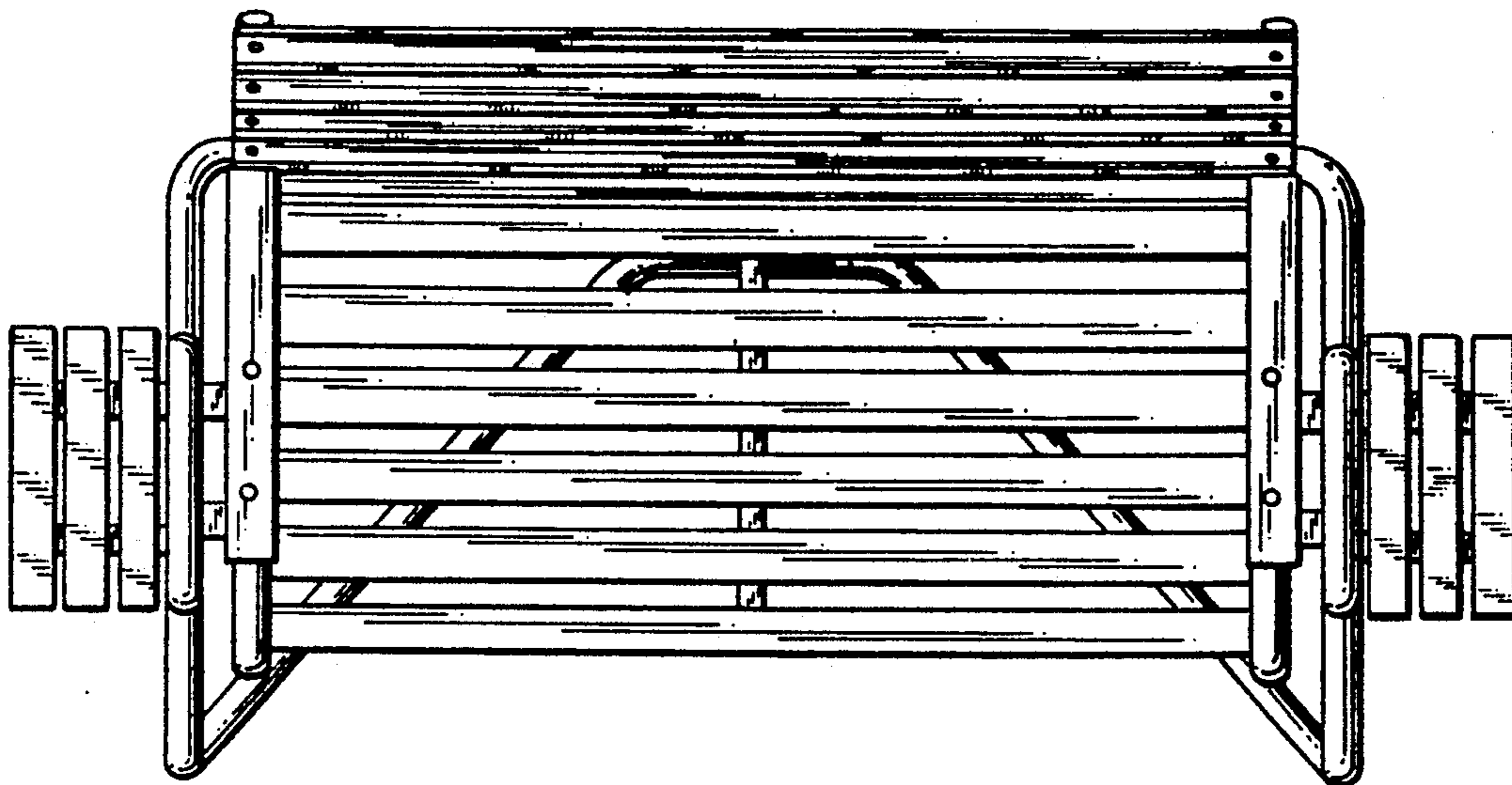


FIG. 2

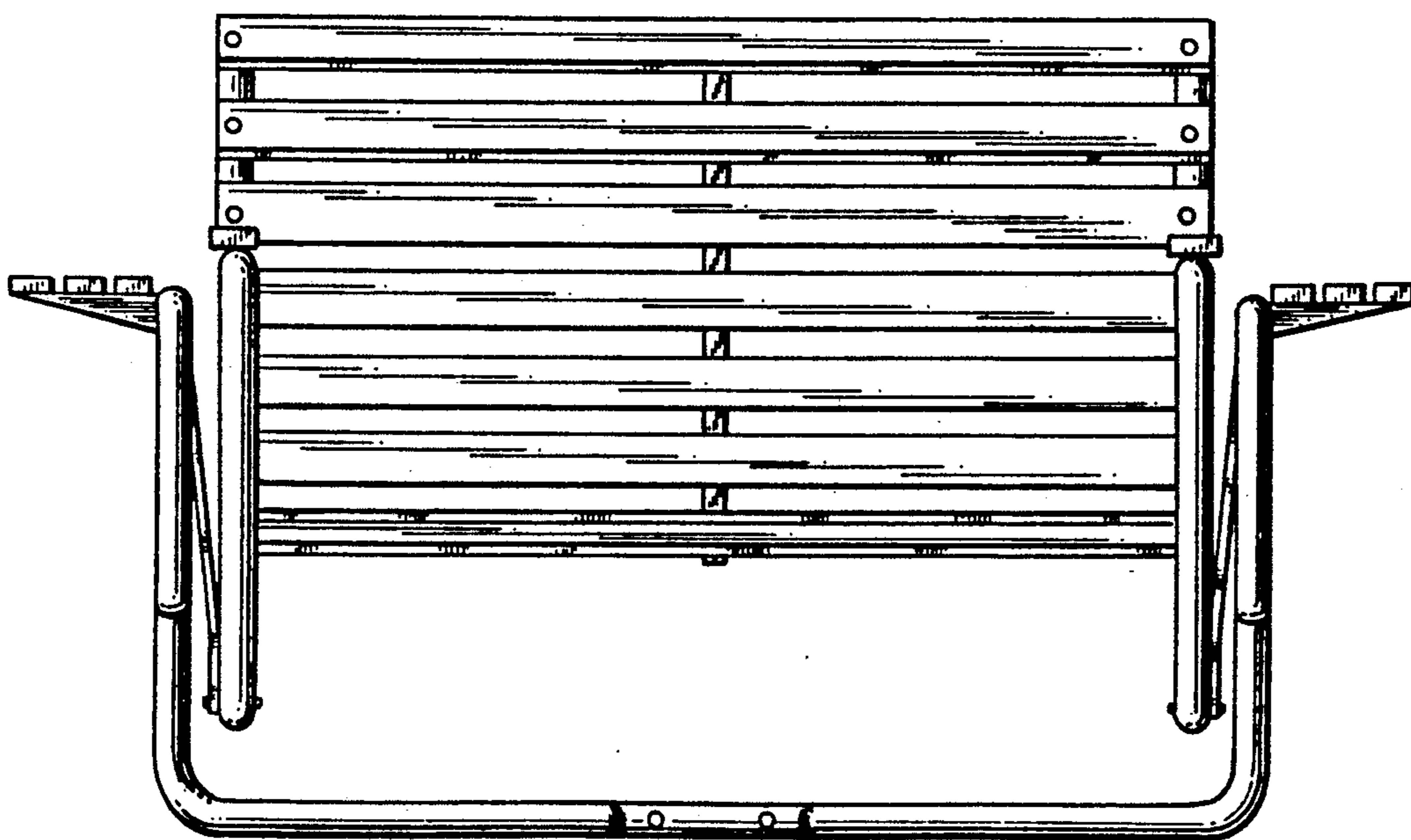


FIG. 7

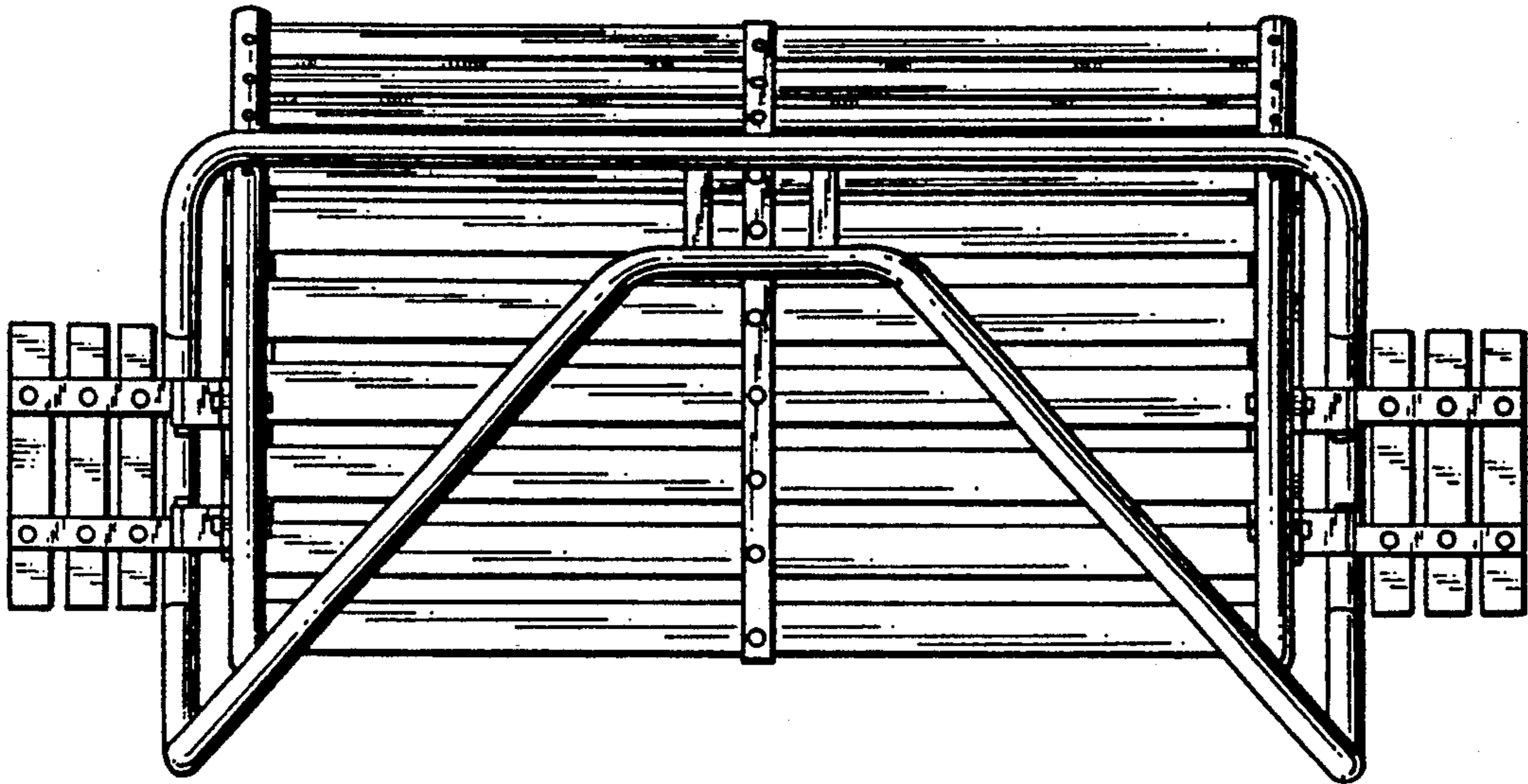


FIG. 3

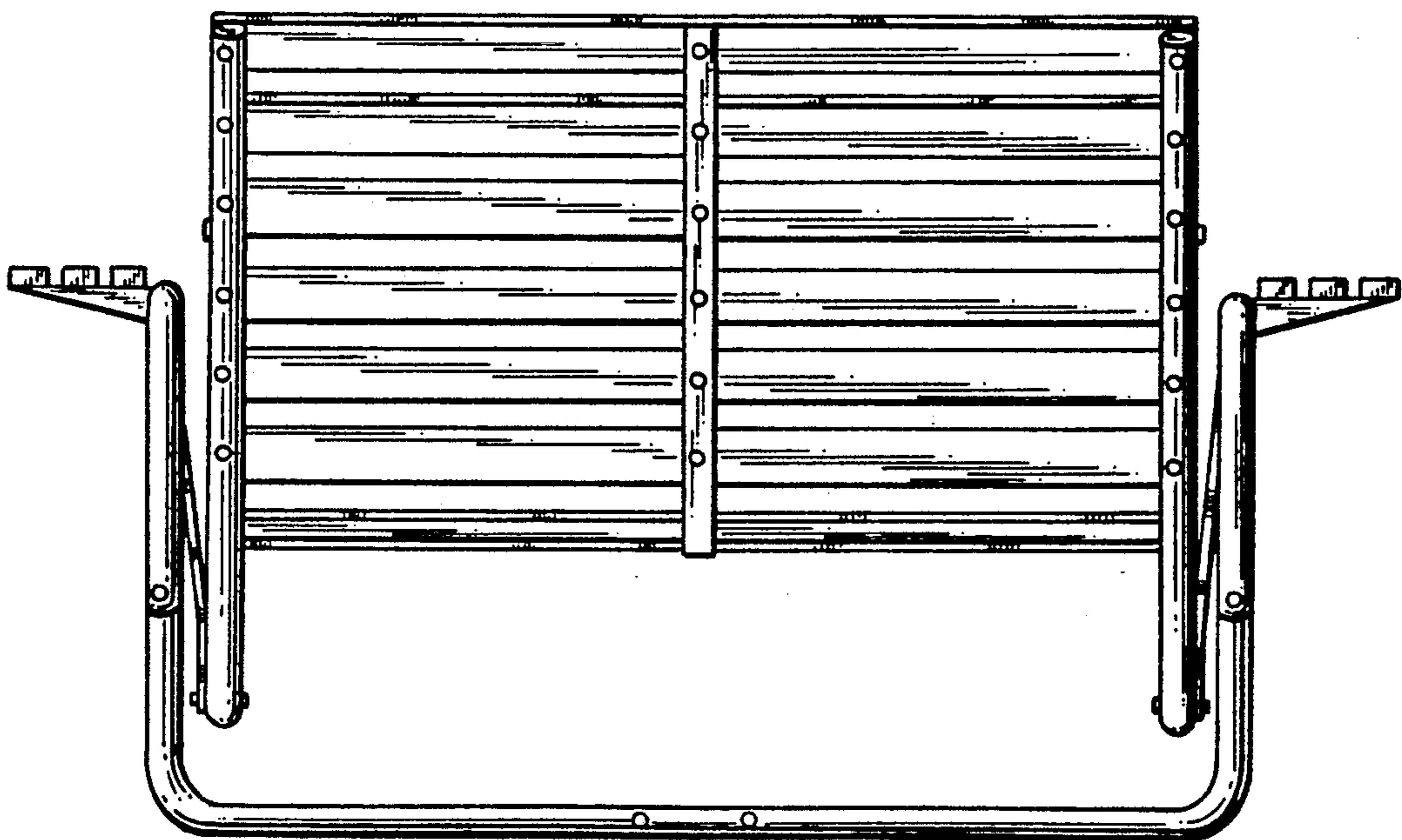


FIG. 4

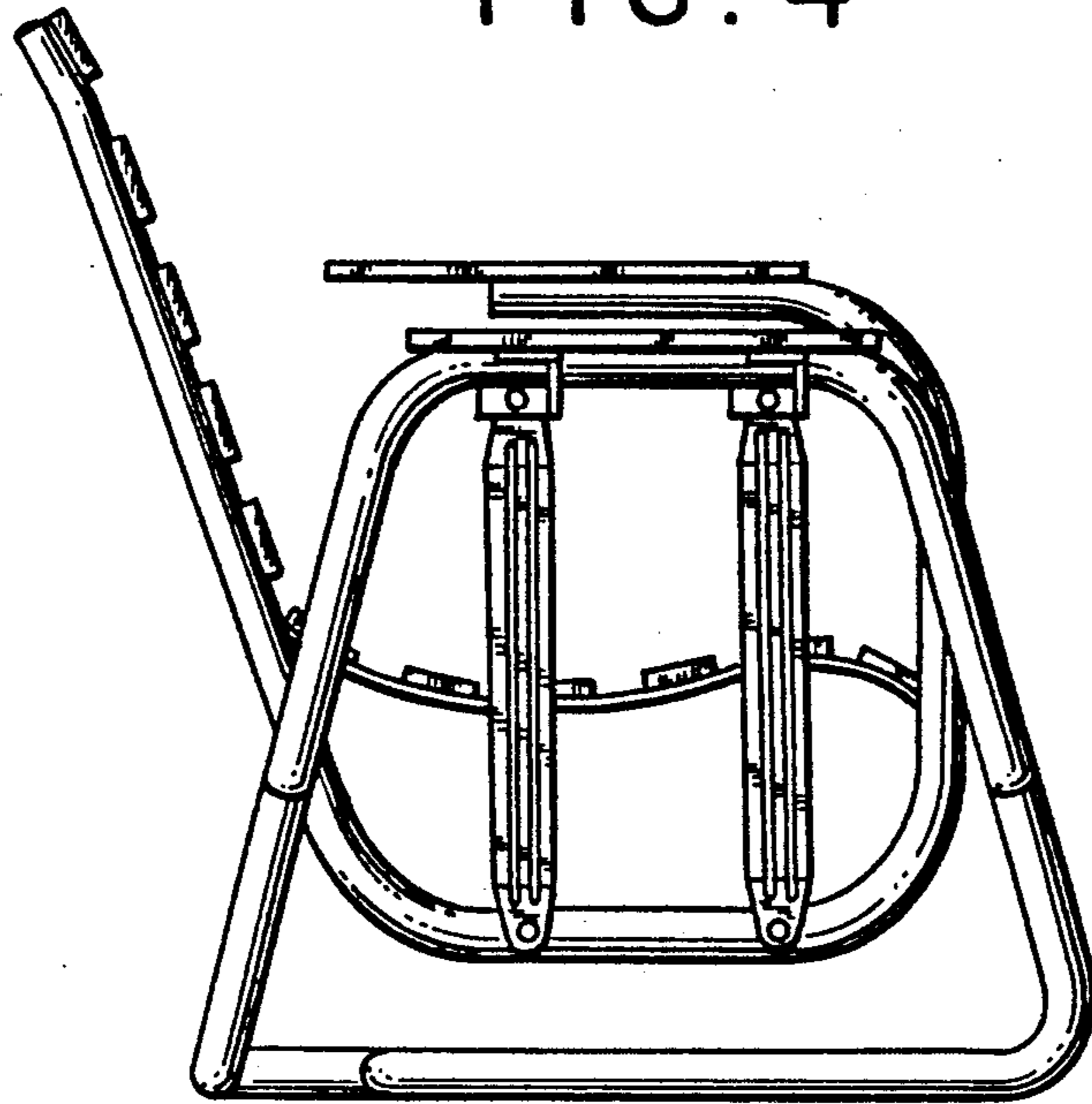


FIG. 5

