



US00D338560S

United States Patent [19]

[11] Patent Number: **Des. 338,560**

Lundy

[45] Date of Patent: **** Aug. 24, 1993**

[54] **GOLF CART PULLING ATTACHMENT**

[76] Inventor: **Robert E. Lundy, 123 Willow Glen Dr., Kalispell, Mont. 59901**

[**] Term: **14 Years**

[21] Appl. No.: **745,689**

[22] Filed: **Sep. 4, 1991**

[52] U.S. Cl. **D3/104; D3/37; D34/27**

[58] Field of Search **D34/27, 15; 280/DIG. 6, 280/62, 47.34, 1.5, 47.26, 504; D3/100, 104, 36, 37**

[56] **References Cited**

U.S. PATENT DOCUMENTS

2,559,981	7/1951	McBride	280/1.5
3,305,244	2/1967	Flagg	280/1.5
3,311,385	3/1967	Frantz	280/1.5
3,328,043	6/1967	Johnson	280/1.5

3,334,910	8/1967	Wilson	280/35
3,926,448	12/1975	Reichard	280/DIG. 6
4,676,464	6/1987	Reimers	248/96
4,768,650	9/1988	Chancellor	206/315.3

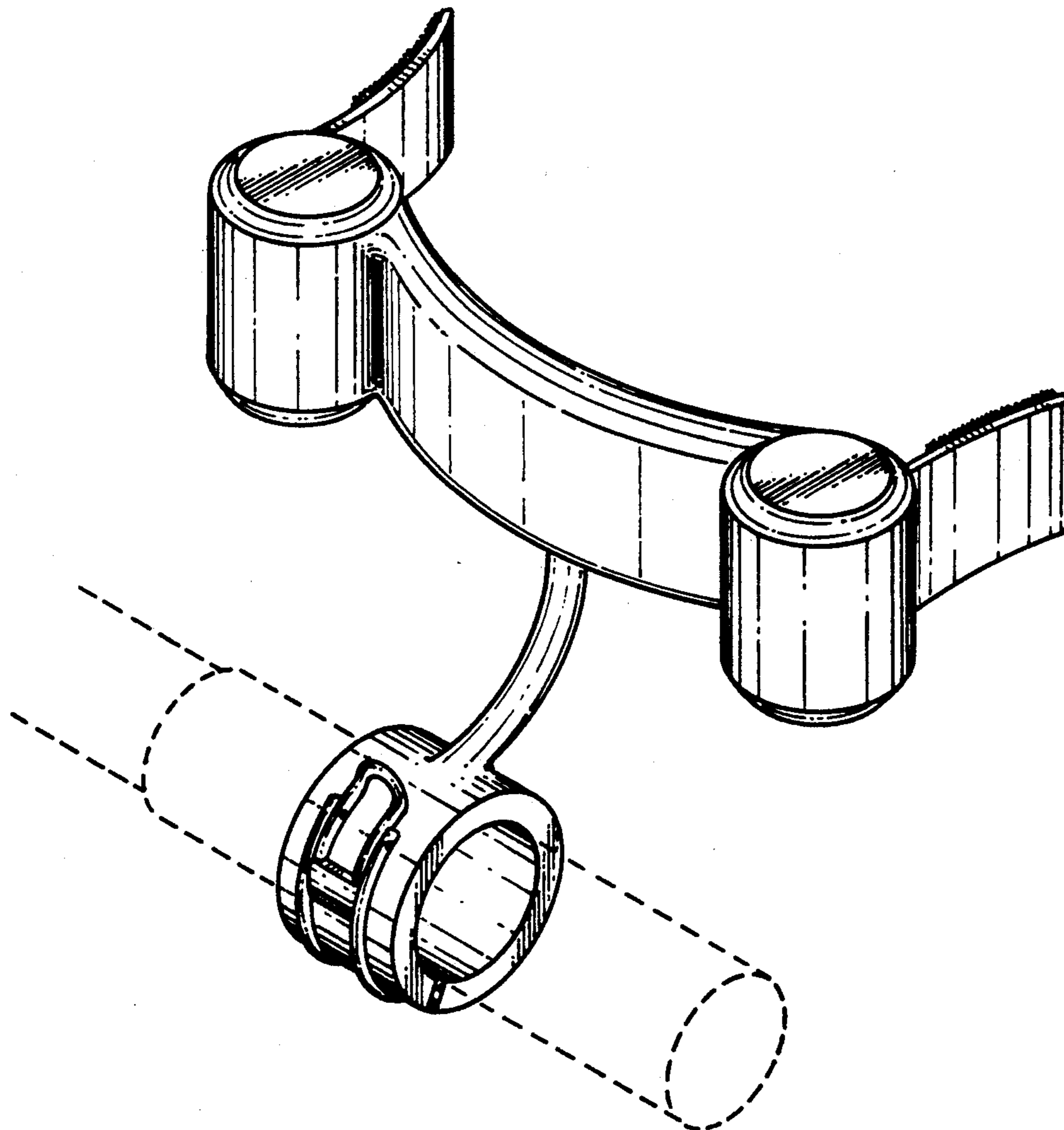
Primary Examiner—Kay H. Chin
Attorney, Agent, or Firm—Terry M. Gernstein

[57] **CLAIM**

The ornamental design for a golf cart pulling attachment, as shown and described.

DESCRIPTION

FIG. 1 is a perspective view of the golf cart pulling attachment embodying the design of the present invention;
FIG. 2 is a front elevational view thereof;
FIG. 3 is a rear elevational view thereof;
FIG. 4 is a side elevational view thereof;
FIG. 5 is a side elevational view thereof;
FIG. 6 is a top plan view thereof; and,
FIG. 7 is a bottom view thereof.



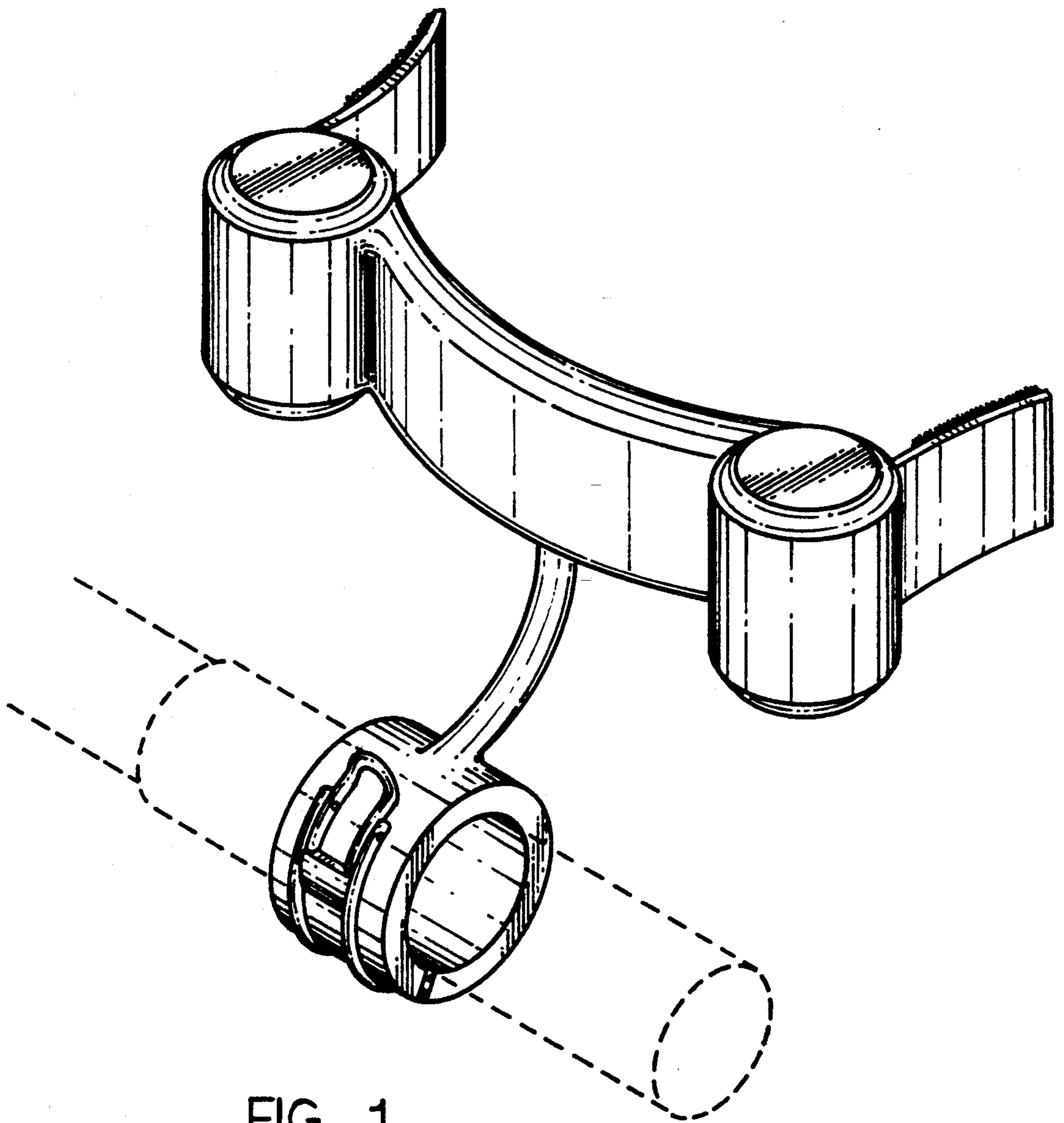


FIG. 1

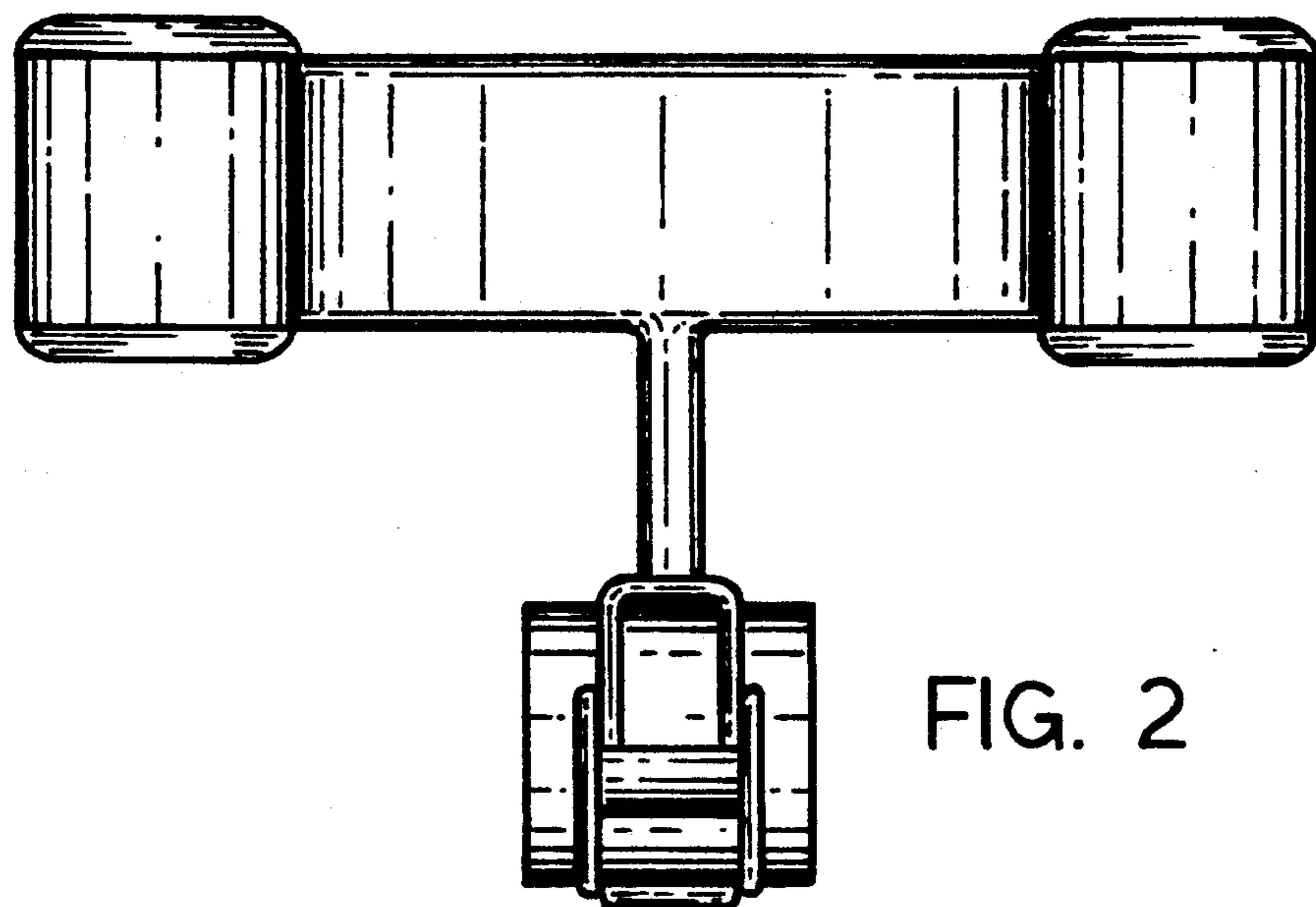


FIG. 2

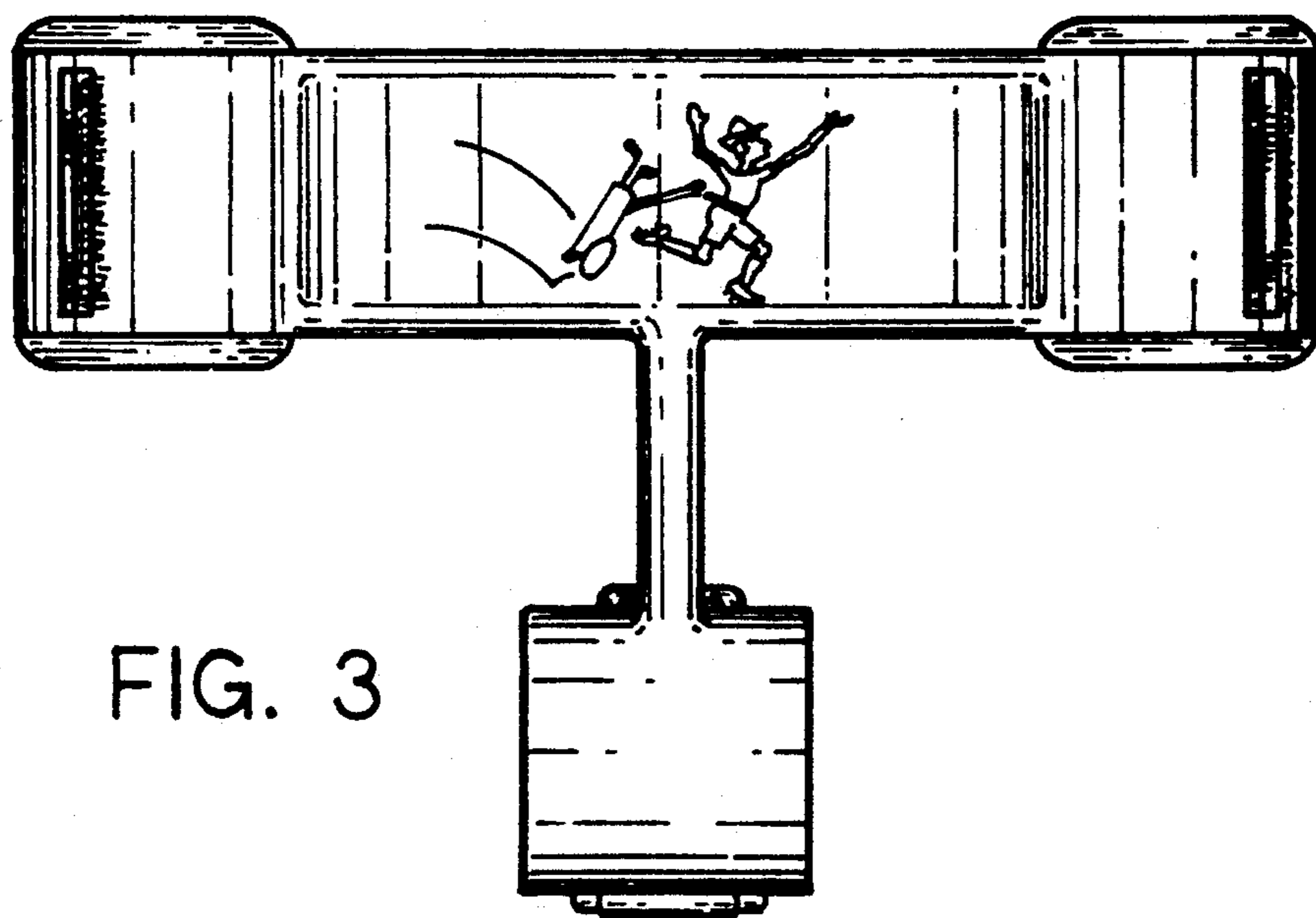


FIG. 3

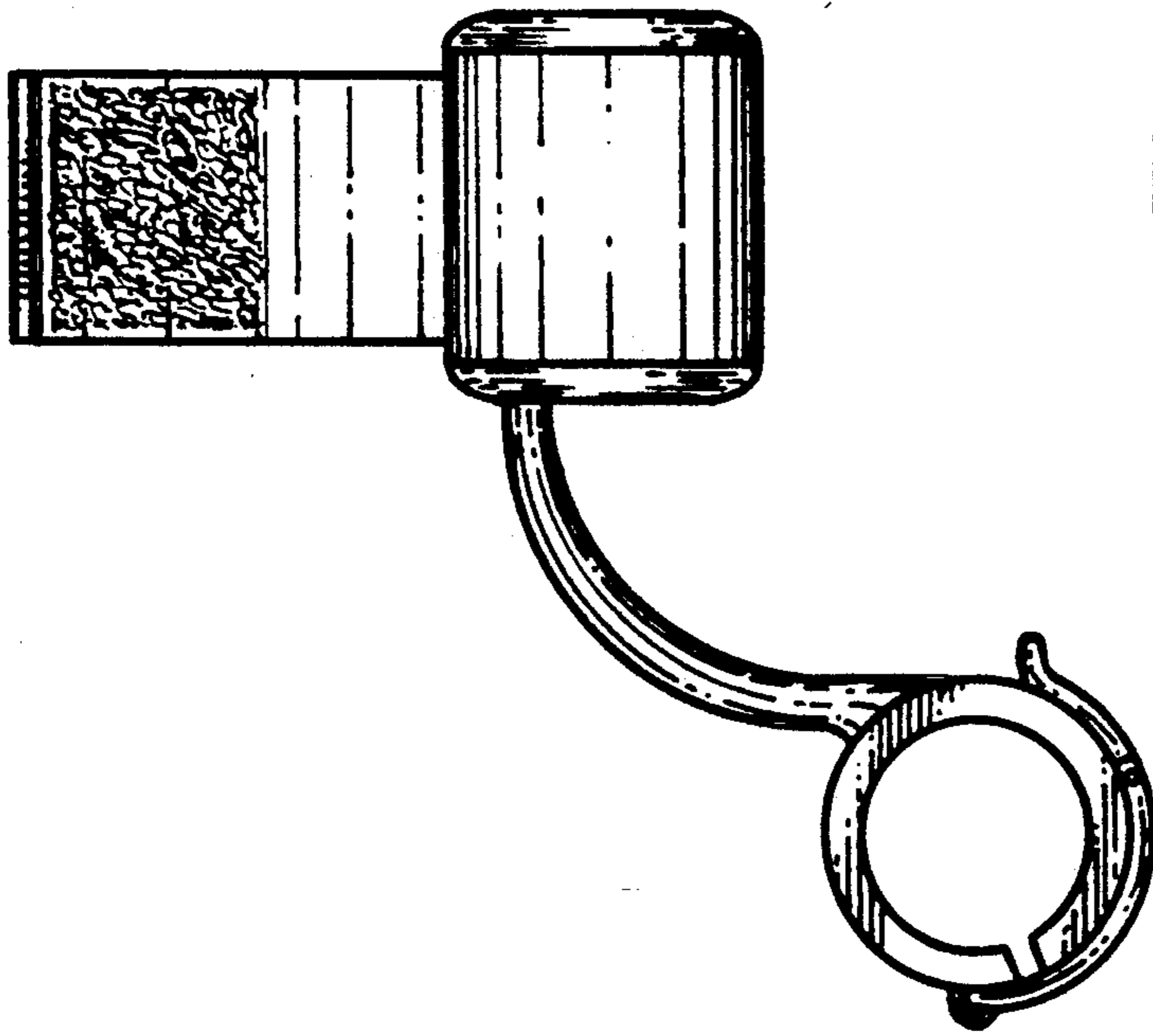


FIG. 4

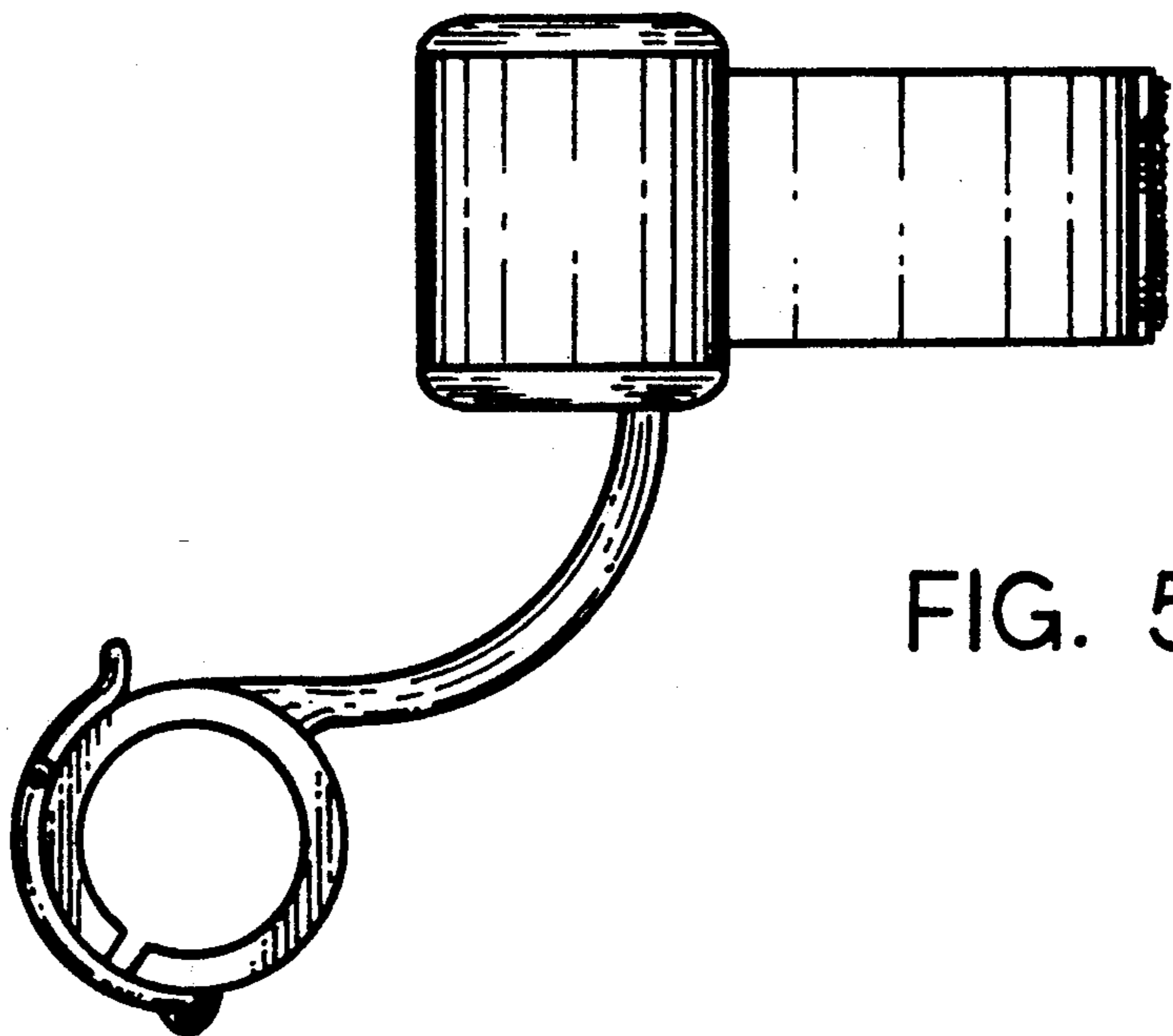


FIG. 5

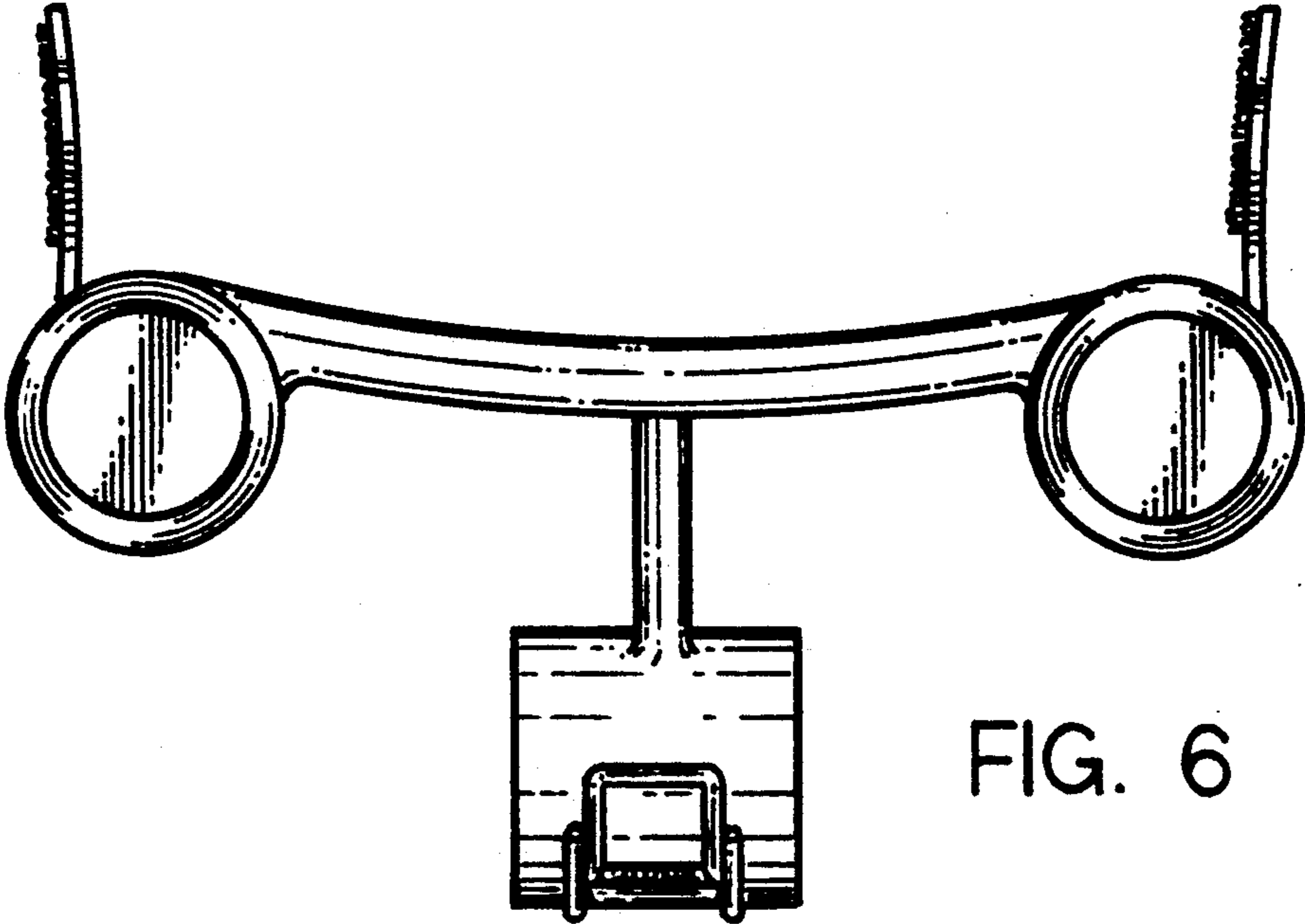


FIG. 6

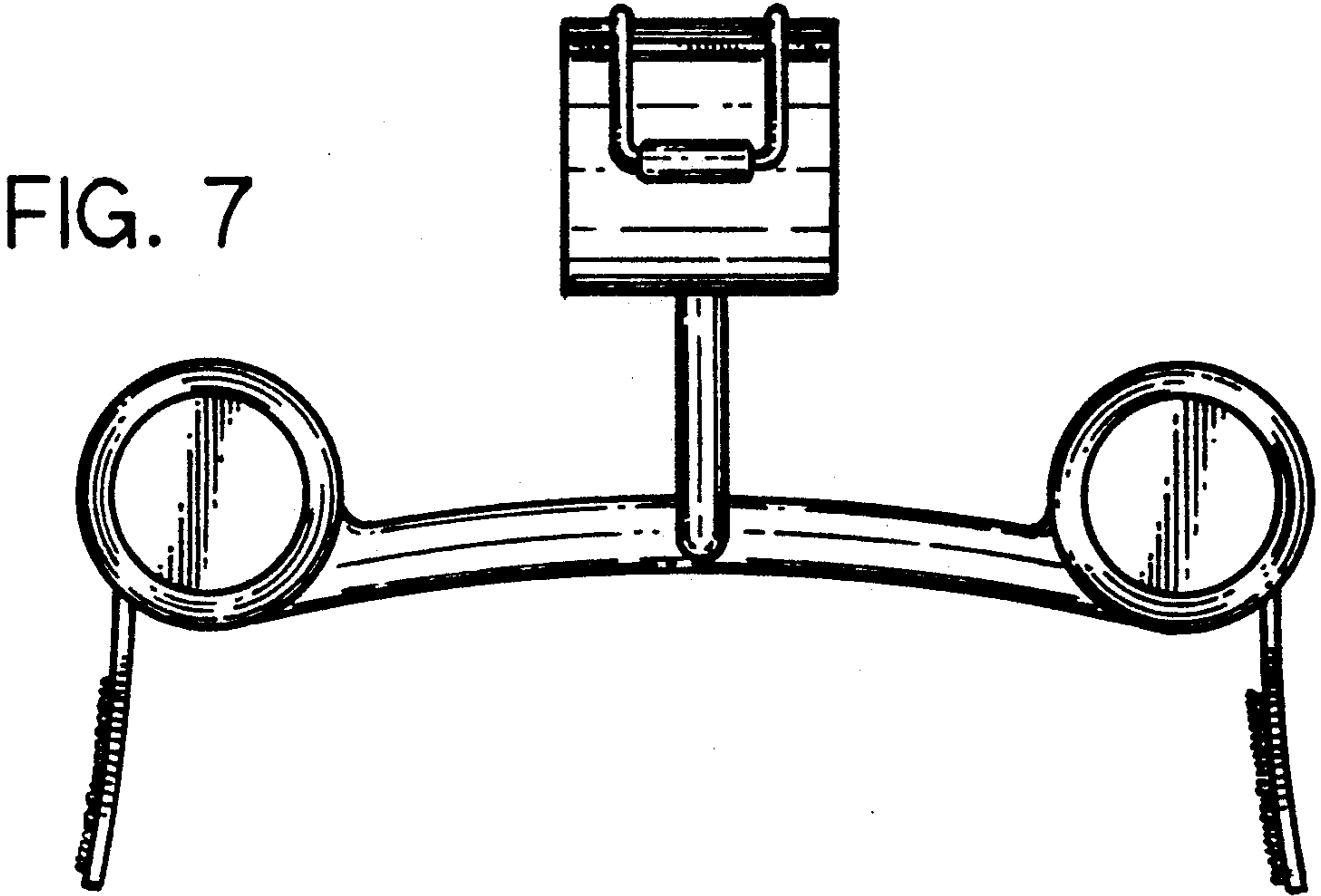


FIG. 7