



US00D338557S

United States Patent [19]

[11] Patent Number: **Des. 338,557**

Papernik

[45] Date of Patent: **** Aug. 24, 1993**

- [54] **LADIES EVENING HANDBAG WITH REFLECTIVE SURFACES**
- [76] Inventor: **Karen A. Papernik, 9 Mandia La., Goldens Bridge, N.Y. 10526**
- [**] Term: **14 Years**
- [21] Appl. No.: **744,020**
- [22] Filed: **Aug. 13, 1991**
- [52] U.S. Cl. **D3/52**
- [58] Field of Search **D3/39, 47-54, D3/56-60; 750/100, 131-136, 144-149, 139, 103-106, 112-114, 118; 190/100, 107, 110, 103; 383/104, 120, 907**

FOREIGN PATENT DOCUMENTS

443296 4/1927 Fed. Rep. of Germany 150/106
 4615 of 1881 United Kingdom D3/54

Primary Examiner—Louis S. Zarfes
Attorney, Agent, or Firm—Lackenbach Siegel Marzullo & Aronson

[57] CLAIM

An ornamental design for a ladies evening handbag with reflective surfaces, as shown.

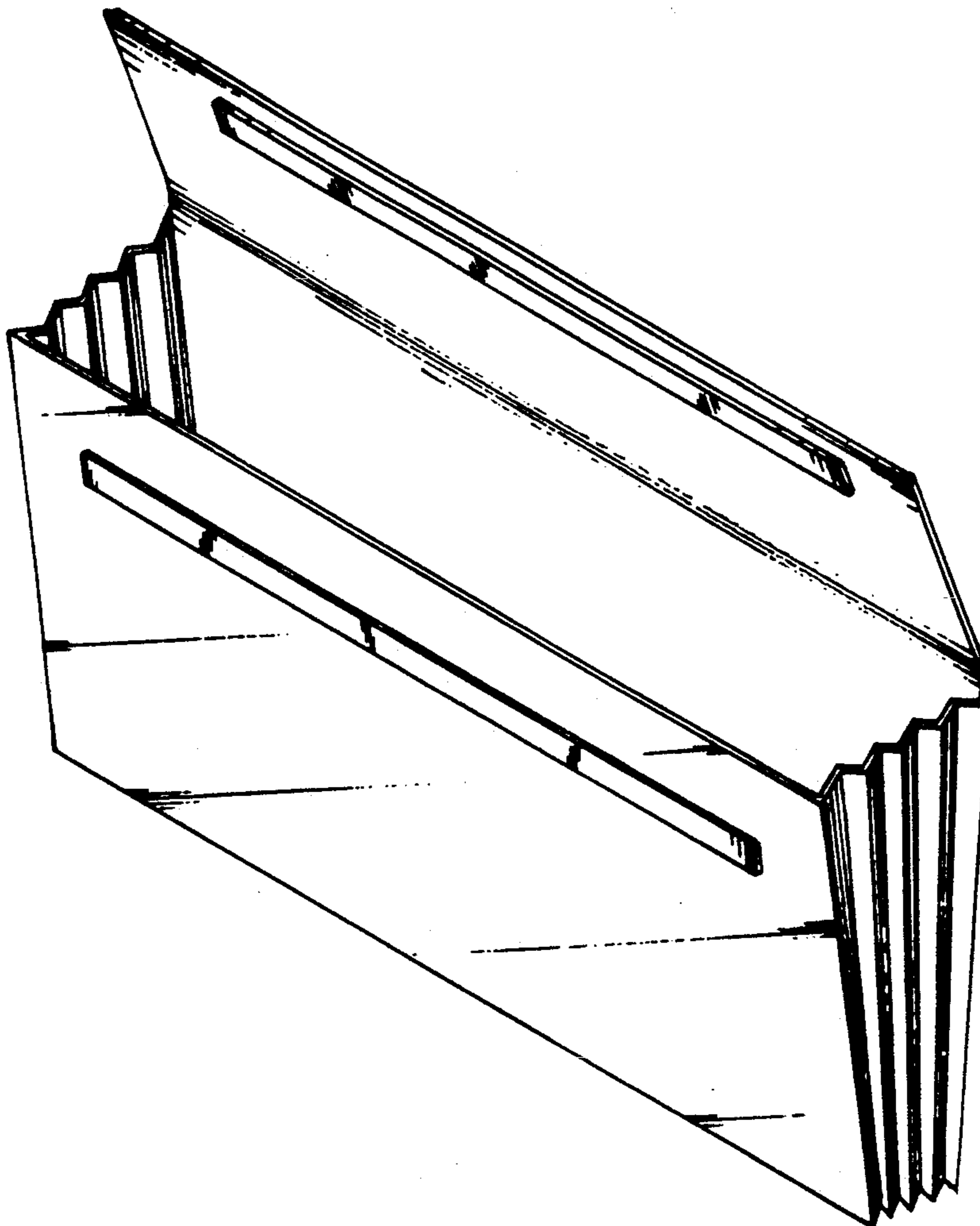
DESCRIPTION

FIG. 1 is a semi-perspective view of the ladies evening handbag with reflective surfaces according to my new design;
 FIG. 2 is a front elevational view thereof closed;
 FIG. 3 is a rear elevational view thereof;
 FIG. 4 is a top plan view thereof;
 FIG. 5 is a bottom plan view thereof;
 FIG. 6 is a left-hand side elevational view thereof; and,
 FIG. 7 is a right-hand side elevational view thereof.

[56] References Cited

U.S. PATENT DOCUMENTS

D. 108,150	1/1938	Bautista	D3/39
152,875	7/1874	Smith	150/112
2,096,768	10/1937	Styll	190/103 X
4,020,930	5/1977	Weber	190/107 X



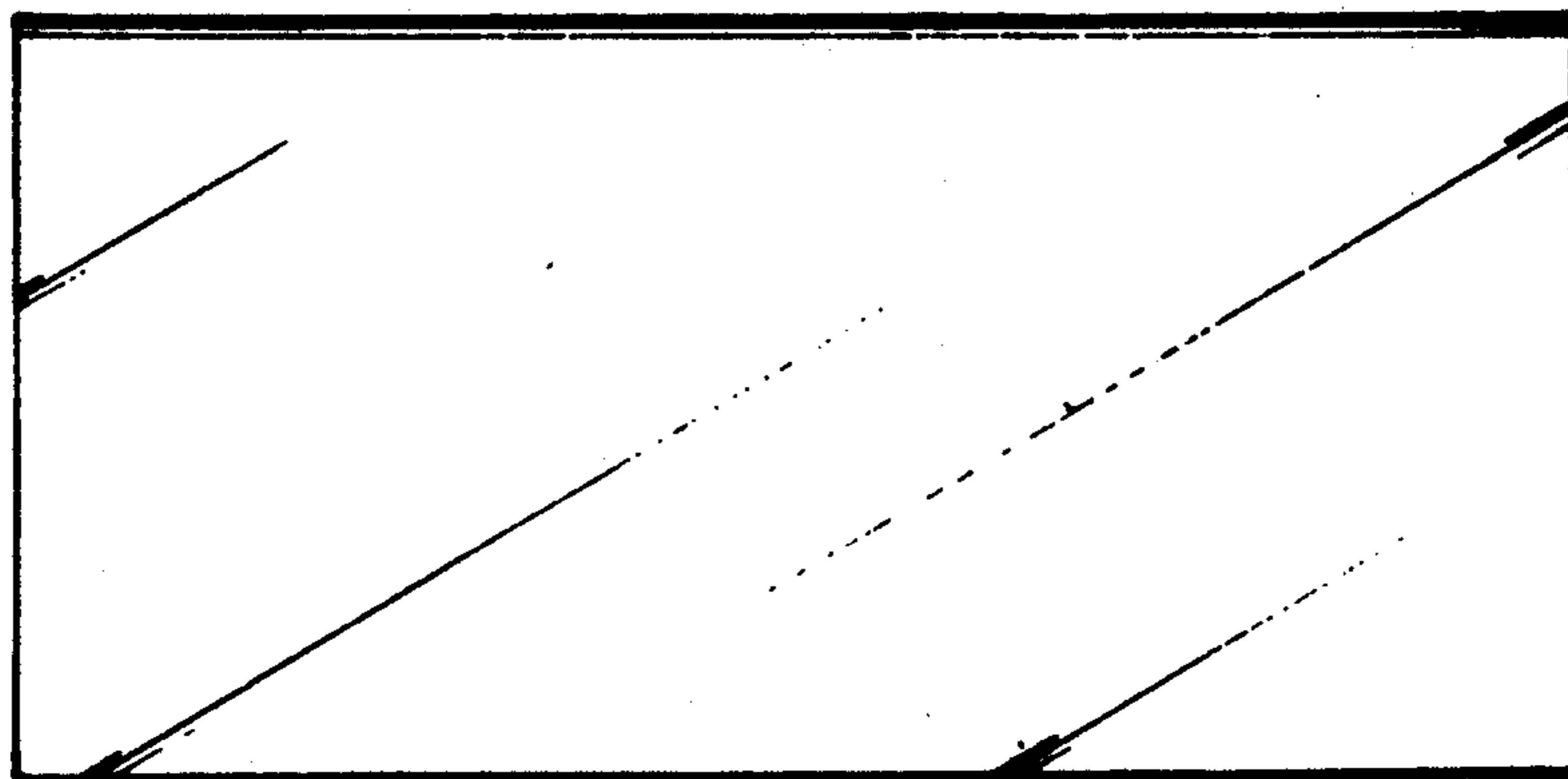
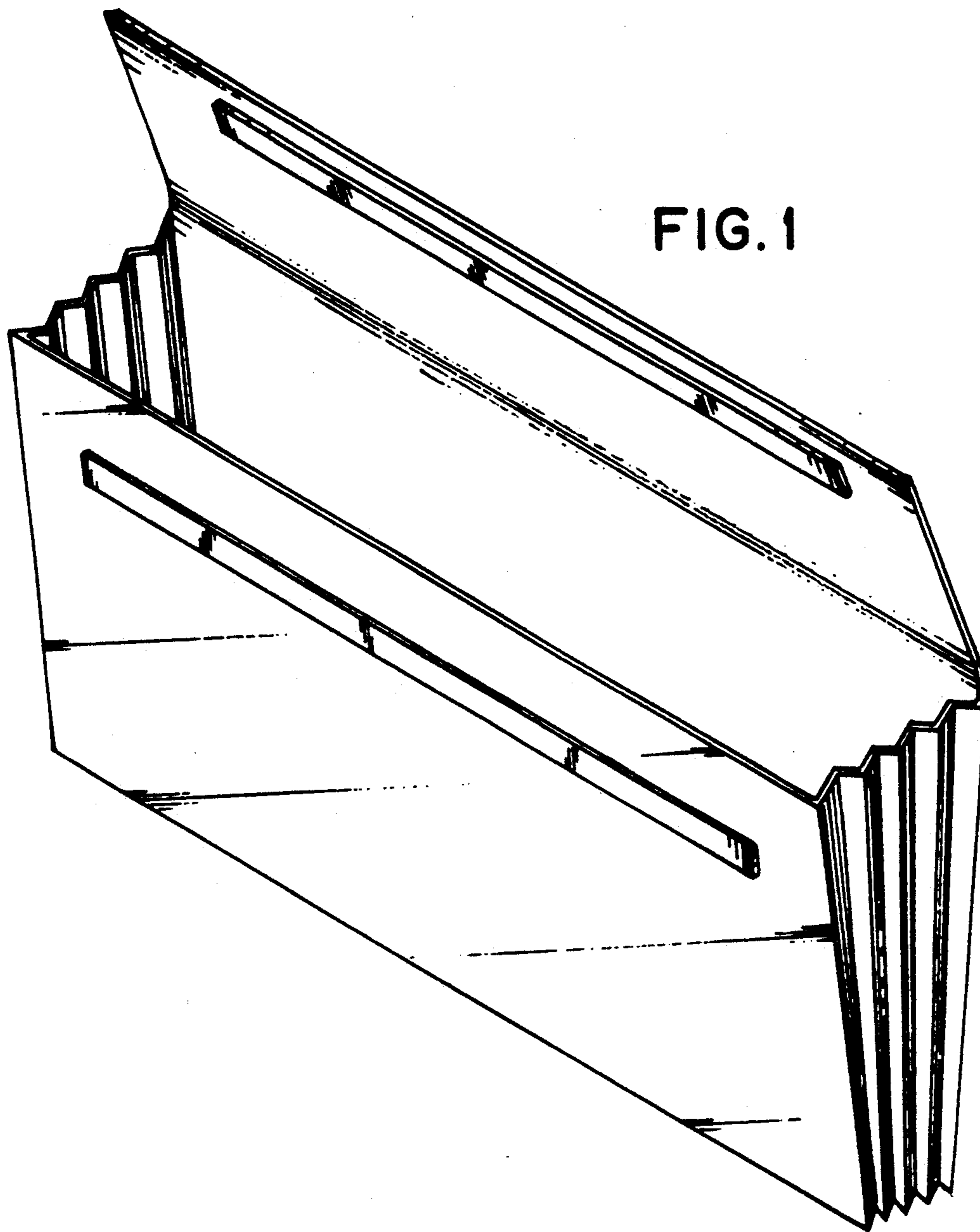


FIG. 3



FIG. 4

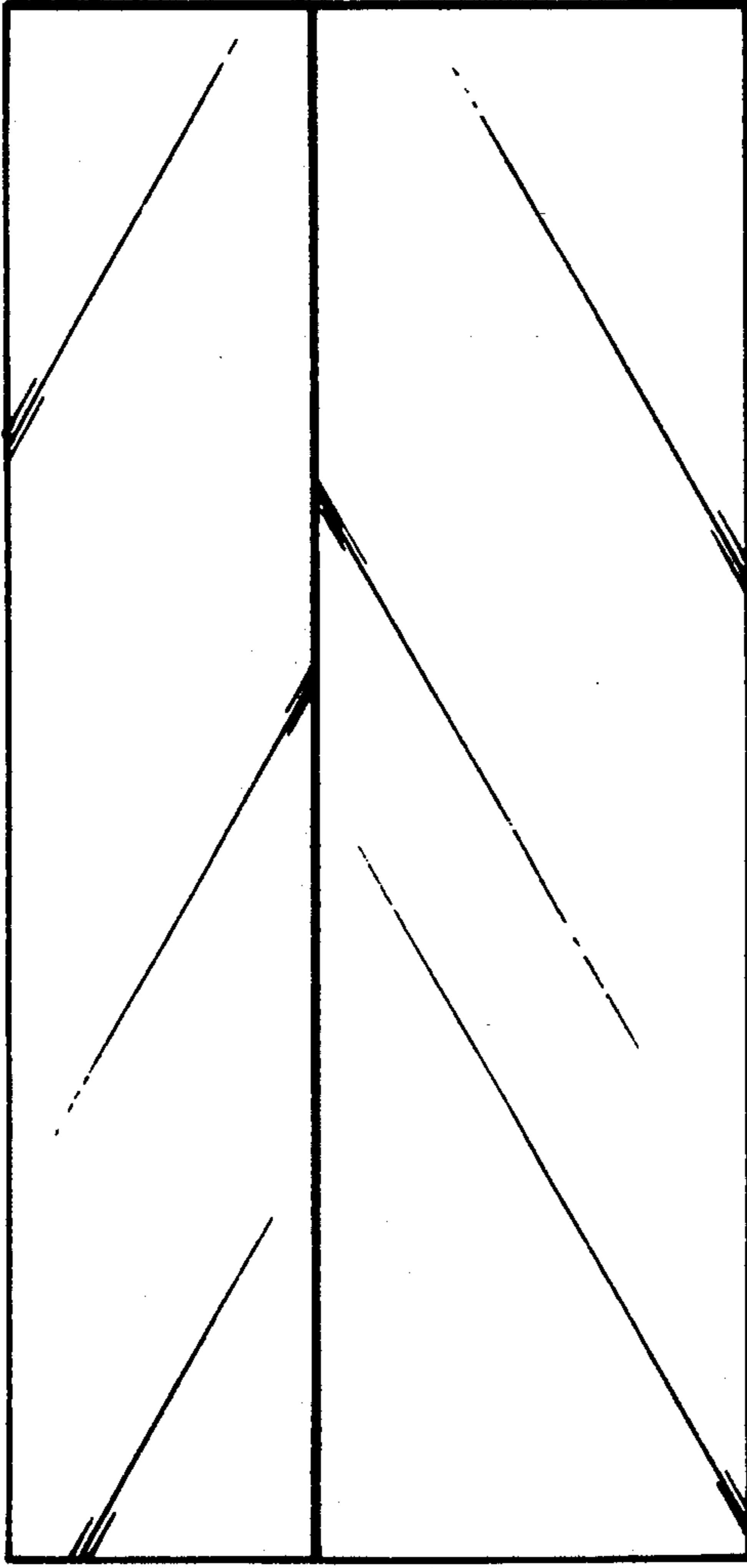


FIG. 2

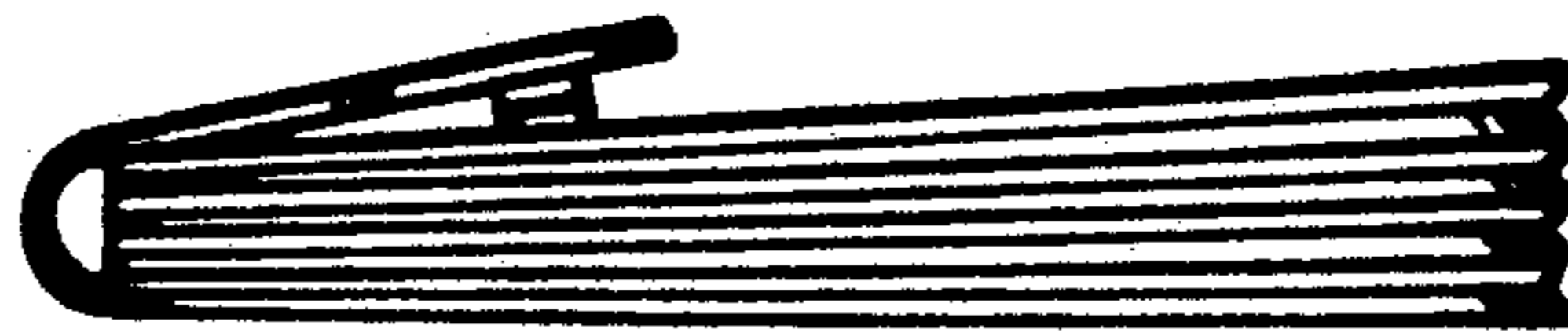


FIG. 6

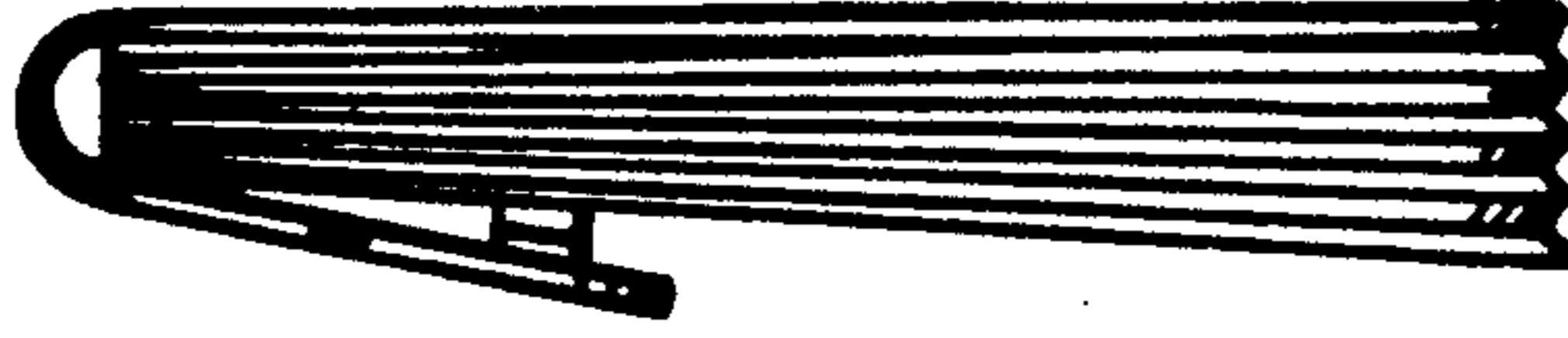


FIG. 7



FIG. 5