



US00D338556S

United States Patent [19]
McNamara

[11] **Patent Number: Des. 338,556**
[45] **Date of Patent: ** Aug. 24, 1993**

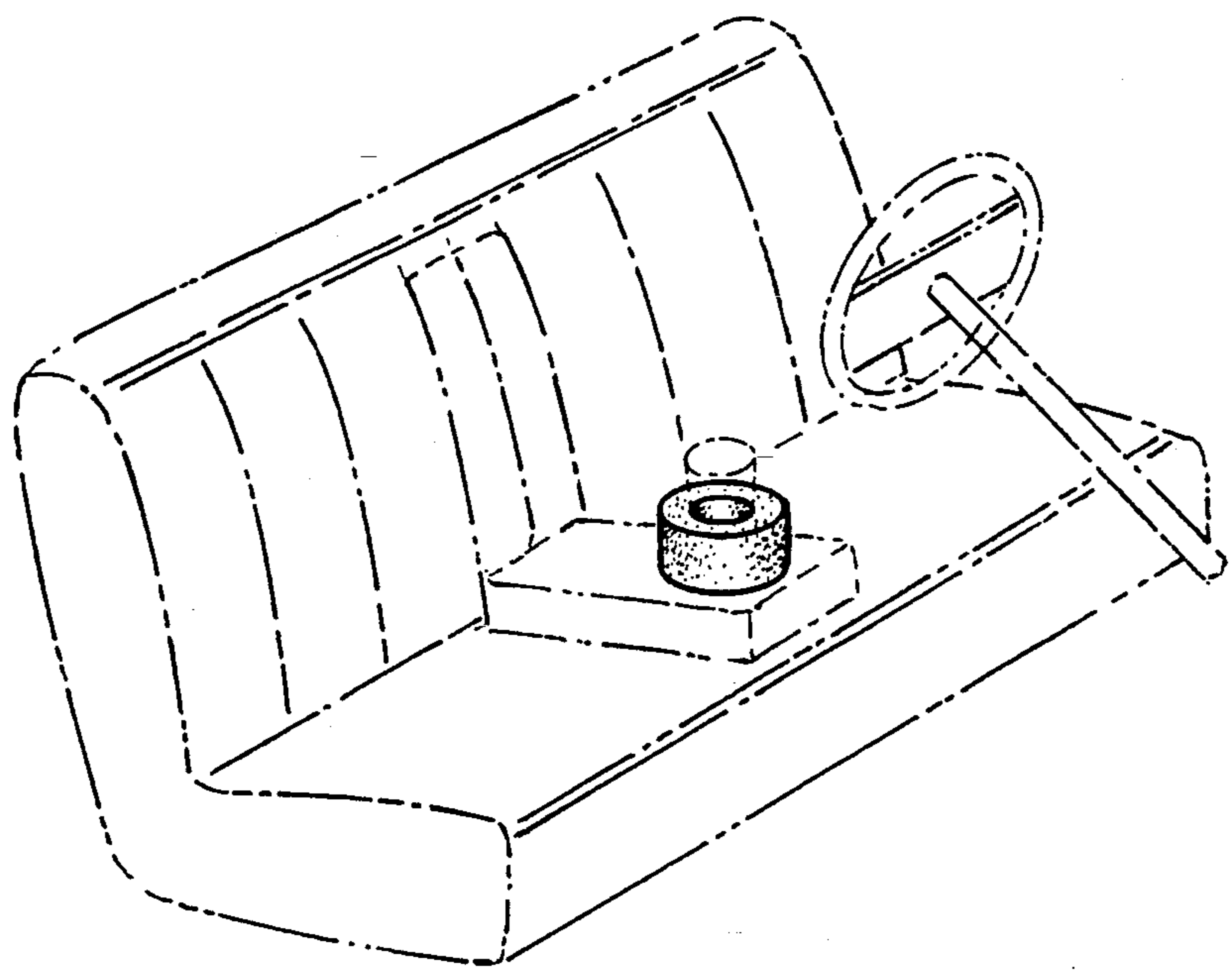
[54] **AUTOMOTIVE CUP HOLDER**
[76] **Inventor: Thomas H. McNamara, R.D. 2, Box 37, Branchville, N.J. 07824**
[**] **Term: 14 Years**
[21] **Appl. No.: 609,228**
[22] **Filed: Nov. 5, 1990**
[52] **U.S. Cl. D3/40; D7/620**
[58] **Field of Search D3/40; D12/155; D7/620; D24/206; 108/44-46; 224/42.77, 42.42, 308, 311, 318, 273, 275, 327, 329**

[56] **References Cited**
U.S. PATENT DOCUMENTS
4,344,303 8/1982 Kelly, Jr. D24/206 X

Primary Examiner—Louis S. Zarfes
Attorney, Agent, or Firm—Mathews, Woodbridge & Collins

[57] **CLAIM**
The ornamental design for an automotive cup holder, as shown and described.

DESCRIPTION
FIG. 1 is a perspective view of an automotive cup holder showing my new design in use;
FIG. 2 is a top plan view;
FIG. 3 is a bottom plan view; and,
FIG. 4 is a side elevational view.
The broken line showing of a cup and vehicle interior in FIG. 1 is for illustrative purposes only and forms no part of the claimed design.



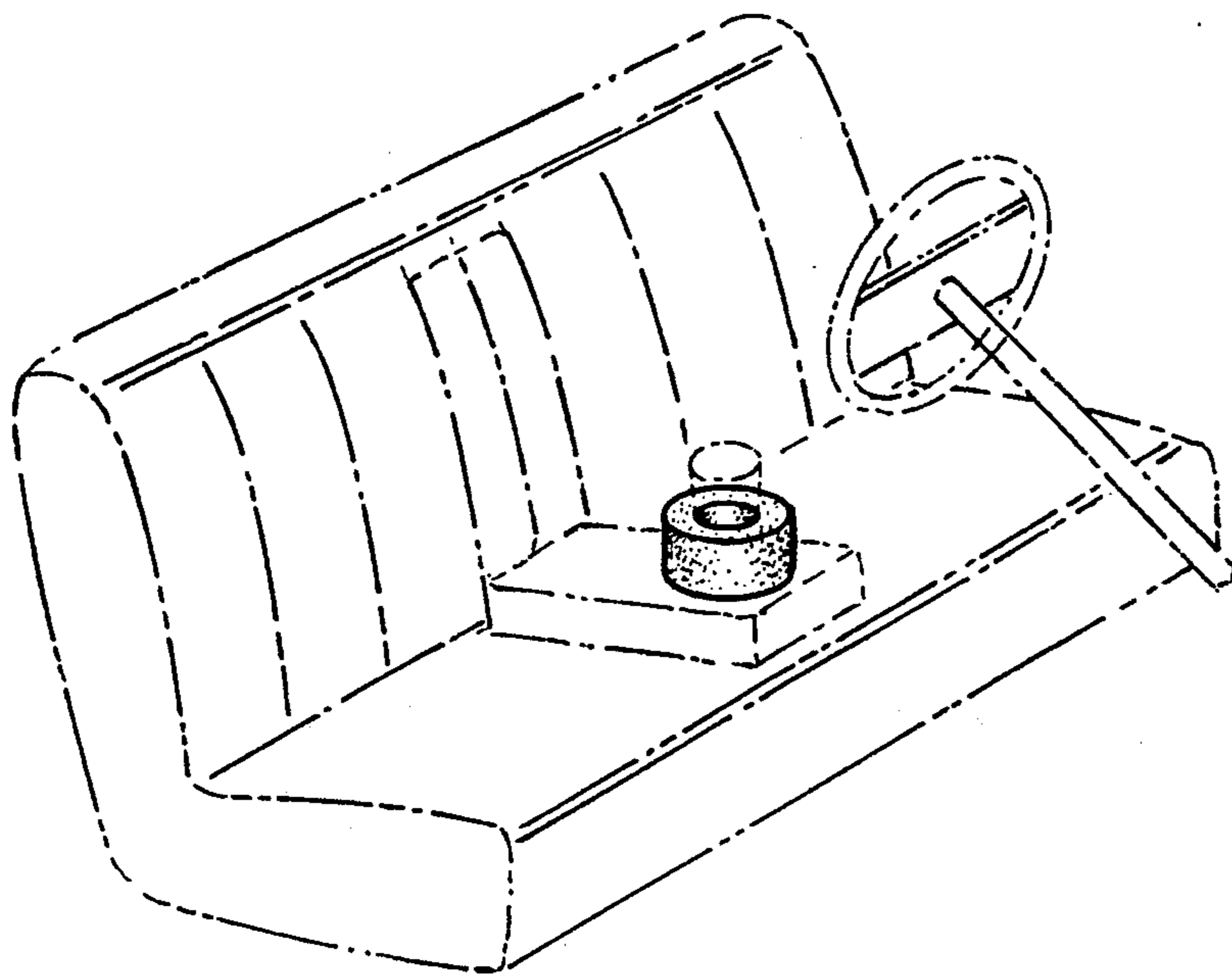


FIG. 1

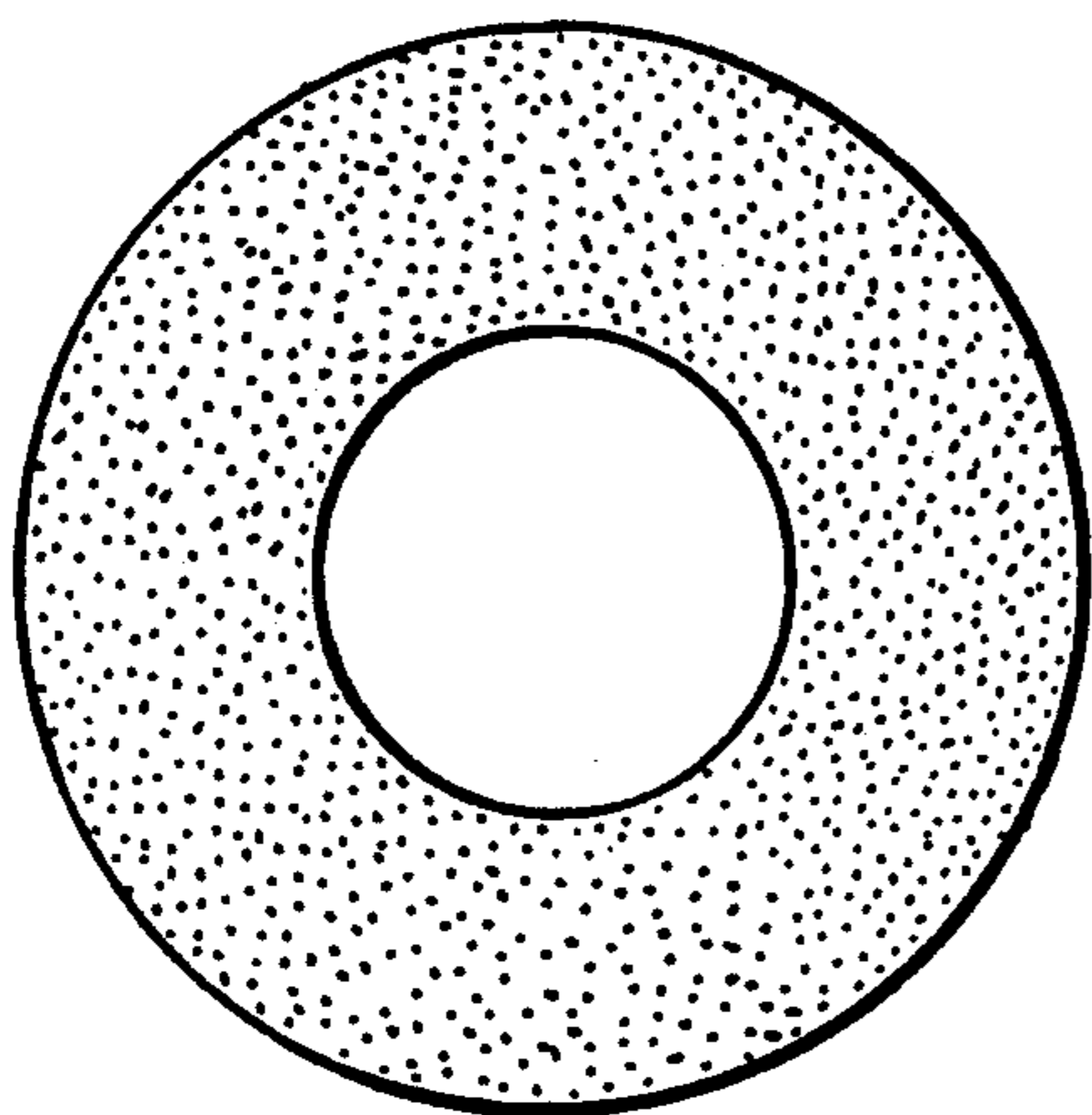


FIG. 2

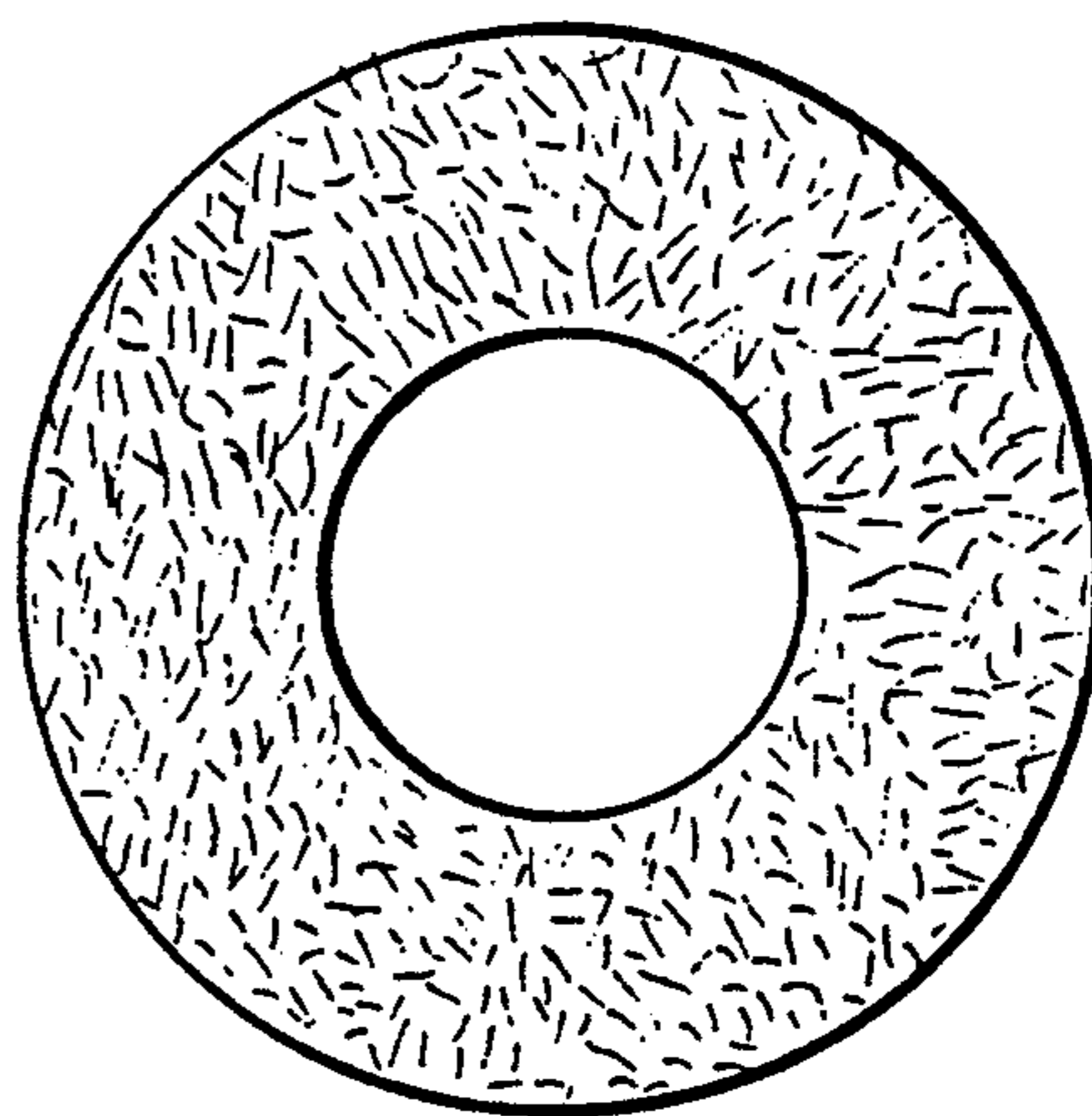


FIG. 3

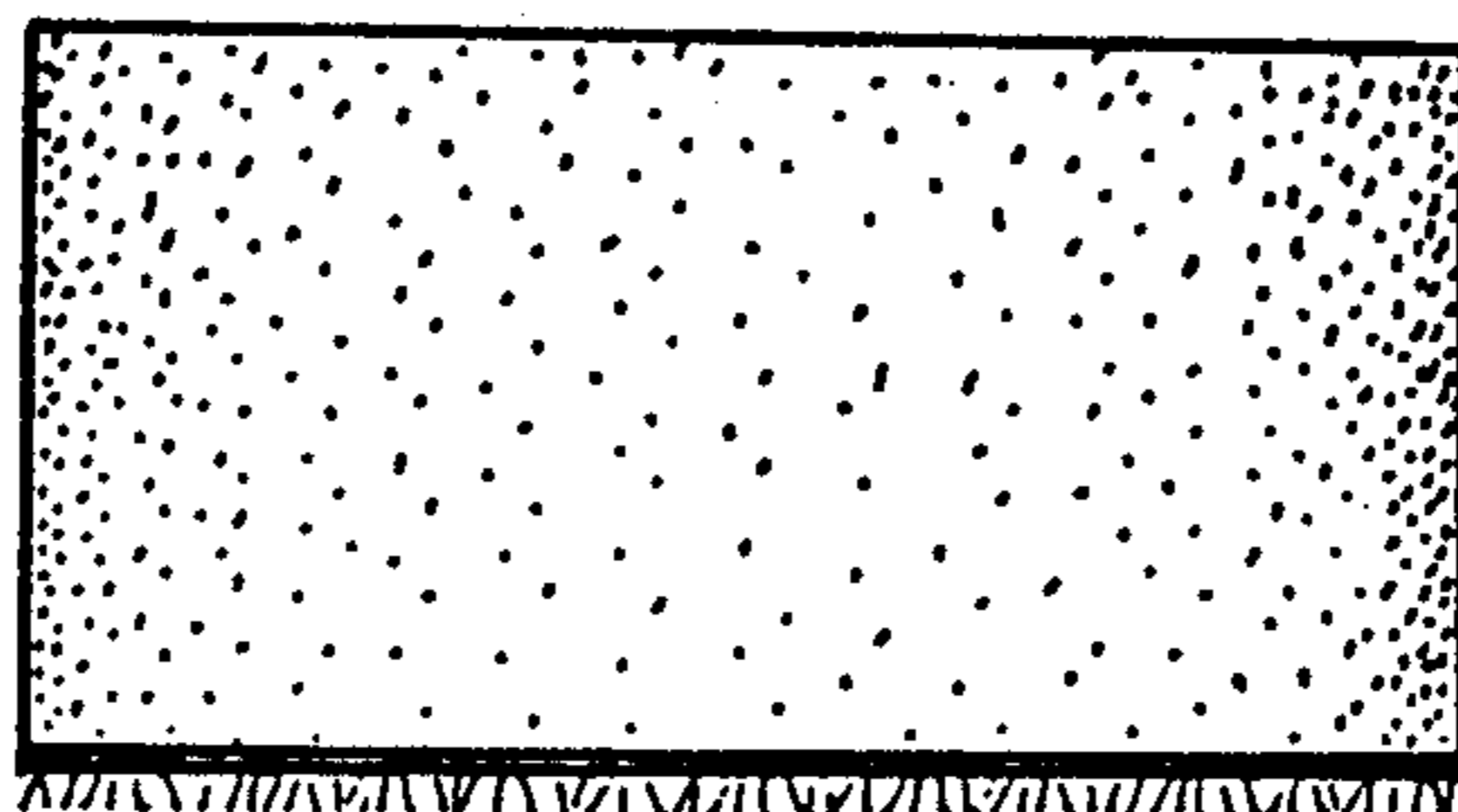


FIG. 4